



US00D443837S

(12) **United States Design Patent**
Elvin et al.

(10) **Patent No.:** **US D443,837 S**

(45) **Date of Patent:** **** Jun. 19, 2001**

(54) **MICROWAVE PROBE**

(75) Inventors: **Niklas Elvin**, Grums; **Joakim Kullander**, Säffle, both of (SE)

(73) Assignee: **BTG Källe Inventing AB** (SE)

(**) Term: **14 Years**

(21) Appl. No.: **29/128,587**

(22) Filed: **Aug. 25, 2000**

(30) **Foreign Application Priority Data**

Feb. 25, 2000 (SE) 00-0383

(51) **LOC (7) Cl.** **10-04**

(52) **U.S. Cl.** **D10/47; 10/78**

(58) **Field of Search** D10/47, 78; 600/2;
250/363.08, 366, 370.09, 370.11, 374, 385.1,
389, 394; 601/15; 378/98.3, 98.6, 102,
116; 606/14, 31, 33; 607/101, 102, 156;
128/504, 804

(56) **References Cited**

U.S. PATENT DOCUMENTS

D. 423,377 * 4/2000 Atterbury et al. D10/78

5,190,054 * 3/1993 Fetter et al. 128/804

5,531,662 * 7/1996 Carr 600/2

6,026,331 * 2/2000 Feldberg et al. 607/102

* cited by examiner

Primary Examiner—Antoine Duval Davis

(74) *Attorney, Agent, or Firm*—Ostrolenk, Faber, Gerb & Soffen, LLP

(57) **CLAIM**

The ornamental design for a microwave probe, as shown and described.

DESCRIPTION

FIG. 1 is a front, left side top perspective of a microwave probe showing my new design;

FIG. 2 is a rear perspective view thereof;

FIG. 3 is a left side view thereof;

FIG. 4 is a top view thereof;

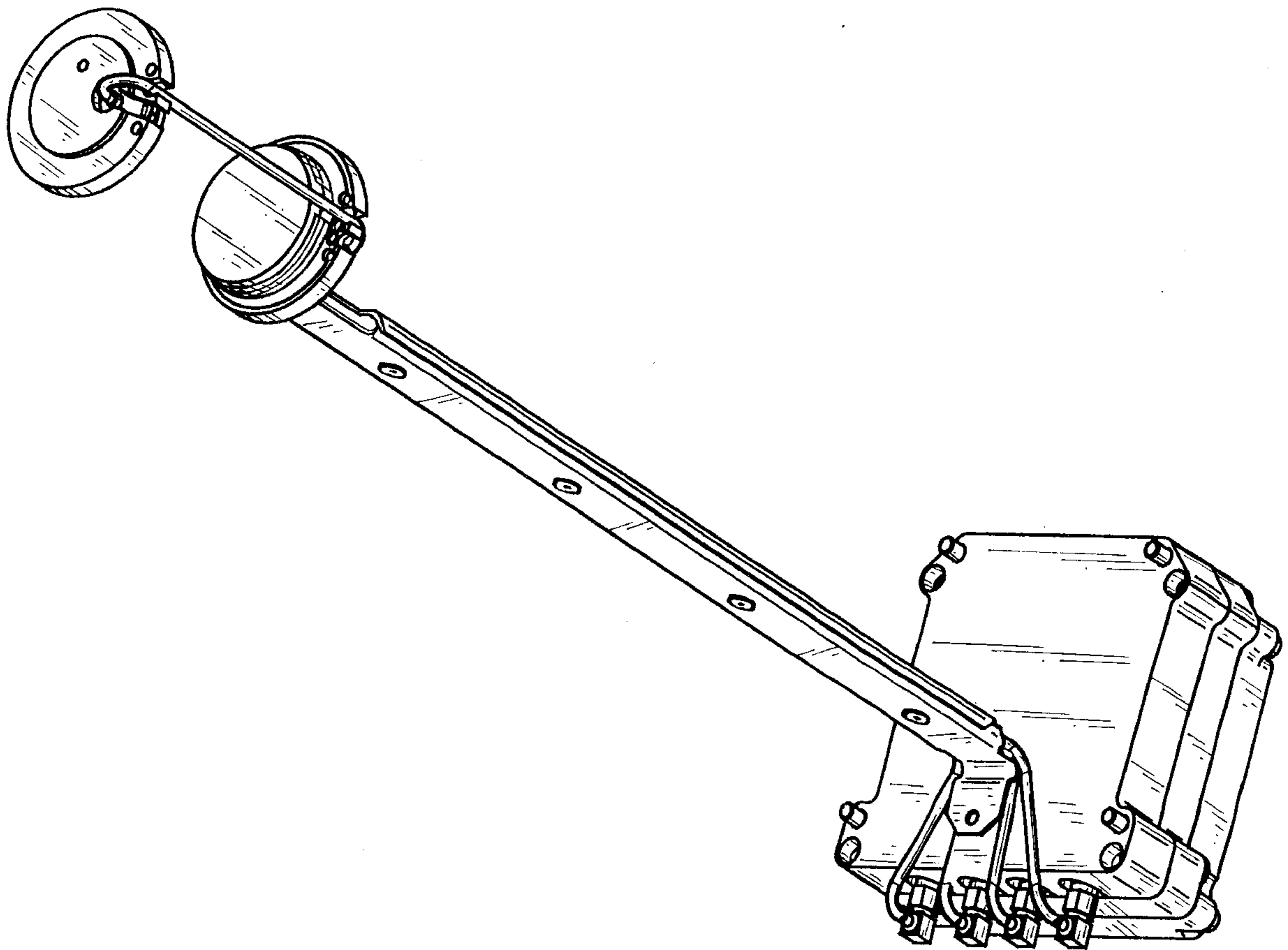
FIG. 5 is a right end view thereof;

FIG. 6 is a bottom view thereof;

FIG. 7 is a front view thereof; and,

FIG. 8 is a rear view thereof.

1 Claim, 5 Drawing Sheets



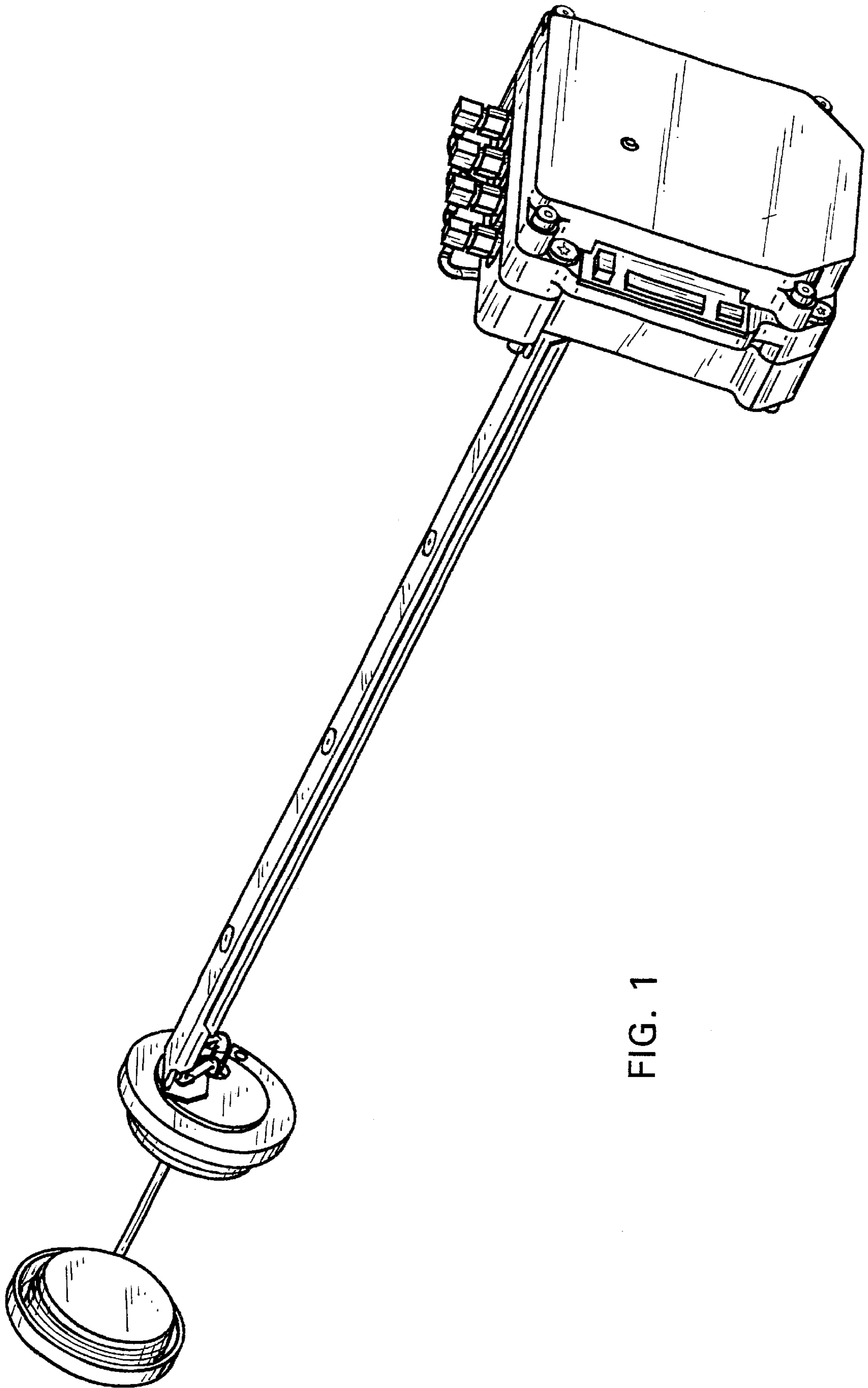


FIG. 1

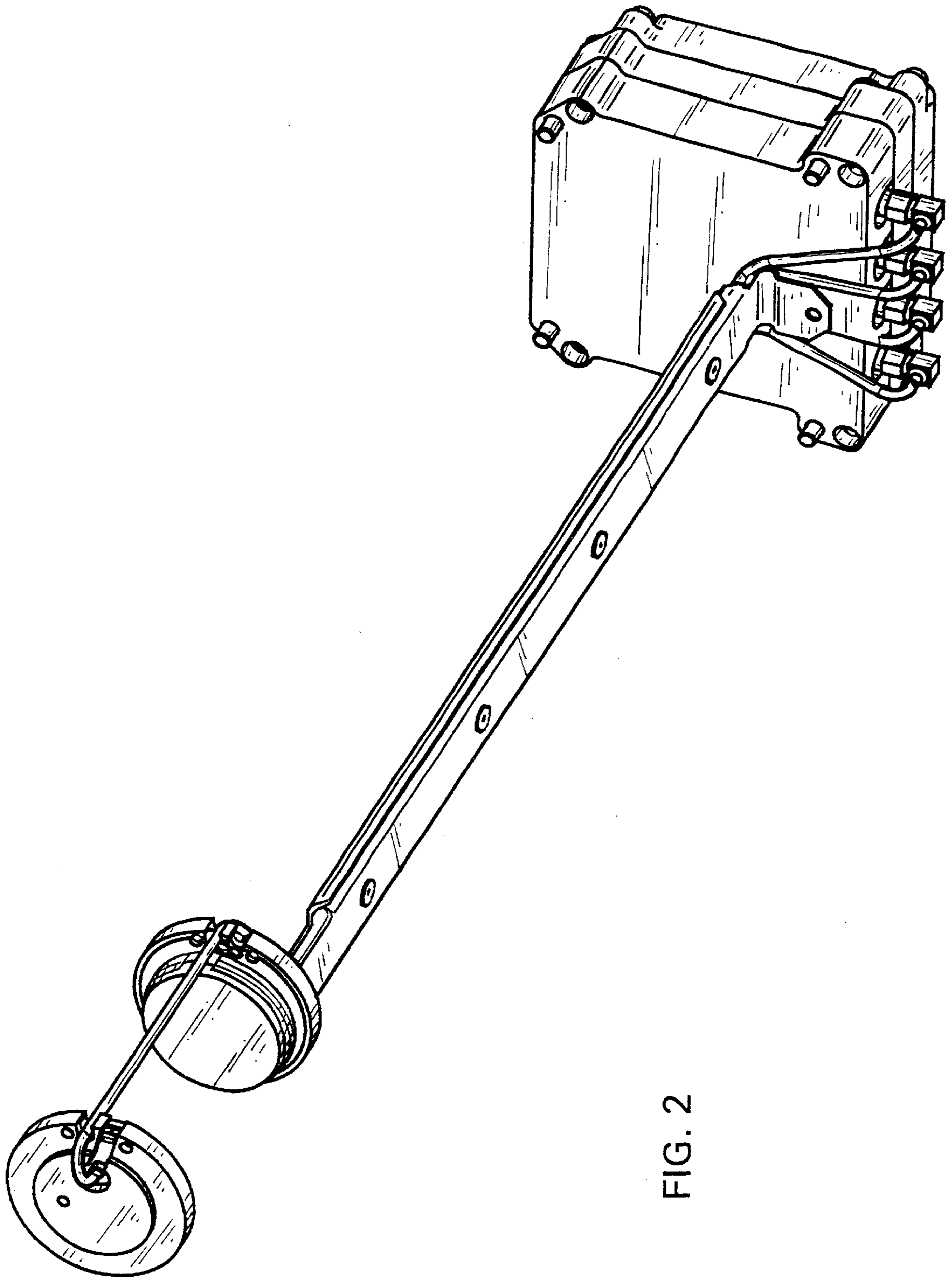


FIG. 2

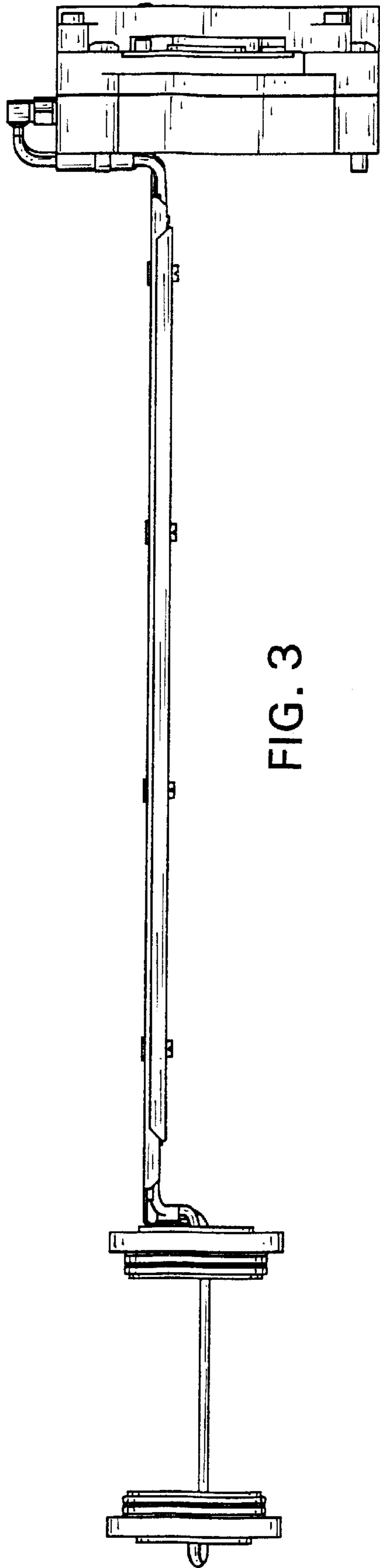


FIG. 3

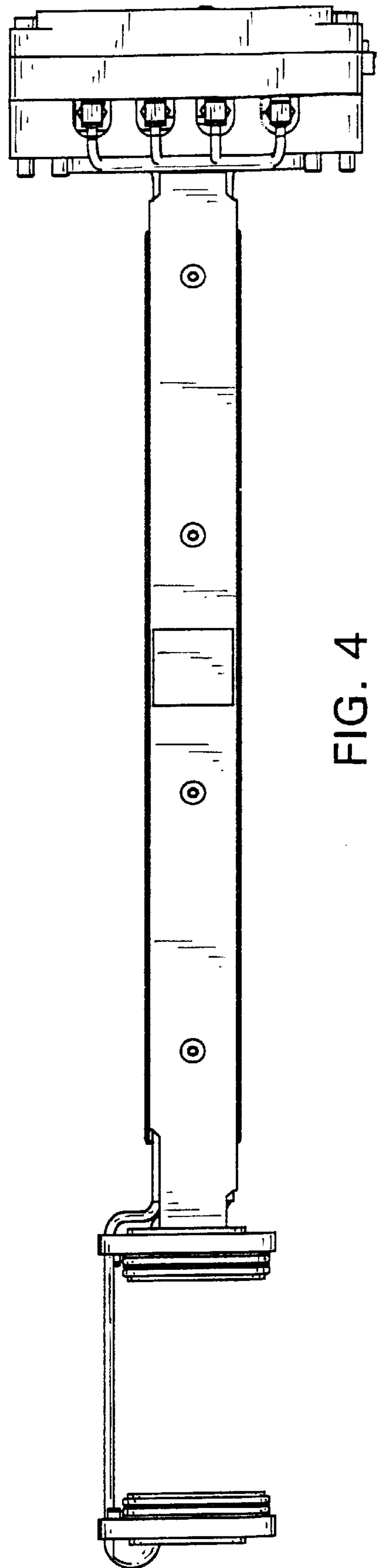


FIG. 4

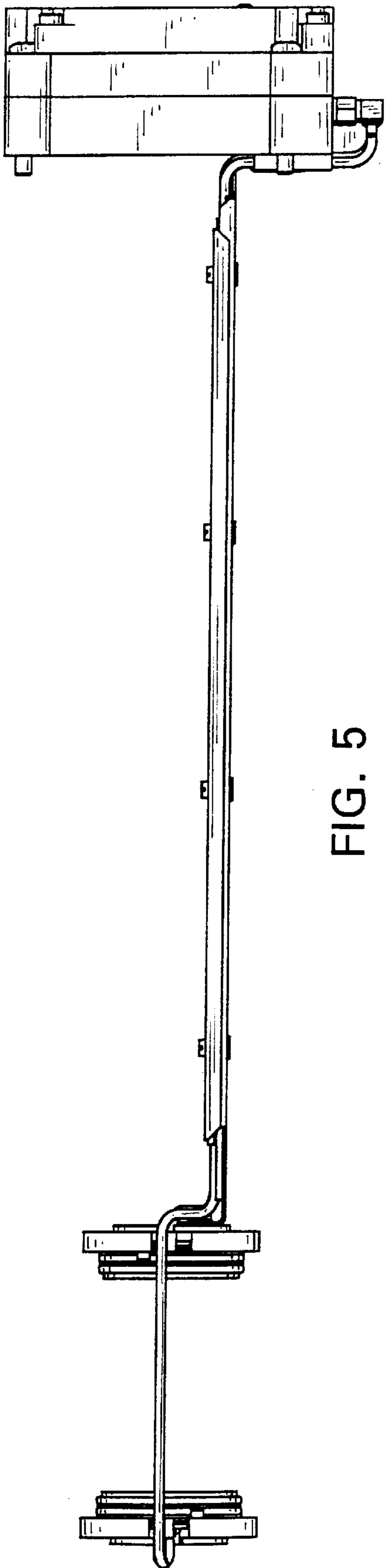


FIG. 5

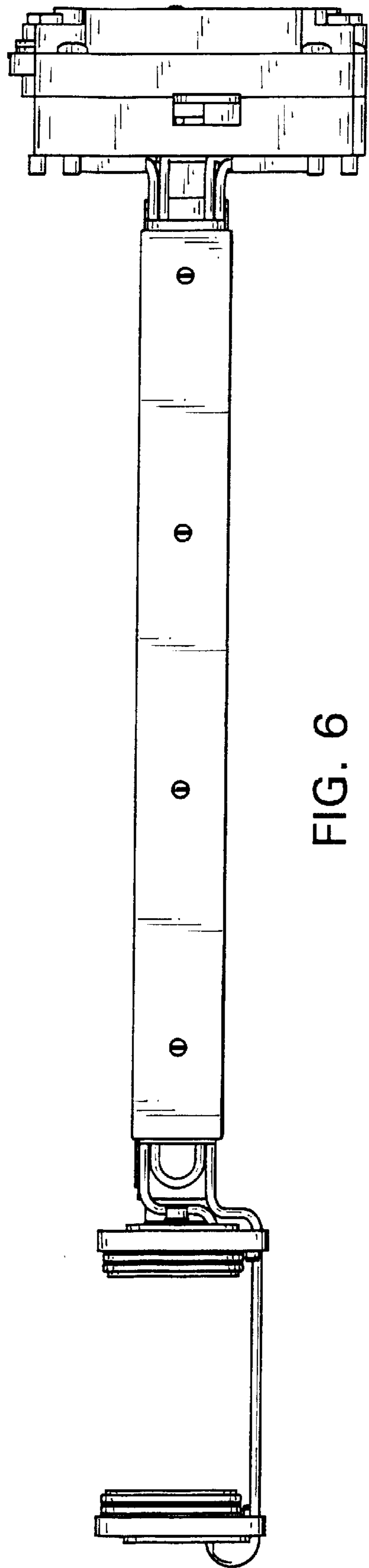


FIG. 6

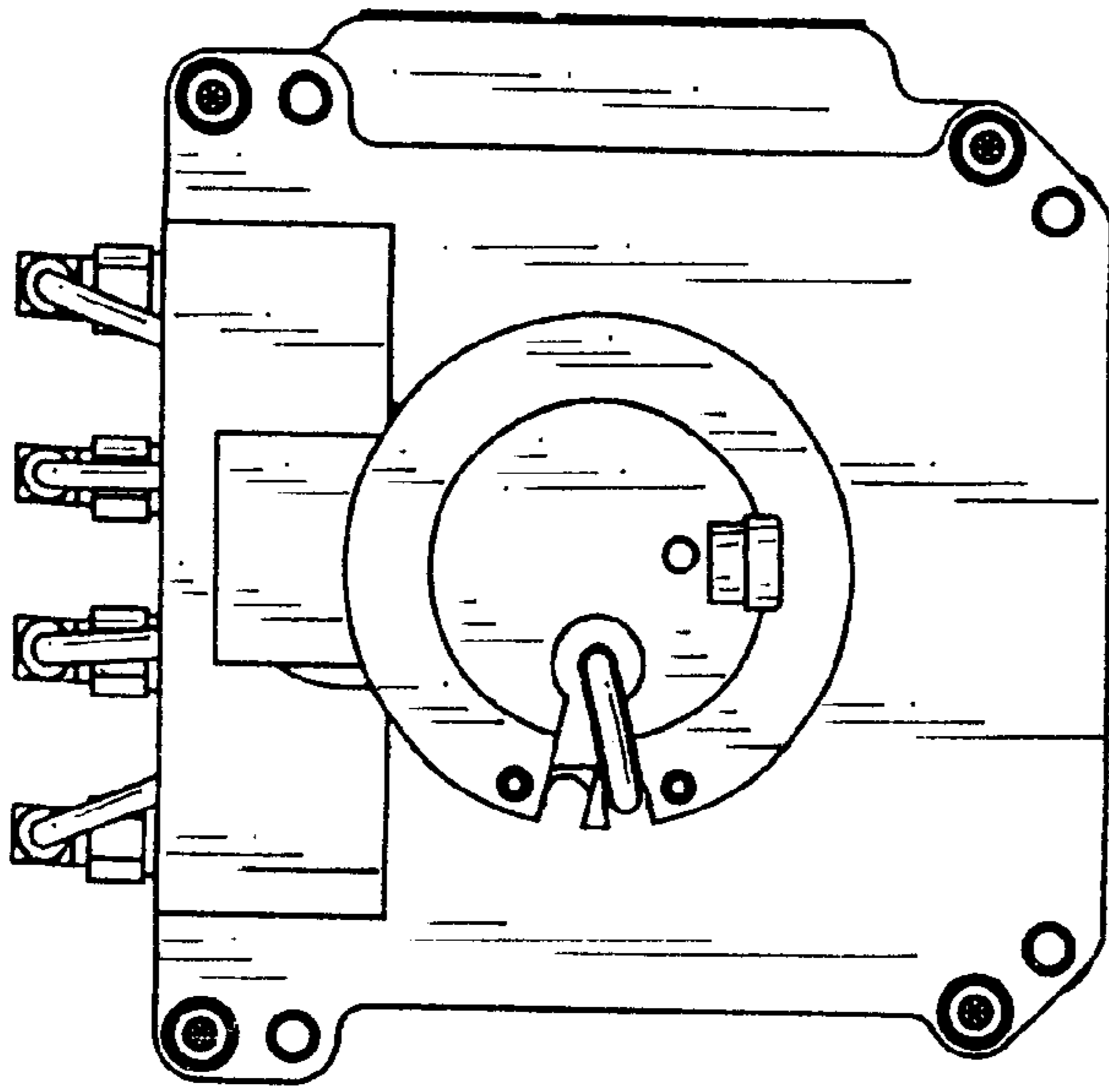


FIG. 8

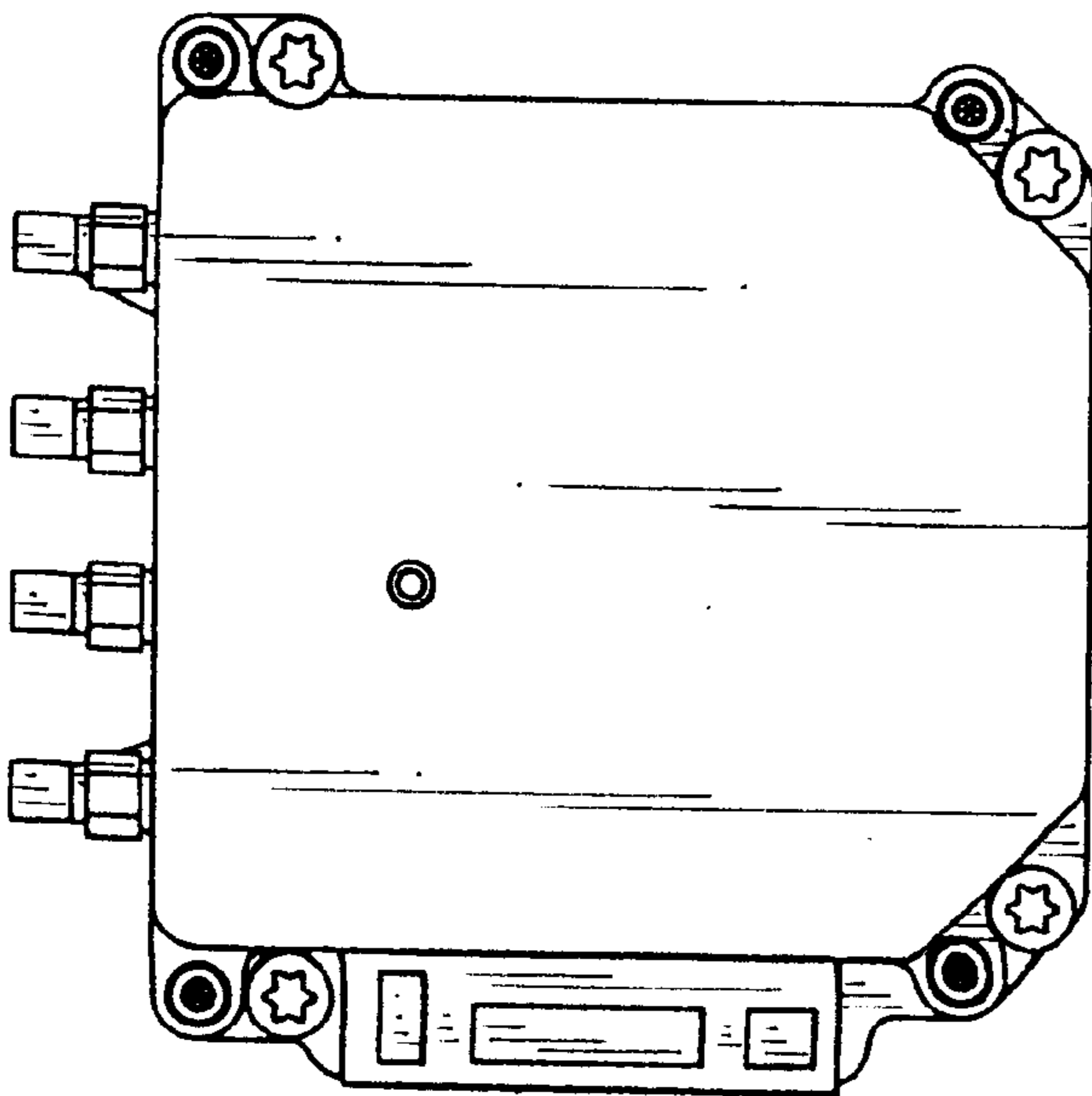


FIG. 7