



US00D443831S

(12) **United States Design Patent**
Chan

(10) **Patent No.:** **US D443,831 S**

(45) **Date of Patent:** **** Jun. 19, 2001**

(54) **CLOCK**

(75) Inventor: **Sik-Leung Chan, Tsuen Wan (HK)**

(73) Assignee: **C. C. & L Company Limited (HK)**

(**) Term: **14 Years**

(21) Appl. No.: **29/131,136**

(22) Filed: **Oct. 13, 2000**

(30) **Foreign Application Priority Data**

Jun. 26, 2000 (HK) 0010827

(51) **LOC (7) Cl.** **10-01**

(52) **U.S. Cl.** **D10/15; D10/23**

(58) **Field of Search** D10/1-40, 122-132;
368/10, 203, 73, 244, 276, 277, 285, 262,
361-317

(56) **References Cited**

U.S. PATENT DOCUMENTS

- D. 242,029 * 10/1976 Terada D10/15
- D. 247,740 * 4/1978 Brady D10/18
- D. 257,002 * 9/1980 Nesbitt D10/15
- D. 262,608 * 1/1982 Drobshoff et al. D10/15
- D. 274,042 * 5/1984 Bulgari D10/18
- D. 303,767 * 10/1989 Baird et al. D10/30

- D. 317,870 * 7/1991 Dumas D10/18
- D. 337,951 * 8/1993 Bruzzi D10/23
- D. 359,912 * 7/1995 Wong D10/18
- D. 366,835 * 2/1996 Sell D10/15
- D. 379,767 * 6/1997 Rowley D10/2
- D. 386,690 * 11/1997 Lewis D10/15
- D. 409,498 * 5/1999 Hargrove, III D10/15
- D. 413,069 * 8/1999 Kokkinis D10/15

* cited by examiner

Primary Examiner—Jeffrey Asch

(74) *Attorney, Agent, or Firm*—Alix, Yale & Ristas, LLP

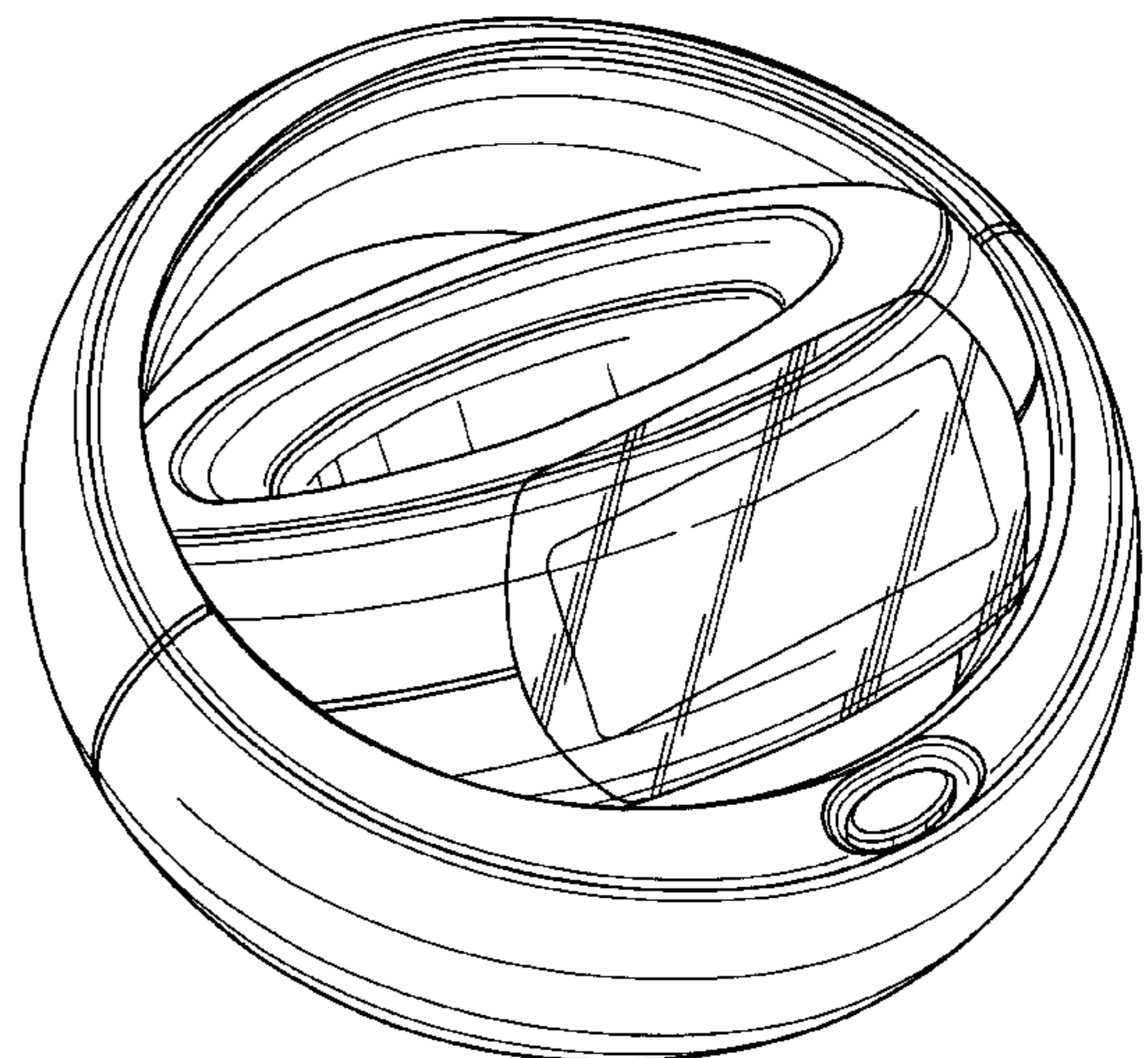
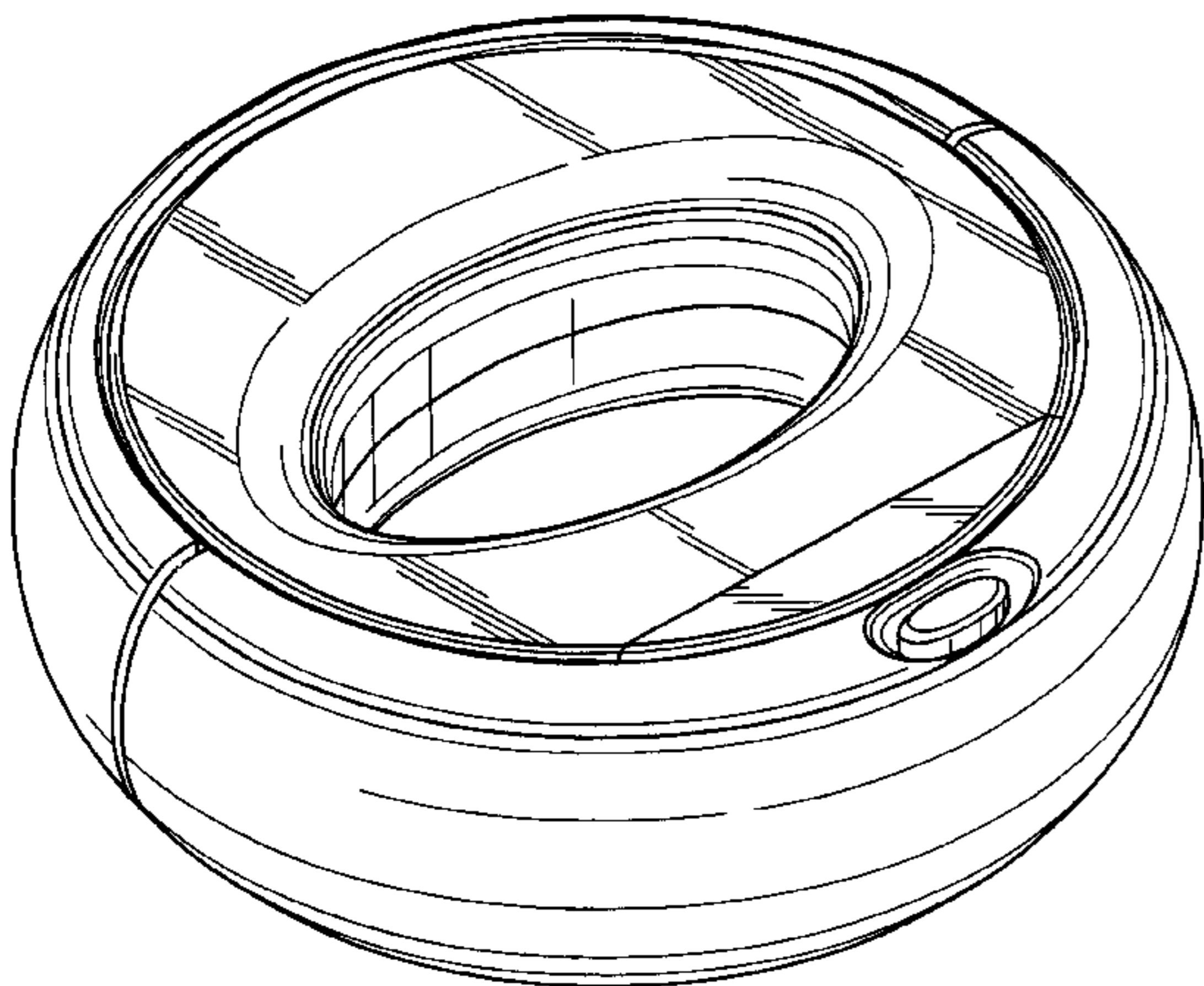
(57) **CLAIM**

The ornamental design for a clock, as shown and described.

DESCRIPTION

FIG. 1 is a perspective view of a clock showing my new design;
 FIG. 2 is a perspective view in an alternative position thereof;
 FIG. 3 is a front elevational view thereof;
 FIG. 4 is a left side elevational view thereof;
 FIG. 5 is a top plan view thereof;
 FIG. 6 is a rear elevational view thereof;
 FIG. 7 is a right side elevational view thereof; and,
 FIG. 8 is a bottom plan view thereof.

1 Claim, 4 Drawing Sheets



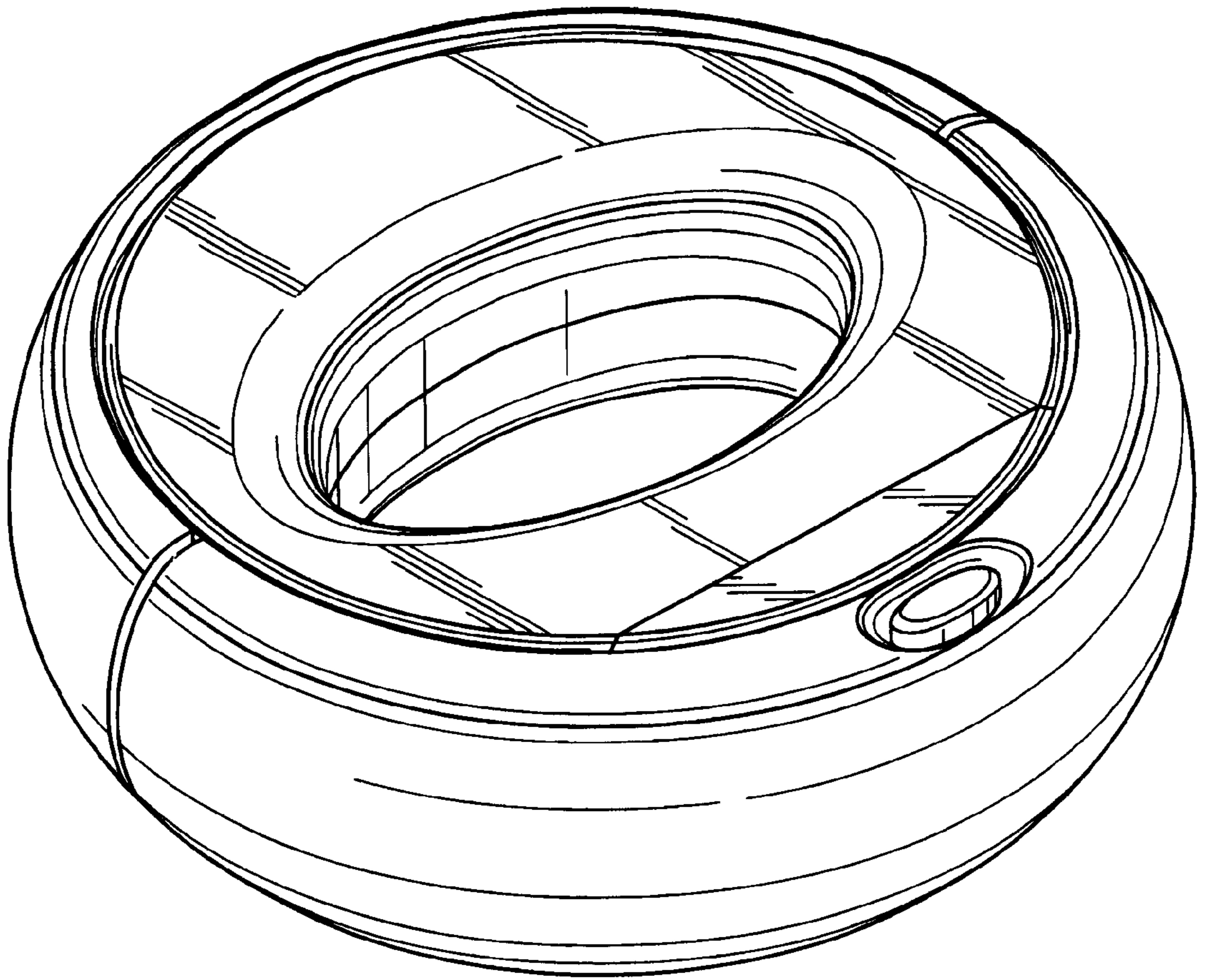


FIG. 1

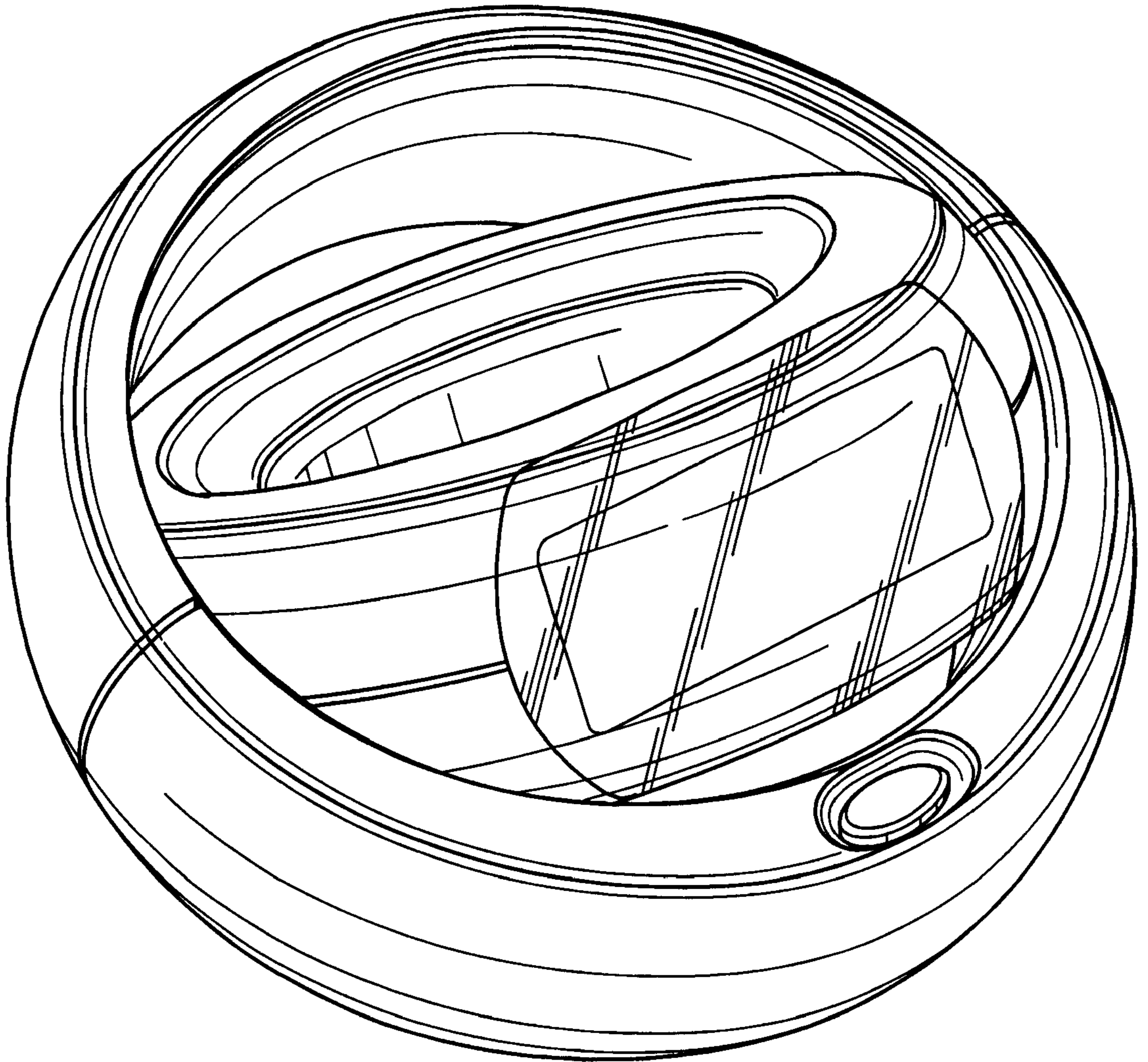


FIG. 2

FIG. 5

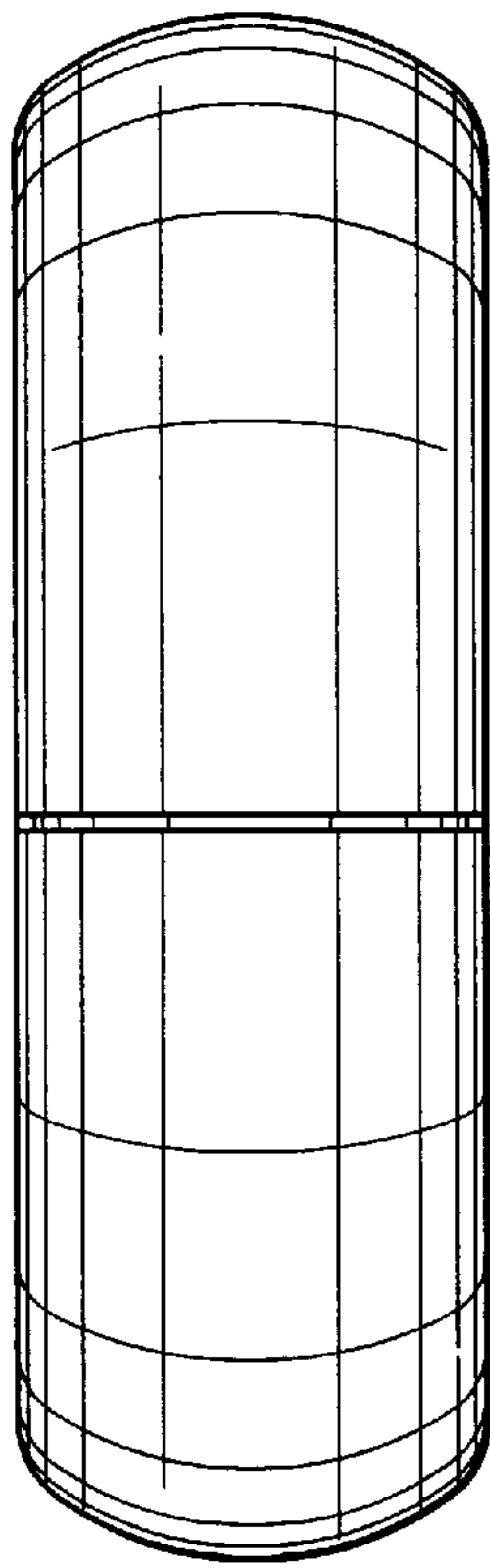
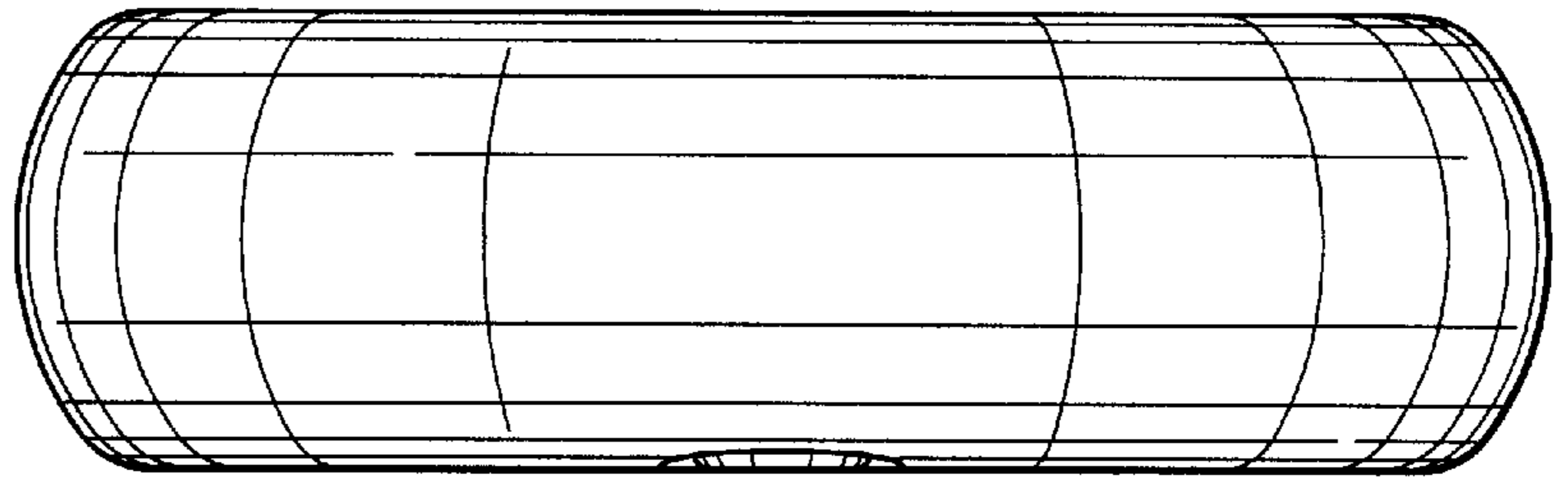


FIG. 4

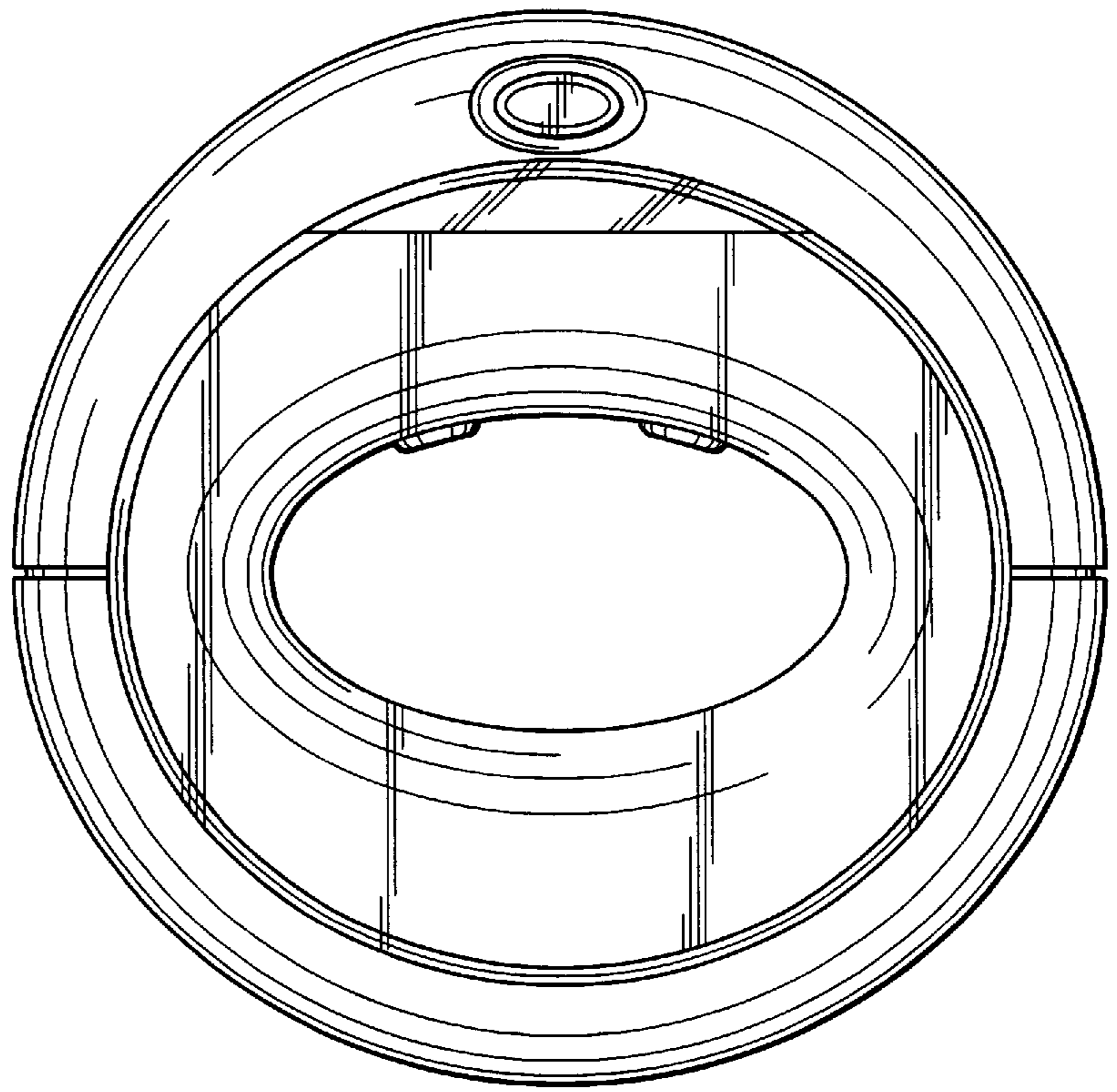


FIG. 3

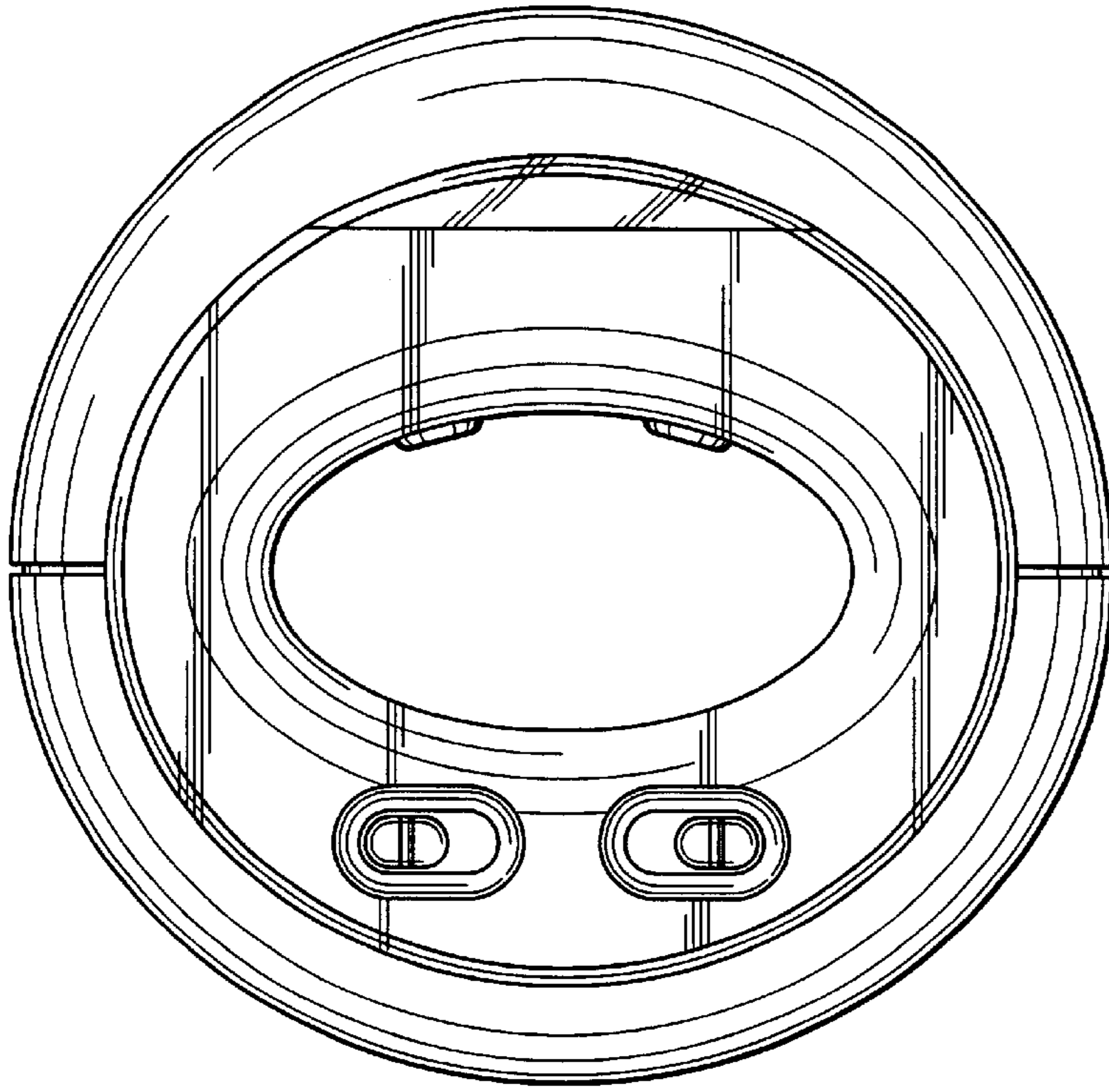


FIG. 6

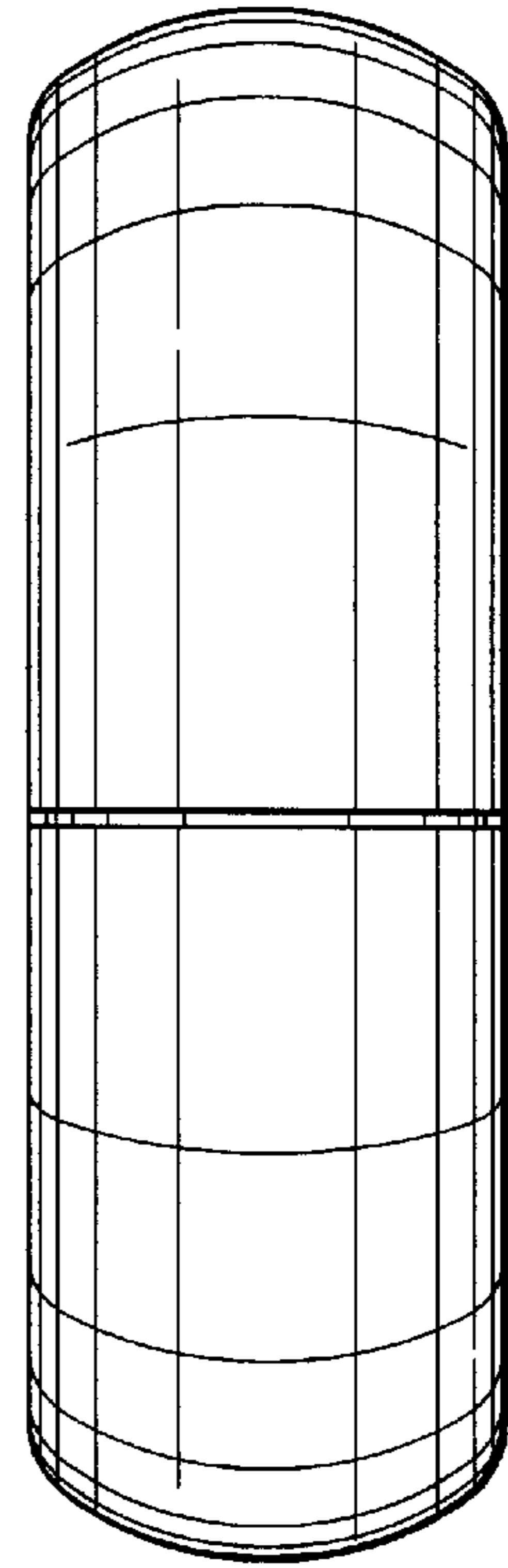


FIG. 7

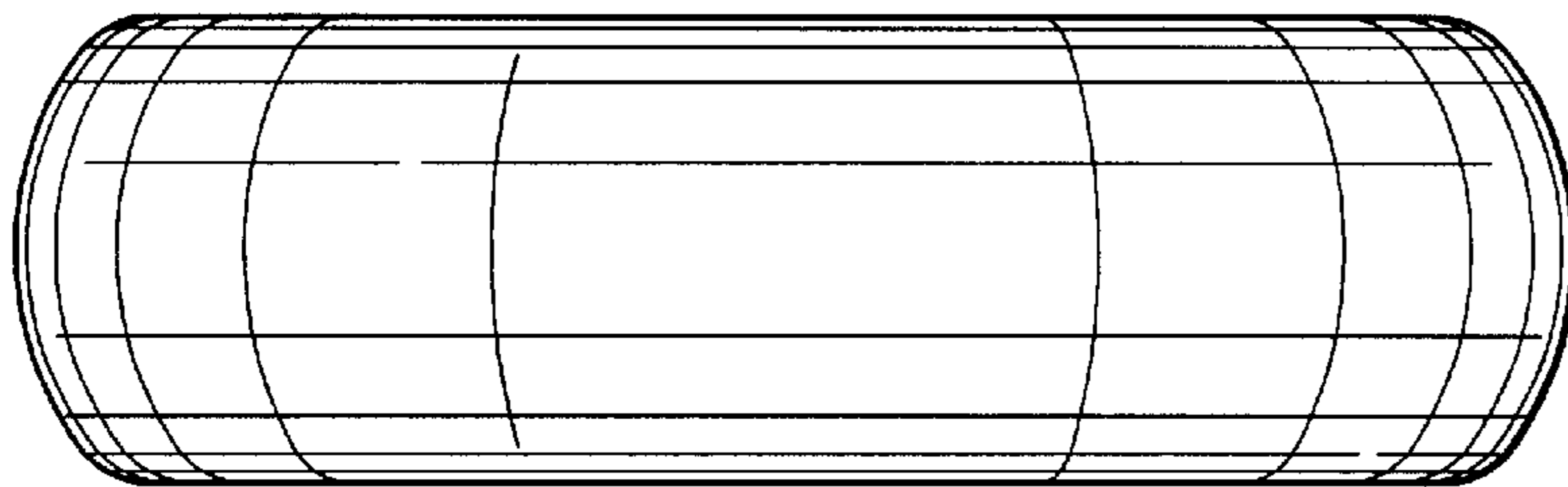


FIG. 8