



US00D443827S

(12) **United States Design Patent**
Krishnakumar et al.

(10) **Patent No.: US D443,827 S**

(45) **Date of Patent: ** Jun. 19, 2001**

(54) **BOTTLE PORTION**

(75) Inventors: **Suppayan M. Krishnakumar**, Nashua;
David P. Piccioli, Auburn, both of NH
(US); **Robert G. Di Canio**, Naperville,
IL (US); **Jeff Lichtman**, Evanston, IL
(US); **Jeffrey L. Pattee**, Palatine, IL
(US); **Christopher D. Rowe**,
Barrington, IL (US); **Tia-Maria Smith**,
Chicago, IL (US)

(73) Assignee: **Stokely-Van Camp, Inc.**, Chicago, IL
(US)

(**) Term: **14 Years**

(21) Appl. No.: **29/130,759**

(22) Filed: **Oct. 5, 2000**

Related U.S. Application Data

(63) Continuation of application No. 29/078,570, filed on Oct.
28, 1997.

(51) **LOC (7) Cl.** **09-01**

(52) **U.S. Cl.** **D9/537**

(58) **Field of Search** D9/520, 537, 540,
D9/550, 551, 553; 215/381, 383, 384

(56) **References Cited**

U.S. PATENT DOCUMENTS

D. 154,563	*	7/1949	Peters	D9/551
D. 300,805	*	4/1989	Rogler et al.	D9/520
D. 379,224	*	5/1997	McCallister et al.	D9/520
5,579,937	*	12/1996	Valyi	215/384
5,758,790	*	6/1998	Ewing, Jr.	215/384
5,836,469	*	11/1998	Zebrowski	215/384

* cited by examiner

Primary Examiner—Dominic Simone
(74) *Attorney, Agent, or Firm*—Lars S. Johnson

(57) **CLAIM**

The ornamental design for a bottle portion, as shown and described.

DESCRIPTION

FIG. 1 is a perspective view of a bottle portion showing our new design;

FIG. 2 is a front view of the bottle portion portion depicted in FIG. 1, the opposite side being identical;

FIG. 3 is a side view of the bottle portion portion depicted in FIG. 2, representing a partial rotation of the bottle portion portion about its vertical center axis from the front view depicted in FIG. 2, the opposite side being identical;

FIG. 4 is a top view of the bottle portion portion depicted in FIG. 2;

FIG. 5 is a bottom view of the bottle portion portion depicted in FIG. 2;

FIG. 6 is a perspective view of a second embodiment of a bottle portion portion as depicted in FIG. 1;

FIG. 7 is a front view of the bottle portion portion depicted in FIG. 6, the opposite side being identical;

FIG. 8 is a side view of the bottle portion portion depicted in FIG. 7, representing a partial rotation of the bottle portion portion about its vertical center axis from the front view depicted in FIG. 7, the opposite side being identical;

FIG. 9 is a top view of the bottle portion portion depicted in FIG. 7;

FIG. 10 is a bottom view of the bottle portion depicted in FIG. 7;

FIG. 11 is a perspective view of a third embodiment of a bottle portion as depicted in FIG. 1;

FIG. 12 is a front view of the bottle portion depicted in FIG. 11, the opposite side being identical;

FIG. 13 is a side view of the bottle portion depicted in FIG. 12, representing a partial rotation of the bottle portion about its vertical center axis from the front view depicted in FIG. 12, the opposite side being identical;

FIG. 14 is a top view of the bottle portion depicted in FIG. 12;

FIG. 15 is a bottom view of the bottle portion depicted in FIG. 12;

FIG. 16 is a perspective view of a fourth embodiment of a bottle portion as depicted in FIG. 1;

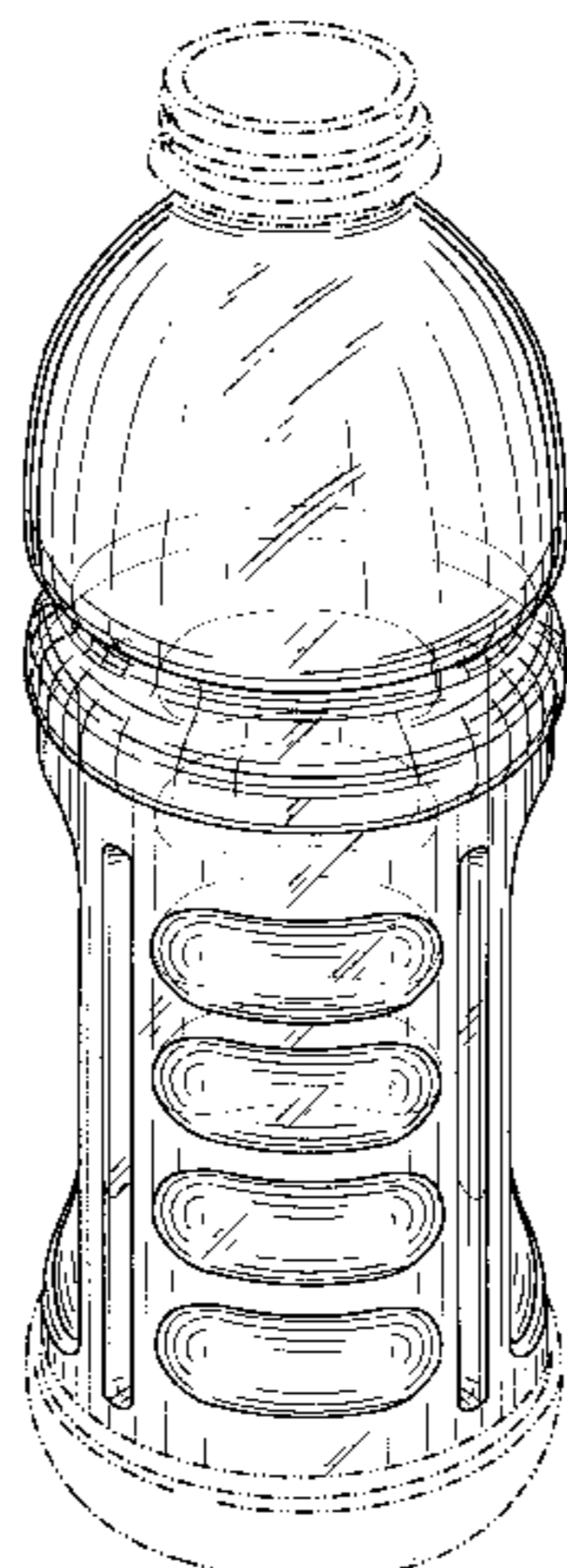


FIG. 17 is a front view of the bottle portion depicted in FIG. 16, the opposite side being identical;

FIG. 18 is a side view of the bottle portion depicted in FIG. 17, representing a partial rotation of the bottle portion about its vertical center axis from the front view depicted in FIG. 17, the opposite side being identical;

FIG. 19 is a top view of the bottle portion depicted in FIG. 17;

FIG. 20 is a bottom view of the bottle portion depicted in FIG. 17;

FIG. 21 is a perspective view of a fifth embodiment of a bottle portion as depicted in FIG. 1;

FIG. 22 is a front view of the bottle portion depicted in FIG. 21, the opposite side being identical;

FIG. 23 is a side view of the bottle portion depicted in FIG. 22, representing a partial rotation of the bottle portion about its vertical center axis from the front view depicted in FIG. 22, the opposite side being identical;

FIG. 24 is a top view of the bottle portion depicted in FIG. 22; and,

FIG. 25 is a bottom view of the bottle portion depicted in FIG. 22.

The broken line environmental showing is for illustrative purposes only and does not form part of the claimed design.

1 Claim, 10 Drawing Sheets

FIG. 1

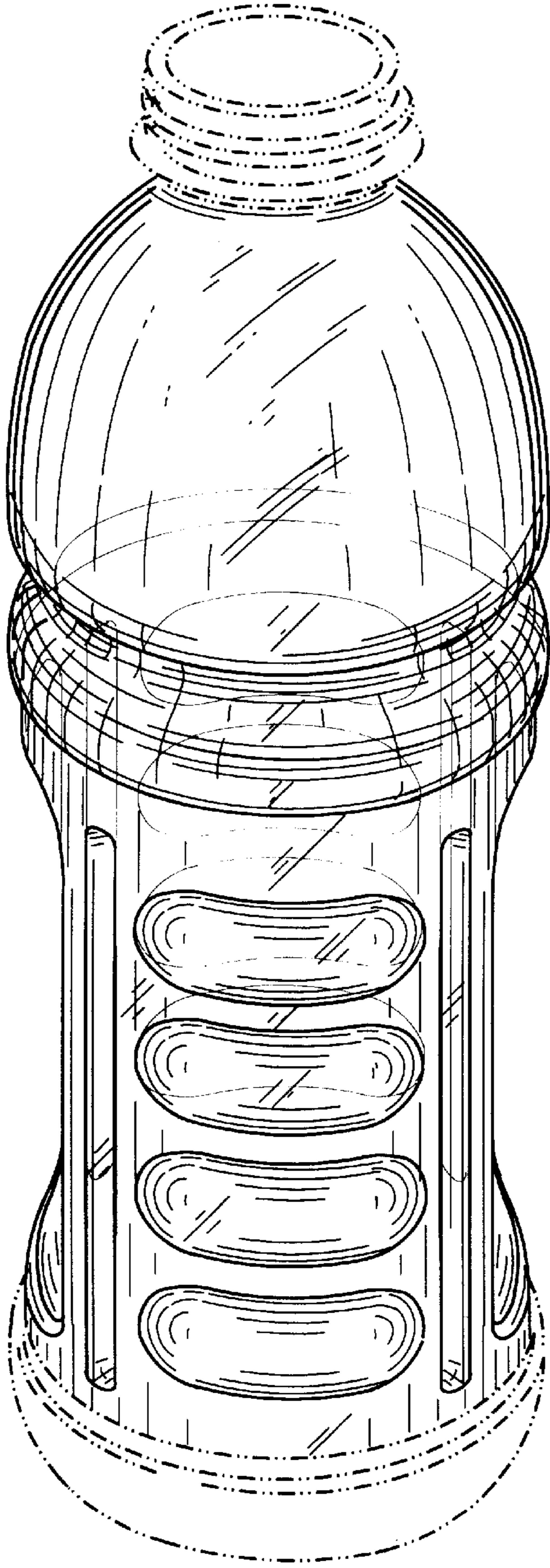


FIG. 4

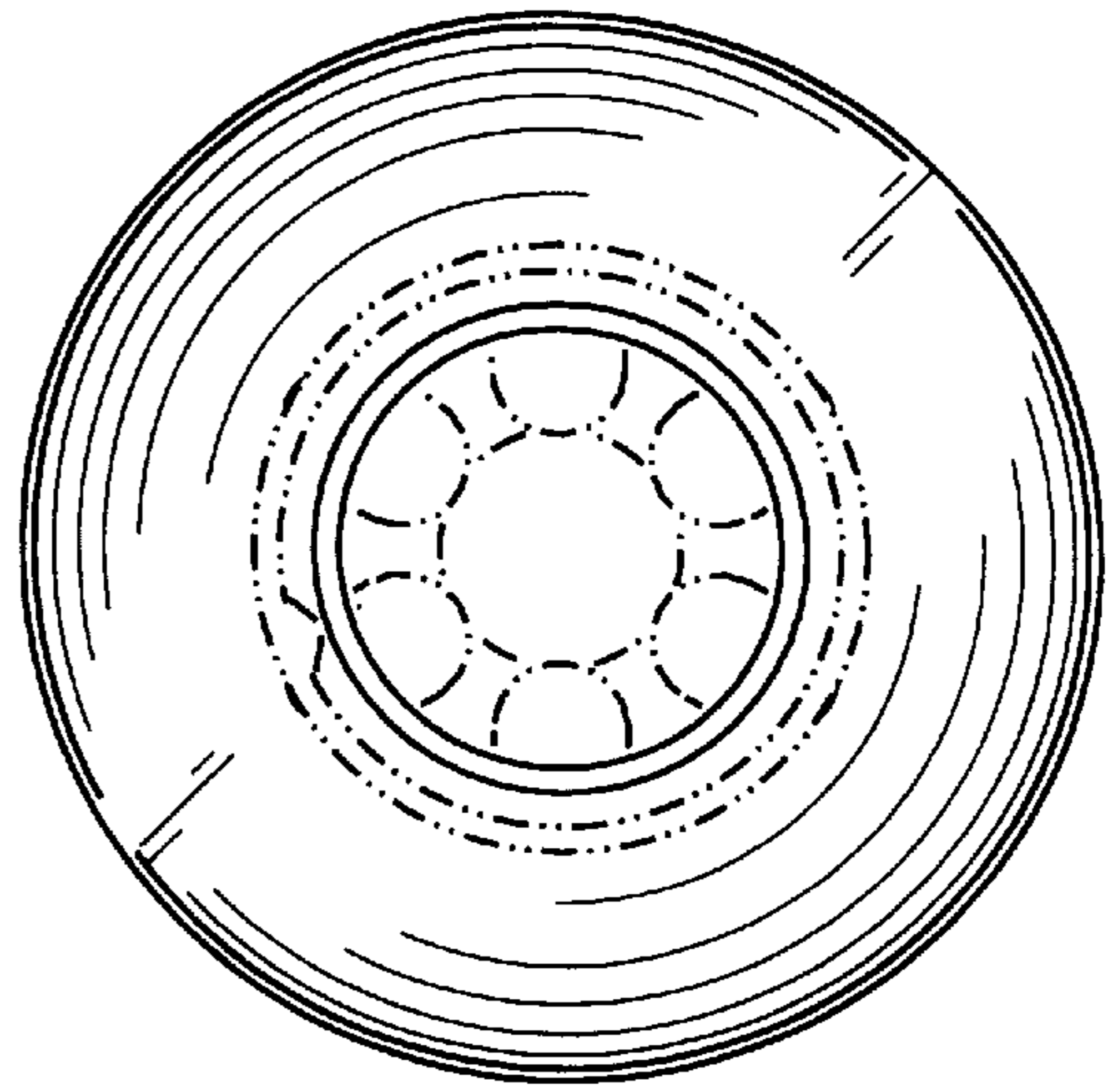


FIG. 5

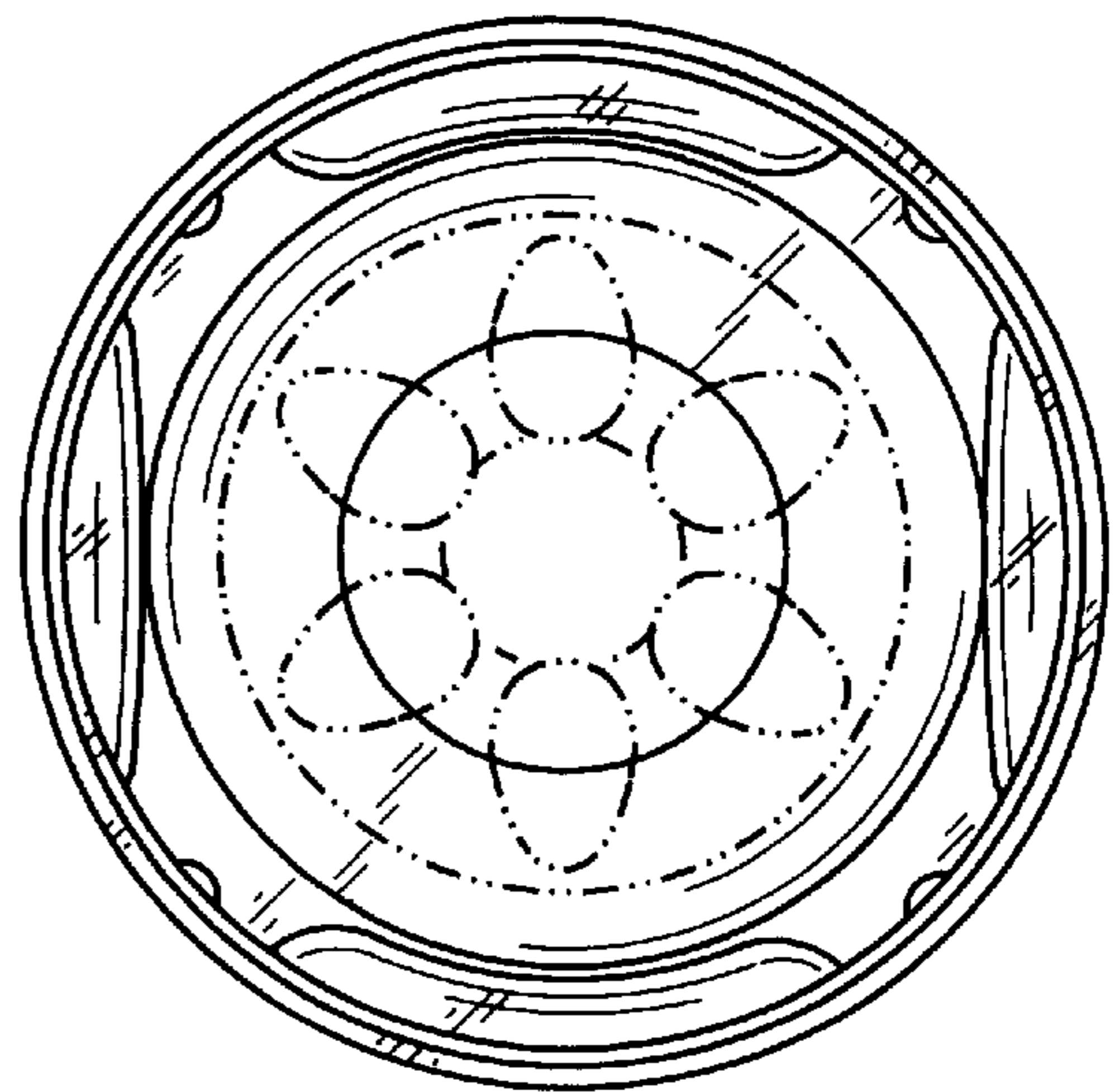


FIG. 2

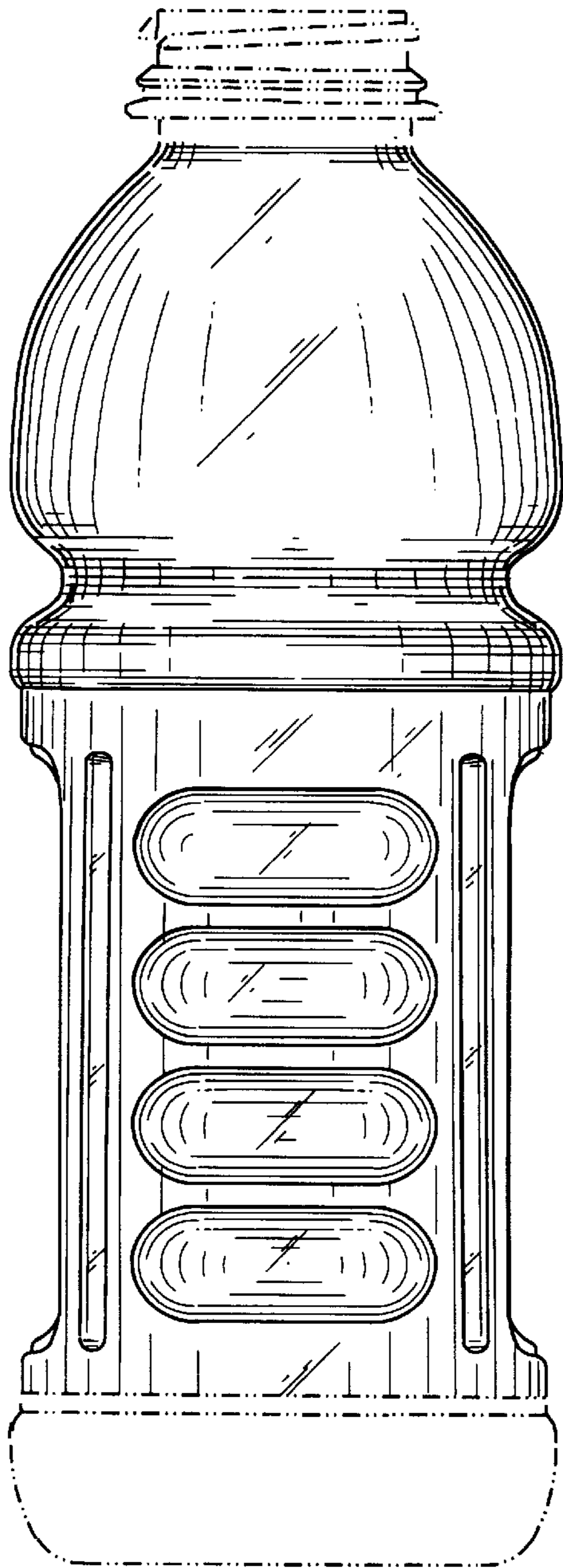


FIG. 3

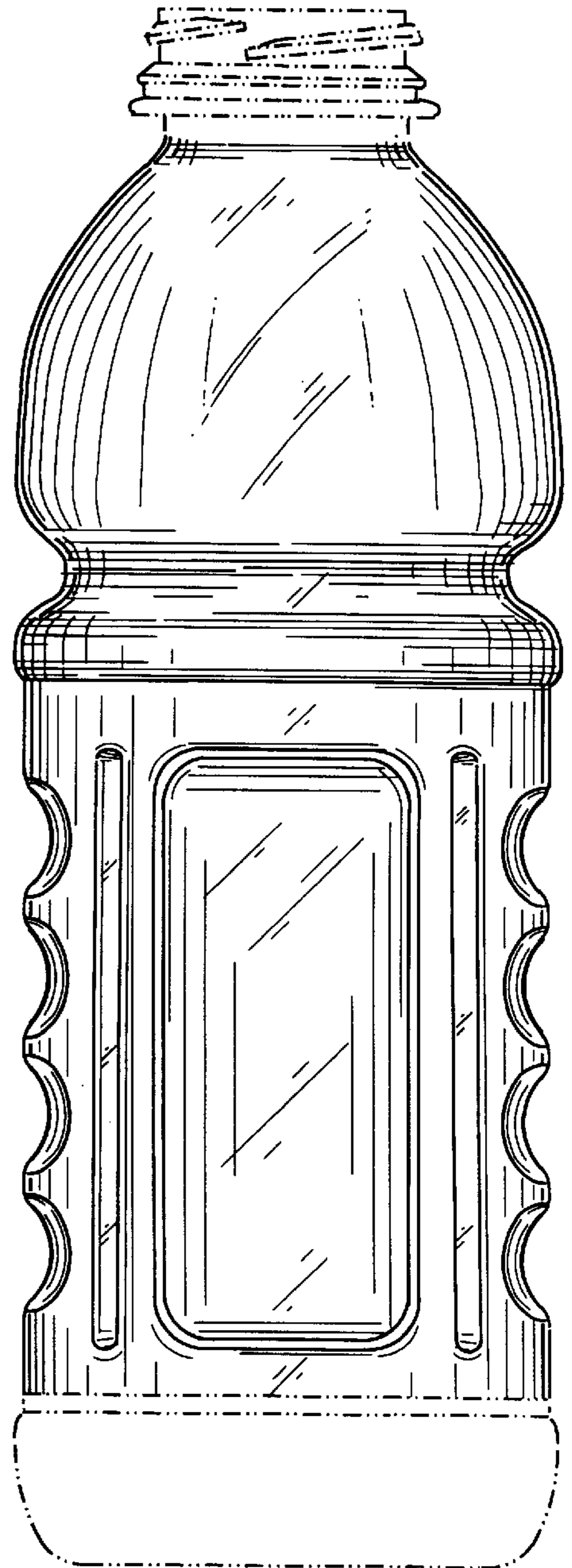


FIG. 6

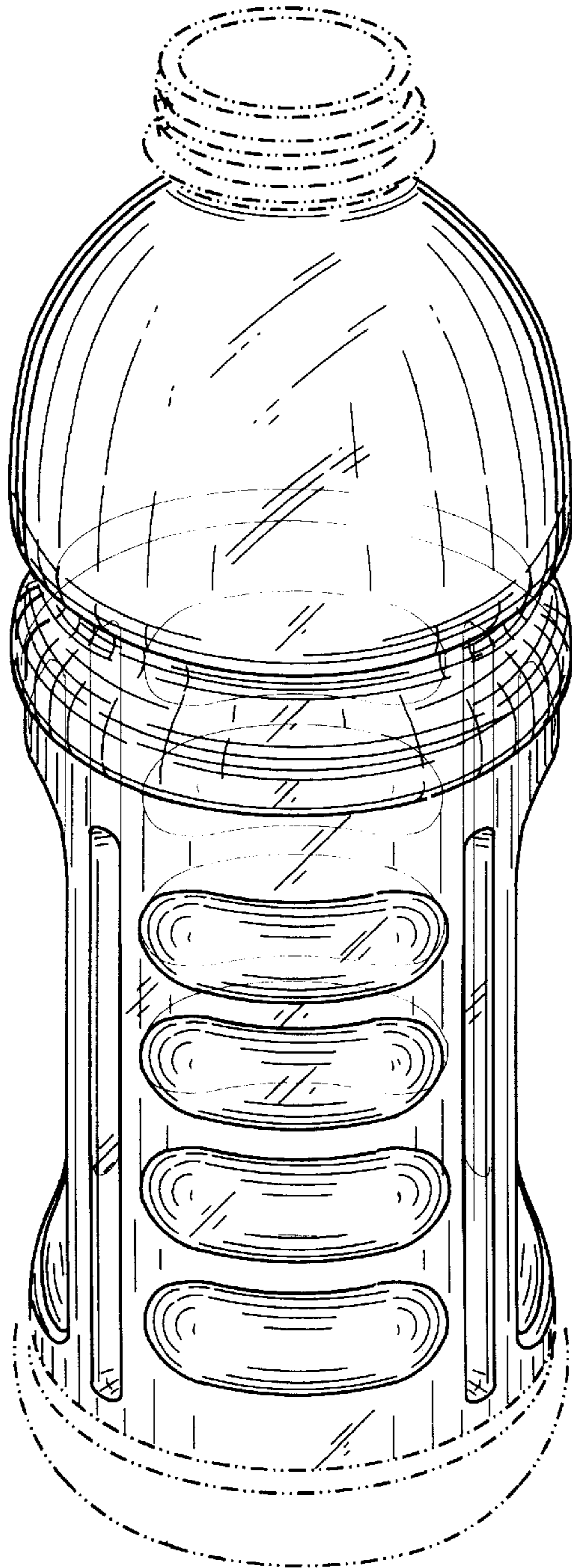


FIG. 9

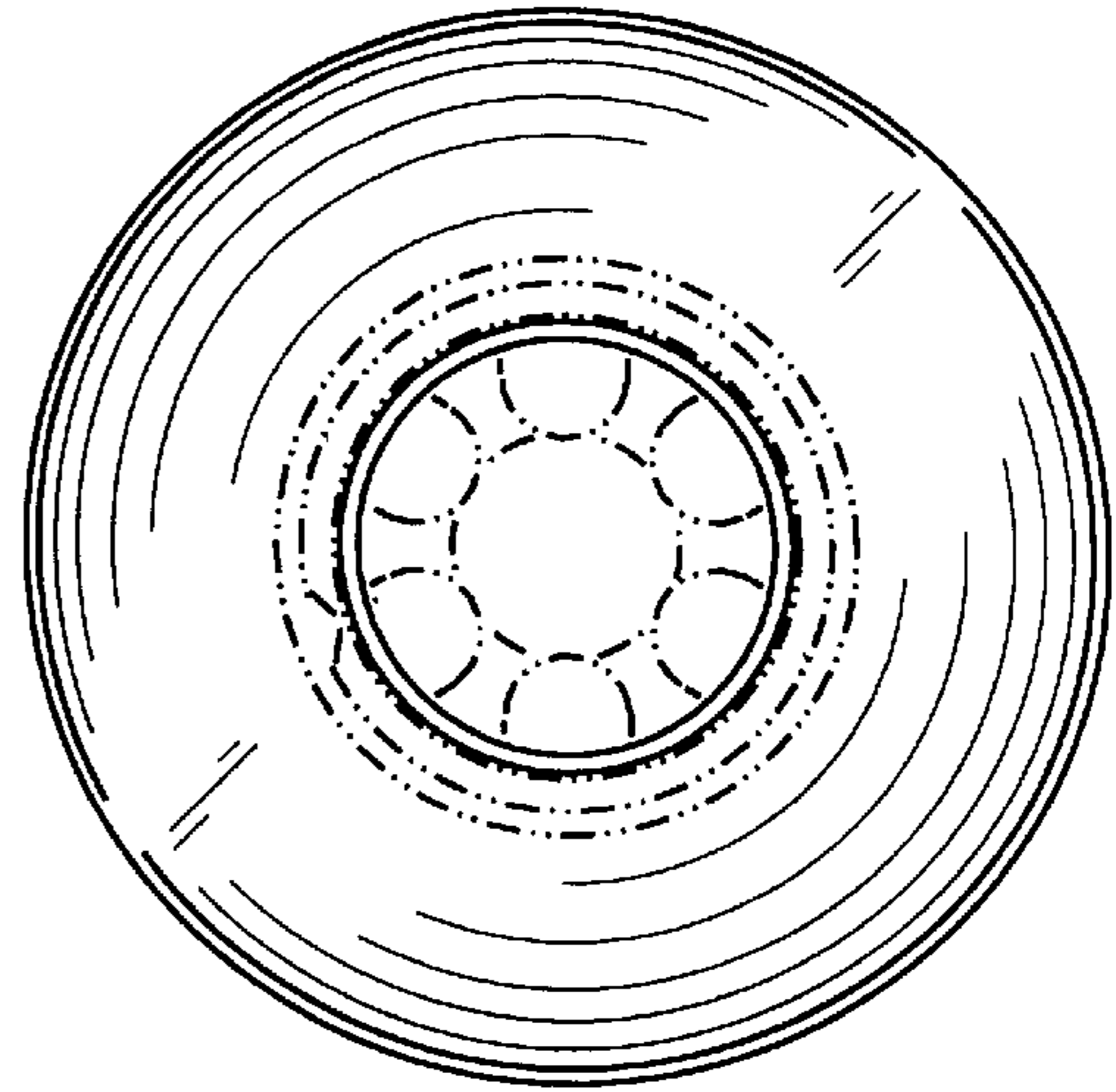


FIG. 10

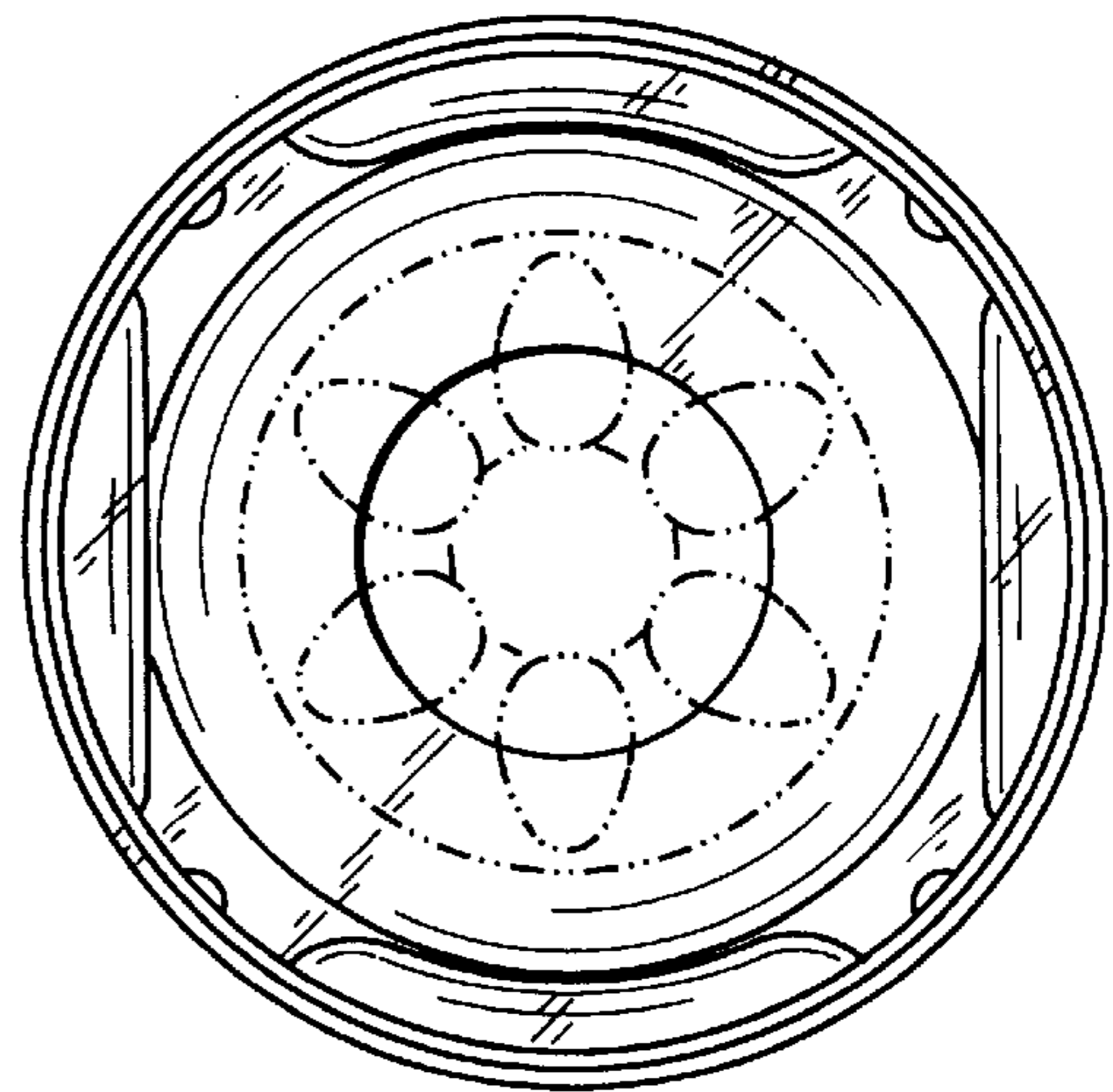


FIG. 7

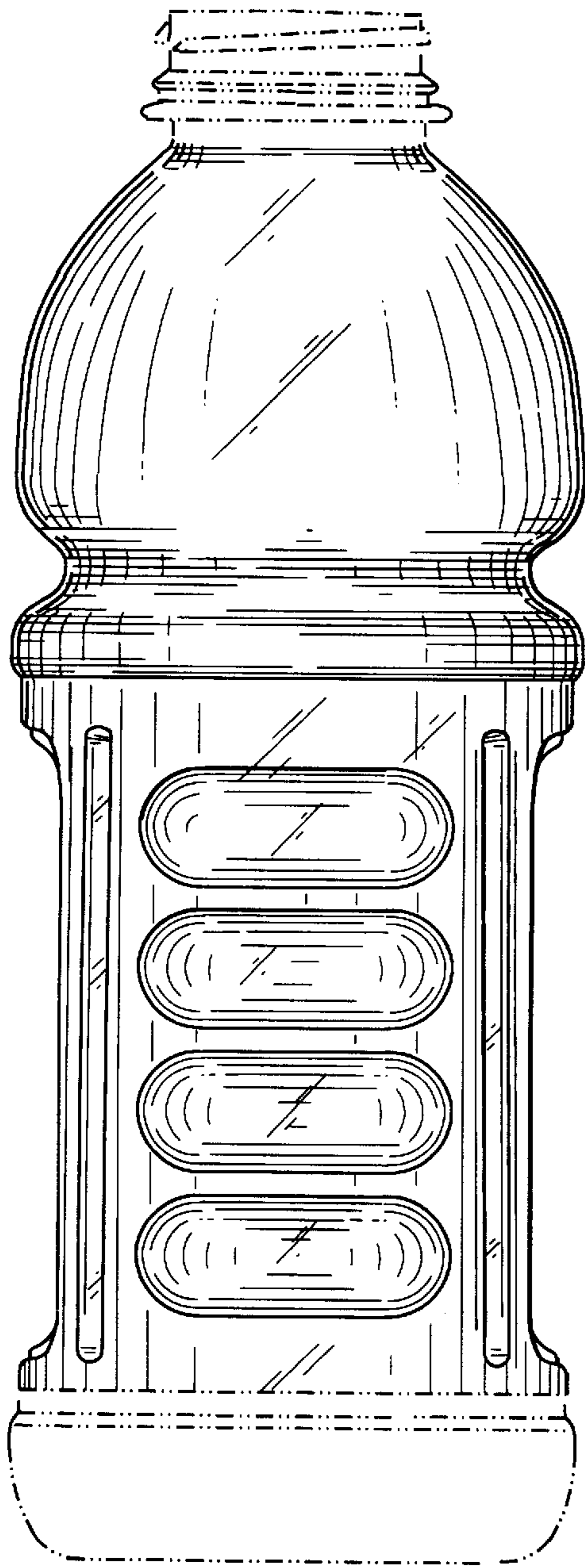


FIG. 8

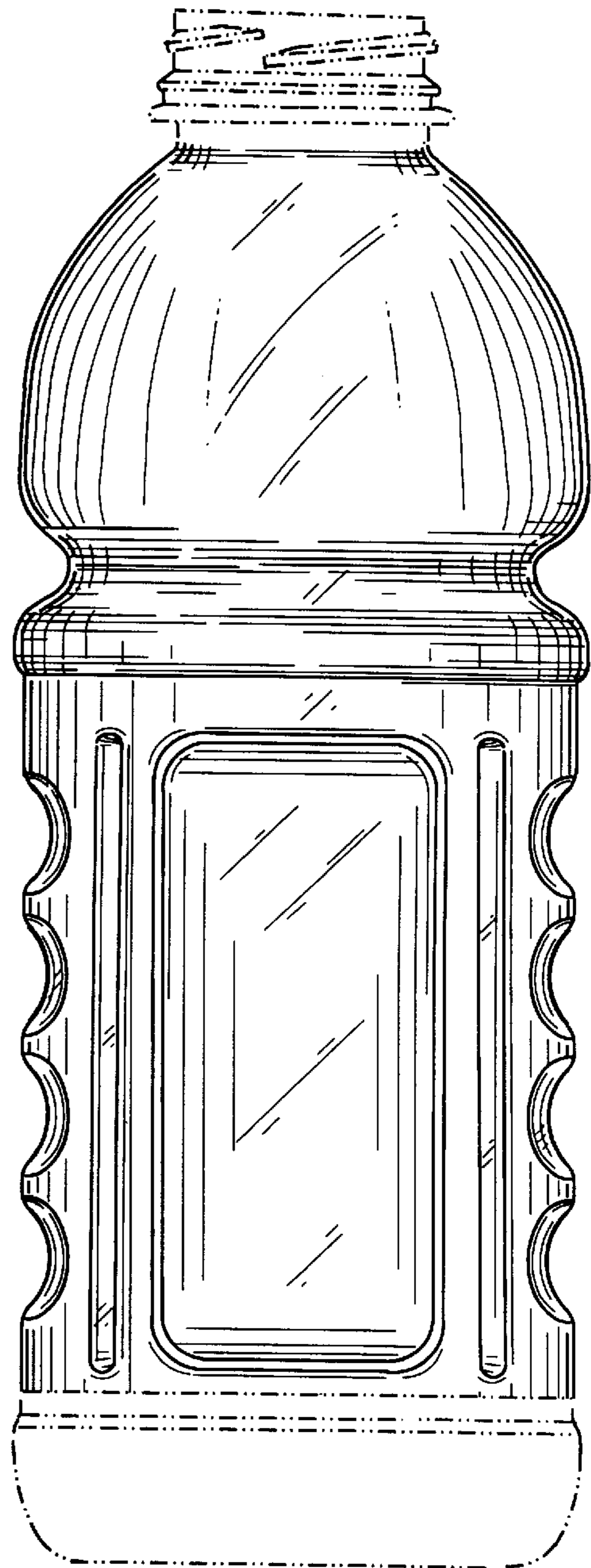


FIG. 11

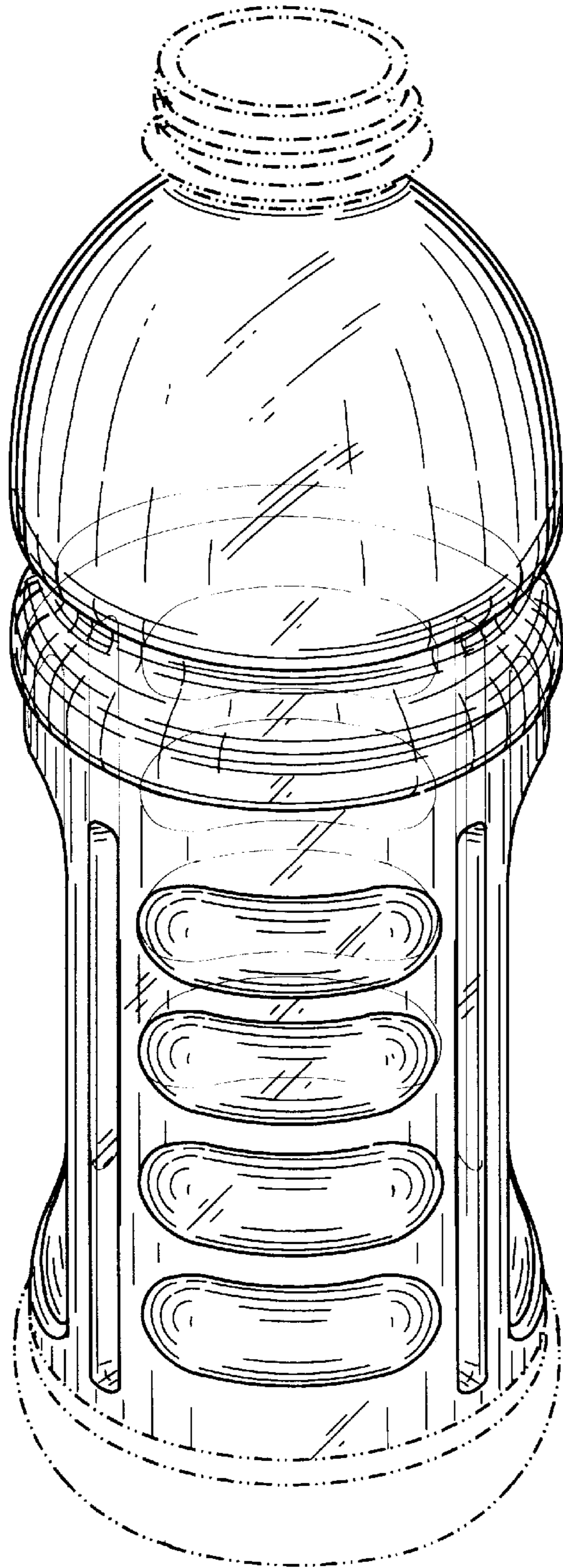


FIG. 14

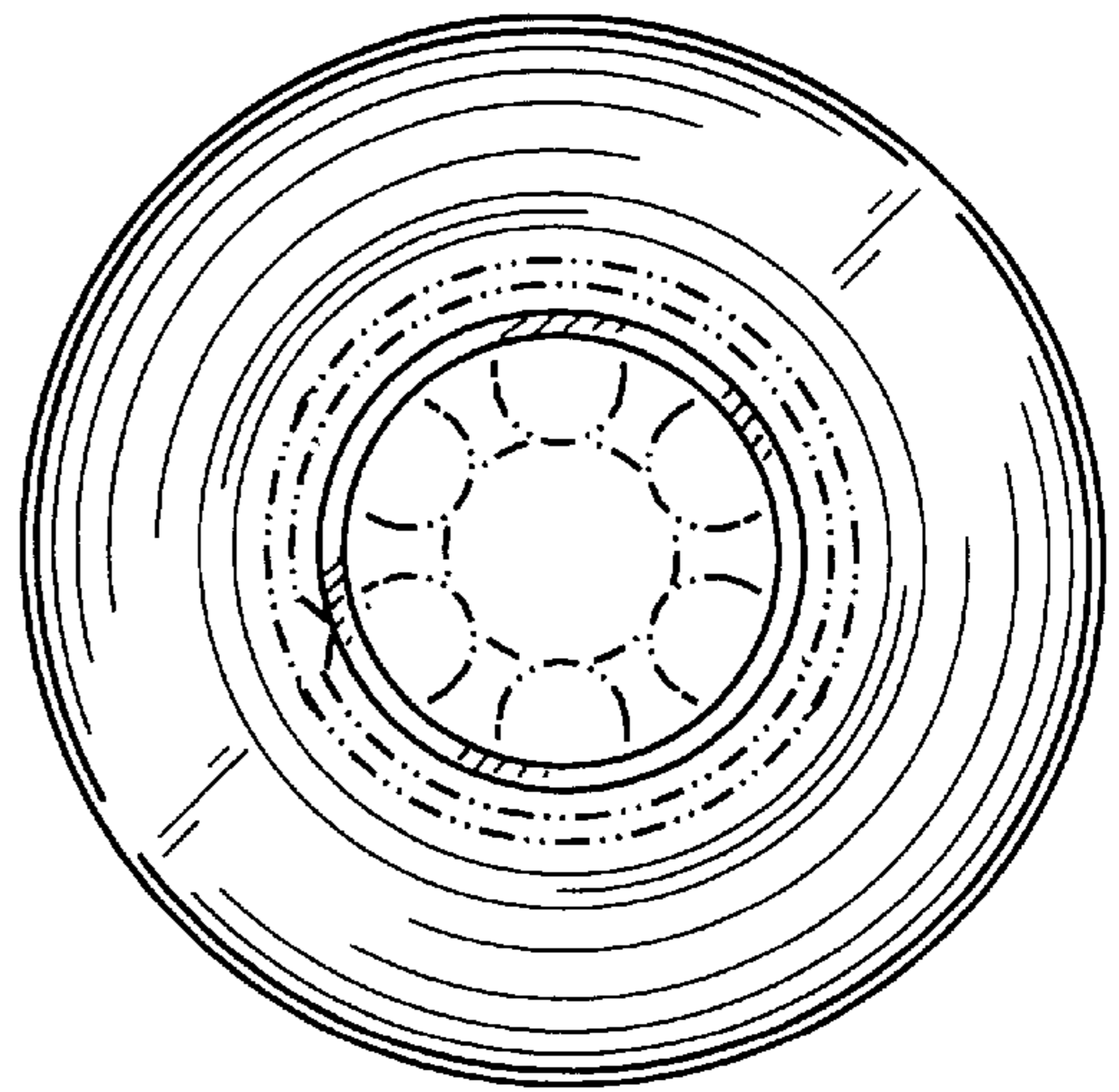


FIG. 15

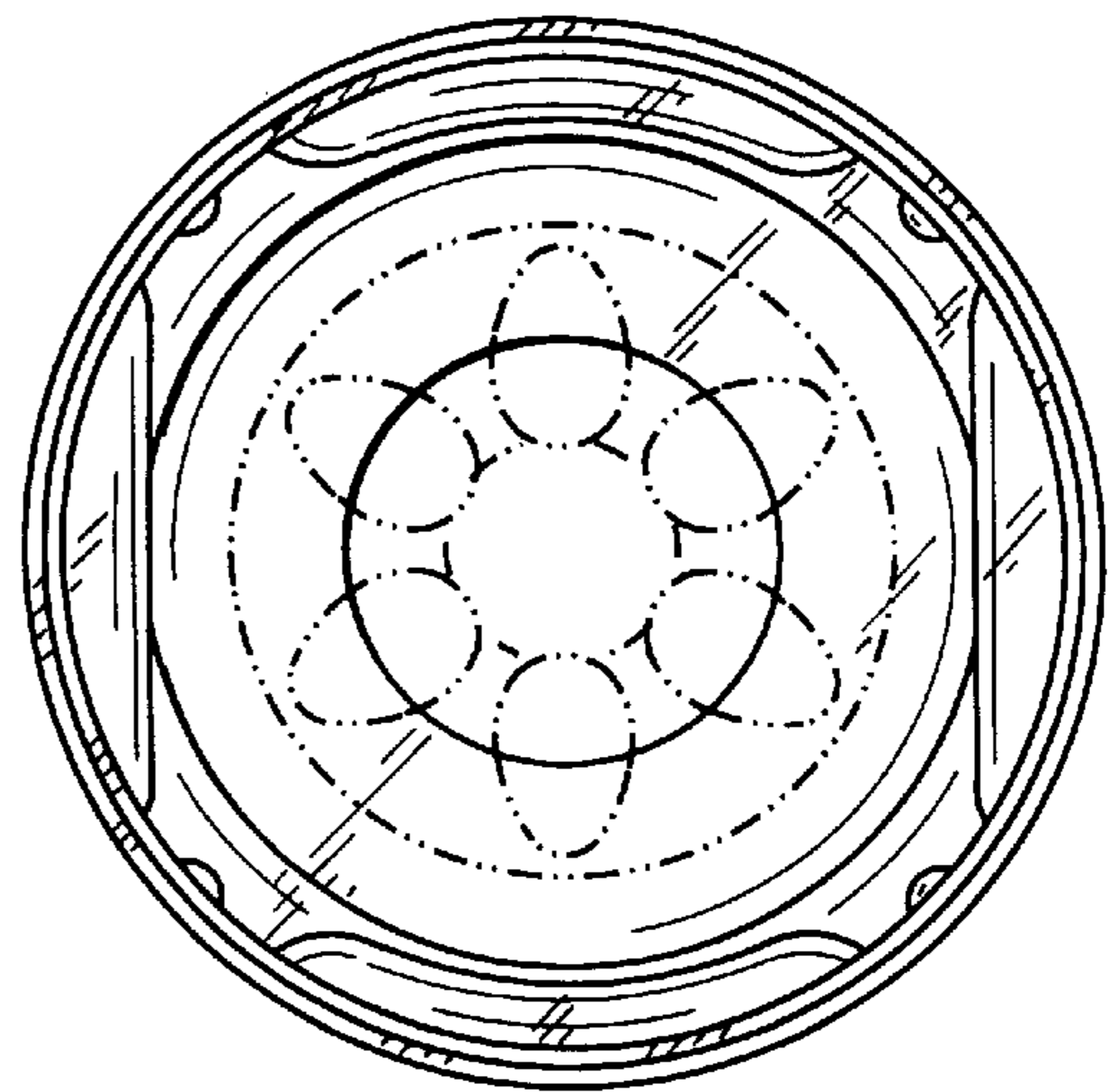


FIG. 12

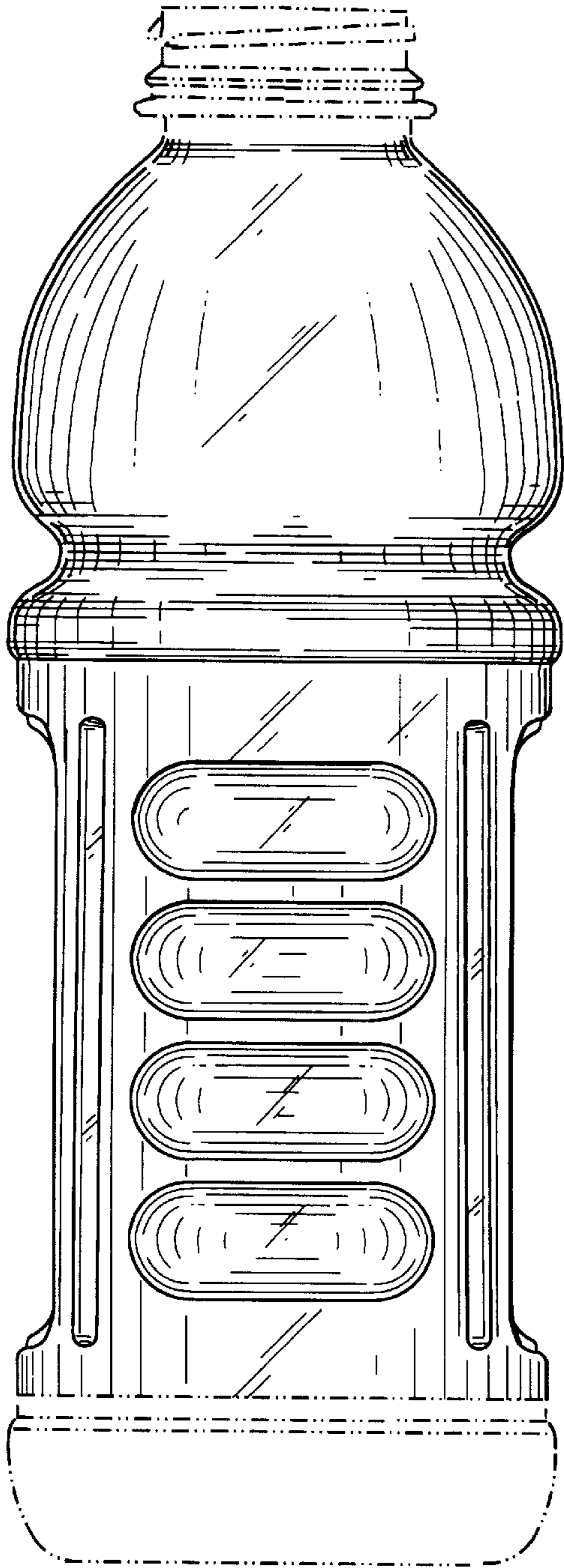


FIG. 13

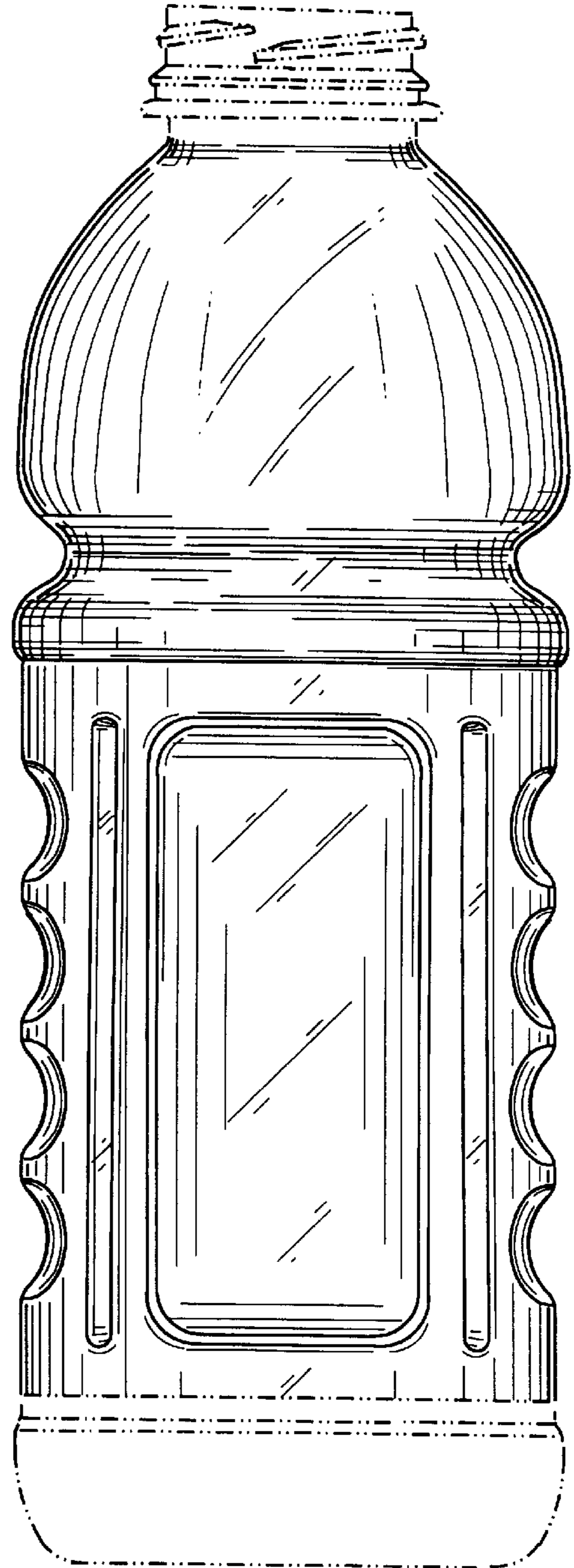


FIG. 16

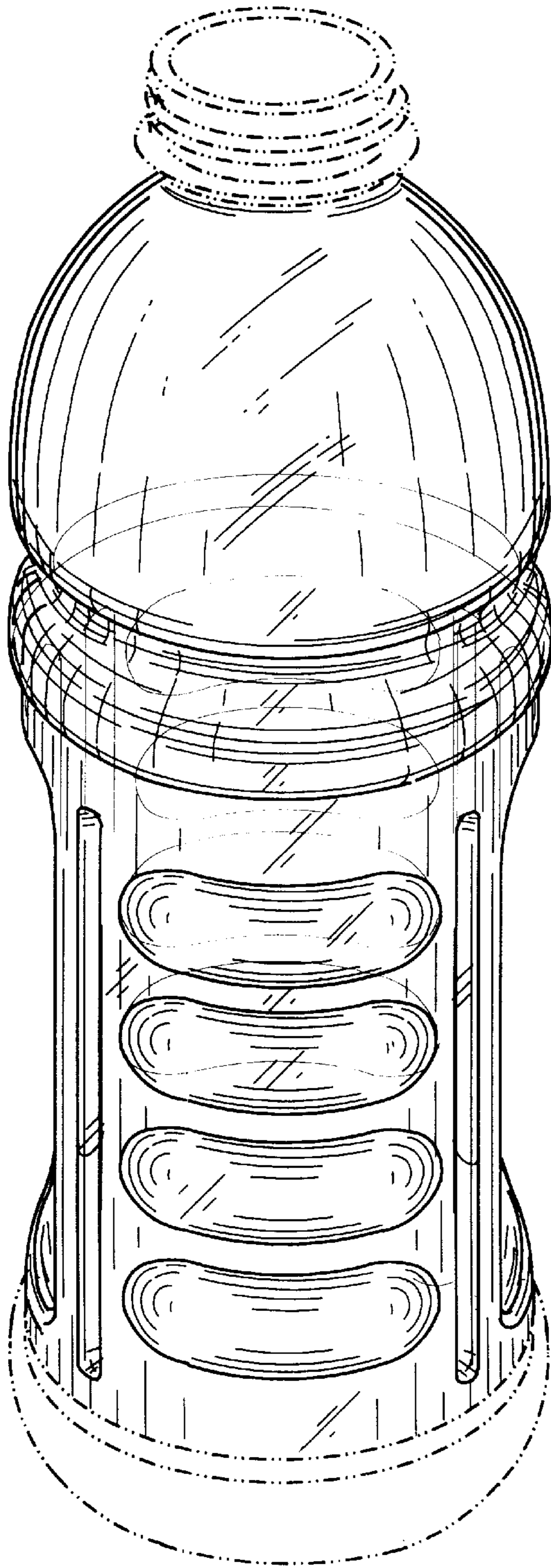


FIG. 19

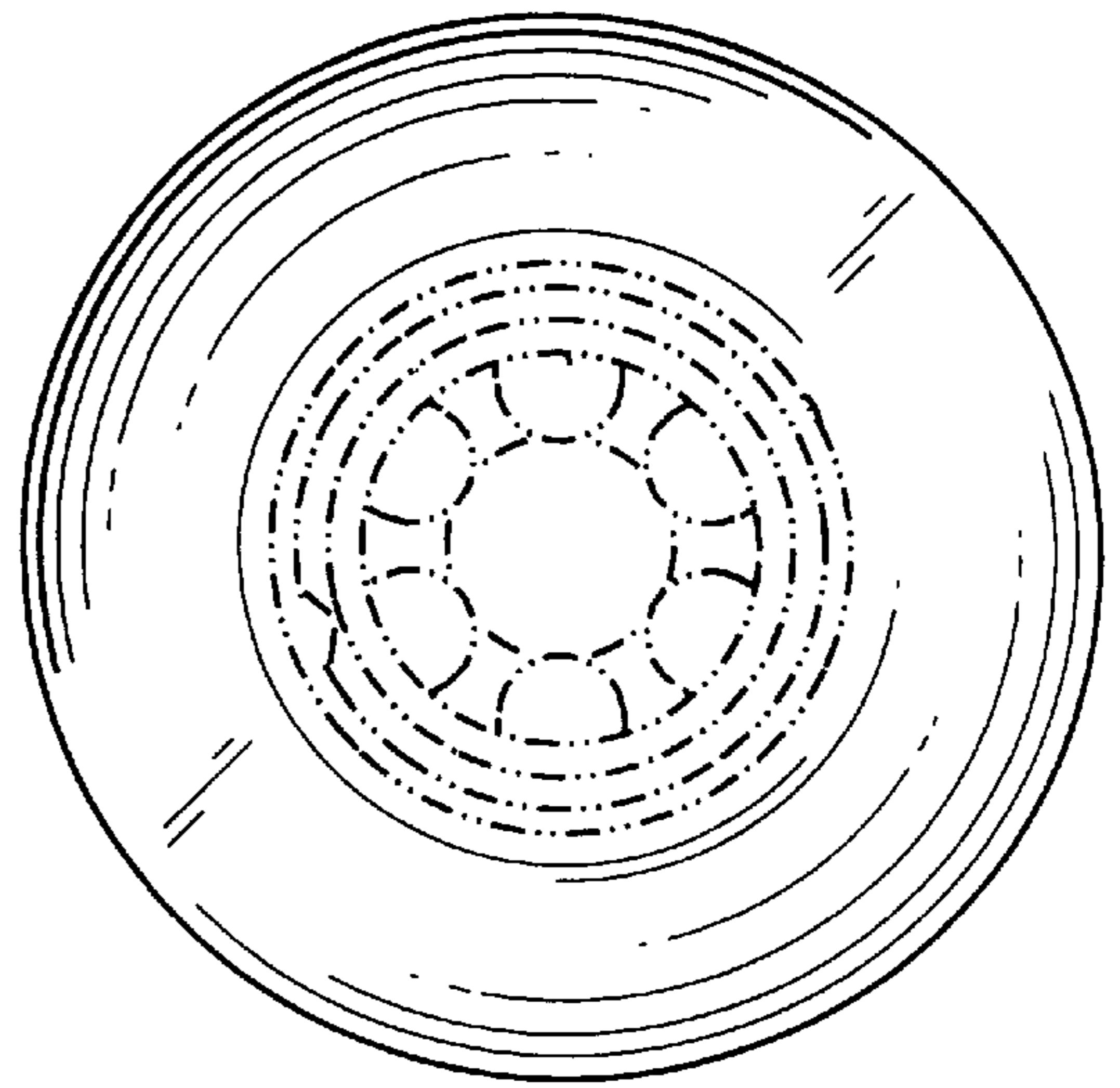


FIG. 20

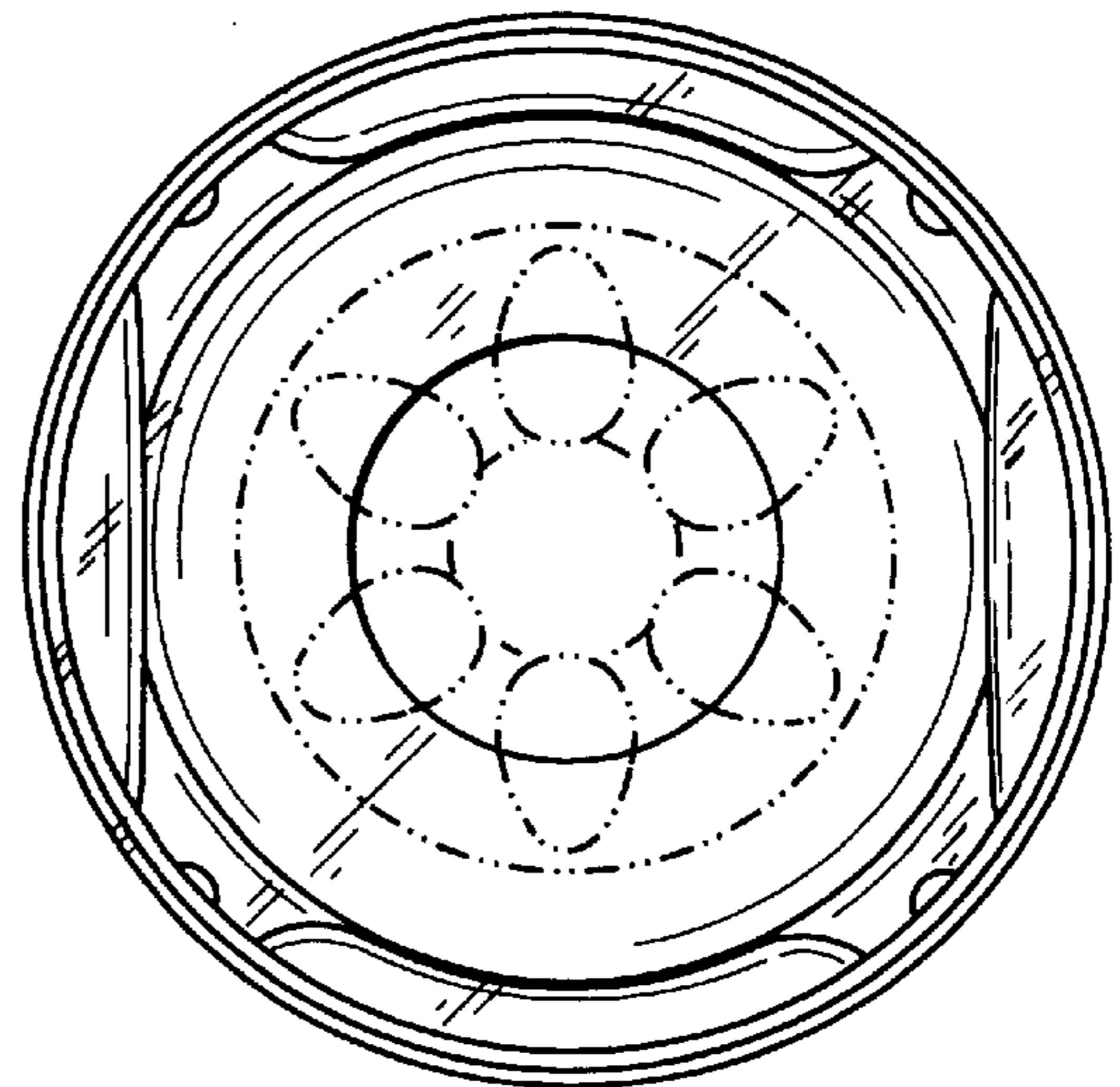


FIG. 17

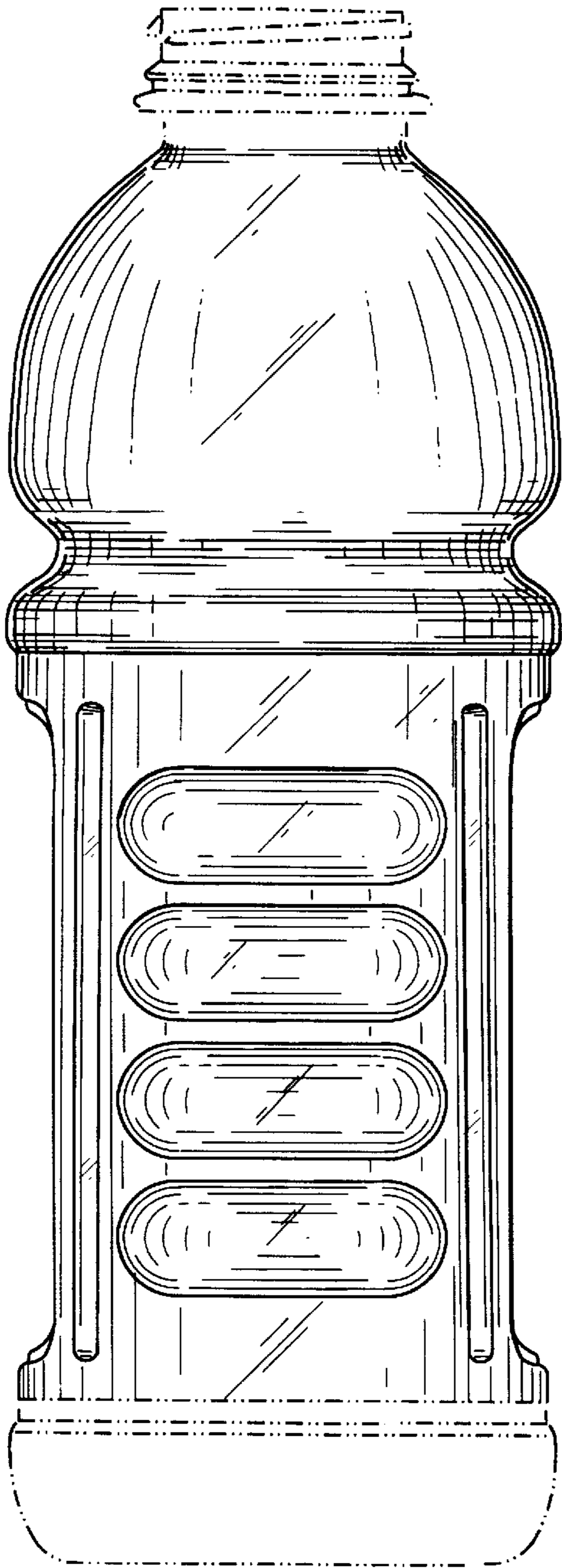


FIG. 18

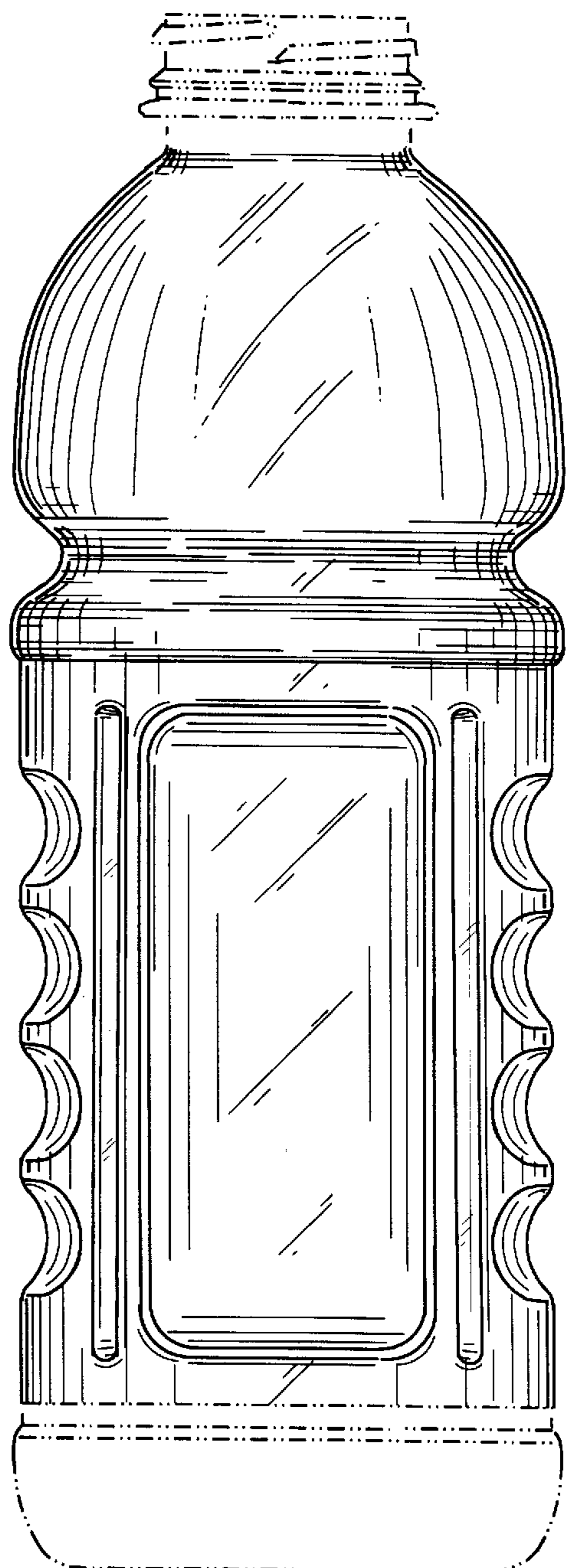


FIG. 21

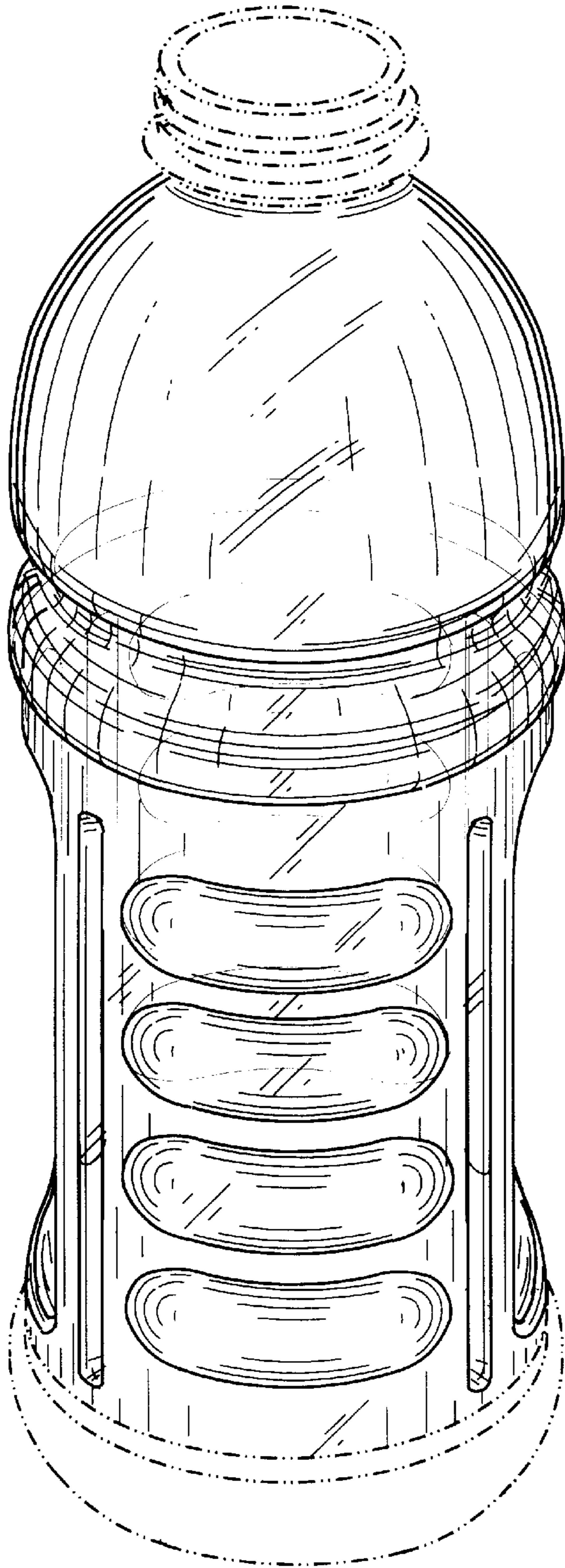


FIG. 24

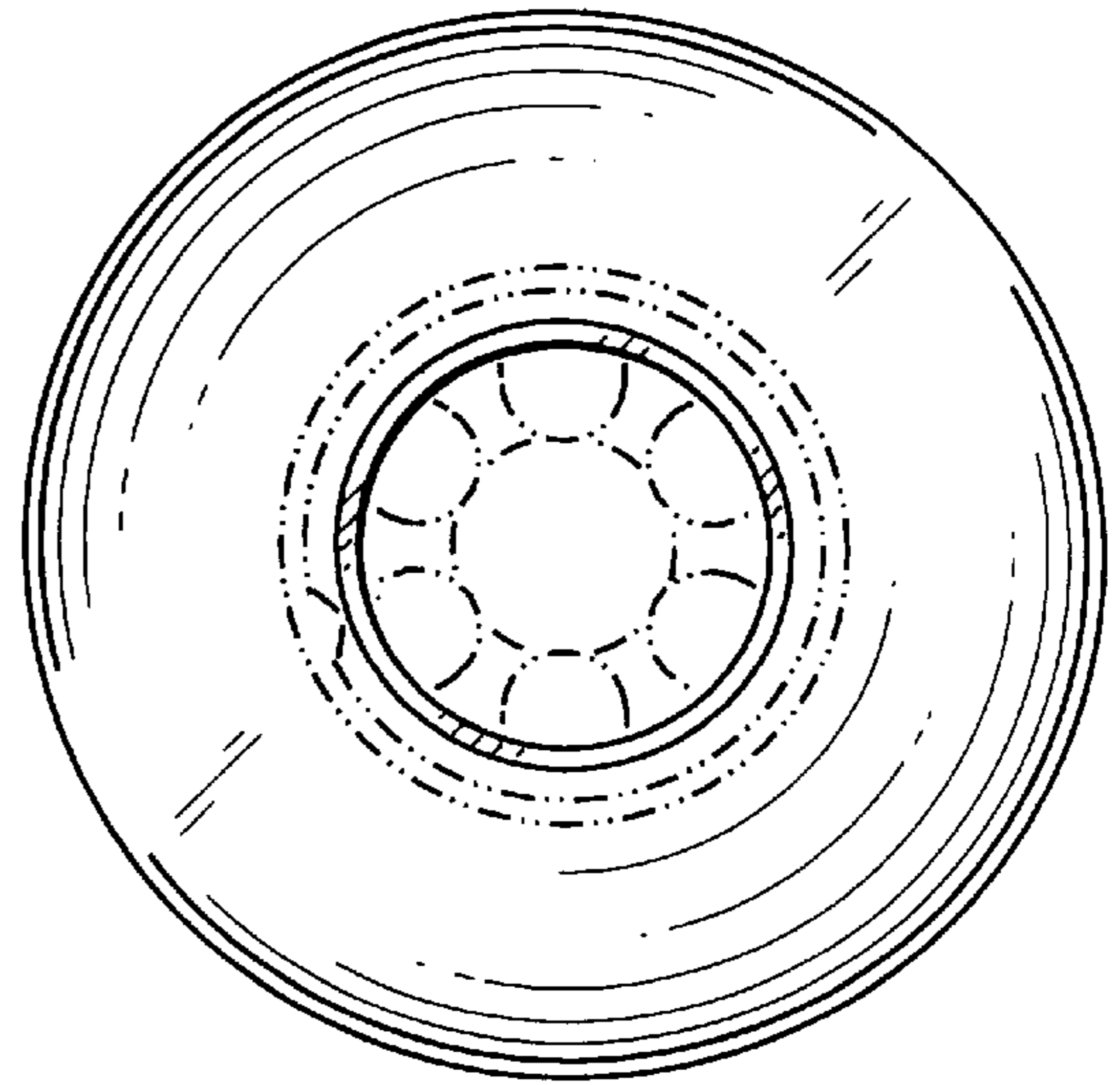


FIG. 25

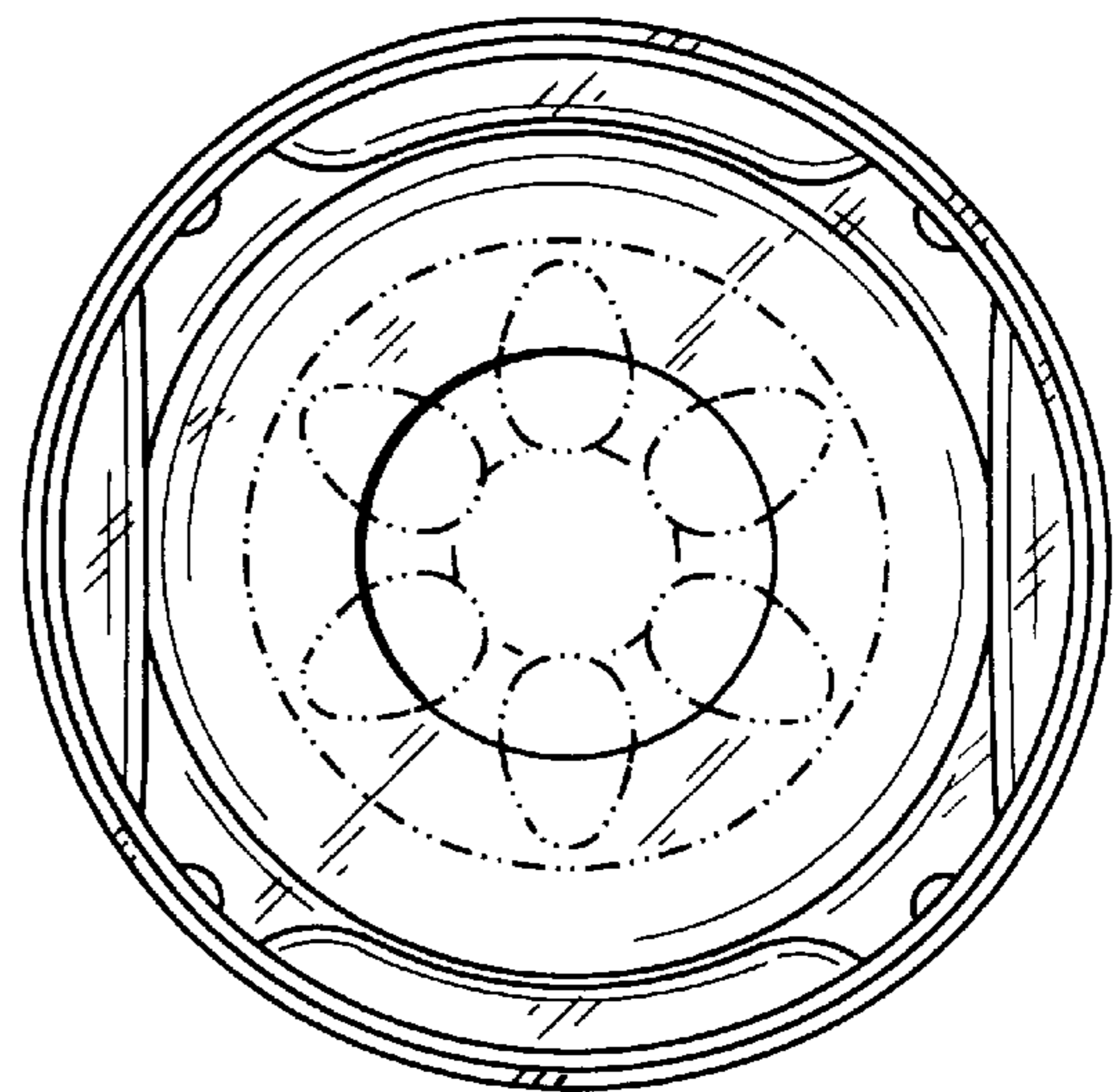


FIG. 22

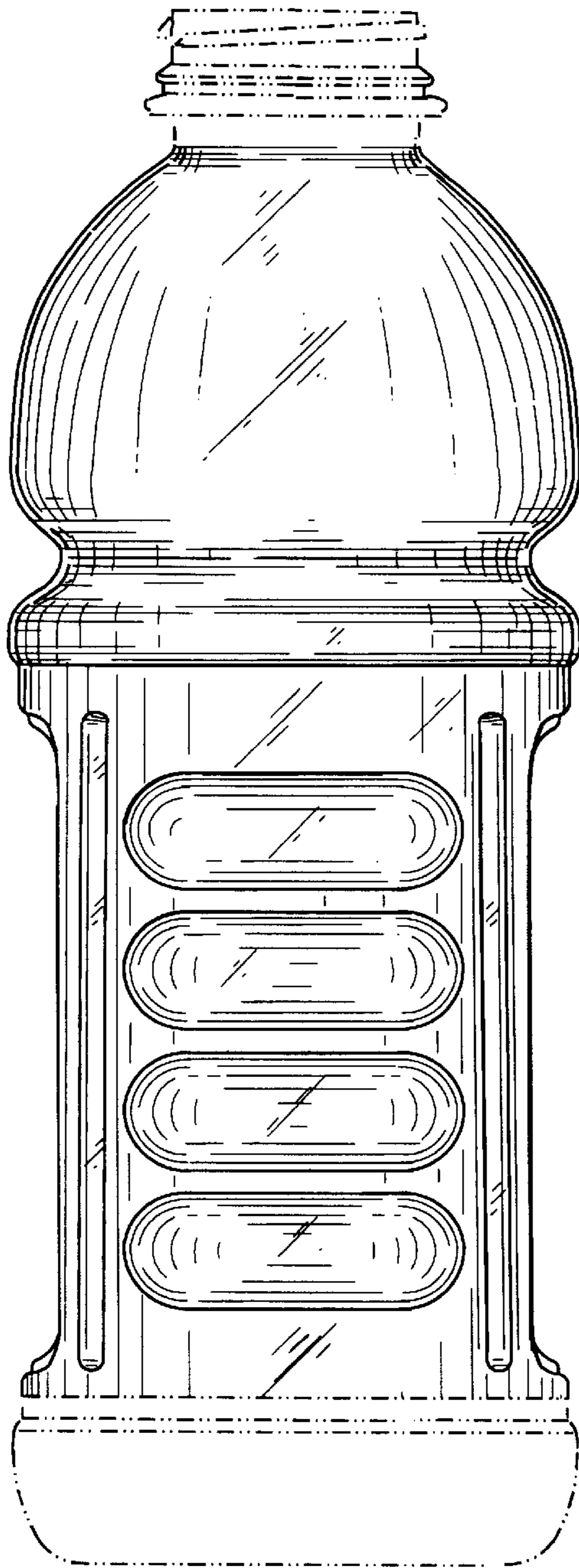


FIG. 23

