



US00D443820S

(12) **United States Design Patent**
Crawford et al.

(10) **Patent No.:** **US D443,820 S**
(45) **Date of Patent:** **** Jun. 19, 2001**

(54) **CLOSURE**

(75) Inventors: **John C. Crawford**, Mahopac, NY
(US); **Patrick Calello**, Roseland, NJ
(US)

(73) Assignee: **Colgate-Palmolive Company**, New
York, NY (US)

(**) Term: **14 Years**

(21) Appl. No.: **29/123,735**

(22) Filed: **May 24, 2000**

(51) **LOC (7) Cl.** **09-07**

(52) **U.S. Cl.** **D9/453; D9/439**

(58) **Field of Search** D9/435, 439, 443,
D9/452, 453, 454; 215/316, 328, 355; 220/288,
376

(56) **References Cited**

U.S. PATENT DOCUMENTS

D. 202,228 9/1965 Vuilleminot .

D. 240,716 * 7/1976 Hegi D9/440
D. 325,167 * 4/1992 Humfress D9/453
D. 382,482 * 8/1997 Lathrop et al. D9/453
3,233,798 2/1966 Abbott .
4,863,058 9/1989 Antoni .
5,875,907 * 3/1999 Lay 215/253
5,984,125 * 11/1999 Price et al. 215/253

* cited by examiner

Primary Examiner—Cathron Brooks

(74) *Attorney, Agent, or Firm*—Michael J. McGreal

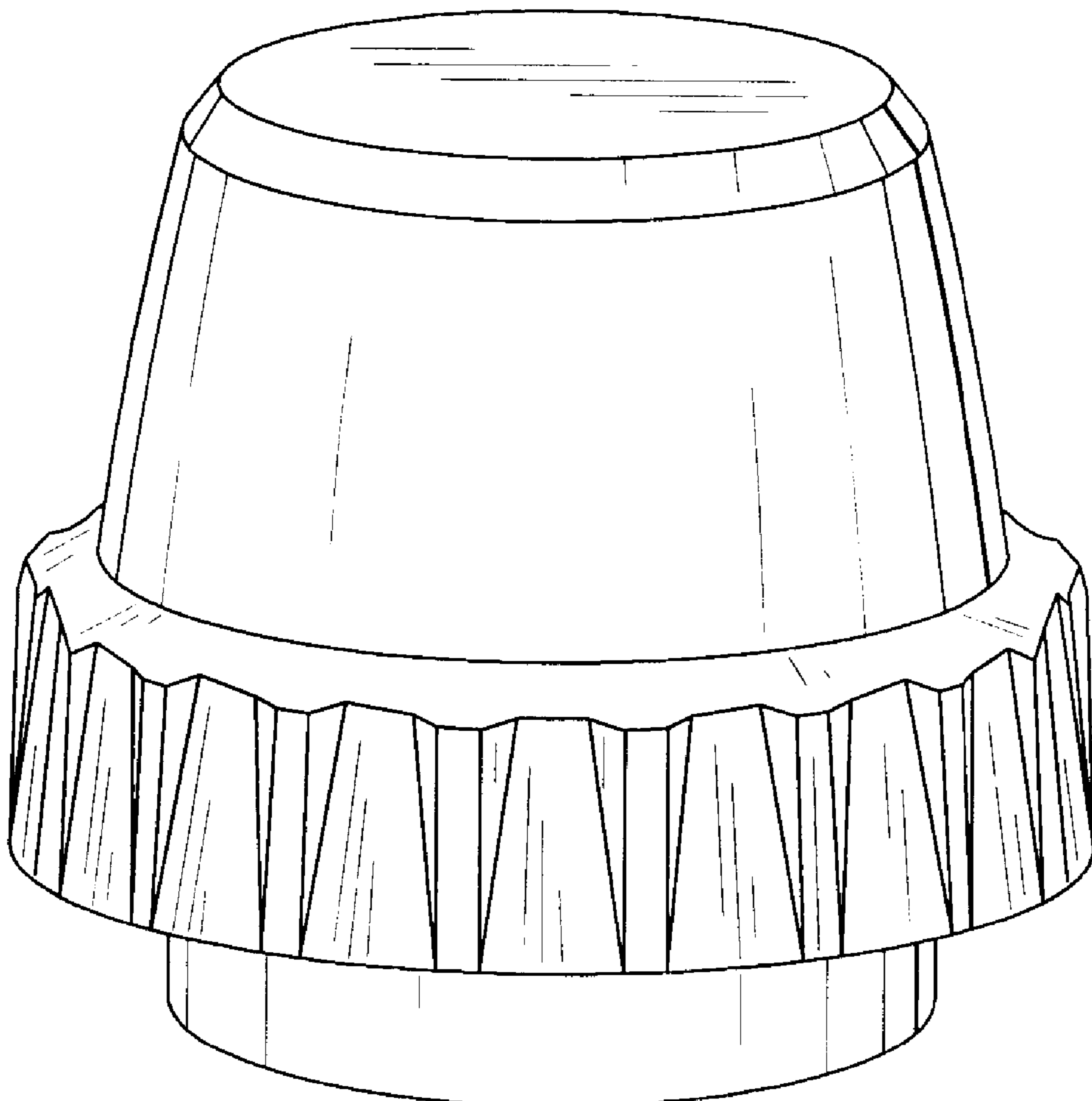
(57) **CLAIM**

The ornamental design for a closure, as shown and described.

DESCRIPTION

FIG. 1 is a perspective view of the closure of our design.
FIG. 2 is a side elevation view thereof.
FIG. 3 is a top plan view thereof; and,
FIG. 4 is a bottom plan view thereof.

1 Claim, 2 Drawing Sheets



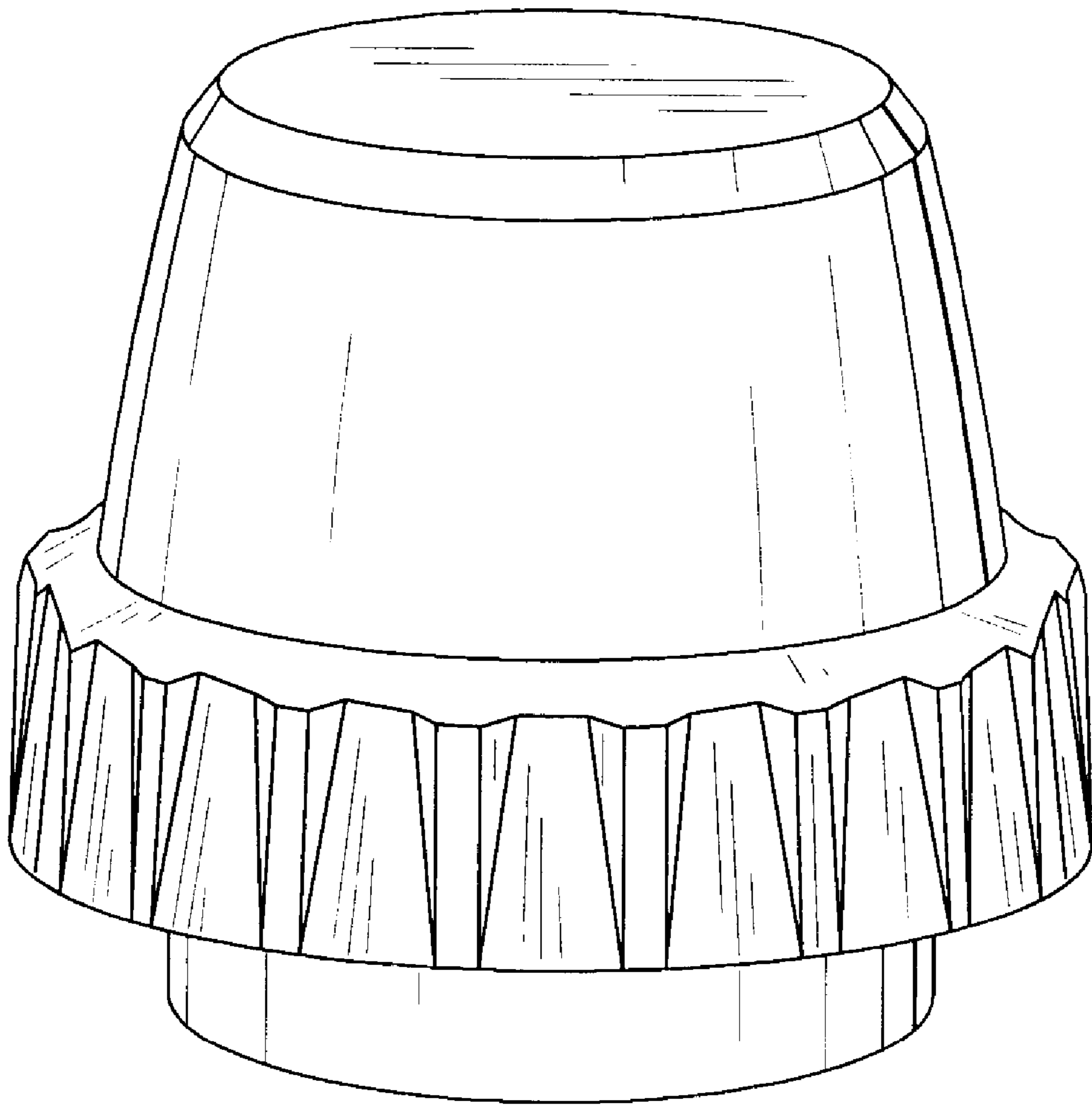


FIG. 1

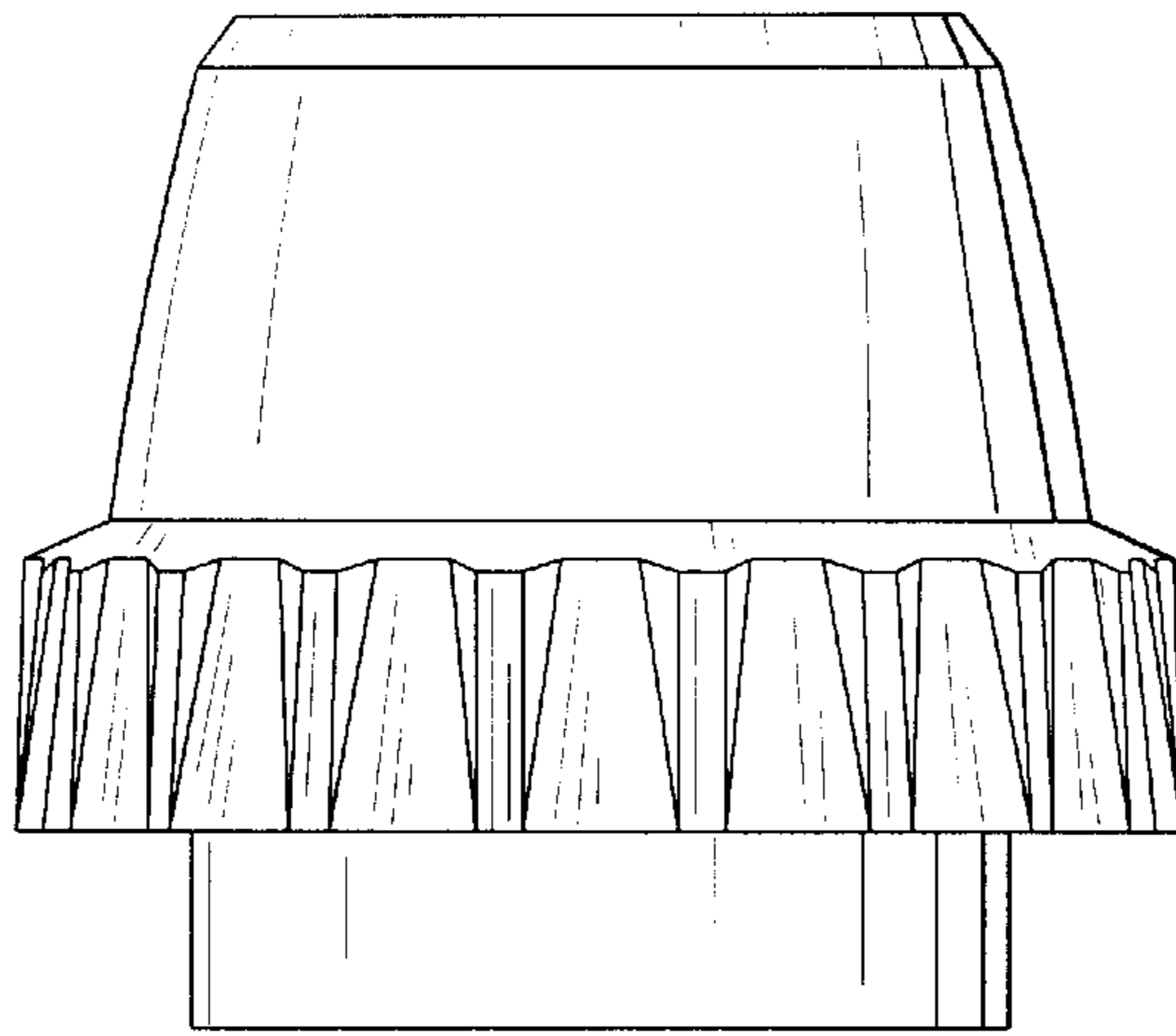


FIG. 2

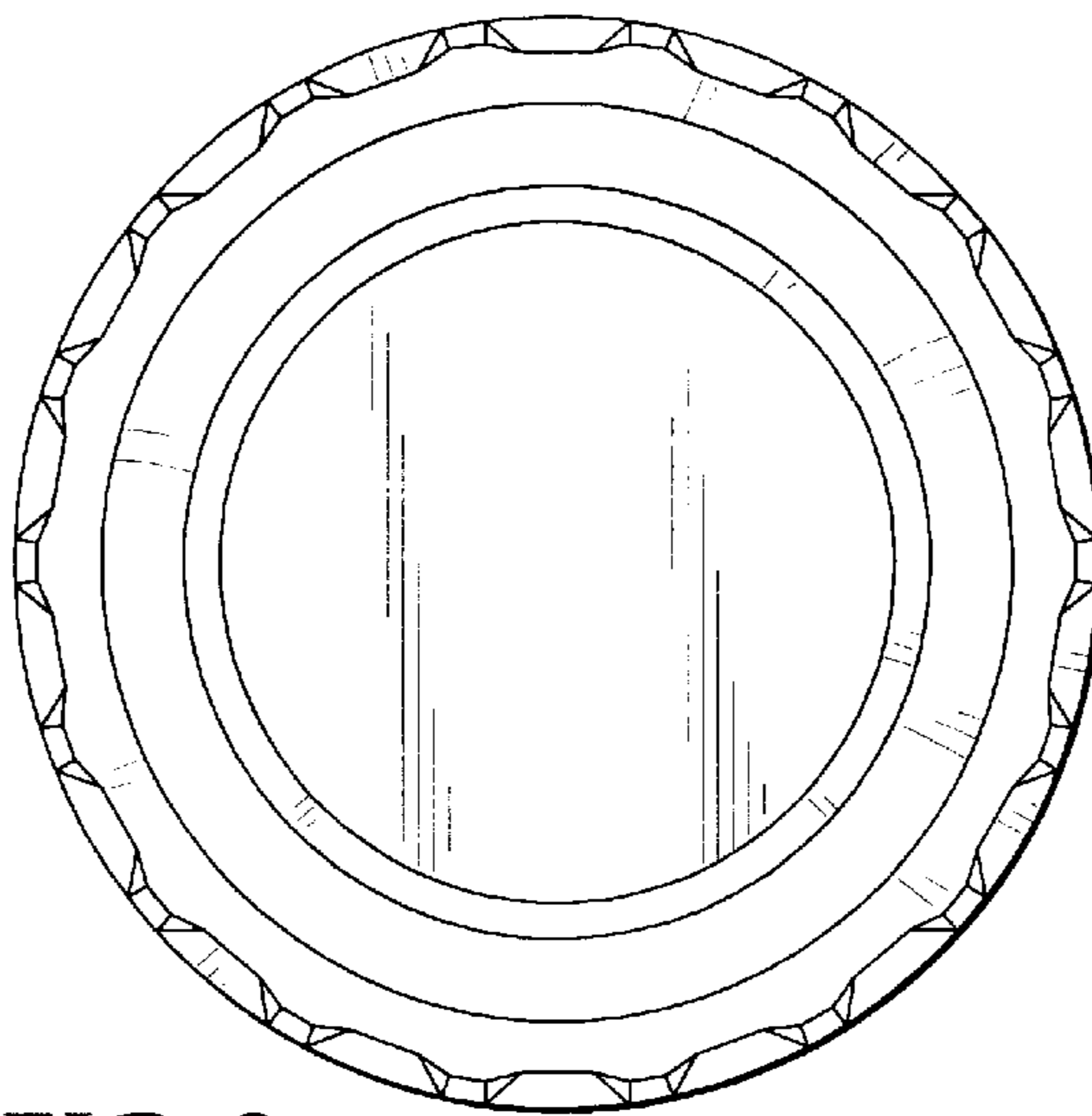


FIG. 3

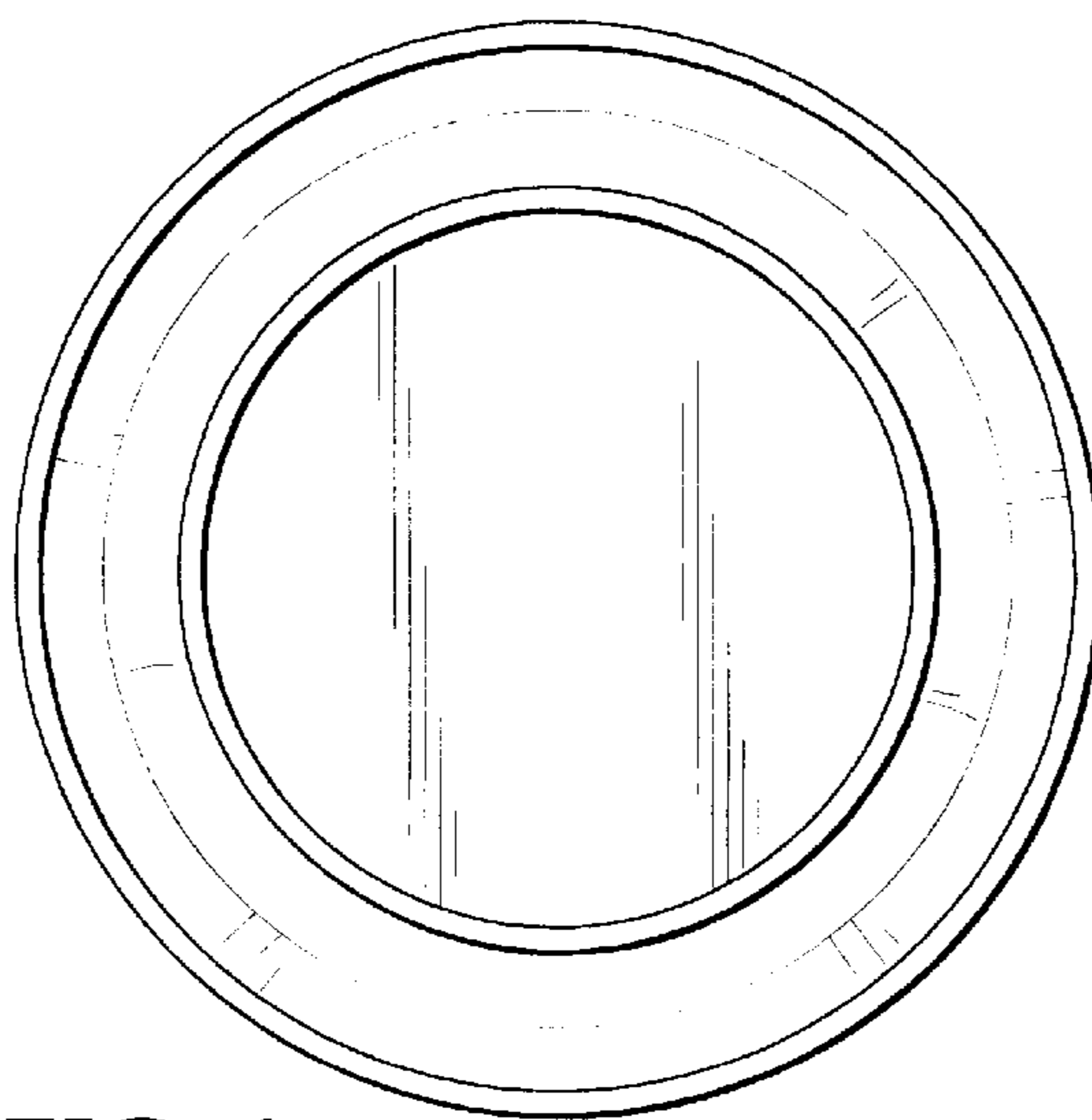


FIG. 4