



US00D443817S

(12) **United States Design Patent**
Jones

(10) **Patent No.:** **US D443,817 S**

(45) **Date of Patent:** **** Jun. 19, 2001**

(54) **CANDY DISPENSING DEVICE**

(76) **Inventor:** **Robin Jones**, 14234 Cypress Meadow,
Cypress, TX (US) 77429

(**) **Term:** **14 Years**

(21) **Appl. No.:** **29/122,340**

(22) **Filed:** **Apr. 25, 2000**

(51) **LOC (7) Cl.** **09-03**

(52) **U.S. Cl.** **D9/339; D9/311; D11/160;**
D7/599; D6/515

(58) **Field of Search** D6/515, 517; D7/590,
D7/595, 599; D11/157, 158, 160; D9/311,
339; 221/45, 282, 284; 222/173, 105

(56) **References Cited**

U.S. PATENT DOCUMENTS

| | | | | | |
|------------|---|---------|-------------------|-------|-----------|
| D. 350,304 | * | 9/1994 | Oliver et al. | | D11/160 |
| D. 351,814 | * | 10/1994 | Young, Sr. et al. | | D11/160 |
| D. 387,009 | * | 12/1997 | Rizidis et al. | | D11/160 |
| D. 425,901 | * | 5/2000 | Augusta | | D11/160 X |
| 1,859,635 | | 5/1932 | Rose | . | |
| 1,879,298 | | 9/1932 | Kayser | . | |

| | | | | | |
|-----------|---|---------|--------------|-------|-----------|
| 3,651,598 | * | 3/1972 | Lang | | D11/160 X |
| 4,295,579 | | 10/1981 | Haas | . | |
| 4,311,251 | | 1/1982 | Sternberg | . | |
| 4,966,305 | | 10/1990 | Hinterreiter | . | |
| 5,178,298 | | 1/1993 | Allina | . | |
| 5,191,995 | | 3/1993 | McDonald | . | |
| 5,566,857 | | 10/1996 | Rothman | . | |

* cited by examiner

Primary Examiner—Brian N. Vinson

(74) *Attorney, Agent, or Firm*—William P. Jensen, Esq.;
Shook, Hardy & Bacon, LLP

(57) **CLAIM**

The ornamental design for a candy dispensing device, as shown and described.

DESCRIPTION

FIG. 1 is a front view of a candy dispensing device;
FIG. 2 is a rear view thereof;
FIG. 3 is a top plan view thereof;
FIG. 4 is a bottom plan view thereof;
FIG. 5 is a right profile view thereof; and,
FIG. 6 is a left profile view thereof.

1 Claim, 5 Drawing Sheets

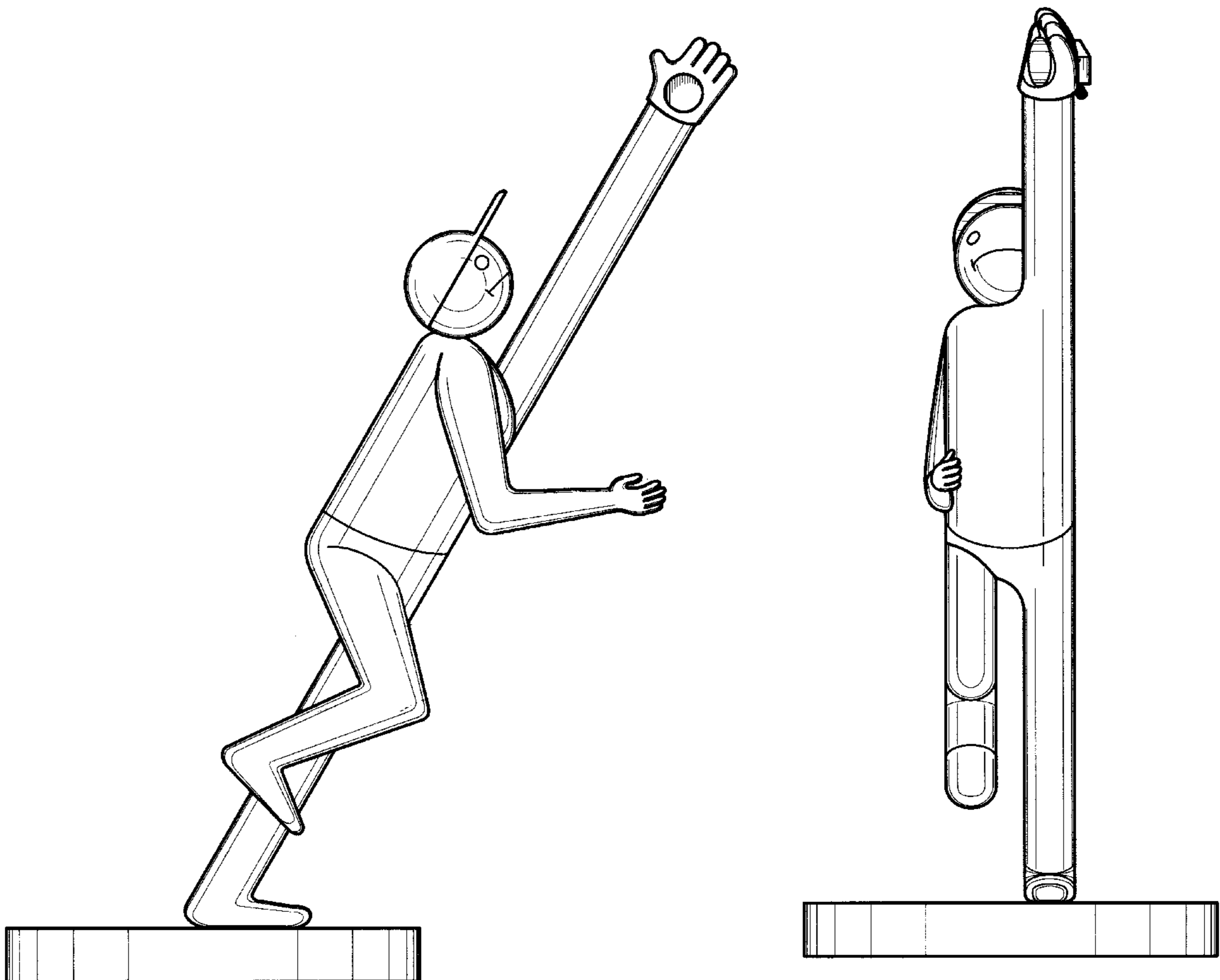
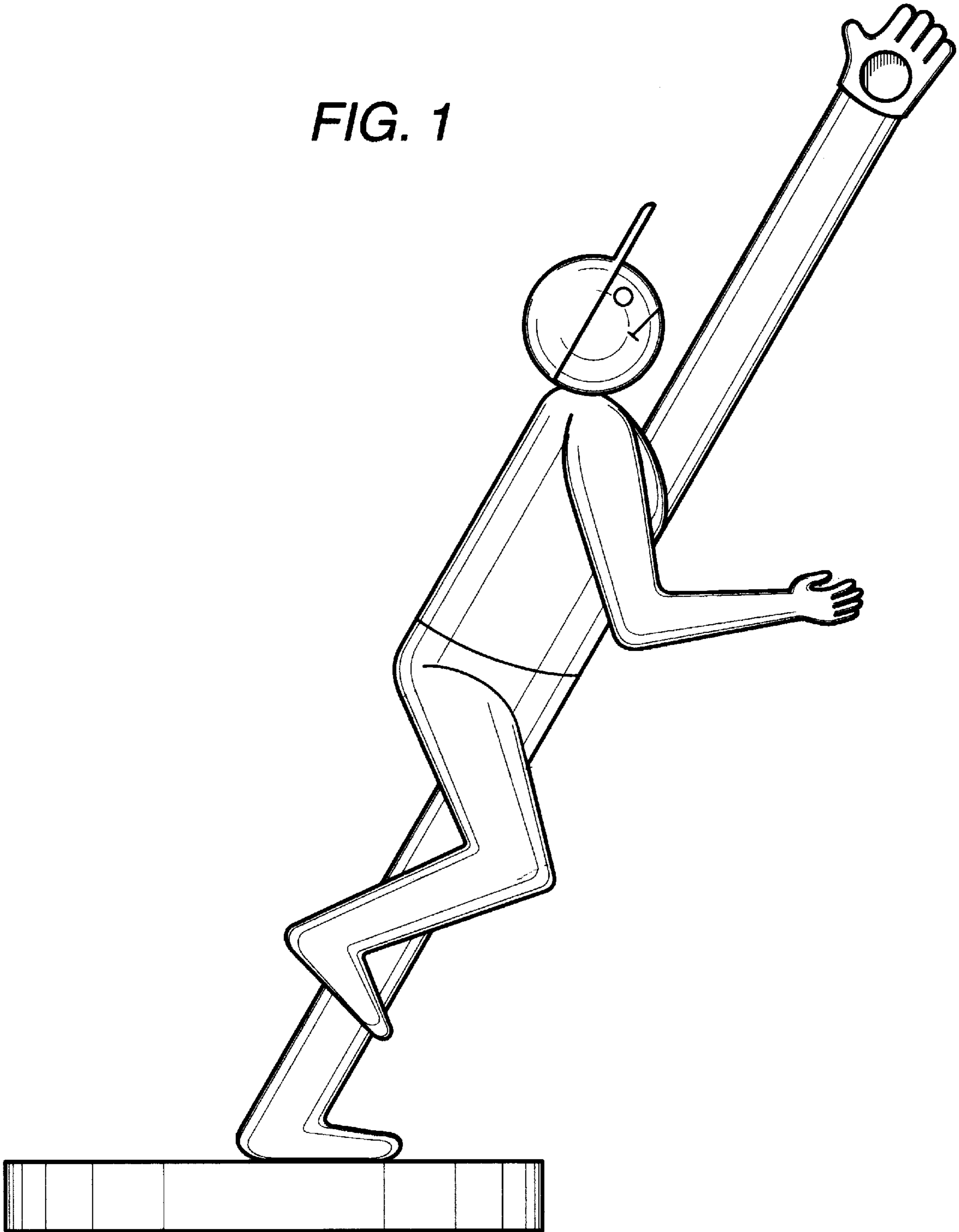


FIG. 1



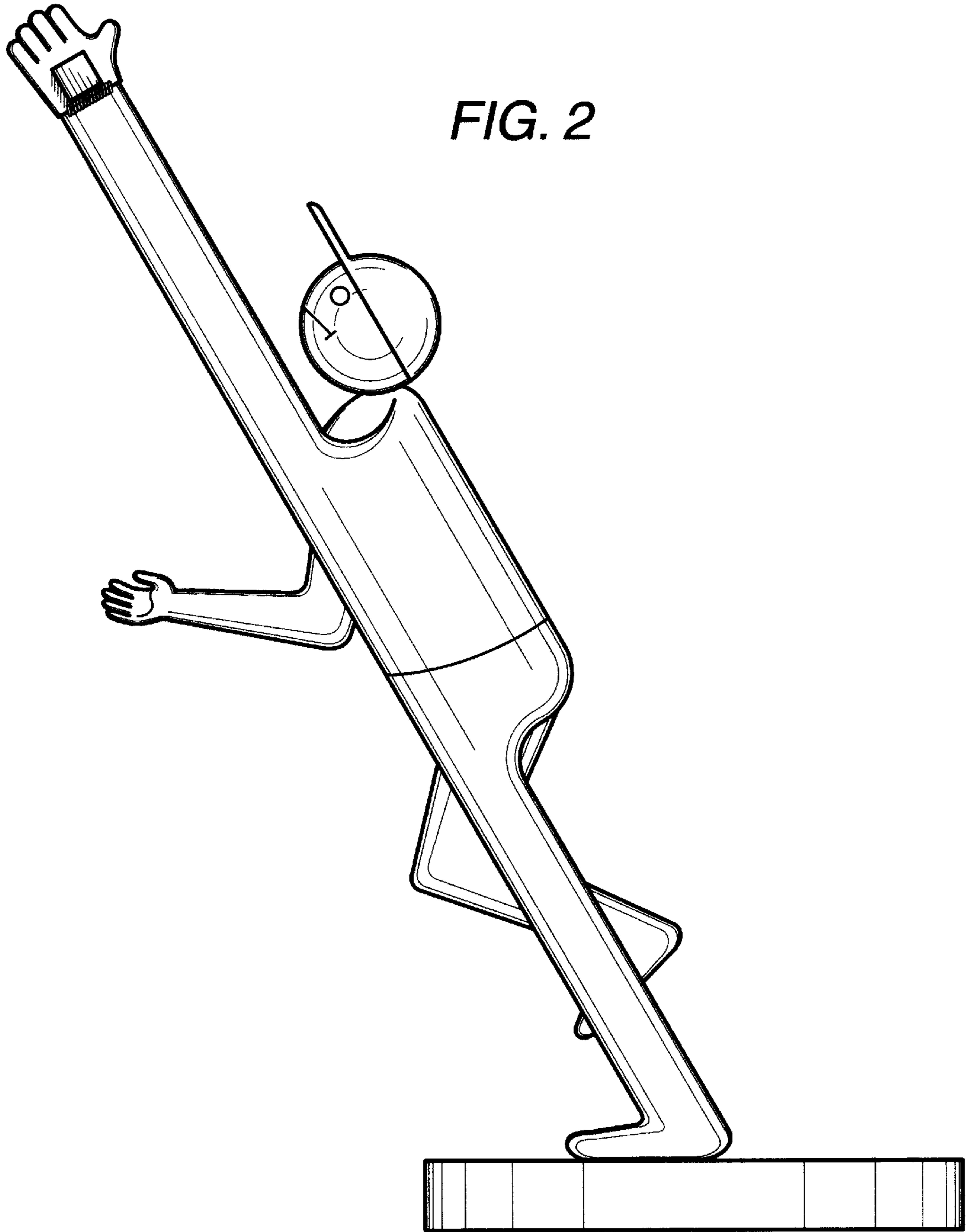


FIG. 3

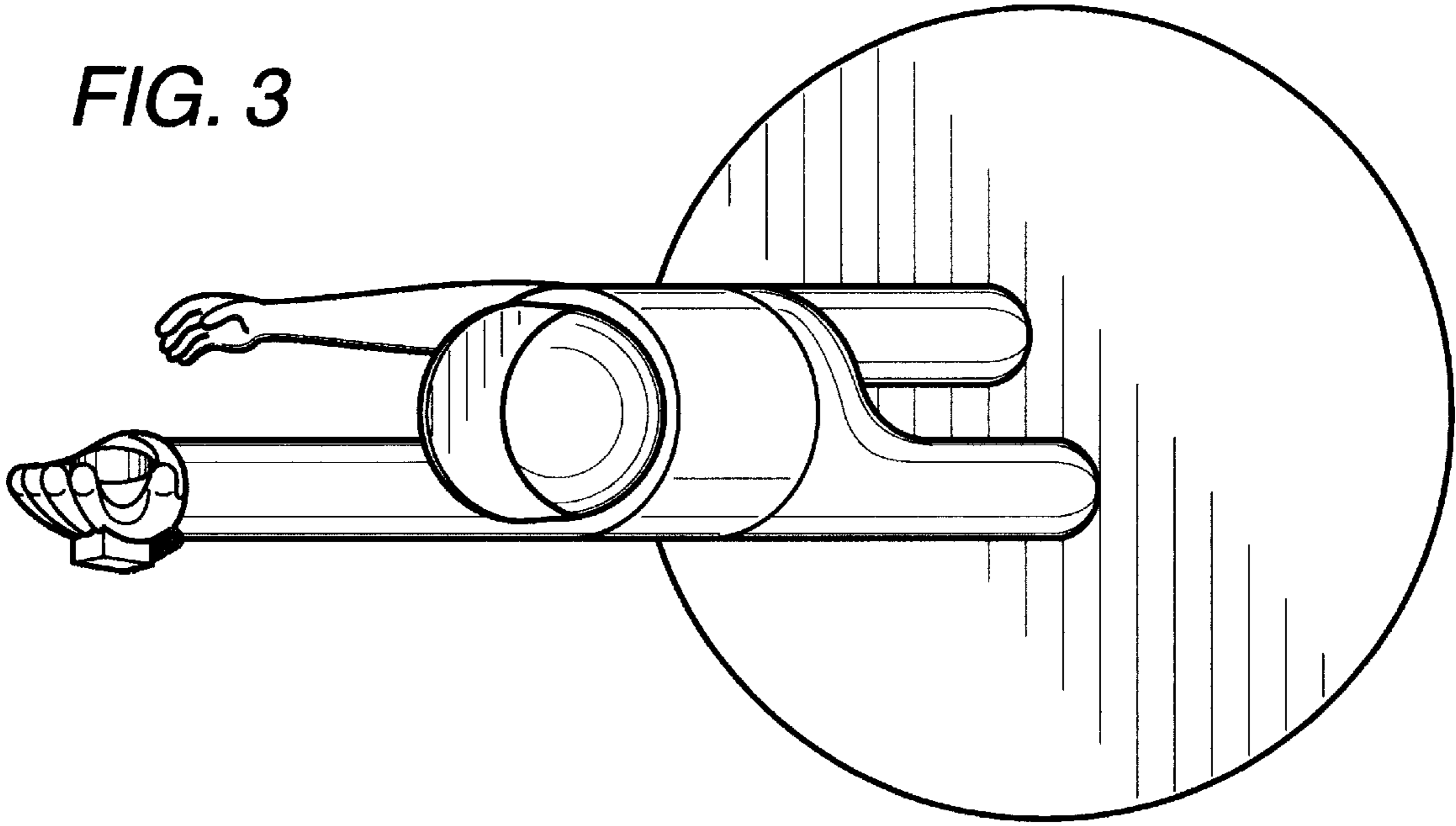


FIG. 4

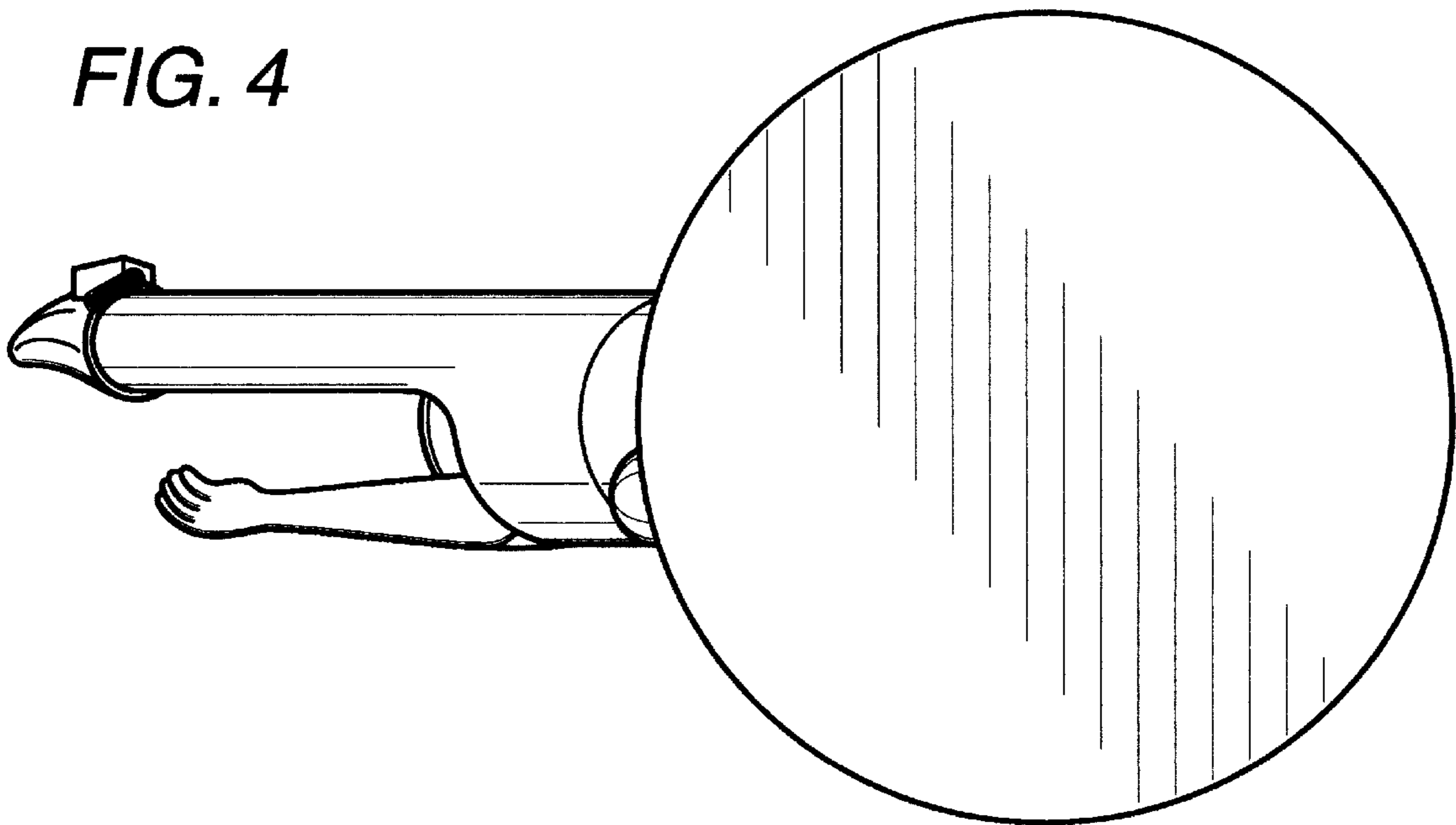


FIG. 5

