



US00D443816S

(12) **United States Design Patent**
Ikeda

(10) **Patent No.:** **US D443,816 S**

(45) **Date of Patent:** **** Jun. 19, 2001**

(54) **CORD END COVER**

(75) Inventor: **Yasuhiko Ikeda**, Toyonaka (JP)

(73) Assignee: **Nifco Inc.**, Yokohama (JP)

(**) Term: **14 Years**

(21) Appl. No.: **29/116,661**

(22) Filed: **Jan. 10, 2000**

(30) **Foreign Application Priority Data**

Jul. 15, 1999 (JP) 11-18723

(51) **LOC (7) Cl.** **08-08**

(52) **U.S. Cl.** **D8/396; D8/499**

(58) **Field of Search** D8/356, 383, 394,
D8/396, 499; D2/978; 24/129 R, 129 D,
132 WL, 543, 713.1, 713, 265 EC, 715.4

(56) **References Cited**

U.S. PATENT DOCUMENTS

- D. 367,755 * 3/1996 Jones D2/978
- D. 399,045 * 10/1998 Liston D2/978
- 2,961,727 * 11/1960 Coffey .
- 5,245,730 * 9/1993 Martin 24/129 R
- 5,666,699 * 9/1997 Takahashi .
- 5,671,508 * 9/1997 Murai 24/129 R

6,044,527 * 4/2000 Ishida et al. 24/129 R

* cited by examiner

Primary Examiner—B. J. Bullock

(74) *Attorney, Agent, or Firm*—Kanesaka & Takeuchi

(57) **CLAIM**

The ornamental design for a cord end cover, as shown and described.

DESCRIPTION

FIG. 1 is a perspective view of a cord end cover showing my new design;

FIG. 2 is a front view thereof;

FIG. 3 is a rear view thereof;

FIG. 4 is a top plan view thereof;

FIG. 5 is a bottom plan view thereof;

FIG. 6 is a left side view thereof, the right side view being symmetrical to the left side view;

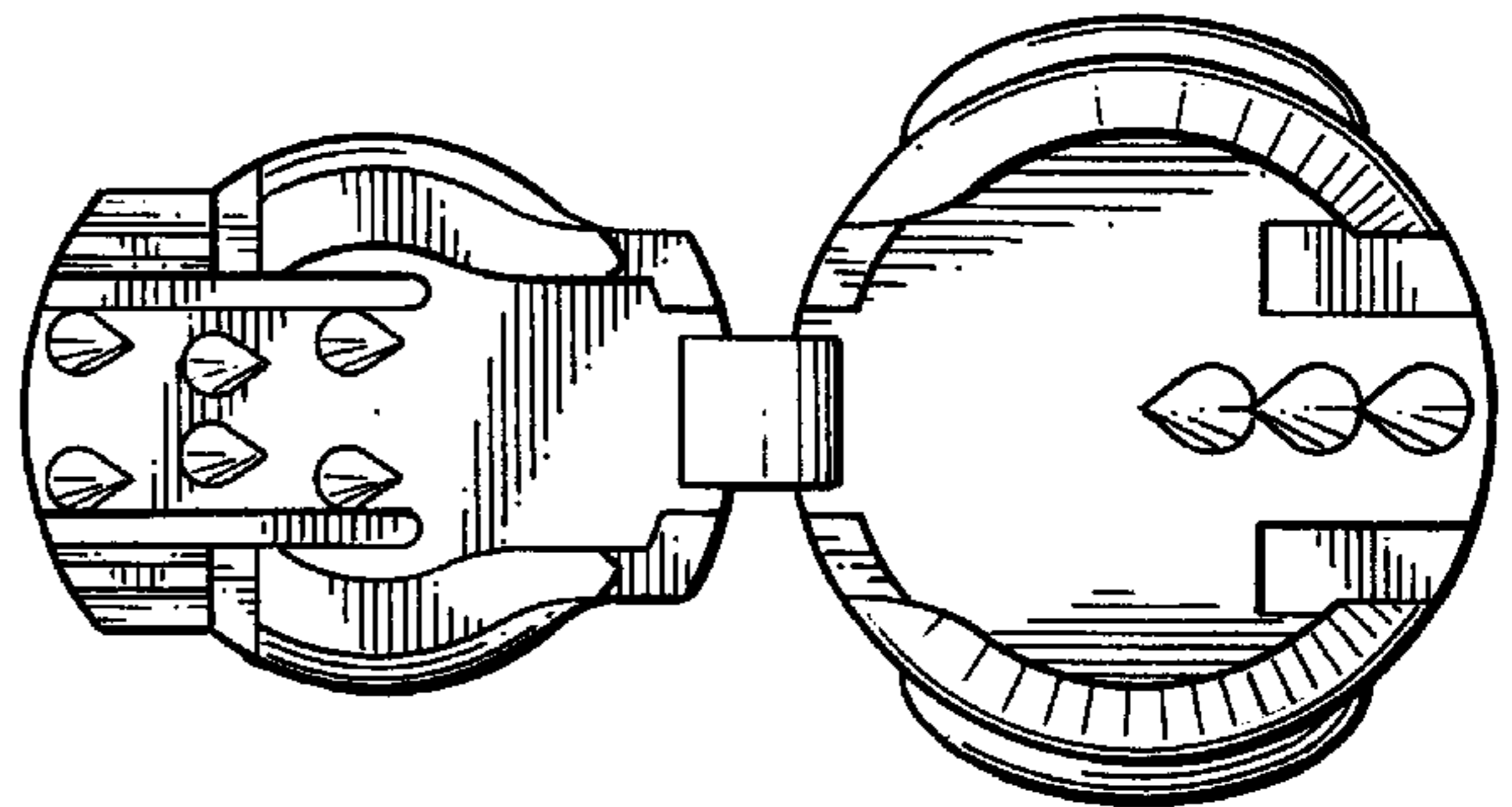
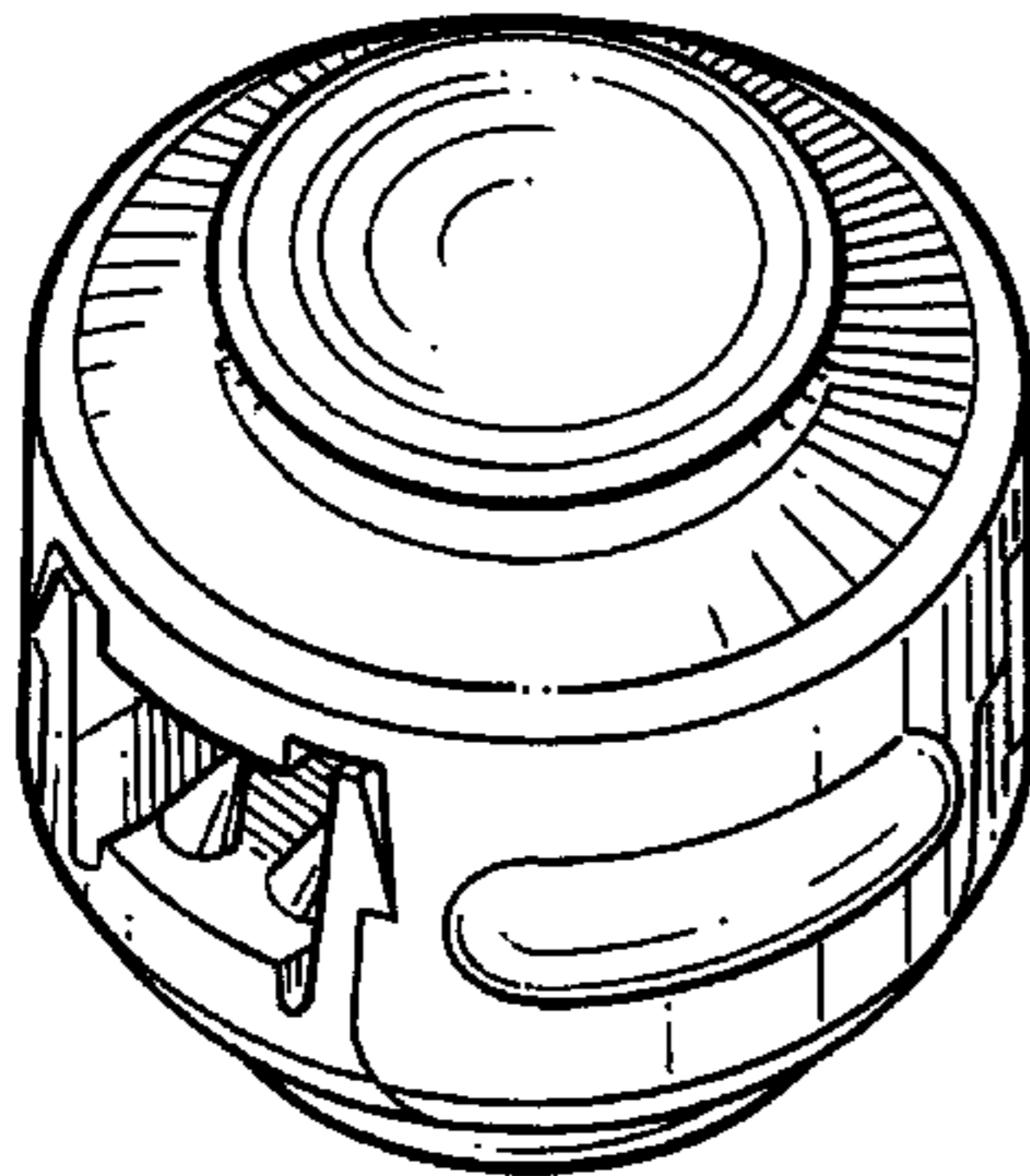
FIG. 7 is a cross sectional view taken along line 7—7 in FIG. 2;

FIG. 8 is a front view of the cord end cover in an opened condition;

FIG. 9 is a top plan view of FIG. 8; and,

FIG. 10 is a bottom plan view of FIG. 8.

1 Claim, 3 Drawing Sheets



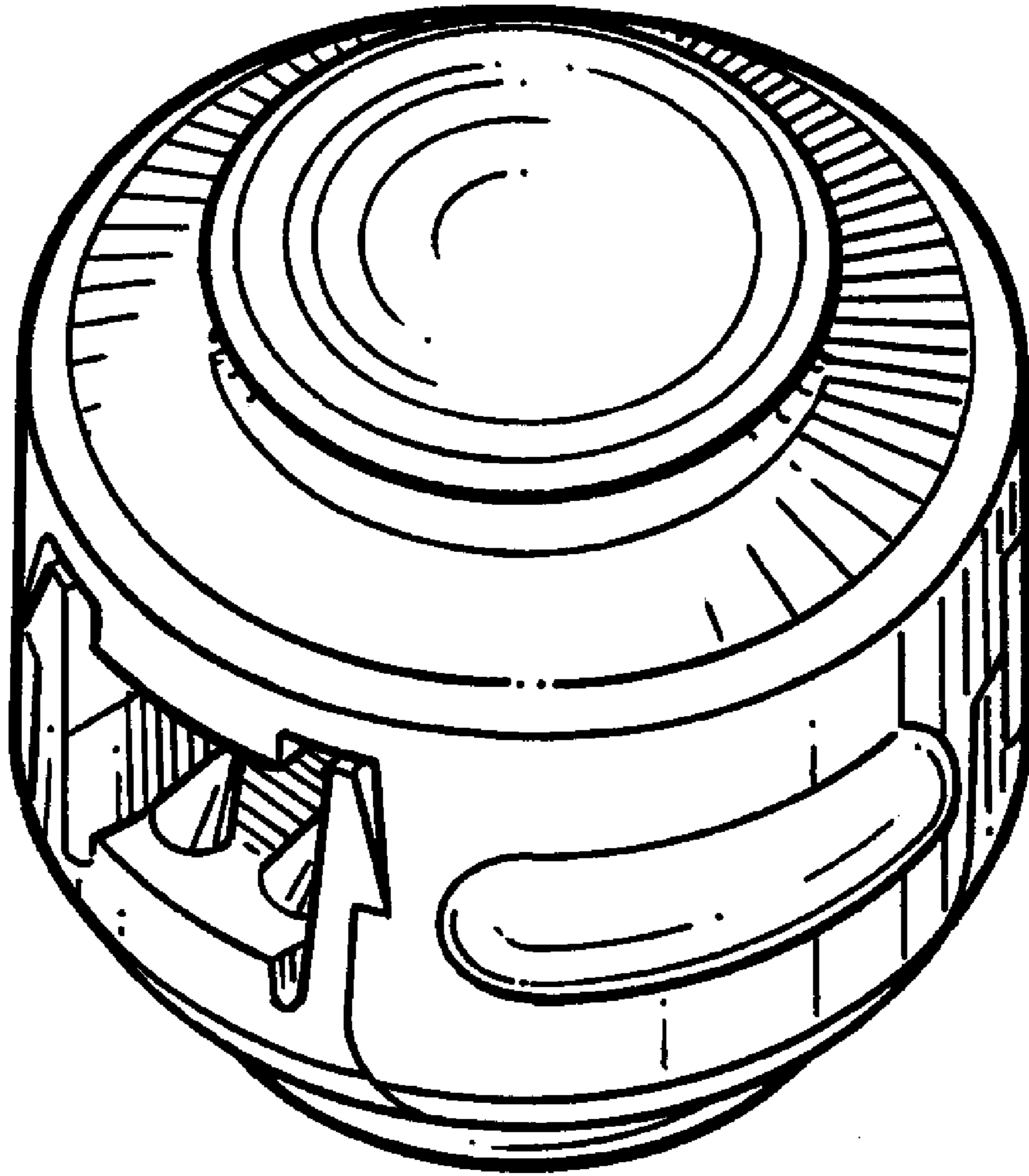
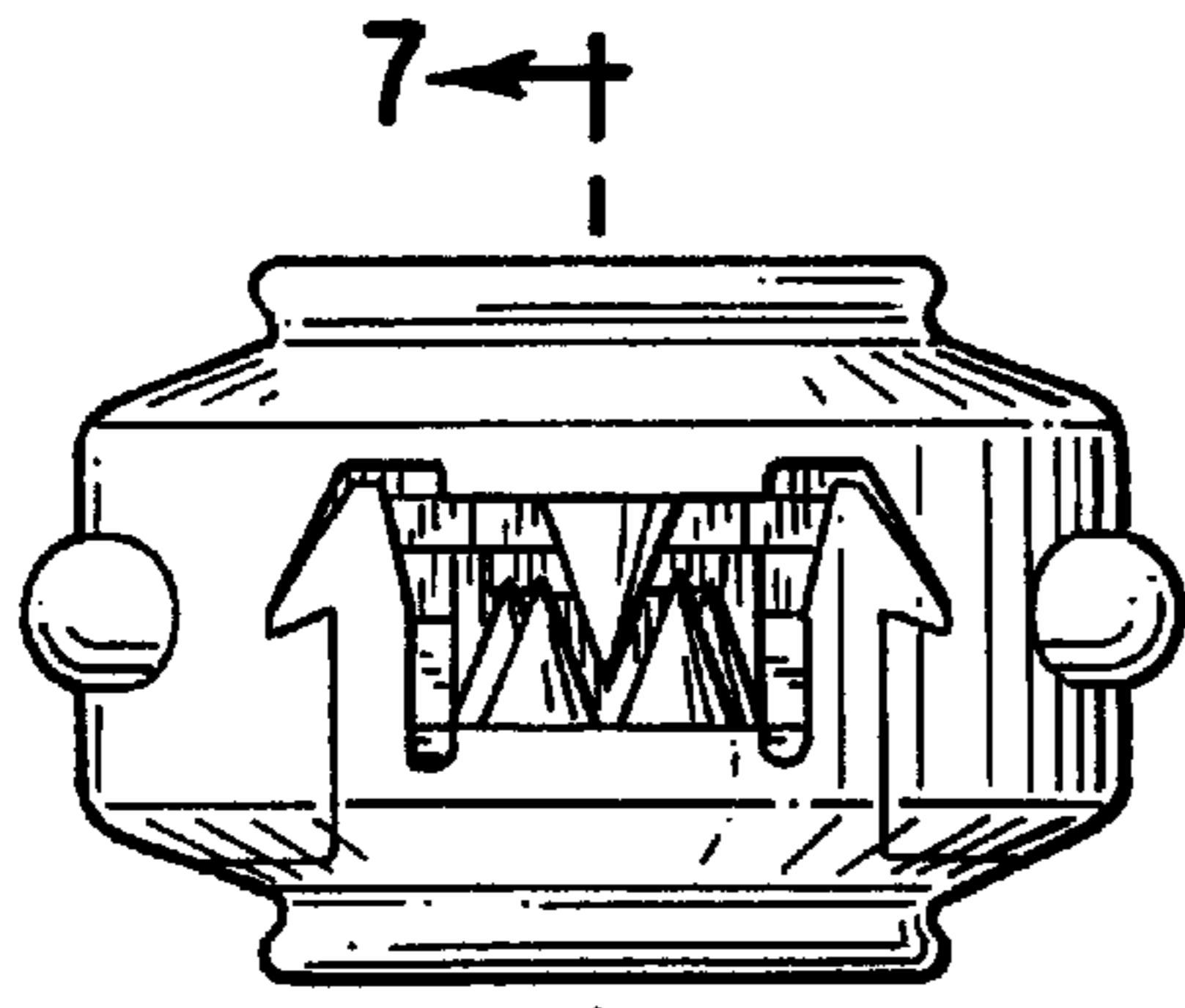


FIG. 1



7-7
FIG. 2

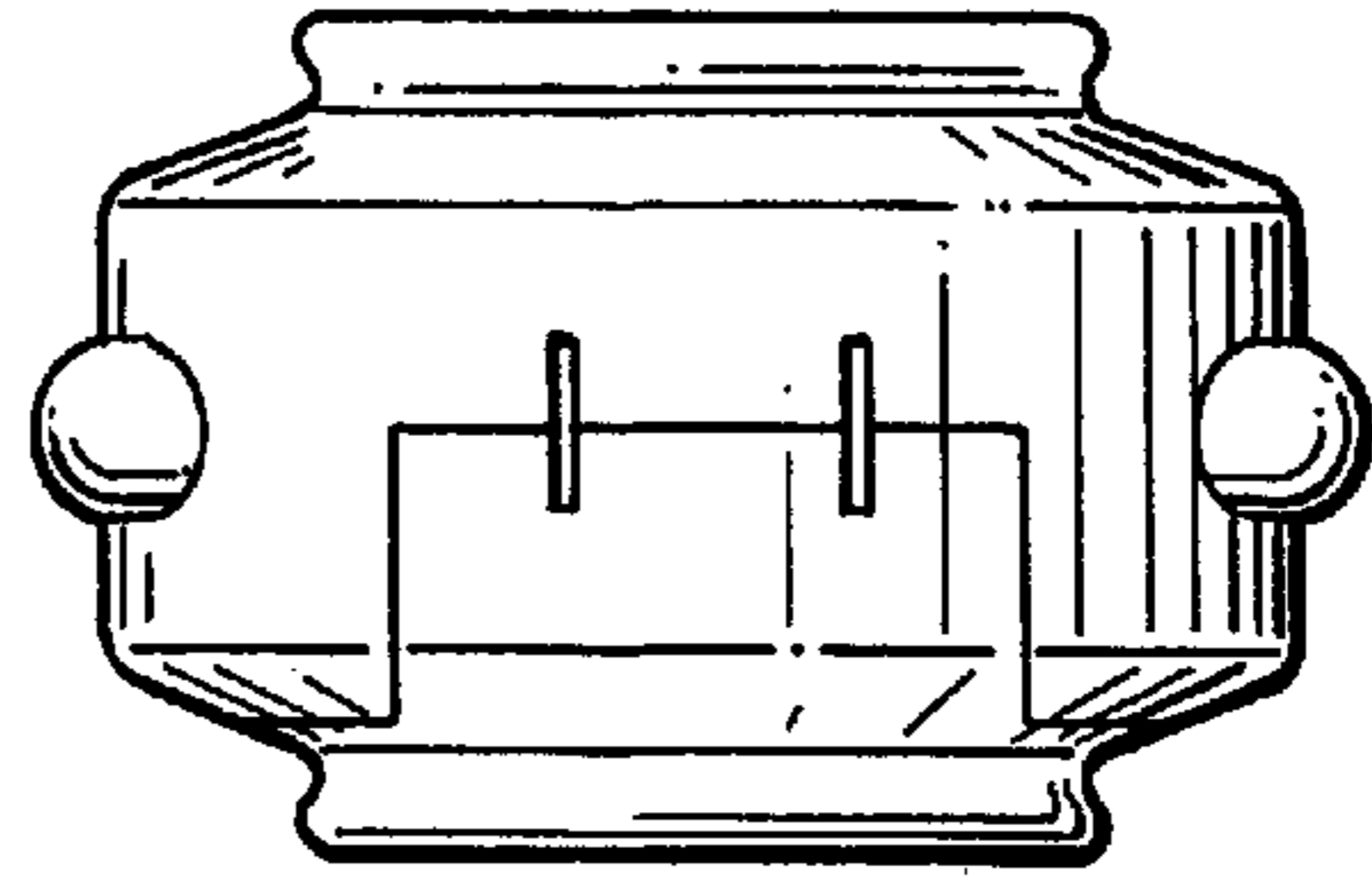


FIG. 3

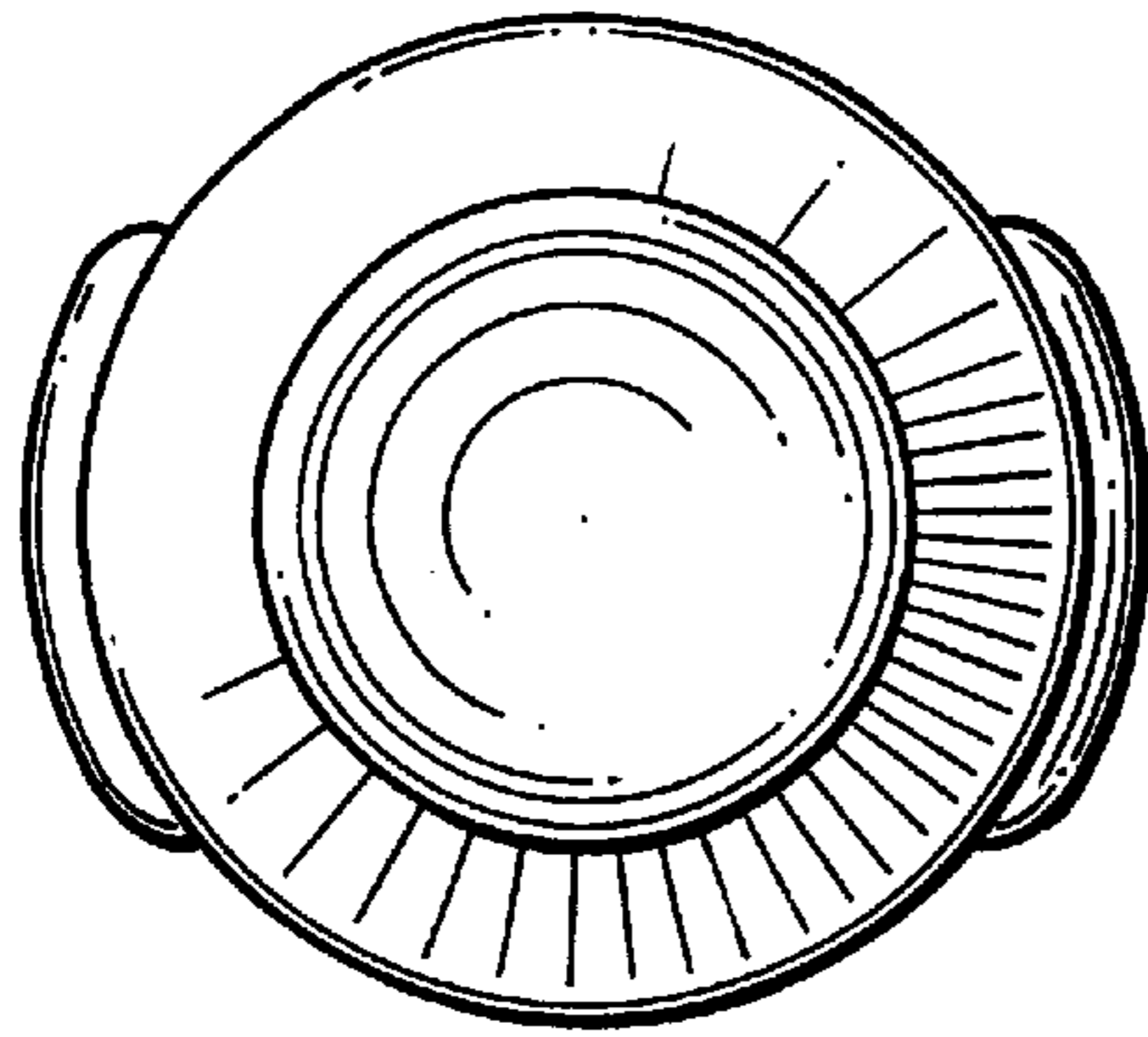


FIG. 4

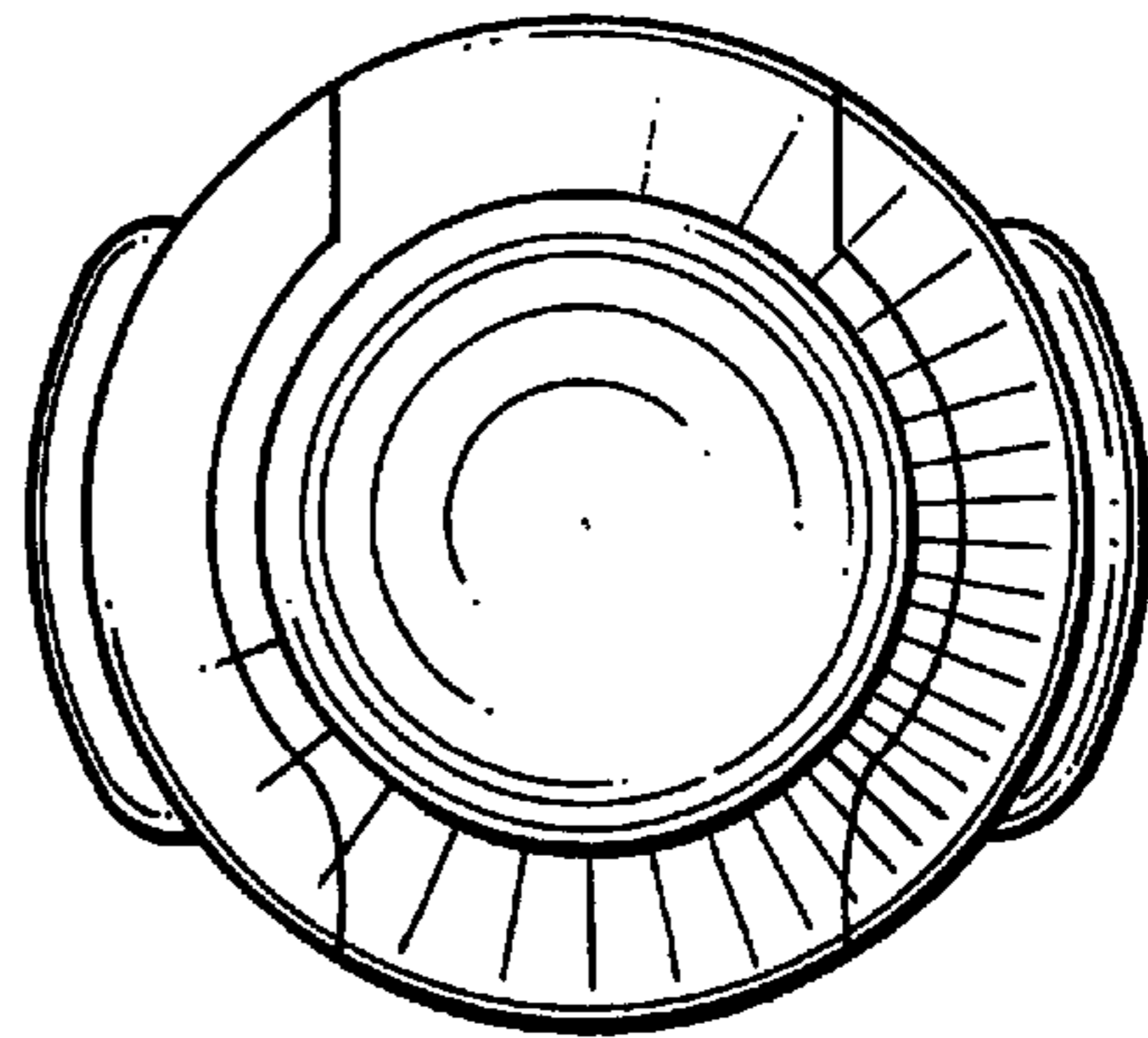


FIG. 5

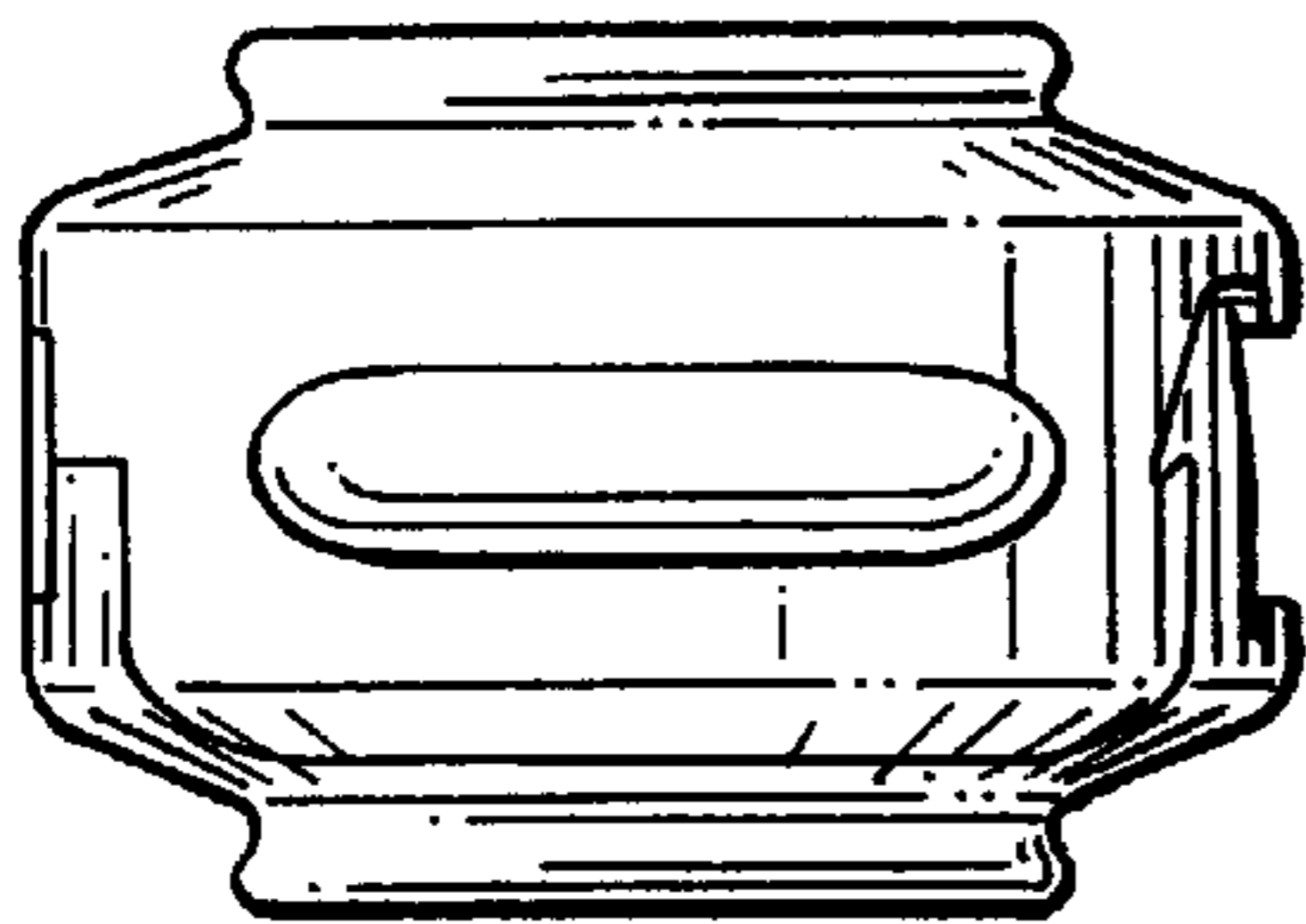


FIG. 6

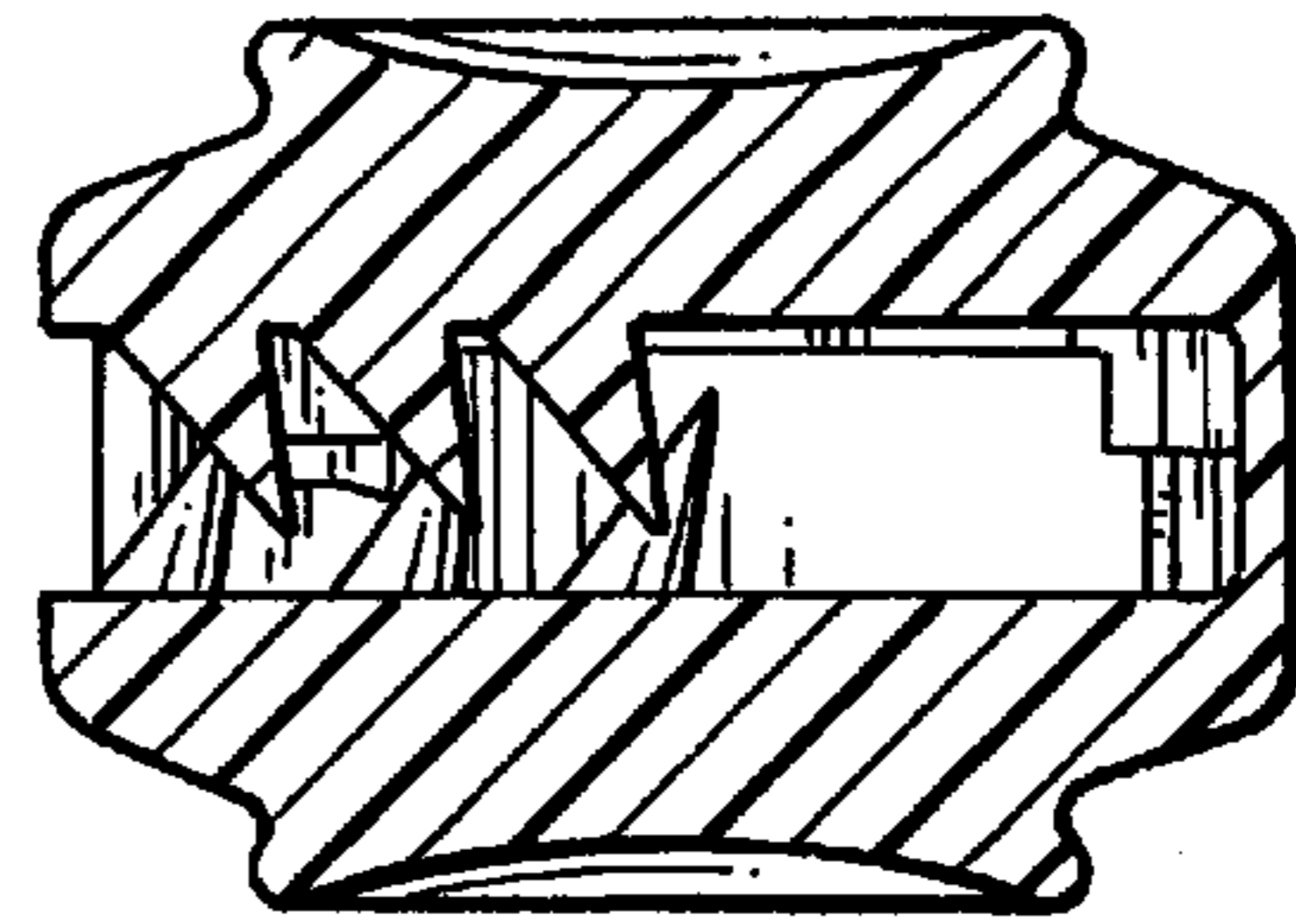


FIG. 7

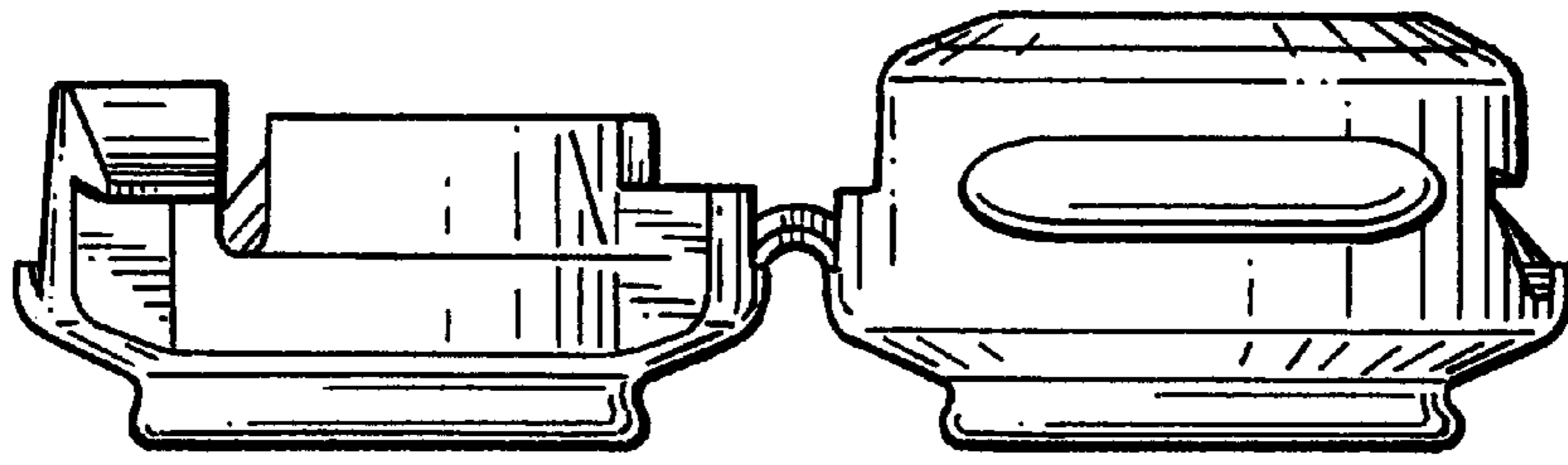


FIG. 8

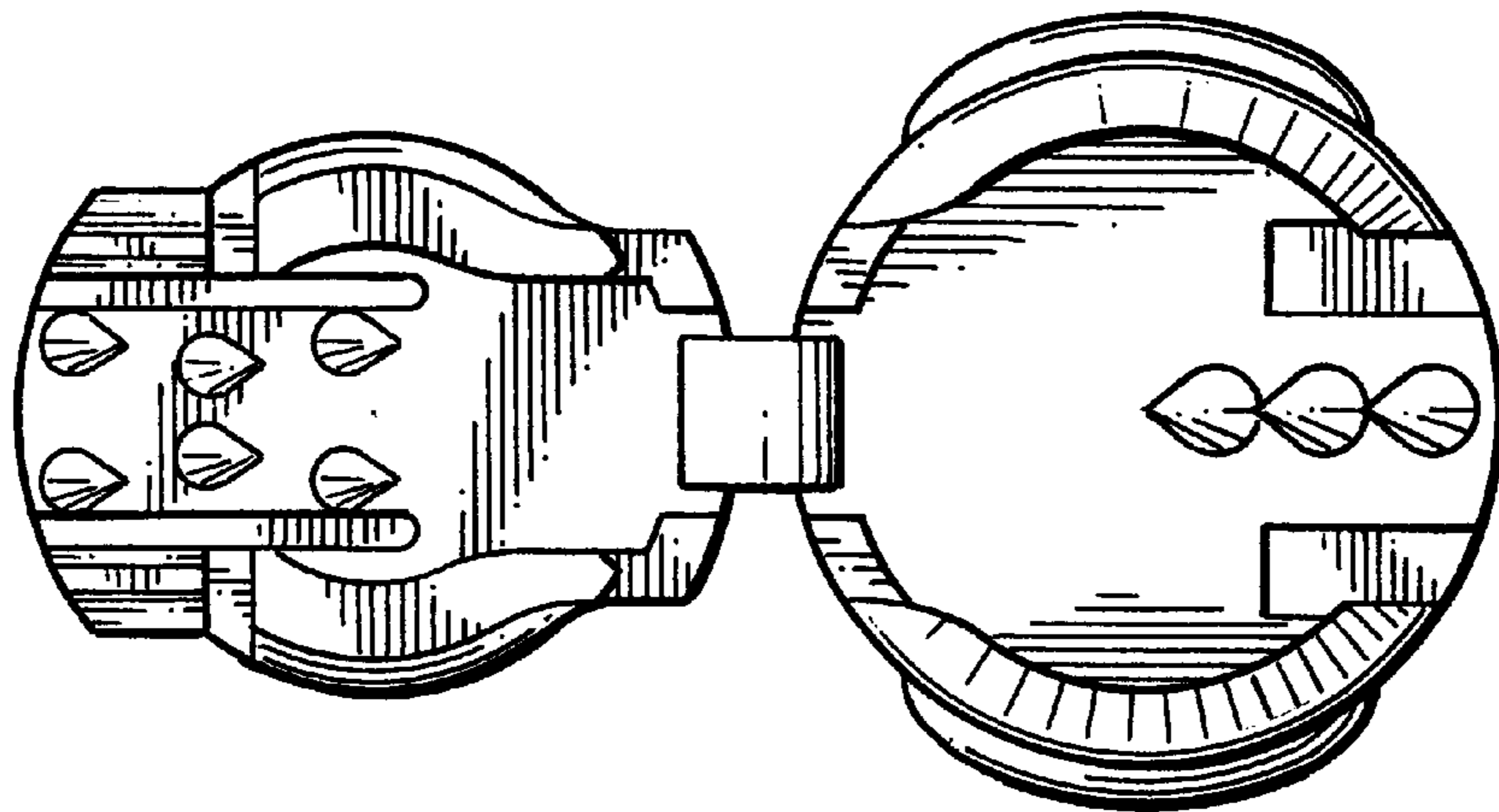


FIG. 9

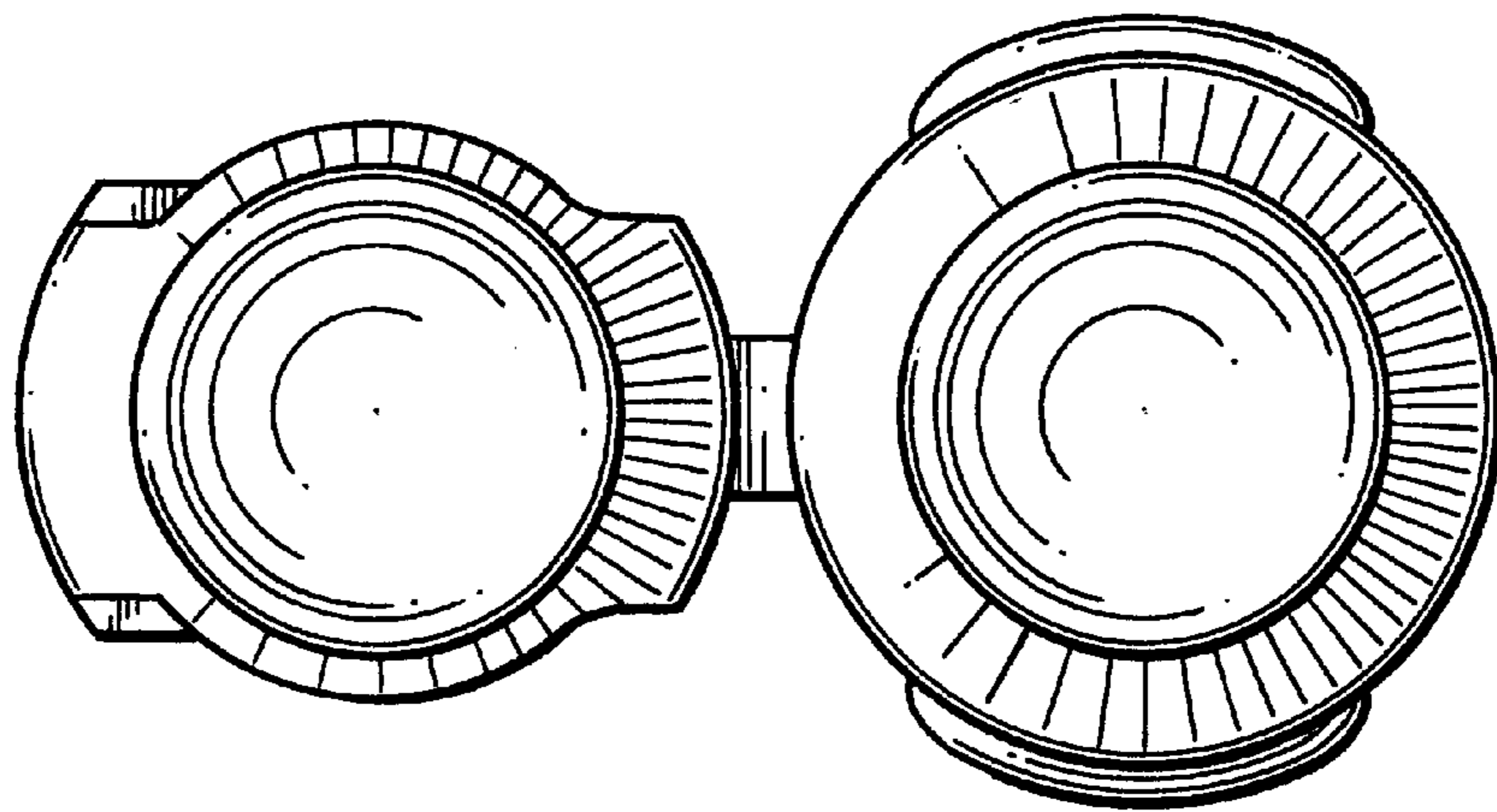


FIG. 10