



US00D443815S

(12) **United States Design Patent**
Adriaenssens

(10) **Patent No.:** **US D443,815 S**

(45) **Date of Patent:** **** Jun. 19, 2001**

(54) **HANDLE INSERT**

(75) Inventor: **Stephan Adriaenssens, Kortrijk (BE)**

(73) Assignee: **N.V. Moerman, Meulebeke (BE)**

(**) Term: **14 Years**

(21) Appl. No.: **29/112,617**

(22) Filed: **Oct. 20, 1999**

(51) **LOC (7) Cl.** **08-08**

(52) **U.S. Cl.** **D8/396; D4/199; D8/397**

(58) **Field of Search** **D8/321, 382, 397, D8/499, 396, 385; D4/199; 411/427, 433, 63; 15/145, 176.2, 159.1; 403/299, 300, 307, 314**

(56) **References Cited**

U.S. PATENT DOCUMENTS

- D. 279,834 * 7/1985 Falzelt .
- D. 375,843 * 11/1996 Wolfenden D8/382
- D. 383,378 * 9/1997 Schrader et al. .
- D. 386,397 * 11/1997 Adriaenssens D8/396
- 5,161,278 * 11/1992 Tomm 403/299

- 5,172,447 * 12/1992 Tomm 403/299
- 5,842,810 * 12/1998 Morad 15/145
- 6,029,308 * 2/2000 Smith 15/145

* cited by examiner

Primary Examiner—B. J. Bullock

(74) *Attorney, Agent, or Firm*—James Creighton Wray; Meera P. Narasimhan

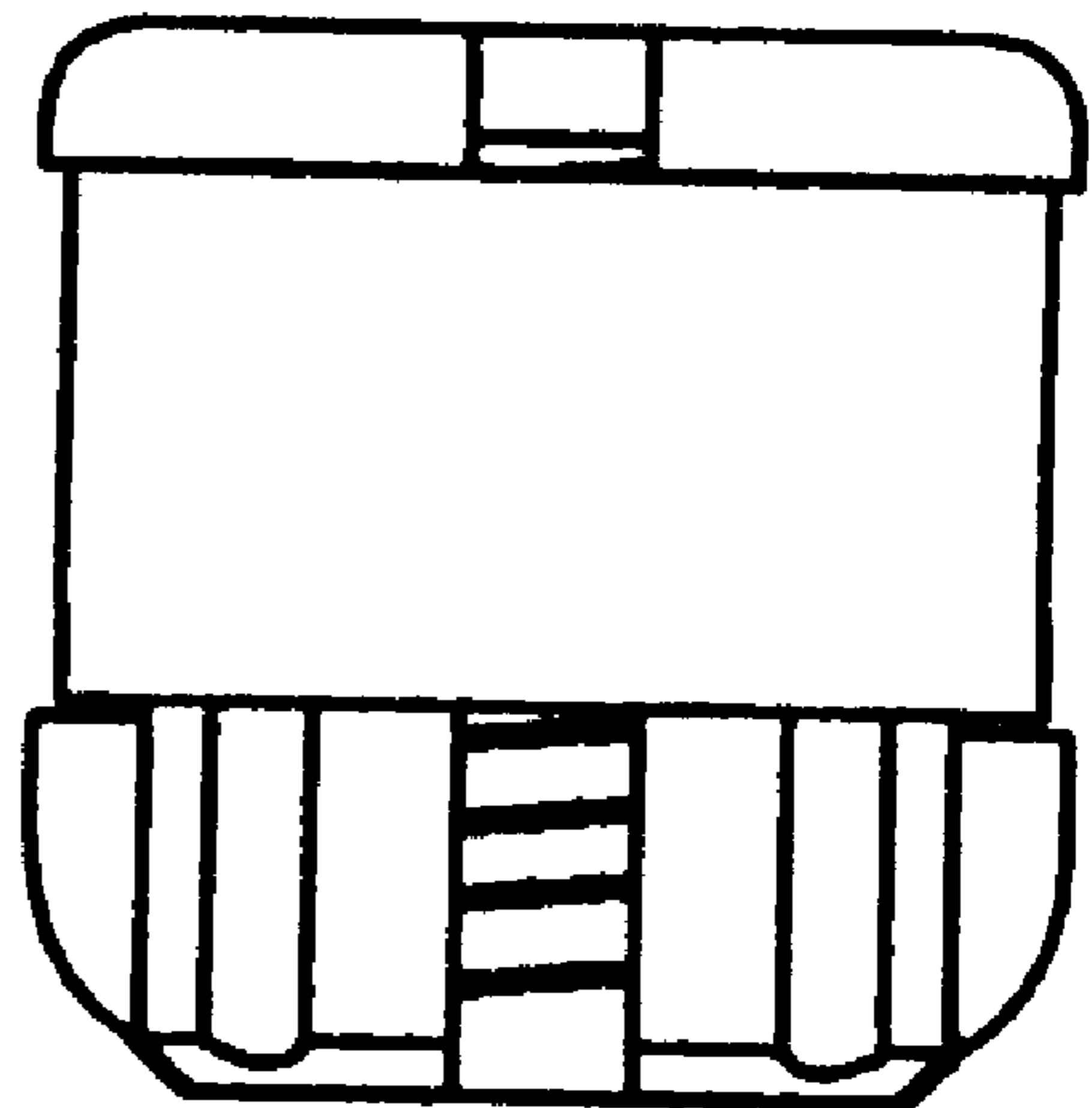
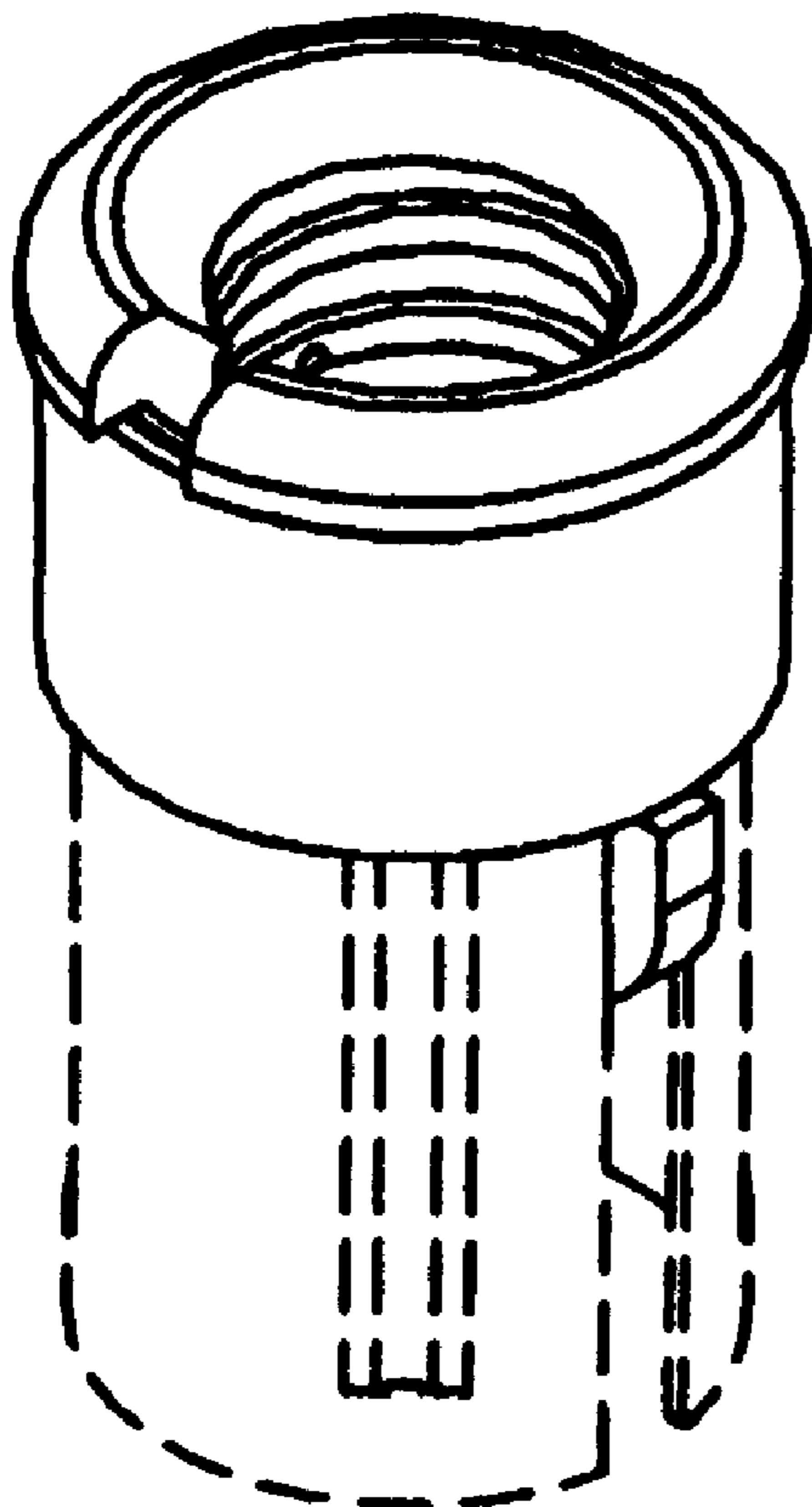
(57) **CLAIM**

The ornamental design for a handle insert, as shown and described.

DESCRIPTION

FIG. 1 is a front perspective view of the invention.
 FIG. 2 is a top plan view of the invention.
 FIG. 3 is a bottom plan view of the invention.
 FIG. 4 is a front view of the invention.
 FIG. 5 is a left side view of the invention.
 FIG. 6 is a right view of the invention; and,
 FIG. 7 is a back view of the invention.
 The broken lines in FIG. 1 are for illustrative purposes only and form no part of the claimed design.

1 Claim, 1 Drawing Sheet



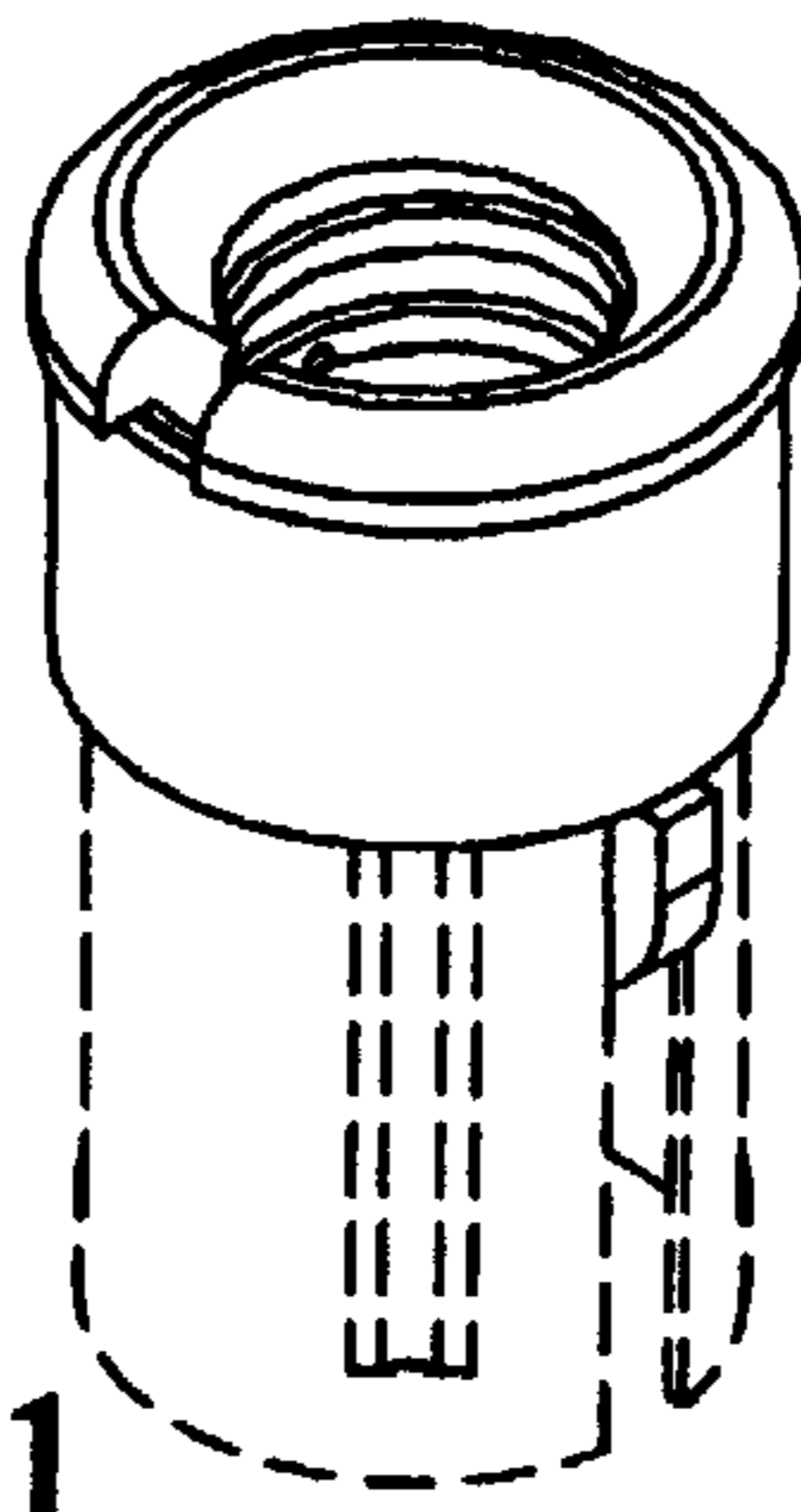


Fig. 1

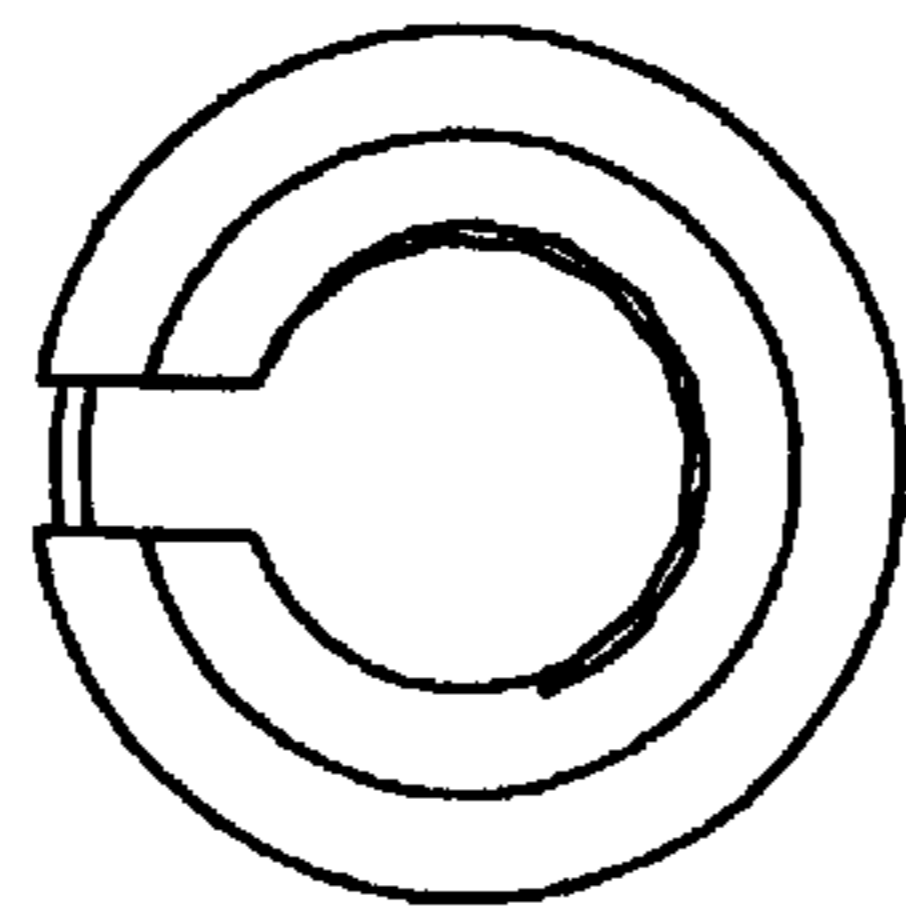


Fig. 2

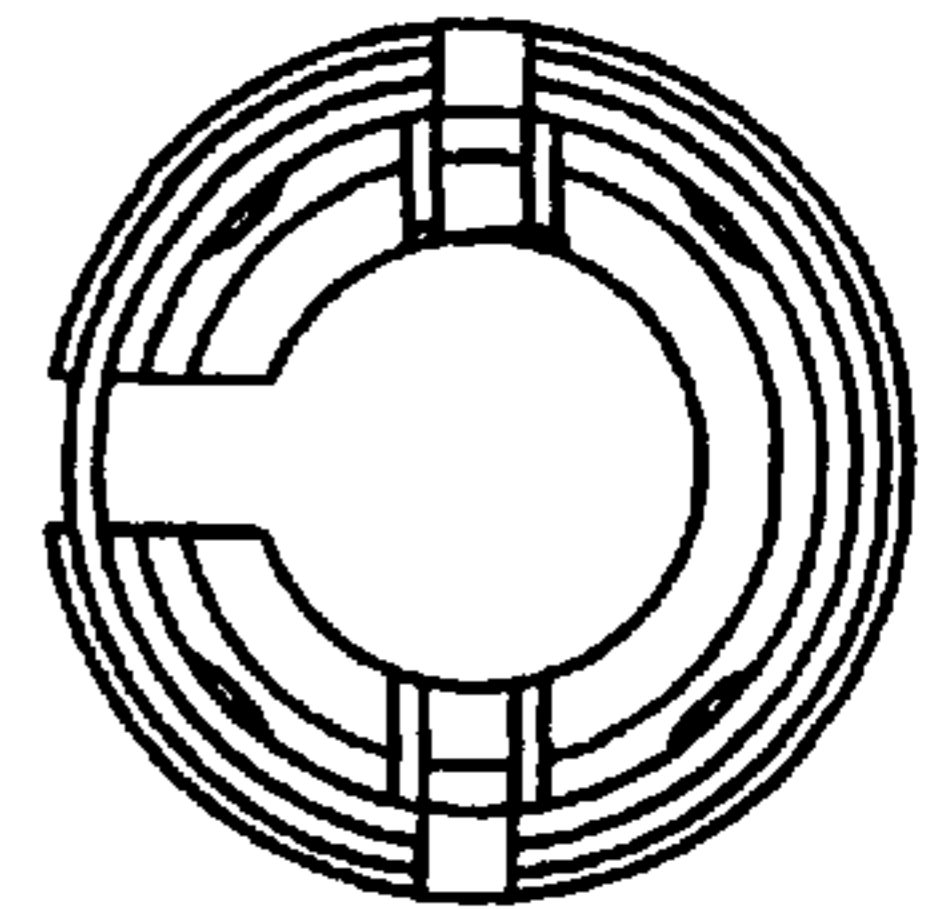


Fig. 3

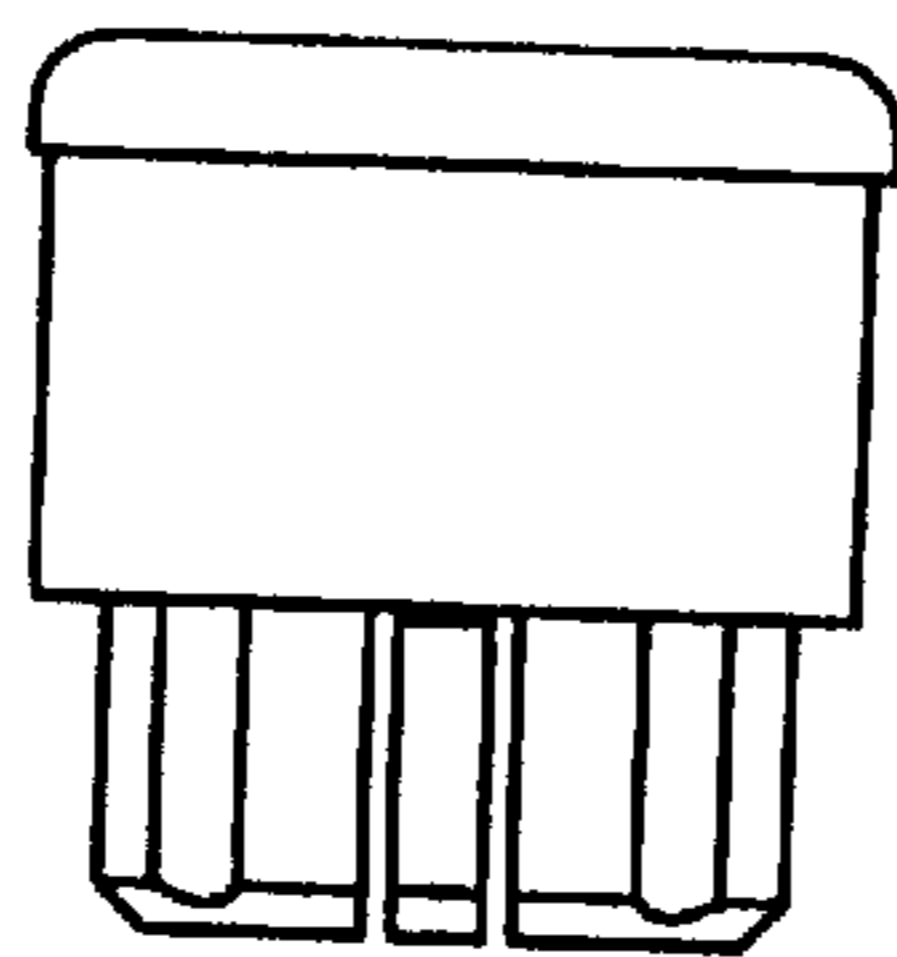


Fig. 4

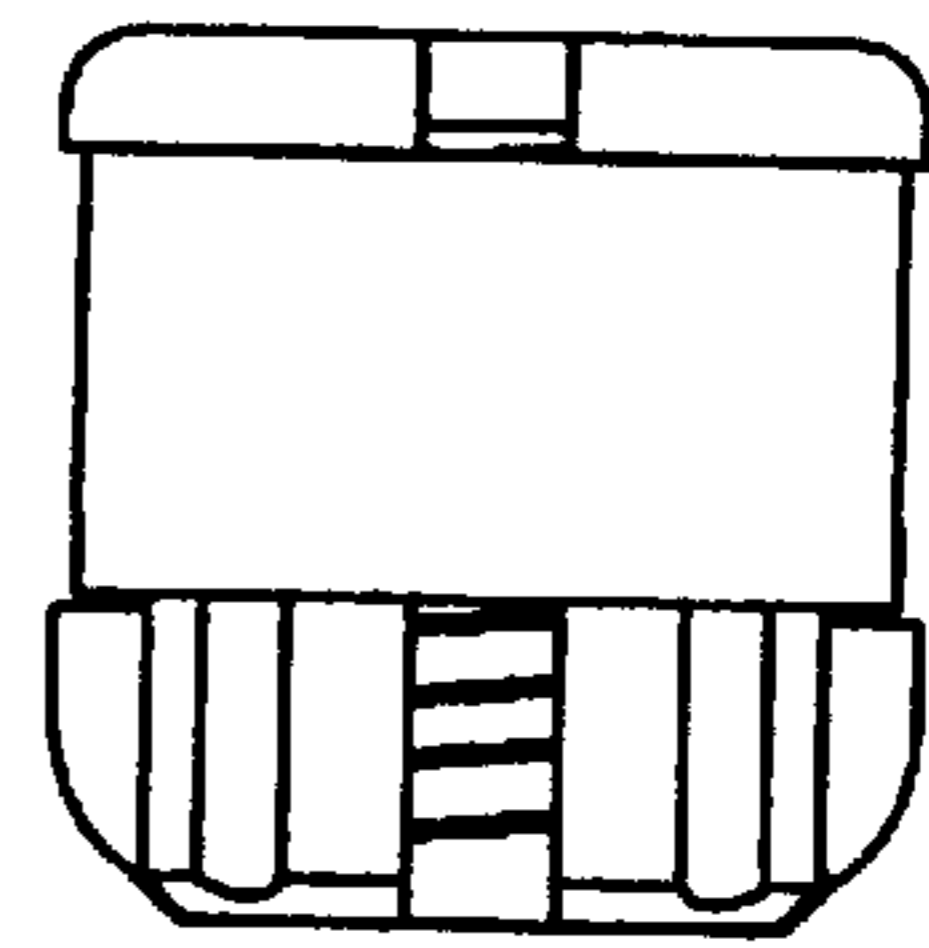


Fig. 5

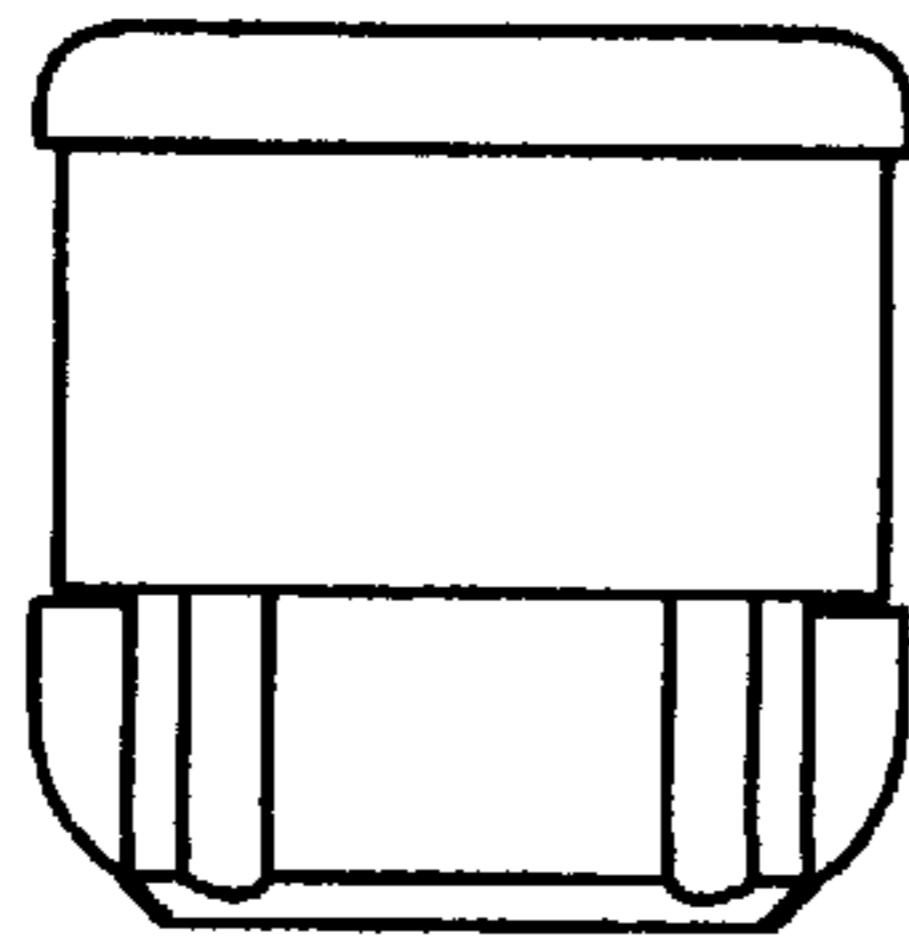


Fig. 6

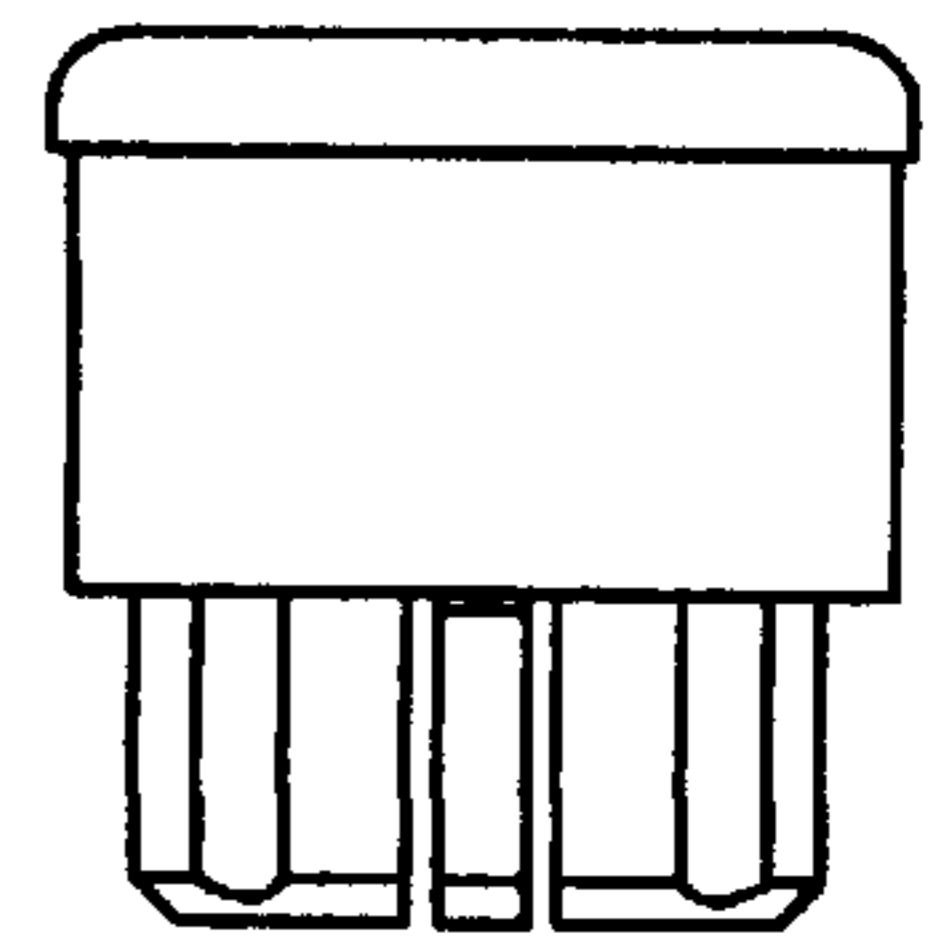


Fig. 7