



US00D443813S

(12) **United States Design Patent**
Harwanko

(10) **Patent No.:** **US D443,813 S**

(45) **Date of Patent:** **** Jun. 19, 2001**

(54) **END CAP UNIT FOR SHOWER ROD**

(75) Inventor: **Jeffrey Brian Harwanko**, Wilmington, DE (US)

(73) Assignee: **Zenith Products Corp.**, New Castle, DE (US)

(**) Term: **14 Years**

(21) Appl. No.: **29/115,024**

(22) Filed: **Dec. 6, 1999**

(51) **LOC (7) Cl.** **08-05**

(52) **U.S. Cl.** **D8/376; D8/378**

(58) **Field of Search** **D8/376, 378; 428/28; 248/261**

(56) **References Cited**

U.S. PATENT DOCUMENTS

D. 327,421 * 6/1992 Pagan D8/376

OTHER PUBLICATIONS

Interior design, p. 53, finial, item A at right of page, Feb. 1992.*

* cited by examiner

Primary Examiner—Holly Baynham

(74) *Attorney, Agent, or Firm*—Edgar A. Zarins; Lloyd D. Doigan

(57) **CLAIM**

The ornamental design for an end cap unit for shower rod, as shown and described.

DESCRIPTION

FIG. 1 is a perspective view of an end cap unit for shower rod showing my new design;

FIG. 2 is an enlarged end view with the end view of the adjacent end cap shown in FIG. 1 being identical in appearance;

FIG. 3 is a plan view thereof;

FIG. 4 is an opposite end view;

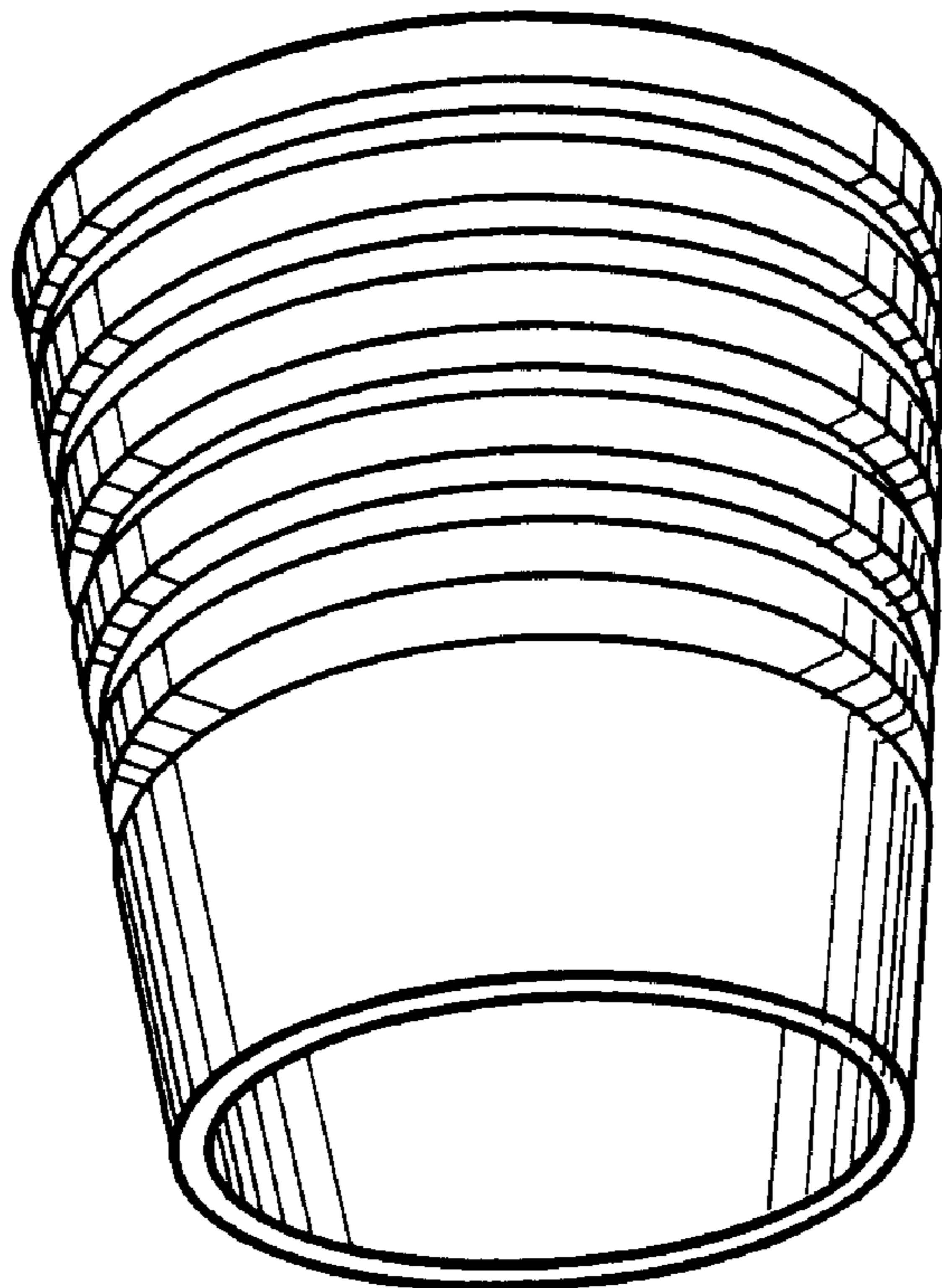
FIG. 5 is an outer perspective view thereof; and,

FIG. 6 is an inner perspective view thereof.

The end cap in FIGS. 2–6 are shown detached for ease and clarity of illustration.

The broken line showing of a shower rod is for illustrative purposes only and forms no part of the claimed design.

1 Claim, 1 Drawing Sheet



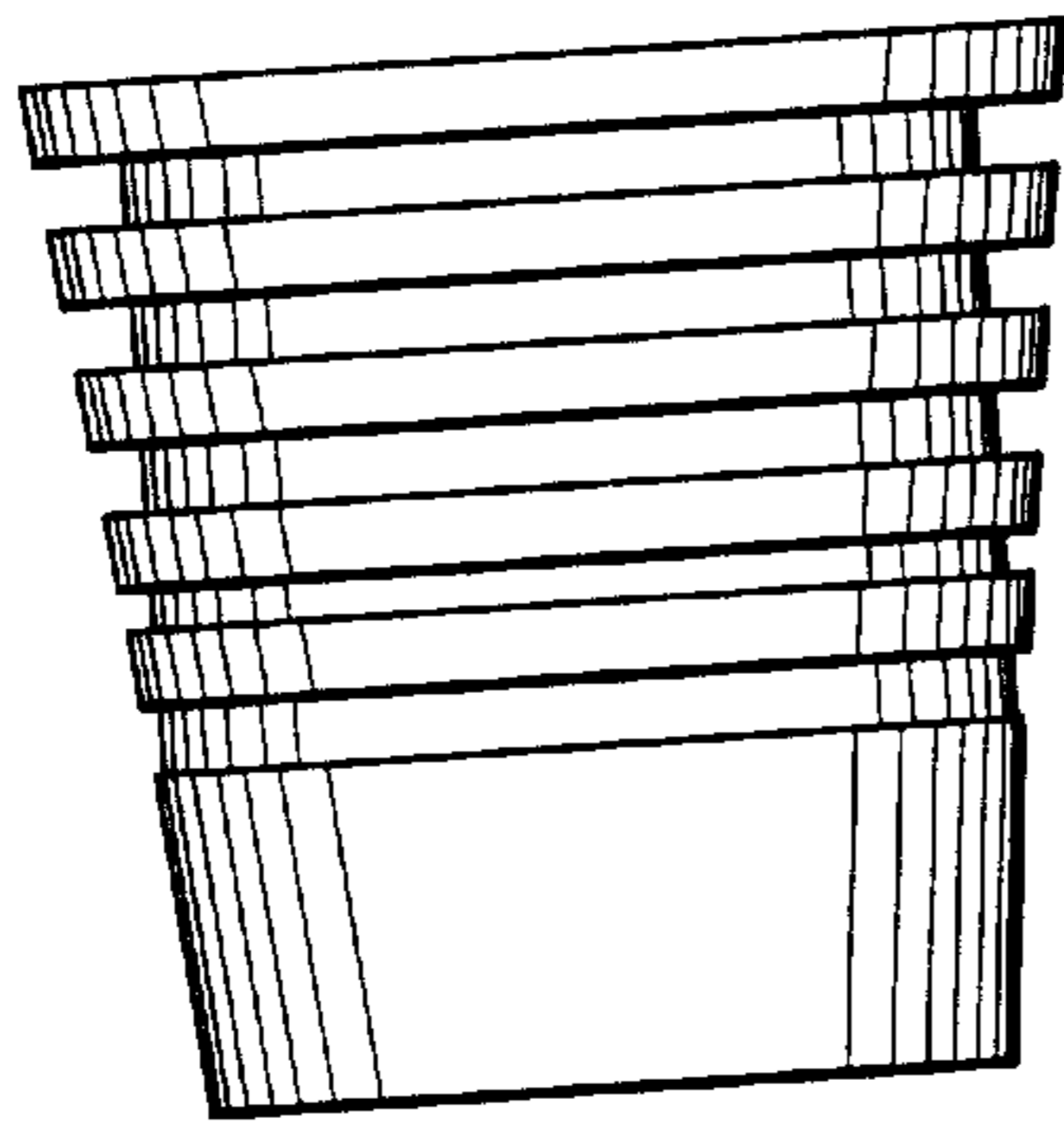
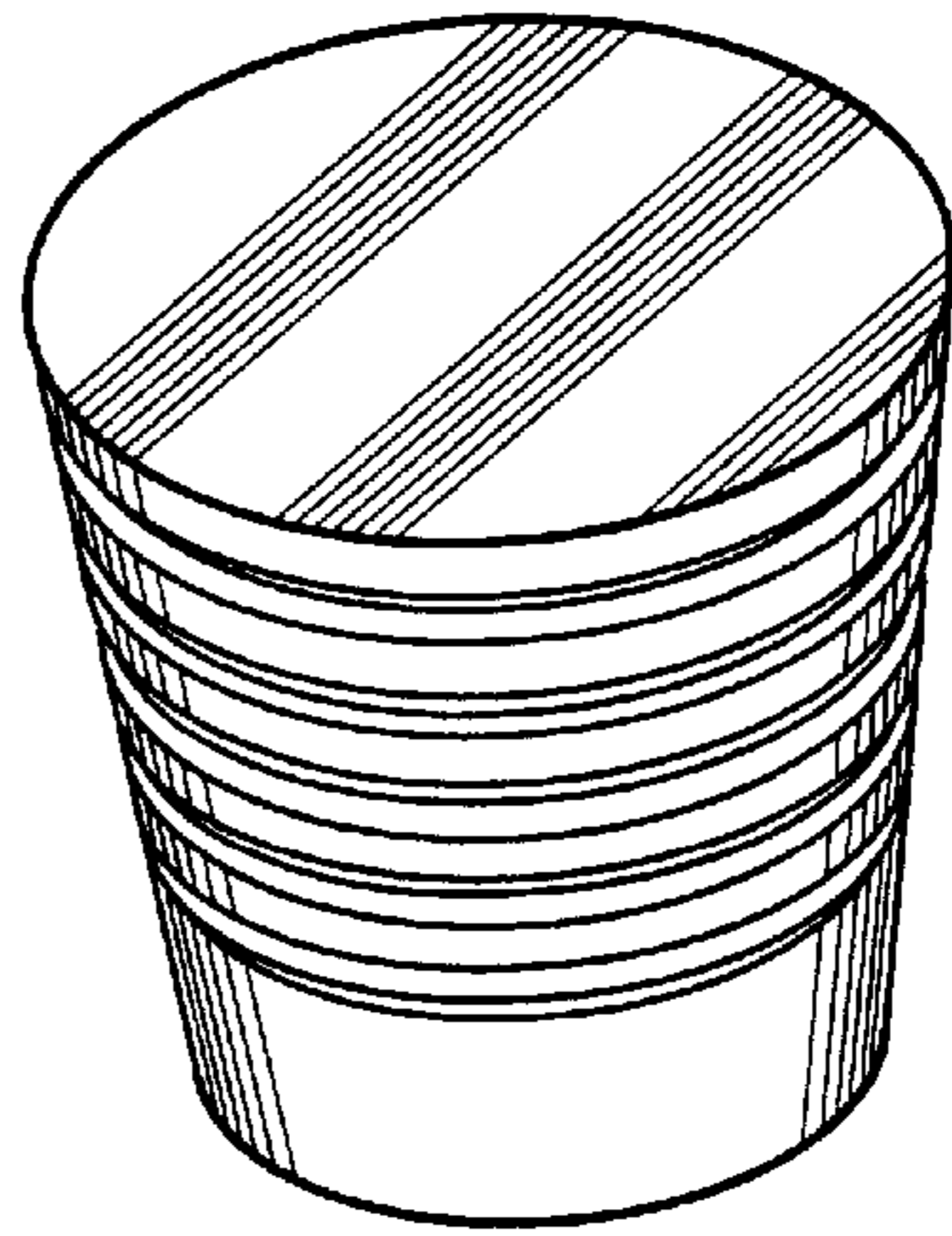
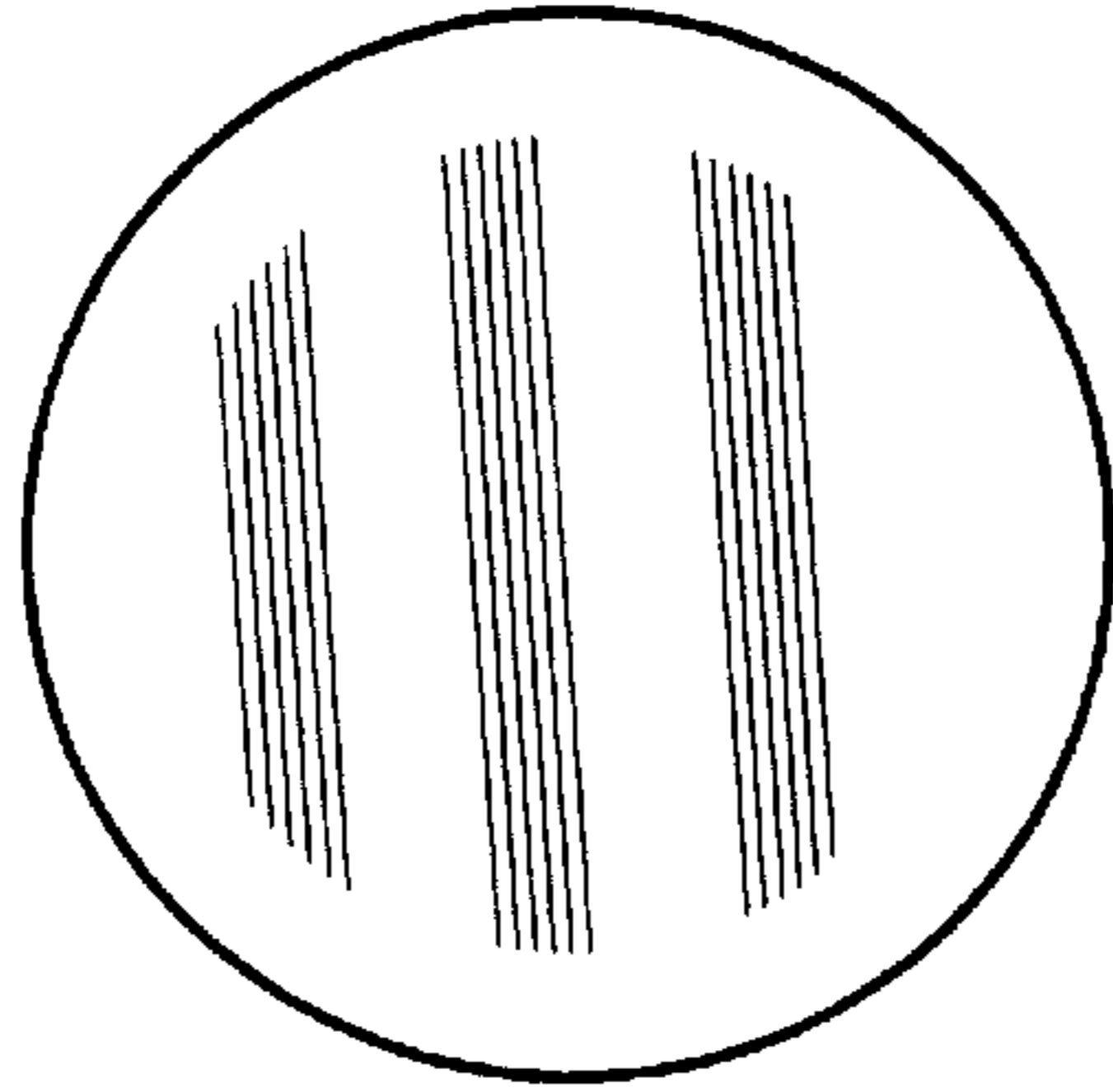
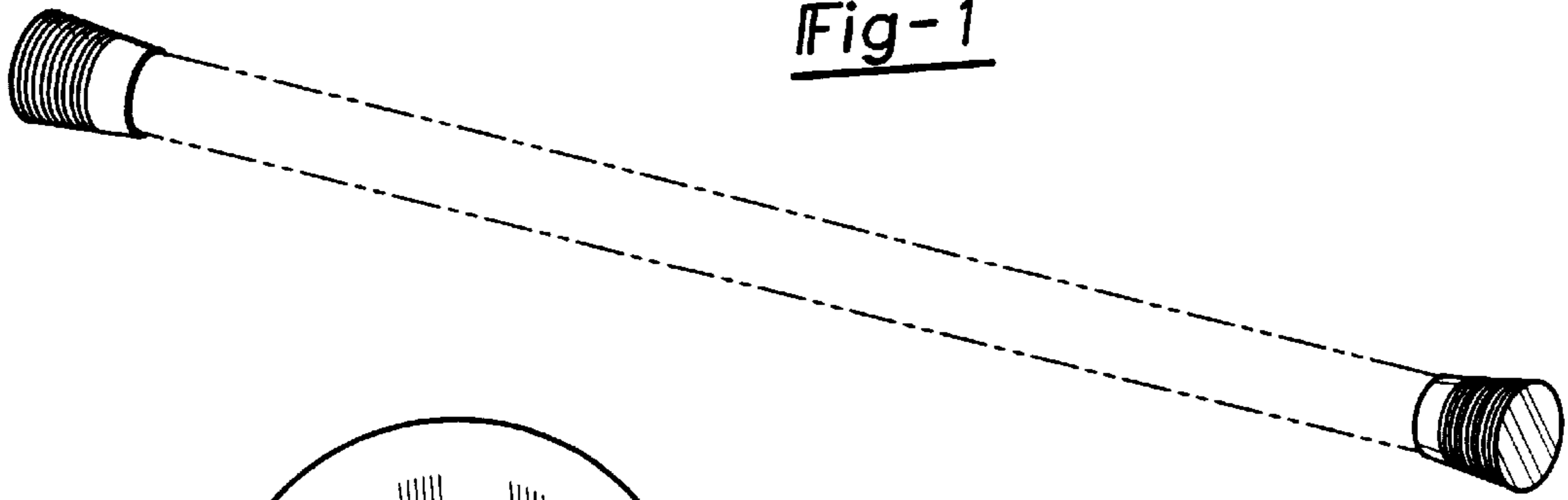


Fig-5

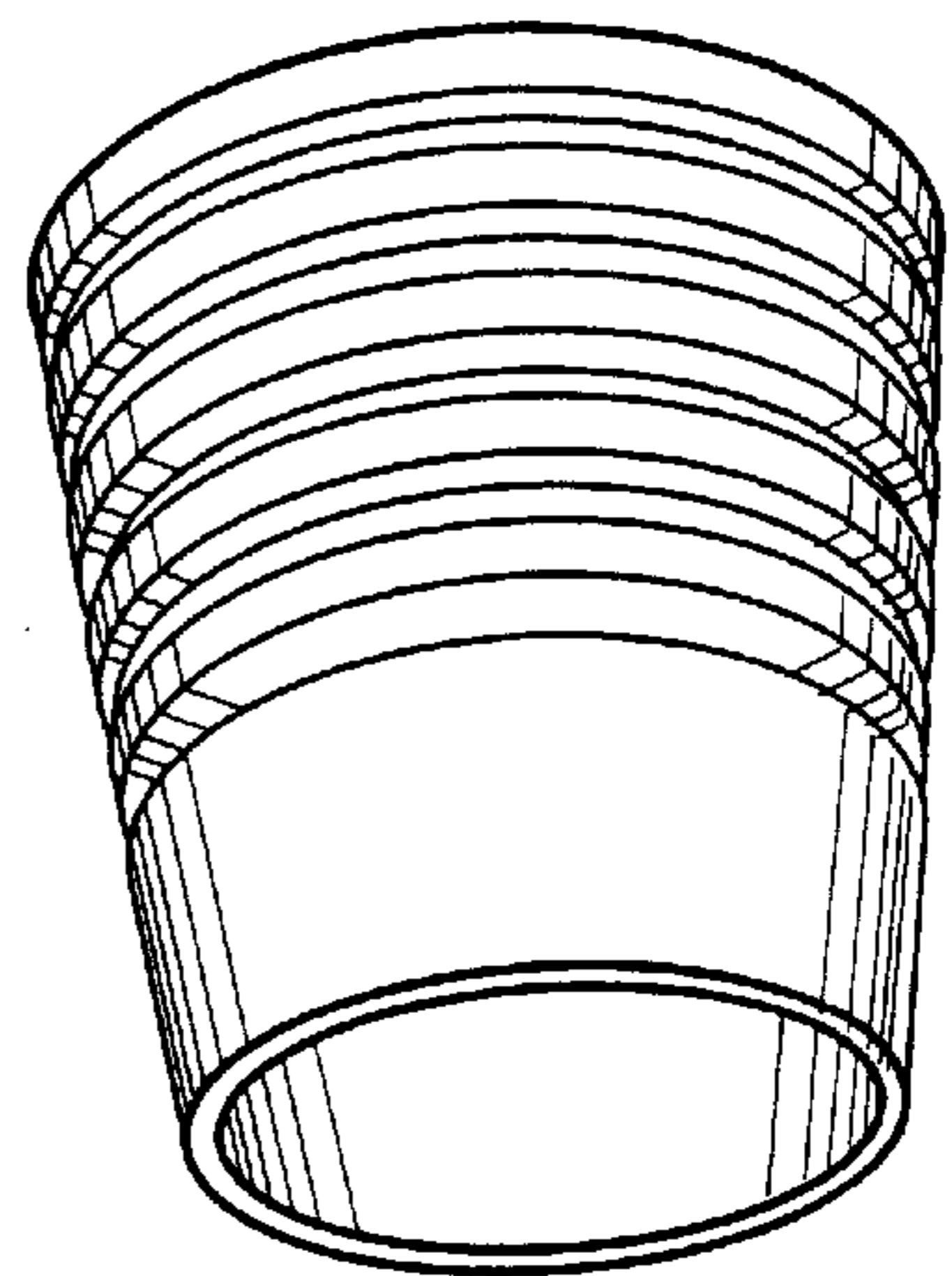
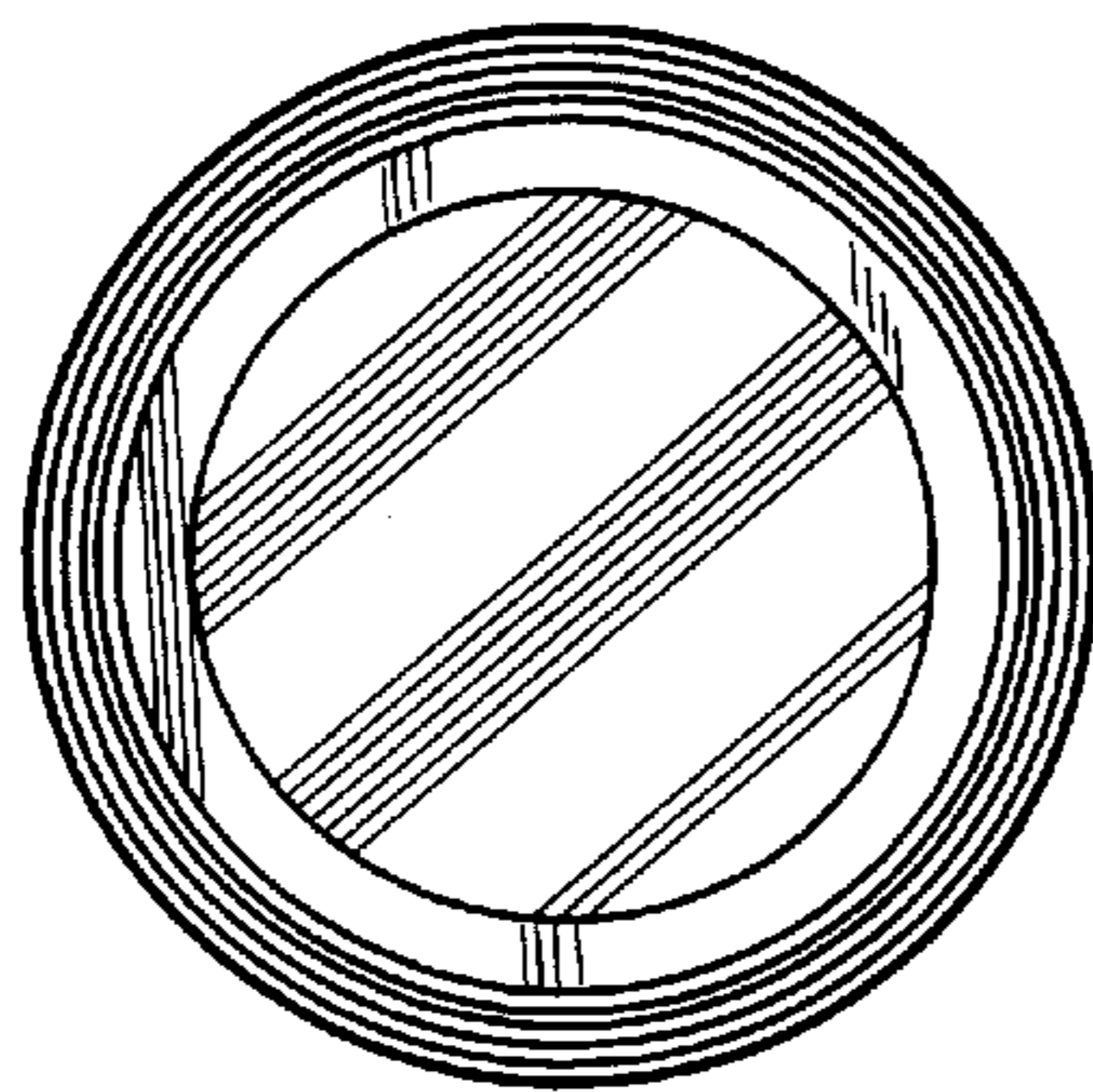


Fig-4

Fig-6