



US00D443811S

(12) **United States Design Patent**
Tisbo

(10) **Patent No.:** **US D443,811 S**

(45) **Date of Patent:** **** Jun. 19, 2001**

(54) **FLEXIBLE GROMMET**

5,693,910 * 12/1997 Gretz 174/65 G

(75) Inventor: **Peter M. Tisbo**, Barrington, IL (US)

* cited by examiner

(73) Assignee: **Custom Plastics, Inc.**, Elk Grove Village, IL (US)

Primary Examiner—Holly Baynham

(74) *Attorney, Agent, or Firm*—McHale & Slavin

(**) Term: **14 Years**

(57) **CLAIM**

The ornamental design for a flexible grommet, as shown and described.

(21) Appl. No.: **29/122,865**

(22) Filed: **May 2, 2000**

DESCRIPTION

(51) **LOC (7) Cl.** **08-05**

FIG. 1 is a perspective top view of the flexible grommet of the instant invention;

(52) **U.S. Cl.** **D8/356**

FIG. 2 is a perspective bottom view thereof;

(58) **Field of Search** D8/356; 174/153 G,
174/65 G; 248/56

FIG. 3 is a top plane view thereof;

FIG. 4 is a bottom plane view thereof;

FIG. 5 is a front view thereof;

FIG. 6 is a back view thereof; and,

FIG. 7 is a side view thereof, the opposite side view forming a mirror image.

(56) **References Cited**

U.S. PATENT DOCUMENTS

4,267,995 * 5/1981 McMillan 248/74.1

5,567,916 * 10/1996 Napiorkowski et al. 174/153 G

1 Claim, 1 Drawing Sheet

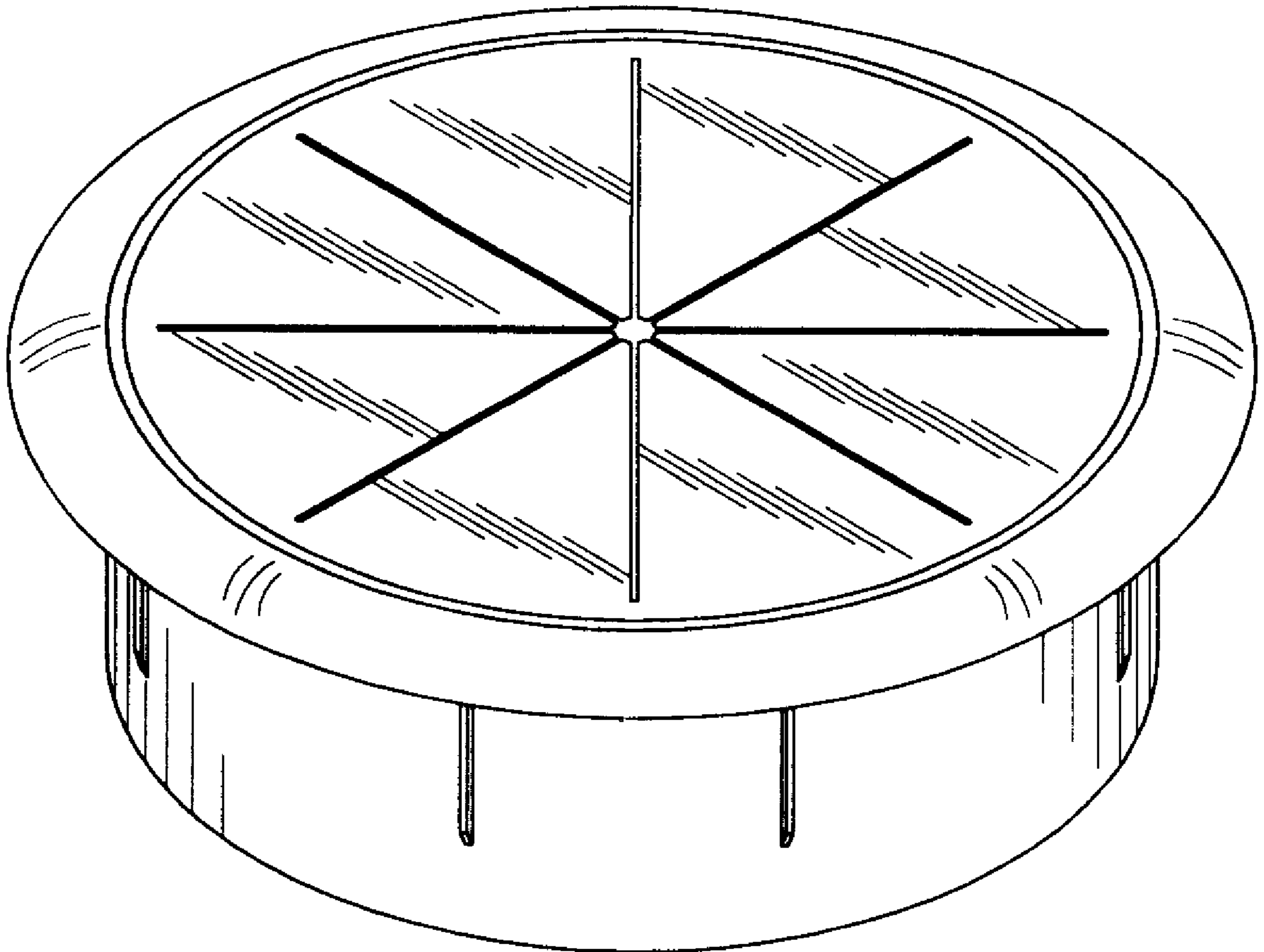


FIG. 1

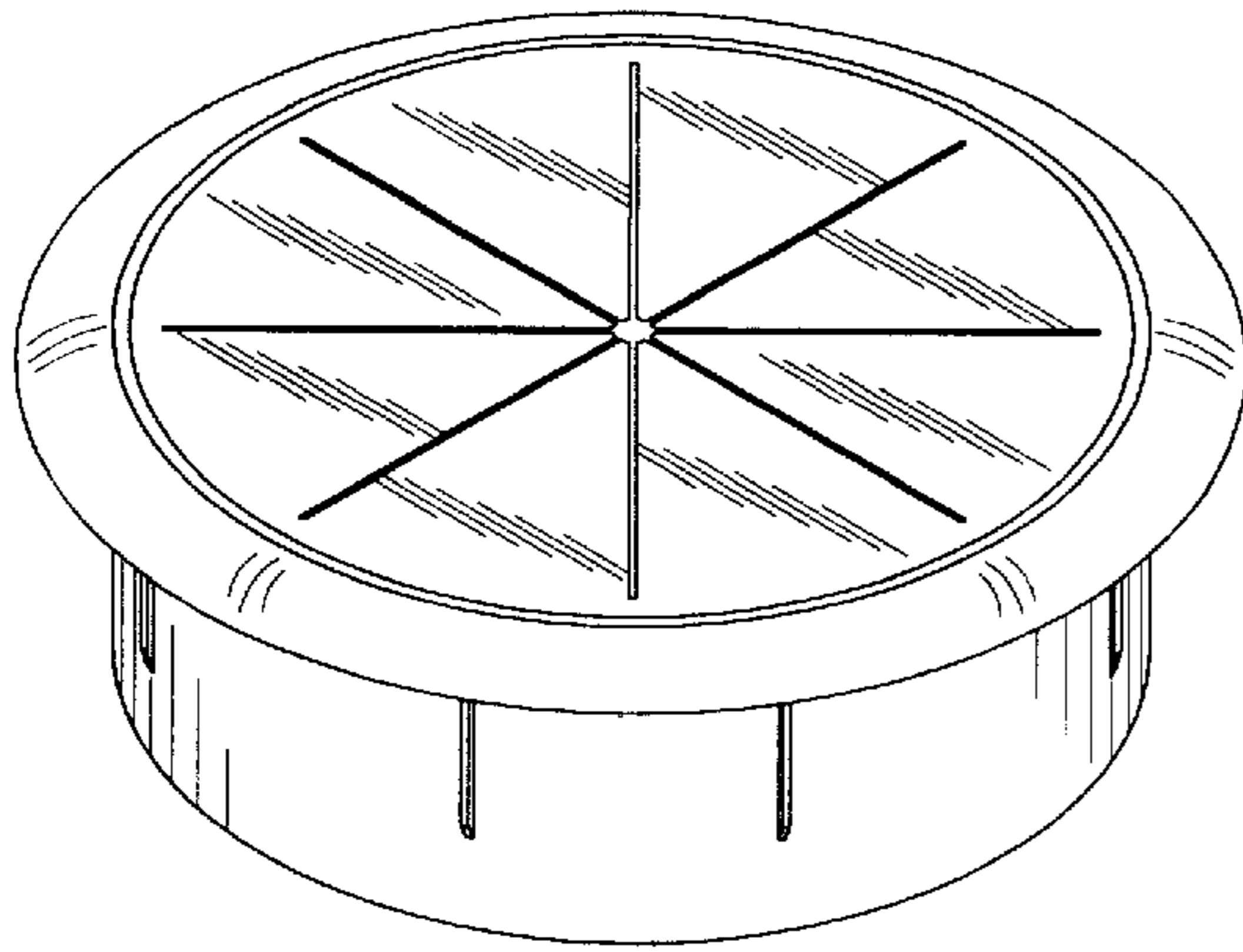


FIG. 2

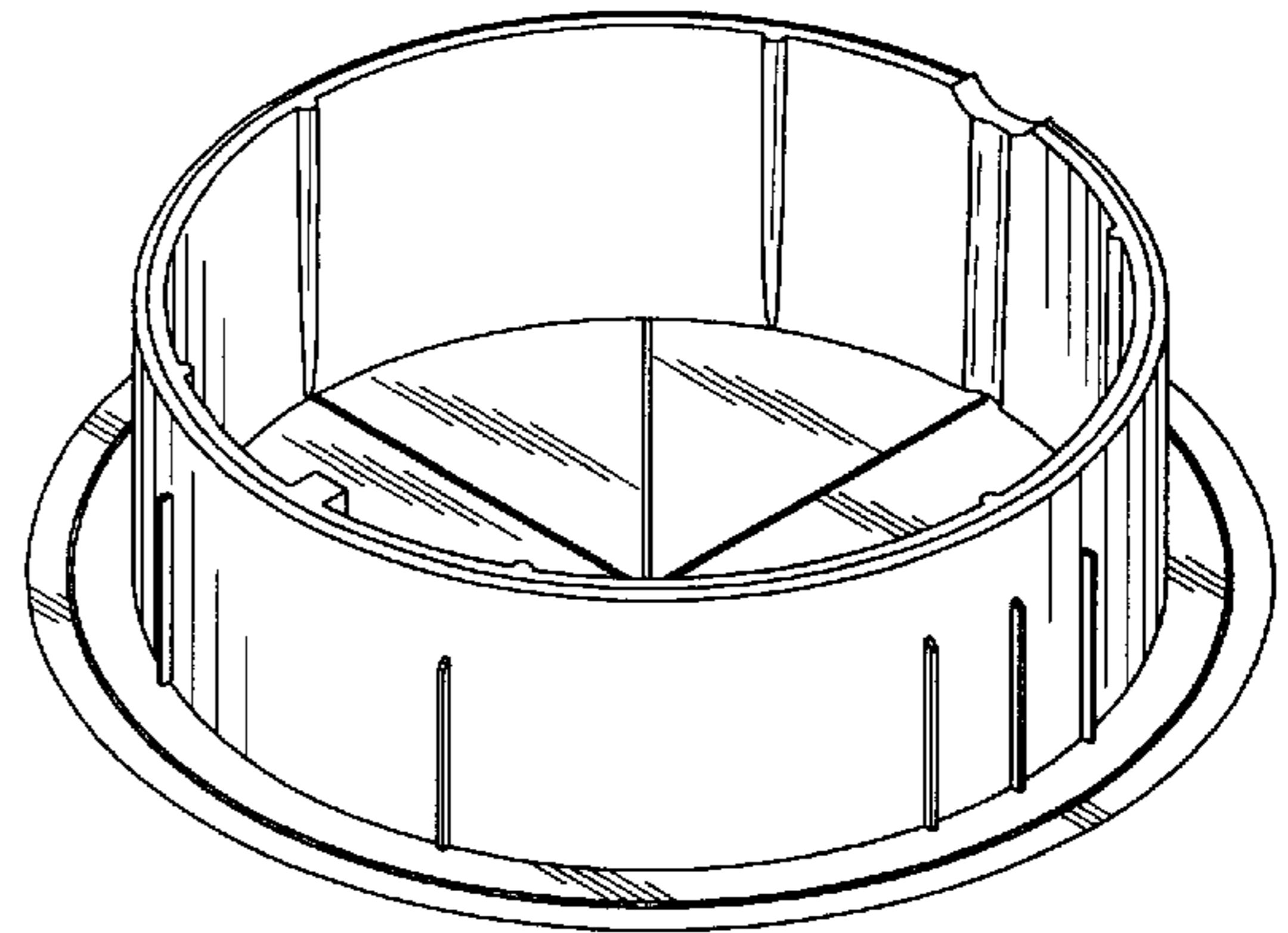


FIG. 3

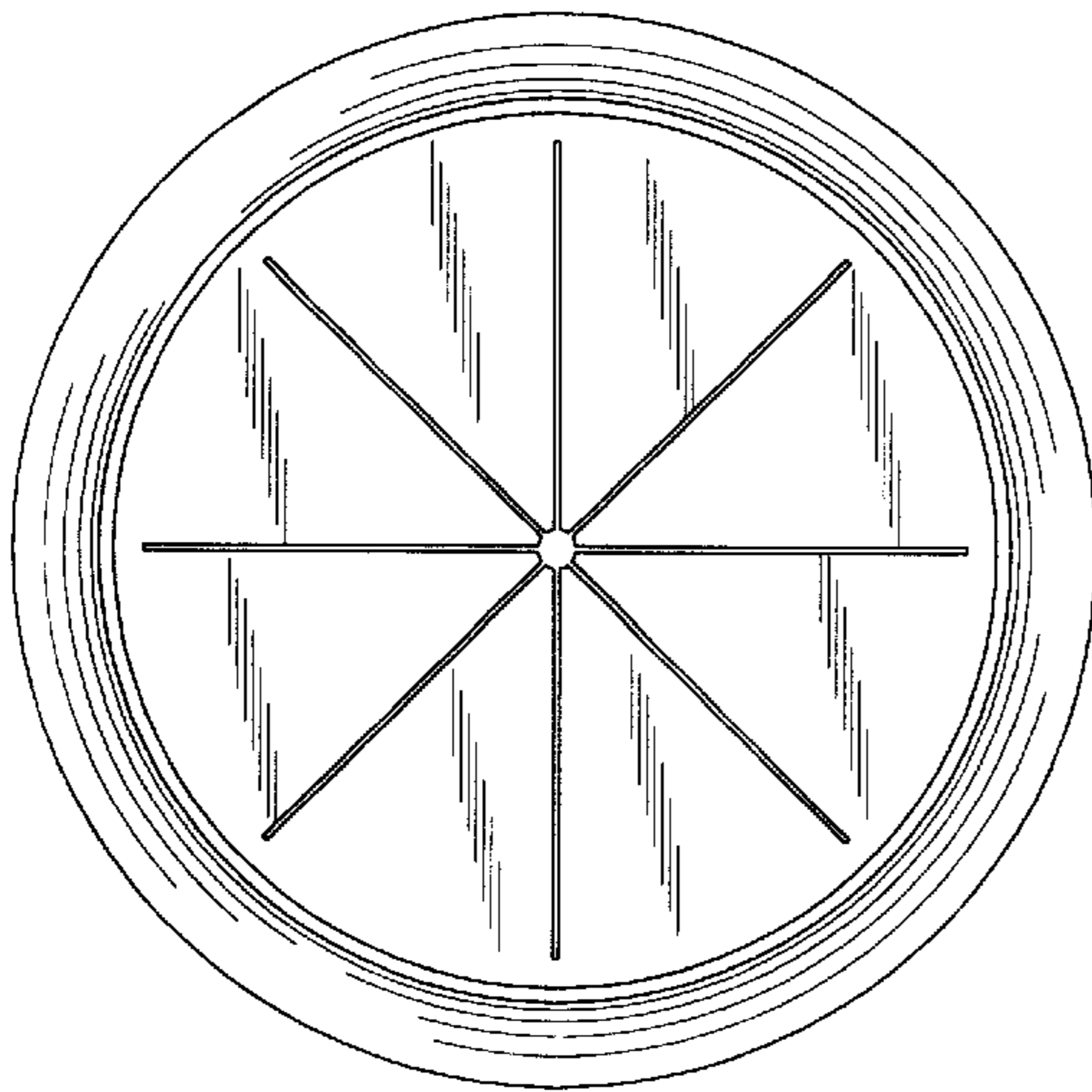


FIG. 4

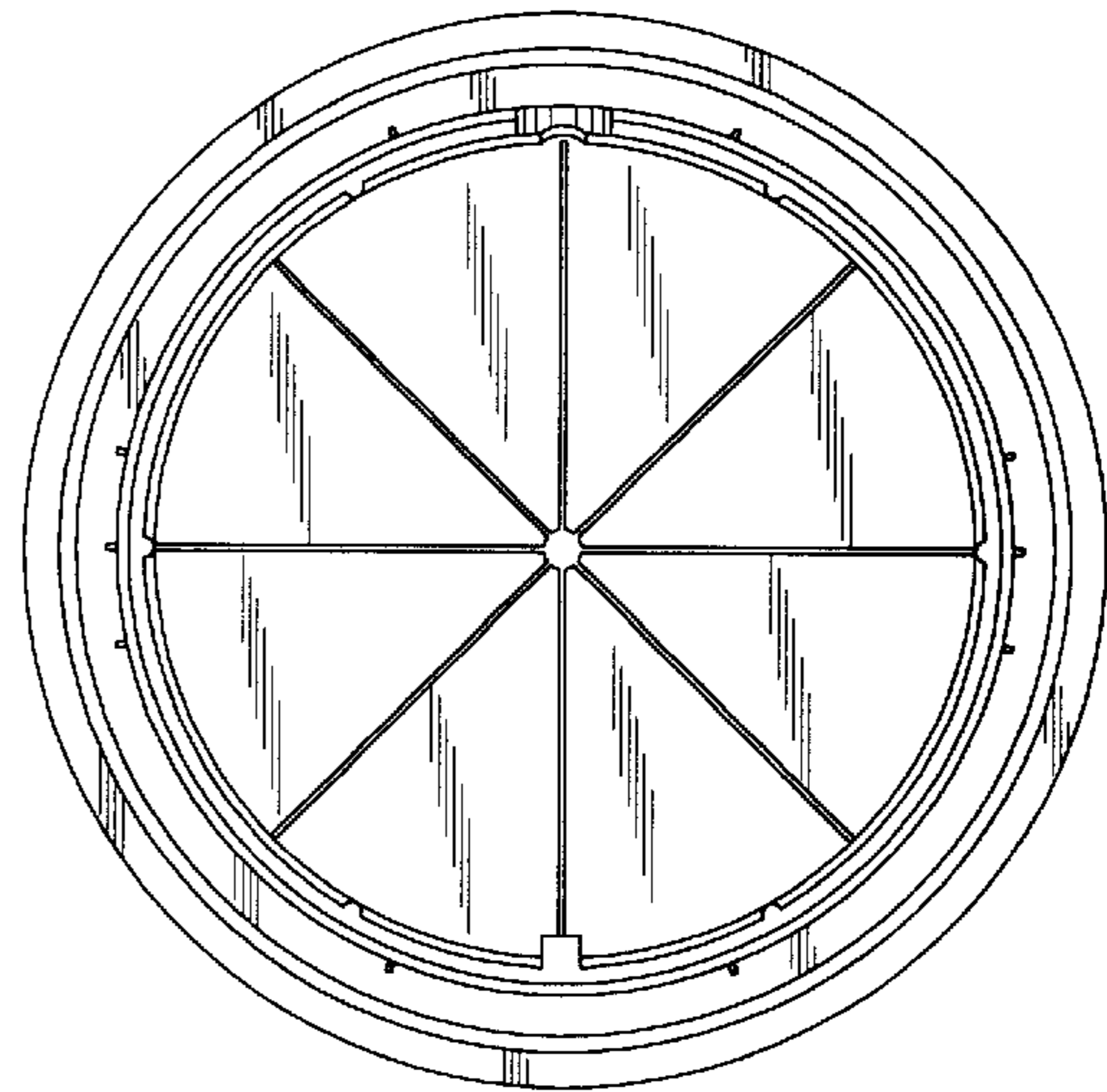


FIG. 5

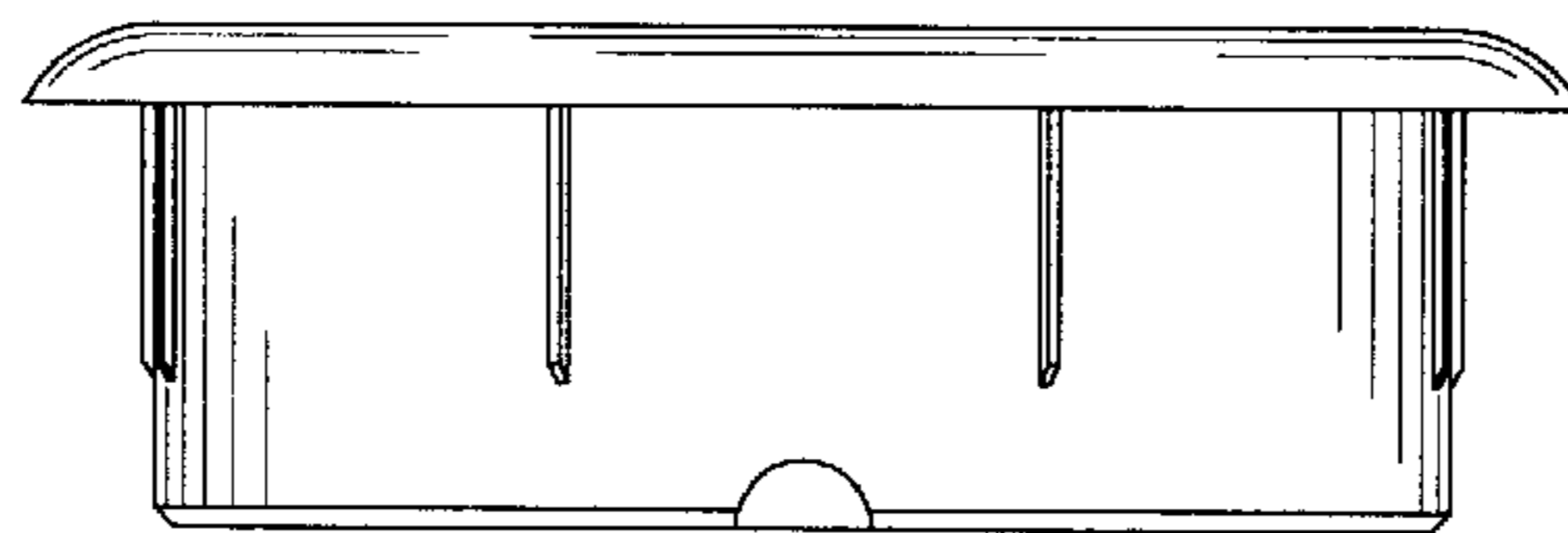


FIG. 6

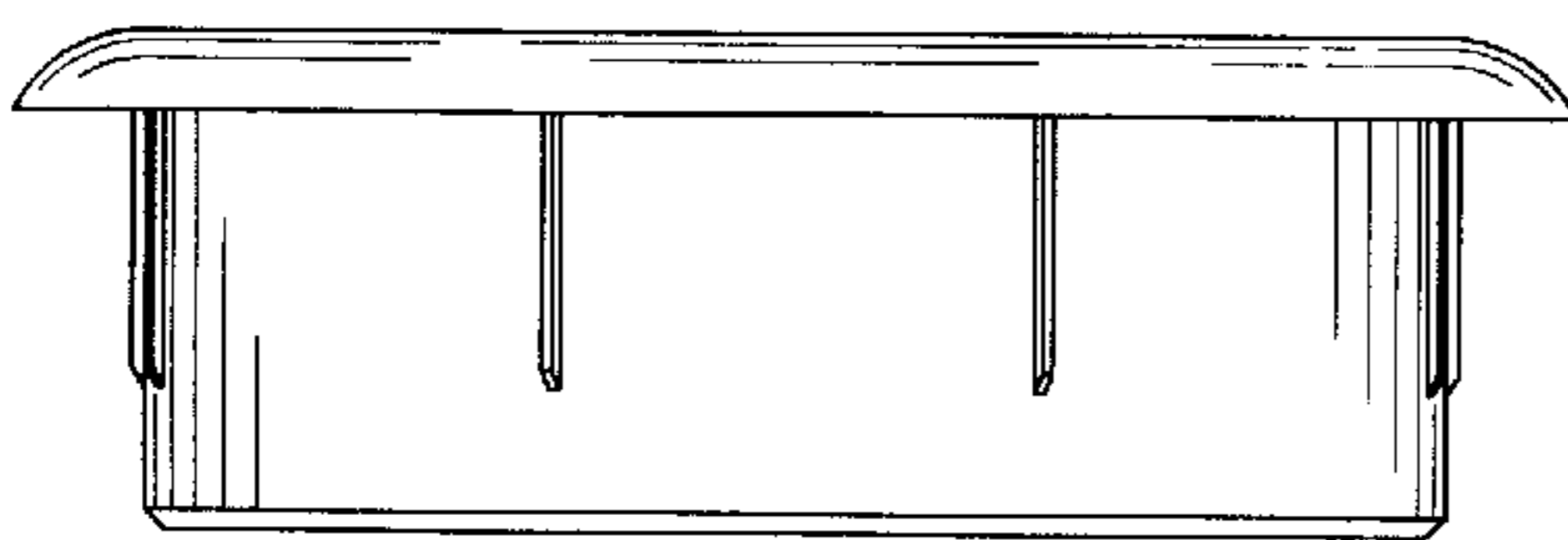


FIG. 7

