



US00D443809S

(12) **United States Design Patent**
Zweibohmer

(10) **Patent No.:** **US D443,809 S**

(45) **Date of Patent:** **** Jun. 19, 2001**

(54) **GRASPABLE PORTION OF WINDOW HOLD OPEN MECHANISM**

5,203,113 * 4/1993 Yagi 49/357

* cited by examiner

(75) Inventor: **Dennis John Zweibohmer**, Elma, IA (US)

Primary Examiner—B. J. Bullock

(73) Assignee: **Tri/Mark Corporation**, New Hampton, IA (US)

(74) *Attorney, Agent, or Firm*—Wood, Phillips, VanSanten, Clark & Mortimer

(**) Term: **14 Years**

(57) **CLAIM**

The ornamental design for a graspable portion of window hold open mechanism, as shown and described.

(21) Appl. No.: **29/130,998**

DESCRIPTION

(22) Filed: **Oct. 12, 2000**

(51) **LOC (7) Cl.** **08-06**

(52) **U.S. Cl.** **D8/321; D8/306; D8/307**

(58) **Field of Search** D8/300, 306, 307, D8/321; D12/183; 49/324, 350, 460, 397, 357; 292/218; 296/146.16; 74/501.6

FIG. 1 is a rear, side and top perspective view of my design for a graspable portion of window hold open mechanism;

FIG. 2 is a bottom view thereof;

FIG. 3 is a plan view thereof;

FIG. 4 is an elevation view thereof from the same side as in FIG. 1;

FIG. 5 is an elevation view thereof from the side opposite that in FIG. 4;

FIG. 6 is a front elevation view thereof; and,

FIG. 7 is a rear elevation view thereof.

The portion of the graspable portion of window hold open mechanism shown in dotted lines for illustrative purposes only in FIGS. 1–7 does not constitute a part of the claimed design.

(56) **References Cited**

U.S. PATENT DOCUMENTS

- D. 197,733 * 3/1964 Orenstein .
- D. 254,772 * 4/1980 Buck, Jr. D8/306
- D. 371,290 * 7/1996 Ozark D8/307
- 2,745,692 * 5/1956 Persson .
- 3,974,753 * 8/1976 Blomgren et al. .

1 Claim, 4 Drawing Sheets

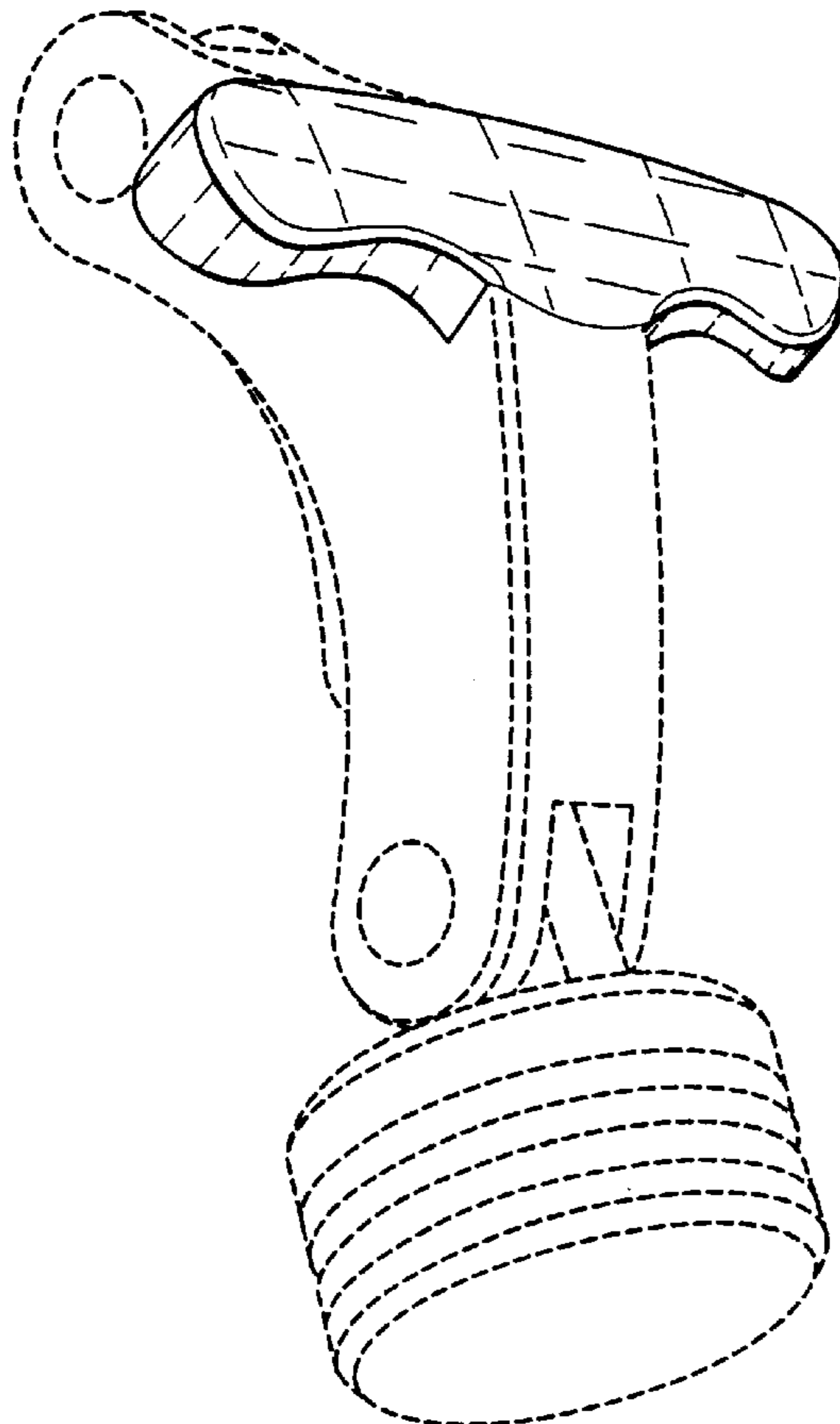


Fig. 1

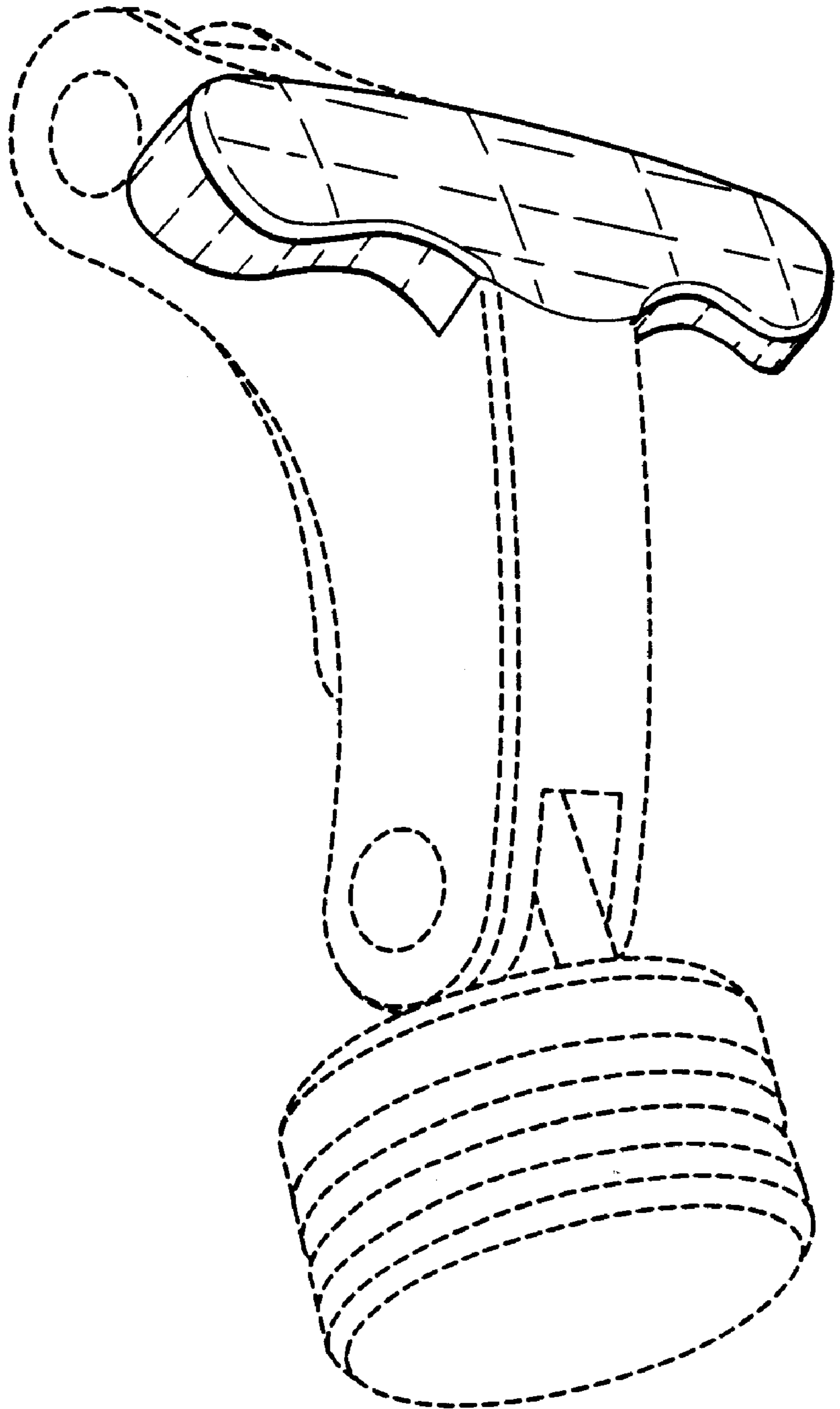


Fig. 2

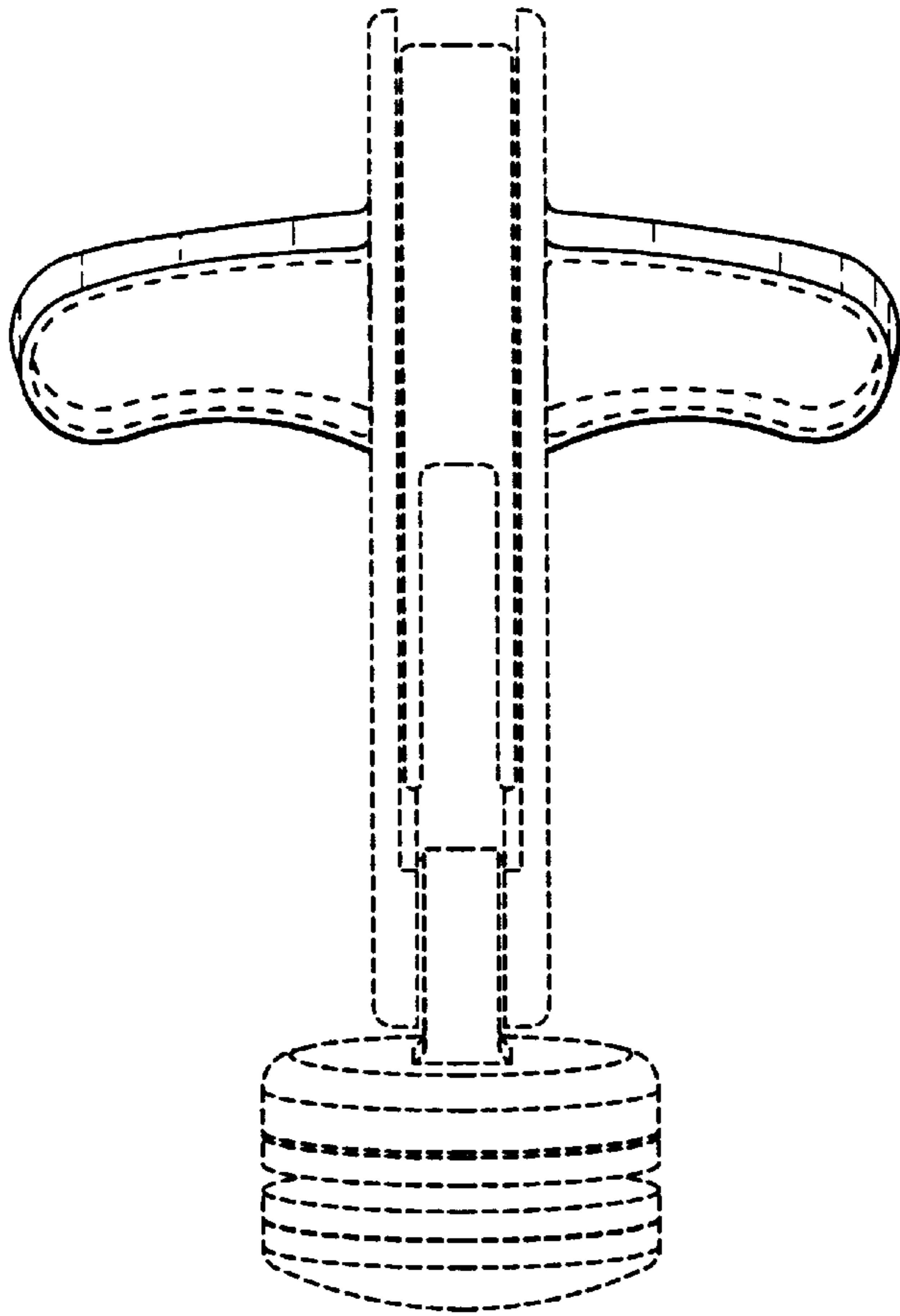


Fig. 3

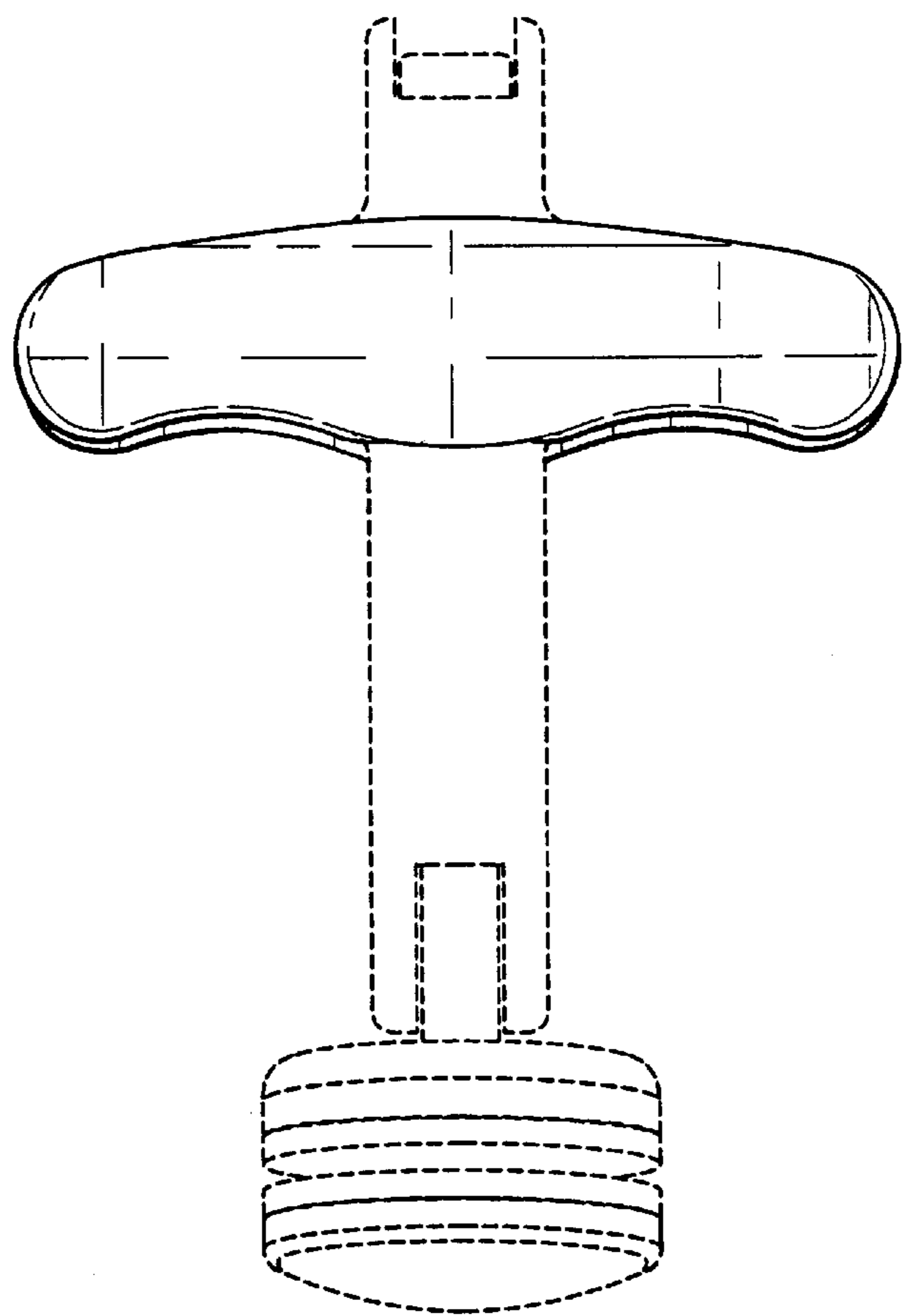


Fig. 4

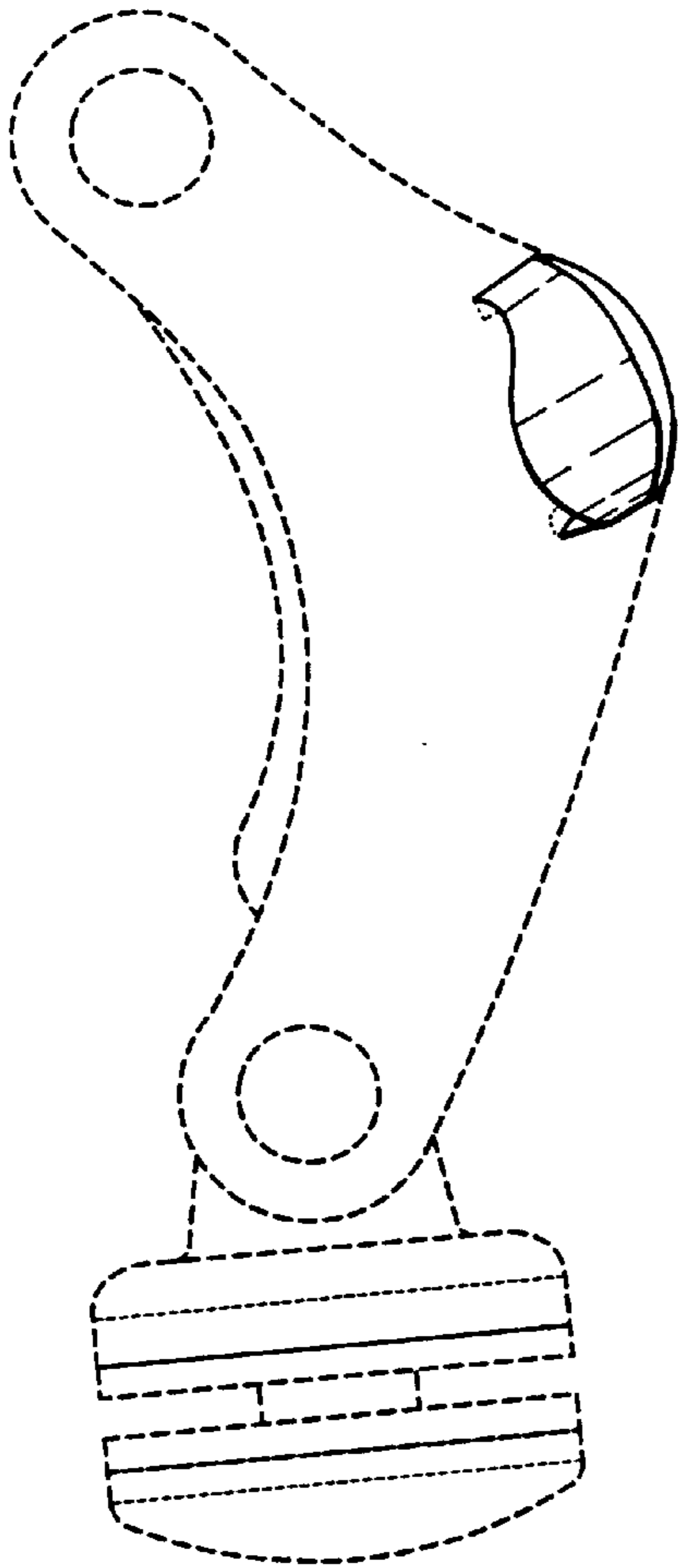


Fig. 5

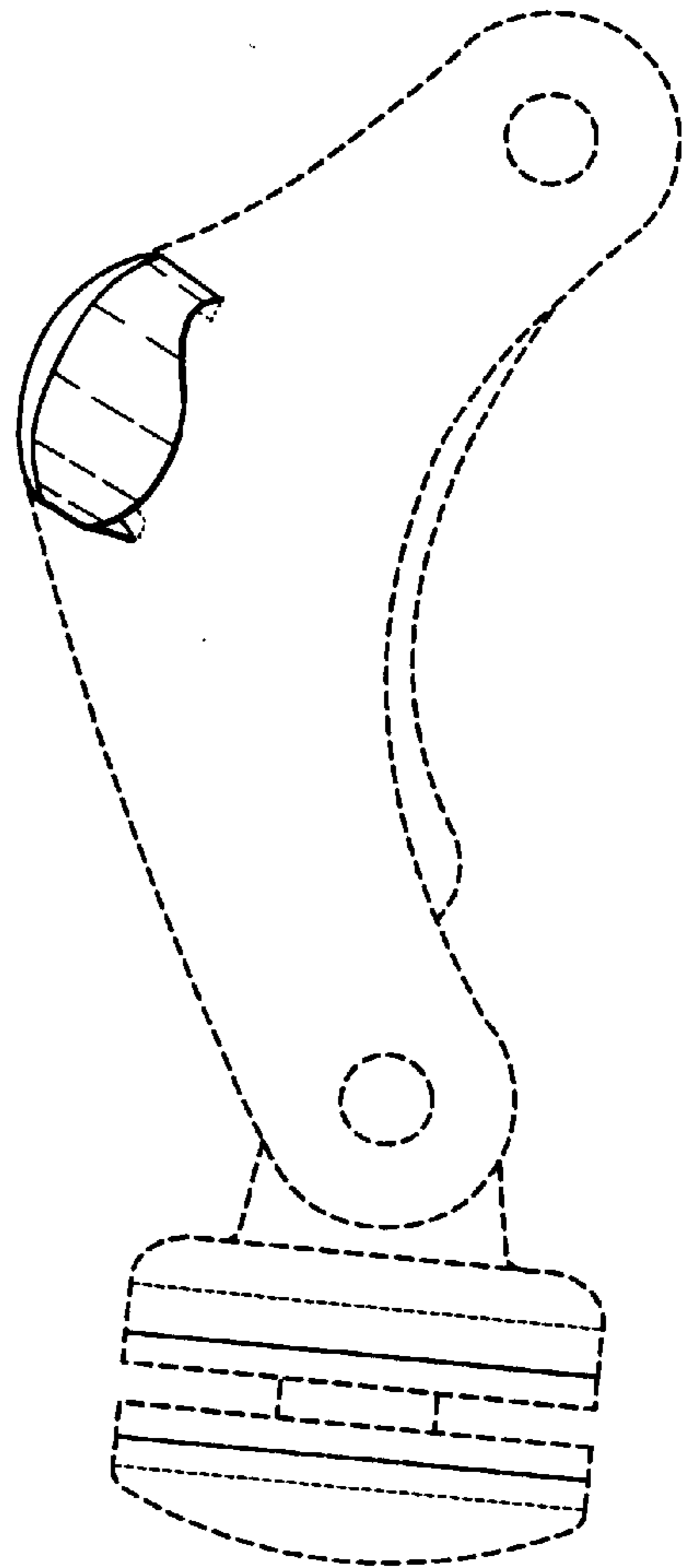


Fig. 6

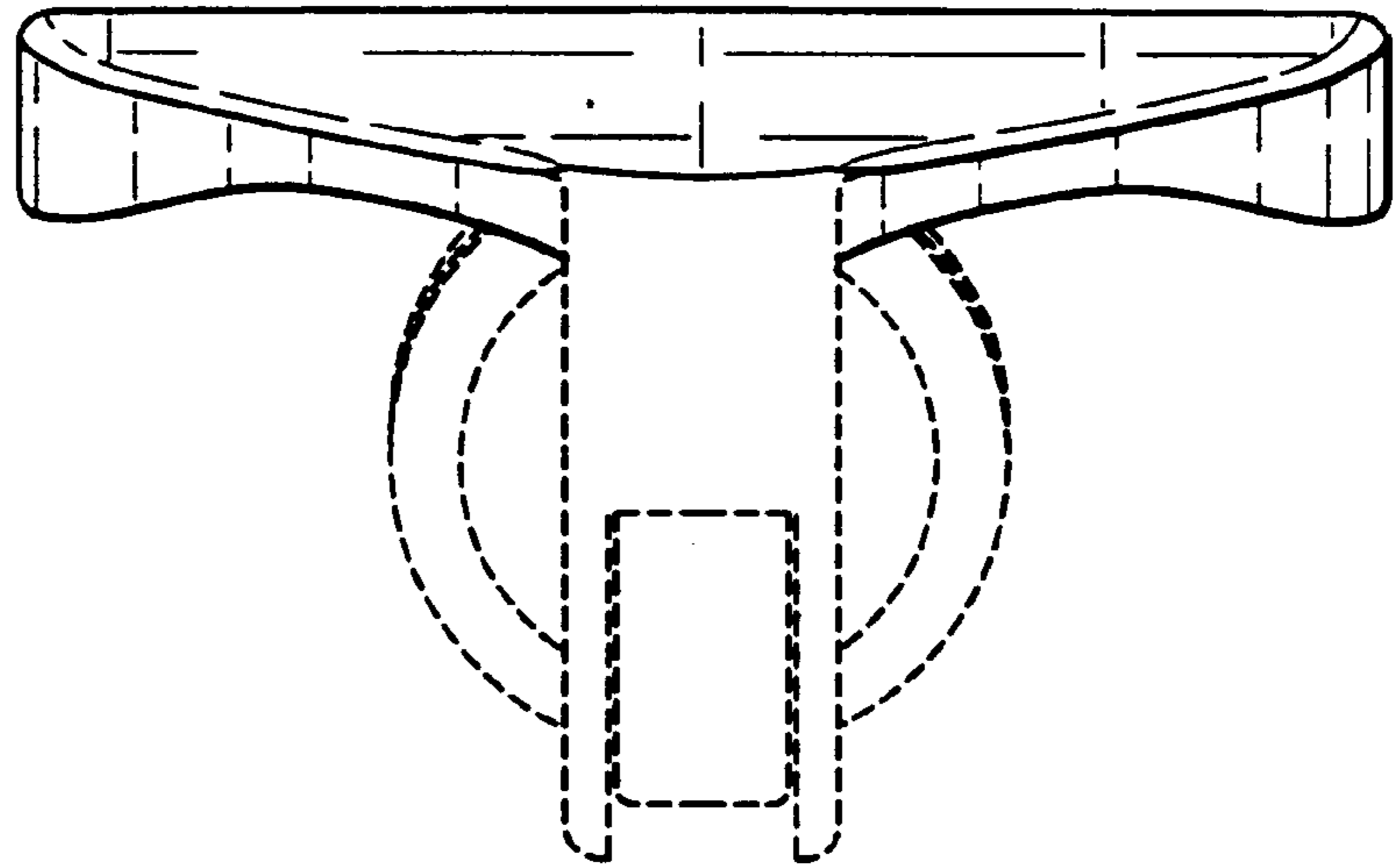


Fig. 7

