



US00D443808S

(12) **United States Design Patent**  
**Adelmeyer**

(10) **Patent No.:** **US D443,808 S**  
(45) **Date of Patent:** **\*\* Jun. 19, 2001**

(54) **CYLINDER PORTION OF A LEVER-TYPE LOCKSET**

(75) Inventor: **Gerard G. Adelmeyer**, Monarch Beach, CA (US)

(73) Assignee: **Emhart Inc.**, Newark, DE (US)

(\*\*) Term: **14 Years**

(21) Appl. No.: **29/109,354**

(22) Filed: **Aug. 13, 1999**

(51) **LOC (7) Cl.** ..... **08-06**

(52) **U.S. Cl.** ..... **D8/321; D8/308**

(58) **Field of Search** ..... D8/302, 308, 321;  
823/250-254; 292/336.3, 356, 173; 74/548,  
519, 523; 16/412, 110.1

(56) **References Cited**

**U.S. PATENT DOCUMENTS**

- D. 289,369 4/1987 Foshee .
- D. 306,251 2/1990 Kuli .
- D. 332,904 2/1993 Plummer et al. .
- D. 348,821 7/1994 Carsello .
- D. 353,088 12/1994 Johansson et al. .

- D. 356,241 3/1995 Decursu .
- D. 360,345 7/1995 Swan et al. .
- D. 363,205 10/1995 Glenn .
- D. 368,637 4/1996 Rochette et al. .
- D. 369,968 5/1996 Decursu et al. .
- D. 373,063 8/1996 Carsello .
- D. 379,916 6/1997 Chung .
- D. 395,220 6/1998 Klinker .

*Primary Examiner*—B. J. Bullock

(74) *Attorney, Agent, or Firm*—Harness, Dickey & Pierce, P.L.C.

(57) **CLAIM**

The ornamental design for a cylinder portion of a lever-type lockset, as shown and described.

**DESCRIPTION**

FIG. 1 is a perspective view of the cylinder portion of a lever-type lockset in accordance with the present invention. FIG. 2 is a front elevational view of the present invention. FIG. 3 is a rear elevational view of the present invention. FIG. 4 is a bottom plan view of the present invention, it being understood that the top plan view is identical thereto; and, FIG. 5 is a left side elevational view of the present invention.

**1 Claim, 1 Drawing Sheet**

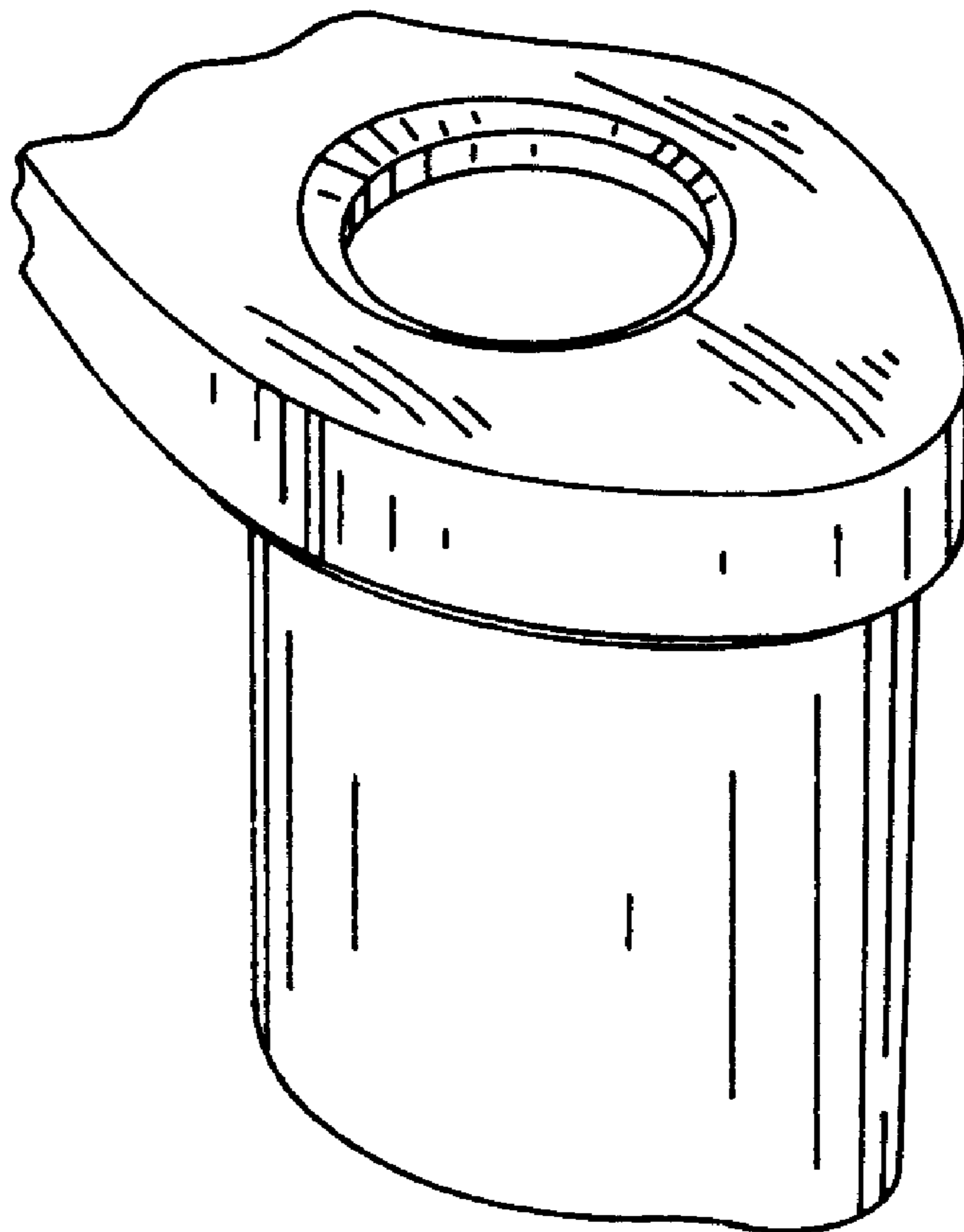


FIG 1

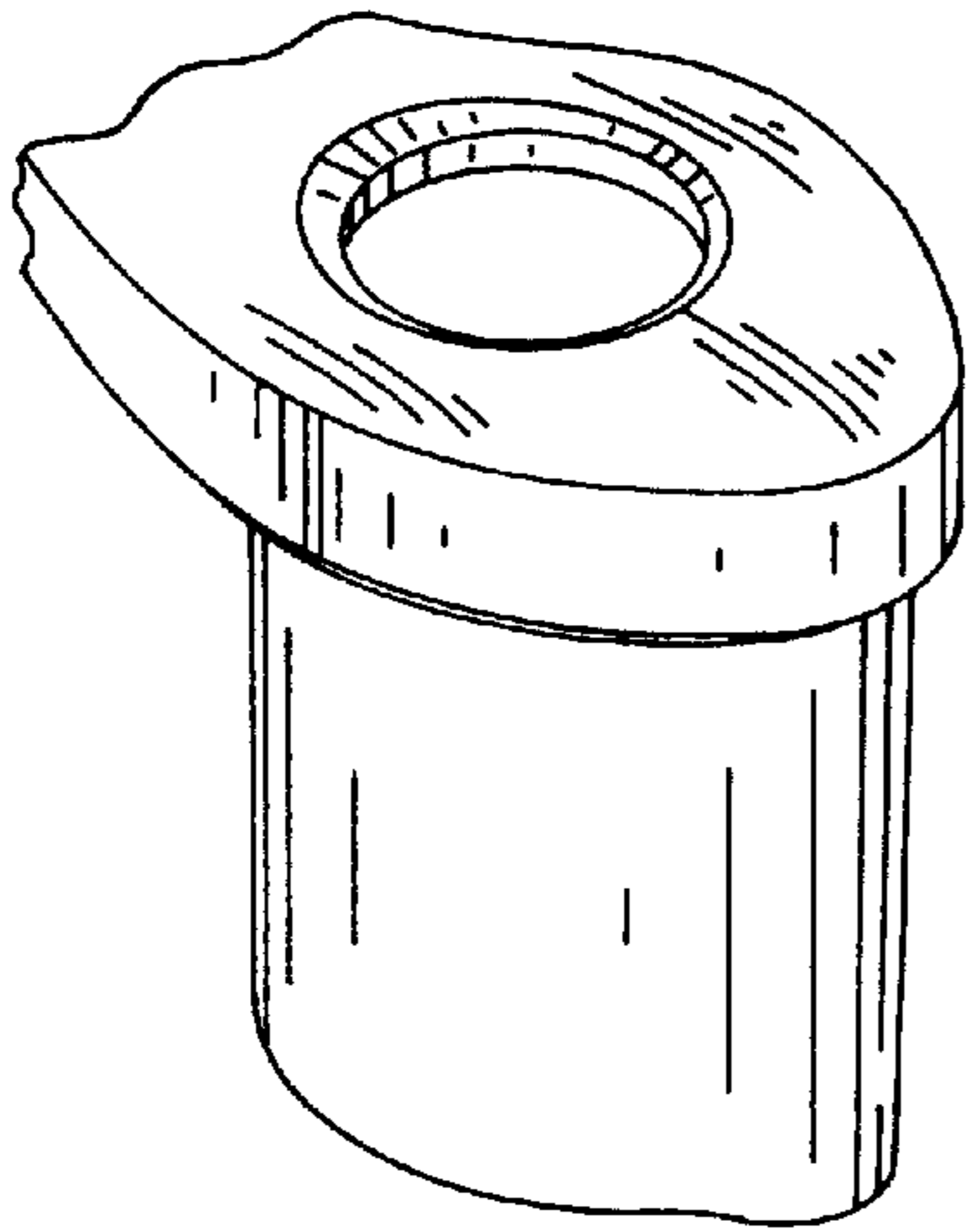


FIG 2

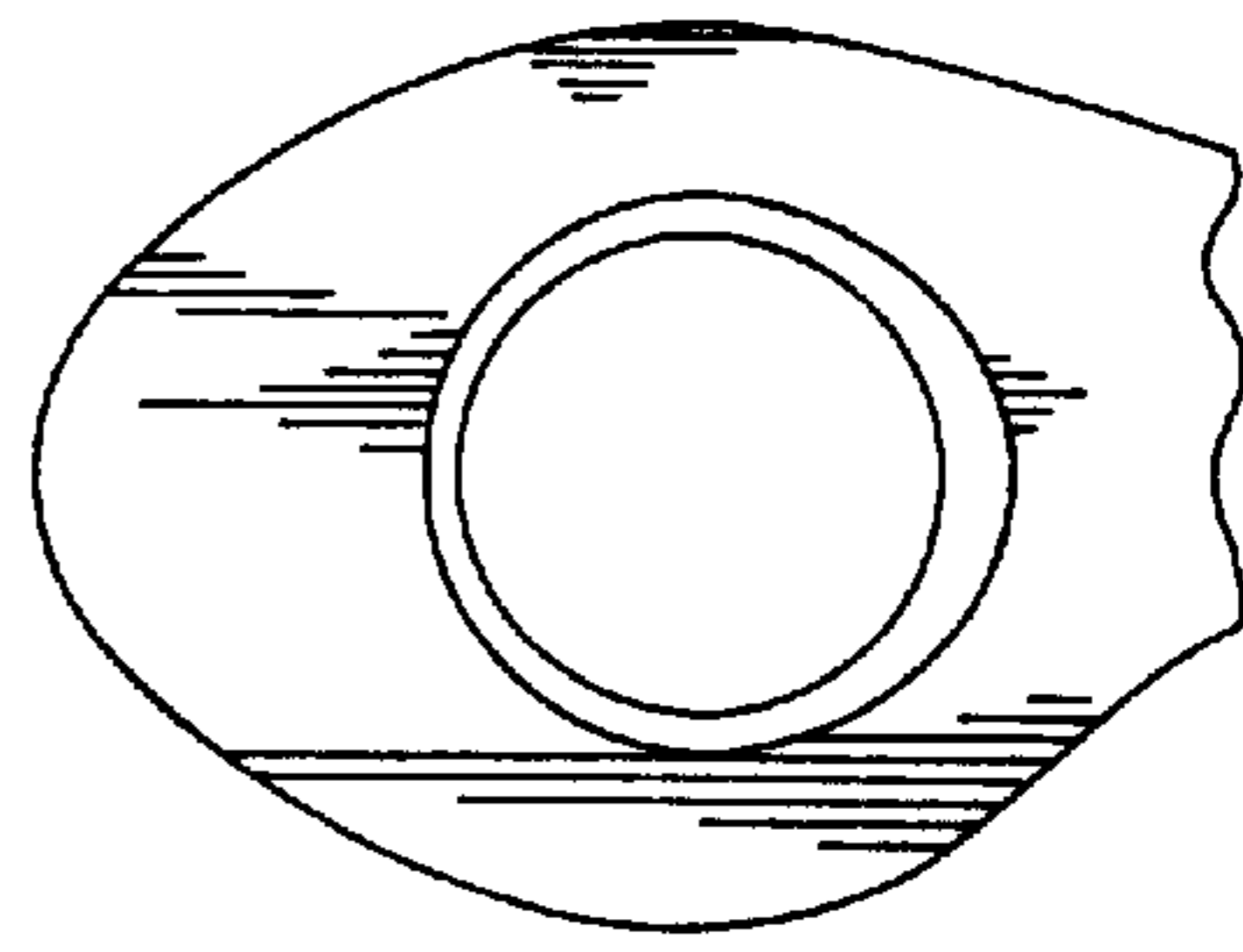


FIG 4

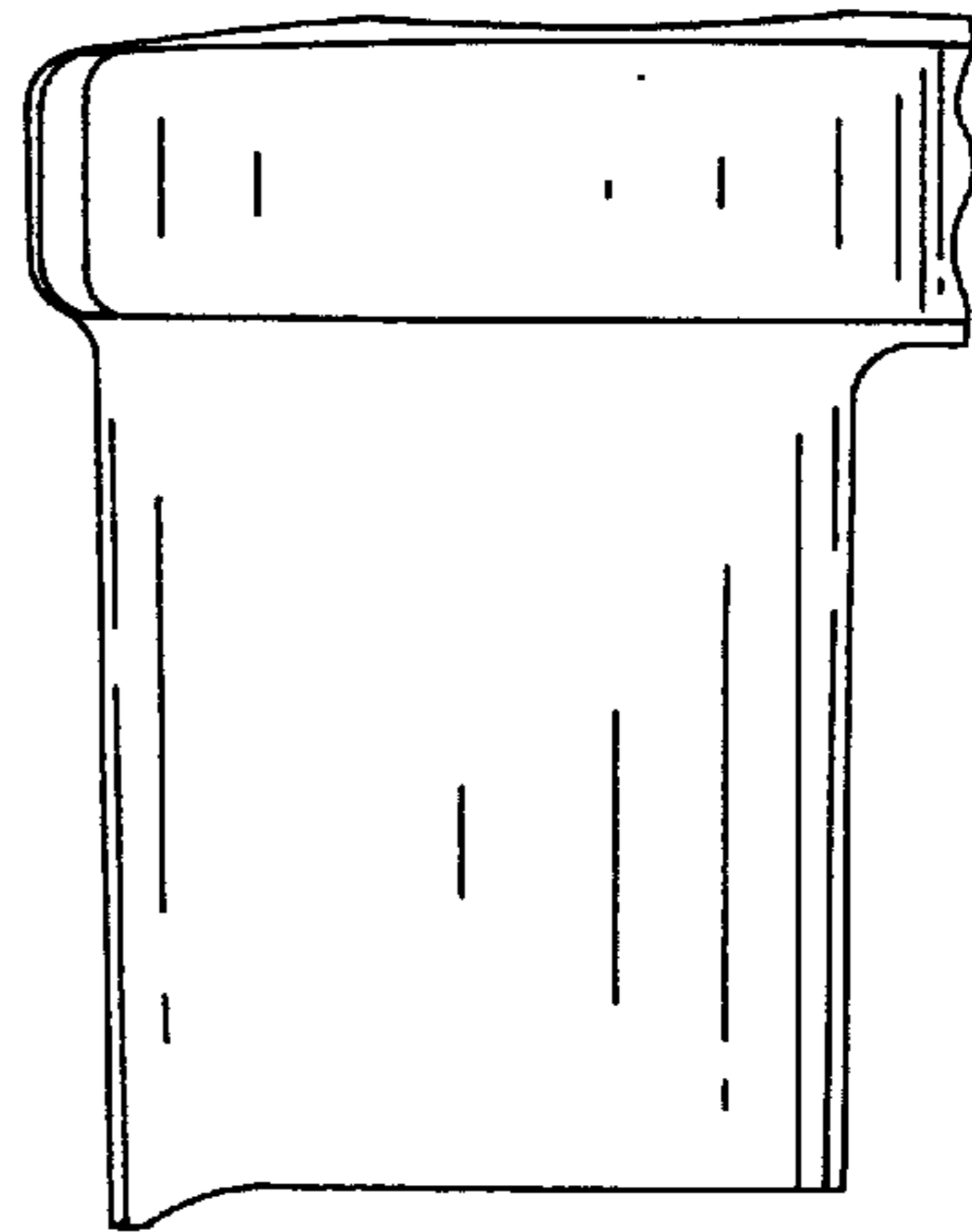


FIG 5

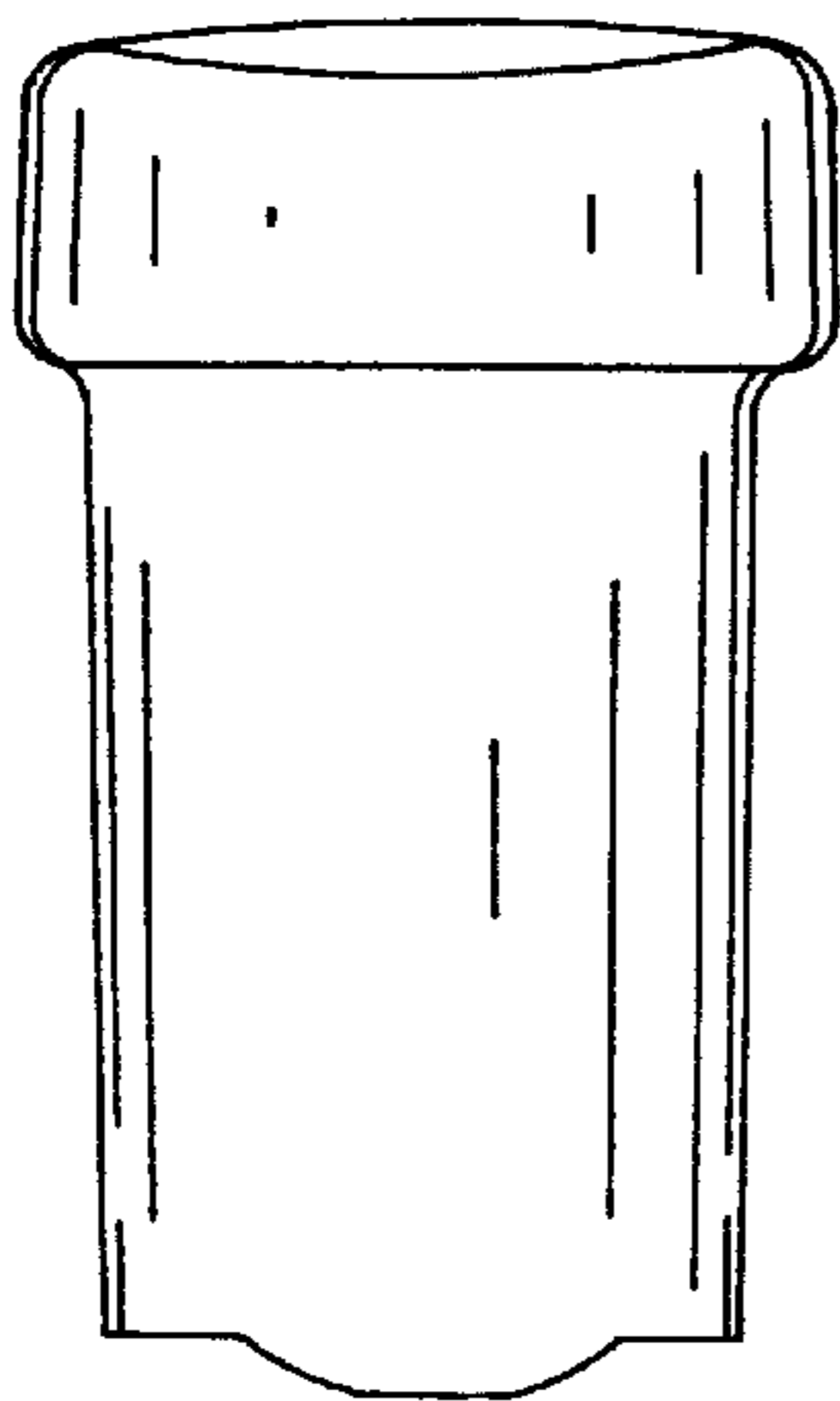


FIG 3

