



US00D443806S

(12) **United States Design Patent**
Fladgard et al.

(10) **Patent No.:** **US D443,806 S**

(45) **Date of Patent:** **** Jun. 19, 2001**

- (54) **FIBER-CEMENT CUTTING TOOL**
- (75) Inventors: **Scott C. Fladgard**, Kingston; **Joseph Gaidjergis**, Renton, both of WA (US)
- (73) Assignee: **Shear Technologies, LLC**, Kingston, WA (US)
- (**) Term: **14 Years**
- (21) Appl. No.: **29/118,852**
- (22) Filed: **Feb. 17, 2000**

| | | | |
|-----------|-----------|----------------------|--------|
| 4,682,416 | 7/1987 | Stolfa | 30/228 |
| 5,038,477 | 8/1991 | Parrow | 30/253 |
| 5,125,158 | 6/1992 | Casebolt et al. | 30/228 |
| 5,172,479 | 12/1992 | Keeton | 30/228 |
| 5,353,504 | 10/1994 | Pai | 30/228 |
| 5,365,915 | 11/1994 | Yu | 7/158 |
| 5,395,026 | 3/1995 | Yu | 7/133 |
| 5,566,454 | 10/1996 | Eisenbraun | 30/228 |
| 5,570,678 | 11/1996 | Waggoner et al. | 83/624 |
| 5,722,386 | 3/1998 | Fladgard et al. | 125/40 |
| 5,875,554 | 3/1999 | Vogelslanger | 30/228 |
| 5,992,024 | * 11/1999 | Rogers | 30/228 |

* cited by examiner

Related U.S. Application Data

- (63) Continuation-in-part of application No. 09/436,790, filed on Nov. 8, 1999, which is a continuation of application No. 09/036,249, filed on Mar. 6, 1998, now Pat. No. 5,993,303.
- (51) **LOC (7) Cl.** **08-03**
- (52) **U.S. Cl.** **D8/61; D8/98**
- (58) **Field of Search** 30/228, 258; 451/356; D8/61, 20, 98

Primary Examiner—Philip S. Hyder
(74) *Attorney, Agent, or Firm*—Perkins Coie LLP

(57) **CLAIM**

The ornamental design for a fiber-cement cutting tool, as shown and described.

DESCRIPTION

FIG. 1 is a top, left, front isometric view of an embodiment of a fiber-cement cutting tool showing our new design. FIG. 2 is a left-side elevational view thereof. FIG. 3 is a right-side elevational view thereof. FIG. 4 is a front elevational view thereof; and, FIG. 5 is a top plan view thereof.

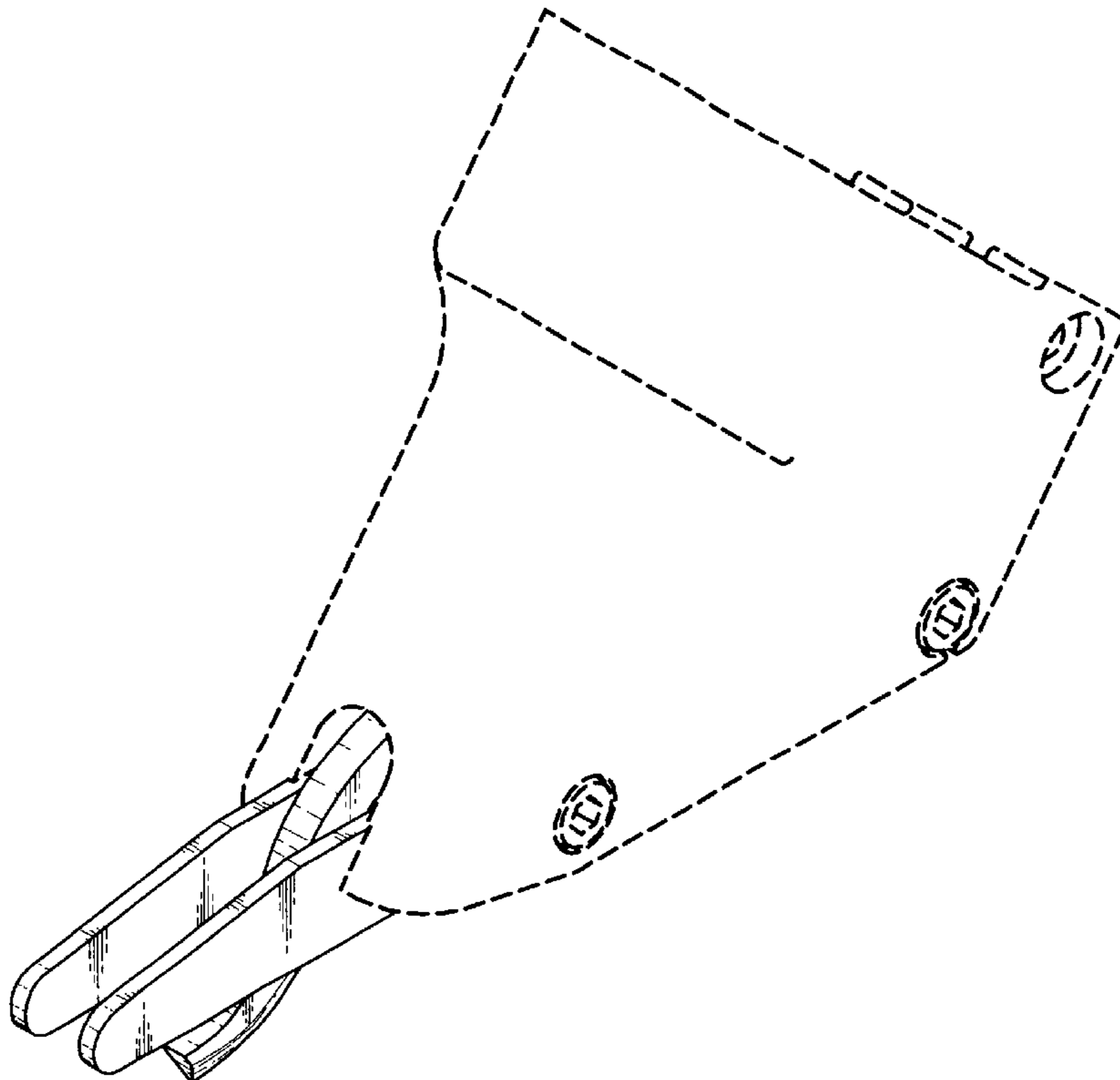
The broken line portions of the disclosure are for illustration purposes only and form no part of the claimed design.

(56) **References Cited**

U.S. PATENT DOCUMENTS

| | | | | |
|------------|---|---------|------------------------|--------|
| D. 413,241 | * | 8/1999 | Lai | D8/61 |
| 3,693,254 | | 9/1972 | Salonen | 30/228 |
| 4,007,523 | | 2/1977 | Bianco | 30/258 |
| 4,173,069 | | 11/1979 | Sidenstick et al. | 30/228 |
| 4,543,719 | * | 10/1985 | Pardoe | 30/134 |

1 Claim, 3 Drawing Sheets



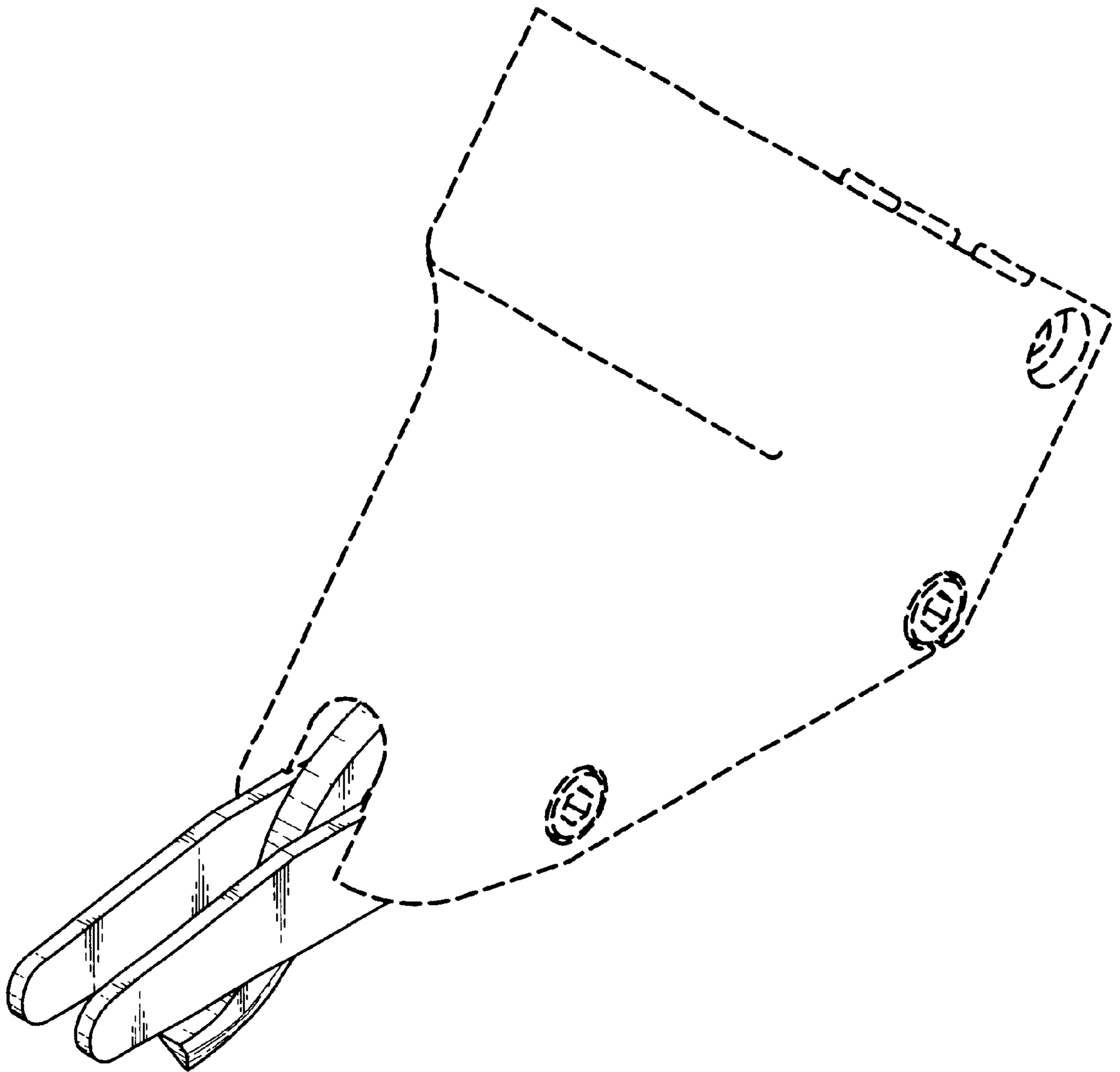


Fig. 1

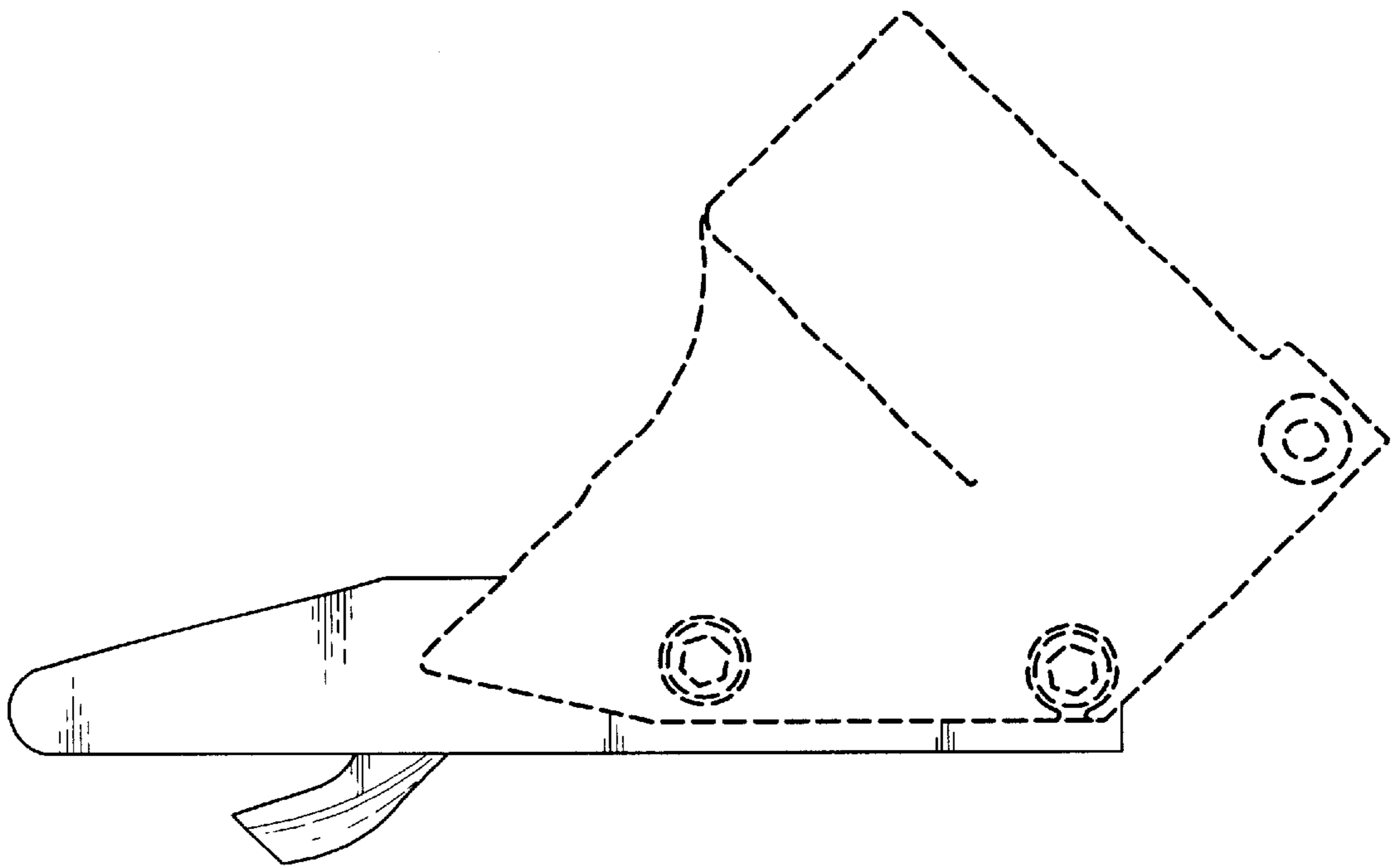


Fig. 2

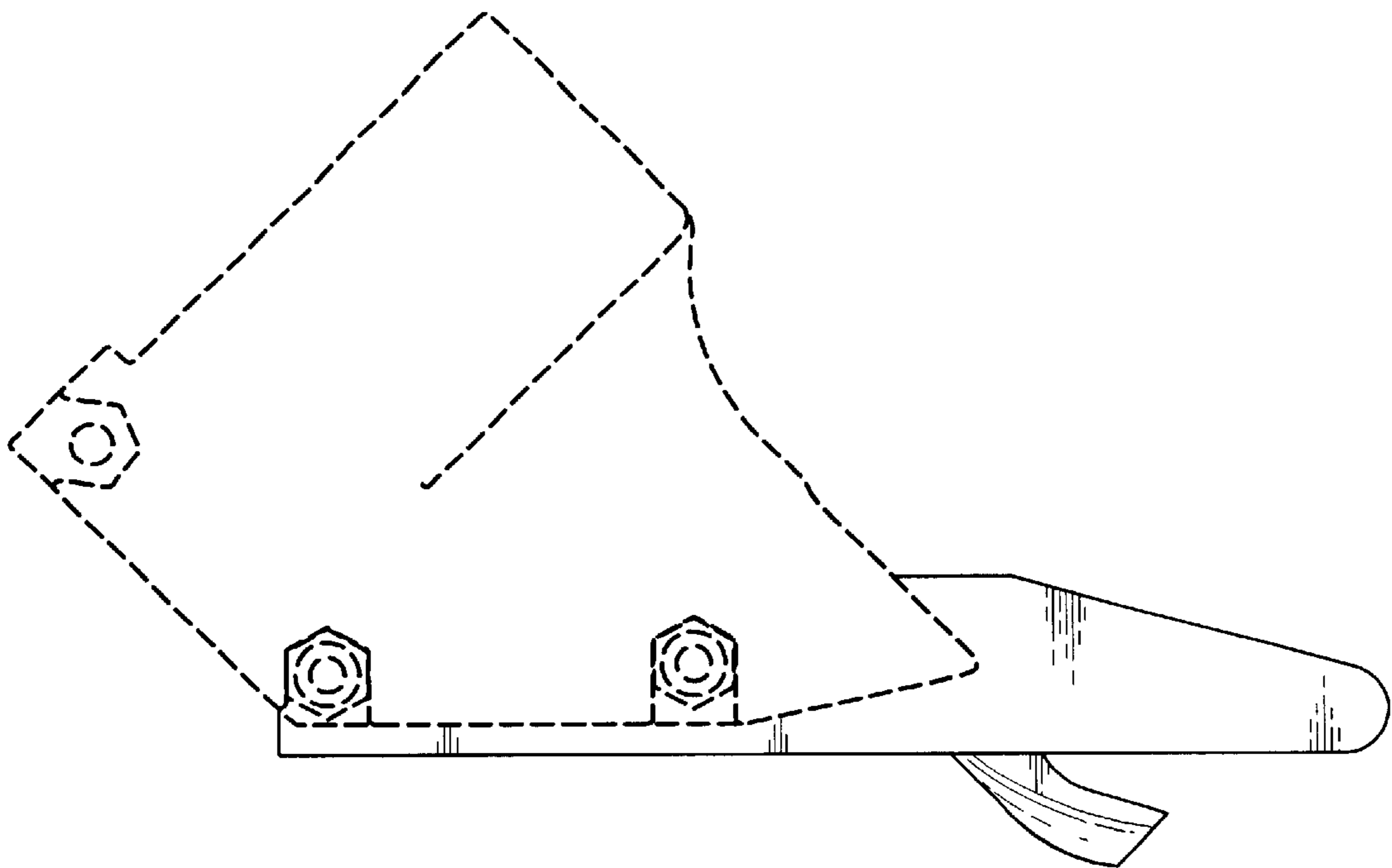


Fig. 3

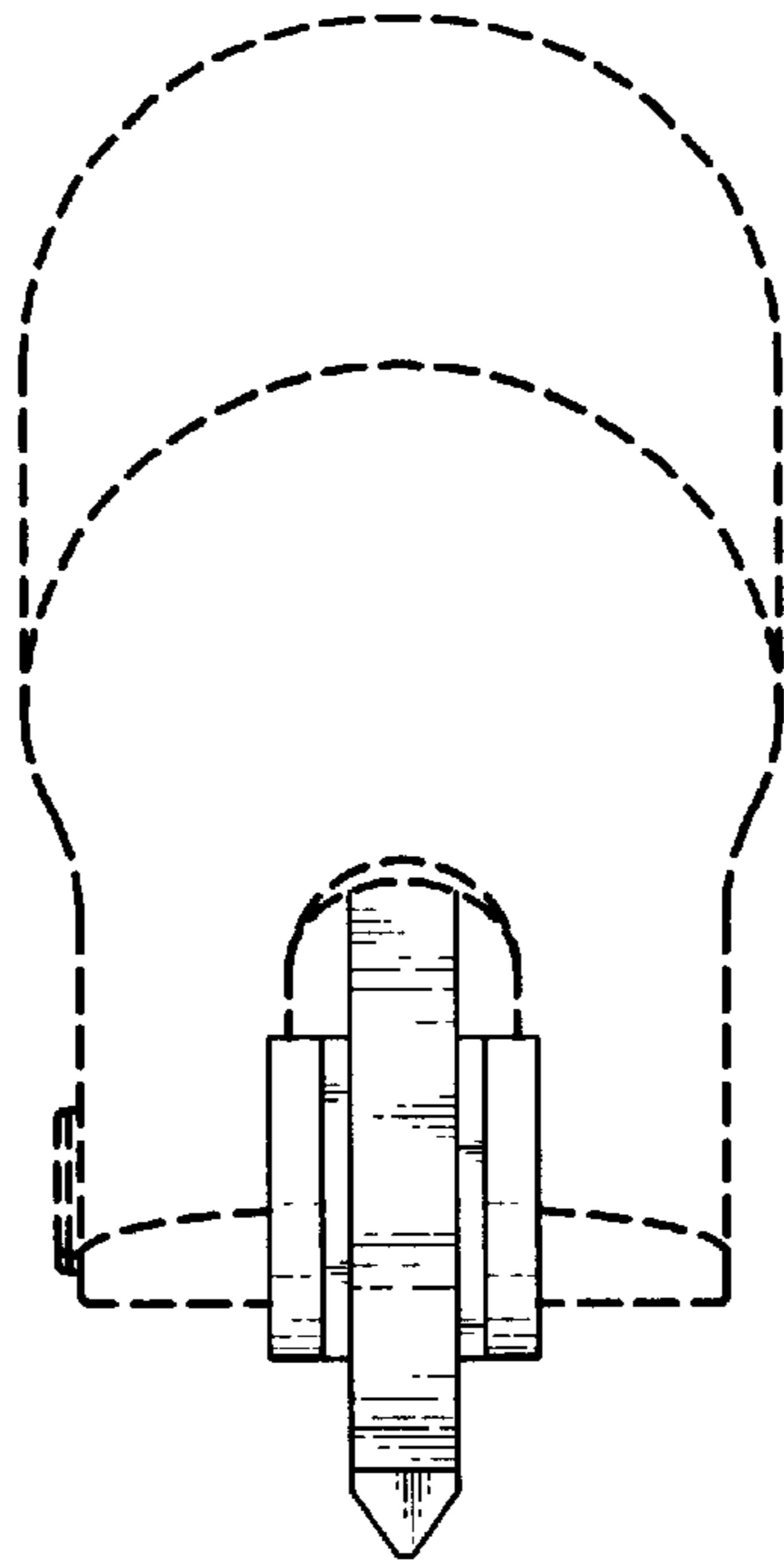


Fig. 4

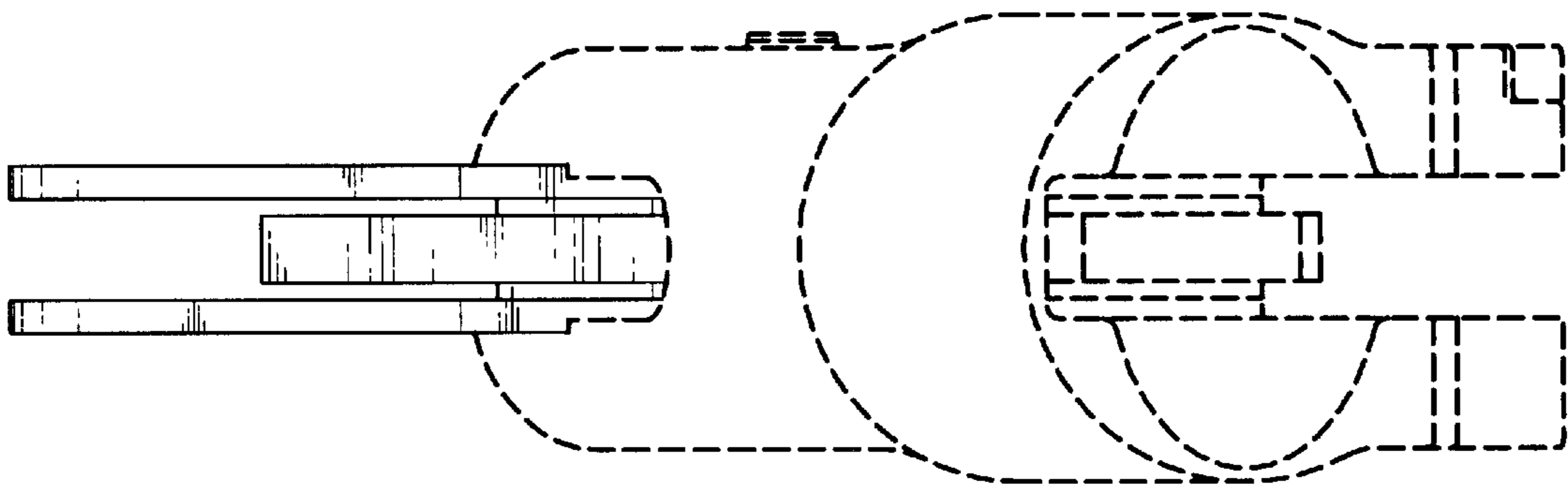


Fig. 5