



US00D443805S

(12) **United States Design Patent**
Holden

(10) **Patent No.:** **US D443,805 S**

(45) **Date of Patent:** **** Jun. 19, 2001**

(54) **SHARK SHAPED CORKSCREW**

(76) Inventor: **Mark Holden**, Universal Housewares,
15 Reynolds Road, Chiswick, London
W4 5AR (GB)

(**) Term: **14 Years**

(21) Appl. No.: **29/109,305**

(22) Filed: **Aug. 12, 1999**

(30) **Foreign Application Priority Data**

Feb. 12, 1999 (GB) 2081150

(51) **LOC (7) Cl.** **07-06**

(52) **U.S. Cl.** **D8/42; D8/38**

(58) **Field of Search** D8/33-43, 18,
D8/19; 30/400-443; 81/3.07-3.49; 7/151-156

(56) **References Cited**

U.S. PATENT DOCUMENTS

D. 98,968	*	3/1936	Smythe	D8/42
D. 148,810	*	2/1948	McDowell	D8/42
D. 173,890	*	1/1955	Bays et al.	D8/38
D. 240,999	*	8/1976	Hall	D8/38
D. 279,645	*	7/1985	Makris	D8/38
330,357	*	11/1885	Wier	81/3.37
D. 334,696	*	4/1993	Makris	D8/38

D. 349,224	*	8/1994	Hughes et al.	D8/42
D. 353,687	*	12/1994	Dacko	D21/599 X
747,351	*	12/1903	Armstrong	81/3.37
4,887,497	*	12/1989	Daviddi	81/3.37
5,588,342	*	12/1996	Ahlgren et al.	81/3.47

* cited by examiner

Primary Examiner—Jeffrey Asch

(74) *Attorney, Agent, or Firm*—Davis & Bujold, P.L.L.C.

(57) **CLAIM**

The ornamental design for a shark shaped corkscrew, as shown and described.

DESCRIPTION

FIG. 1 is a front side elevation of a first embodiment of a shark shaped corkscrew embodying my new design, the rear side elevation view being a mirror image thereof;

FIG. 2 is a top plan view thereof;

FIG. 3 is a bottom plan view thereof;

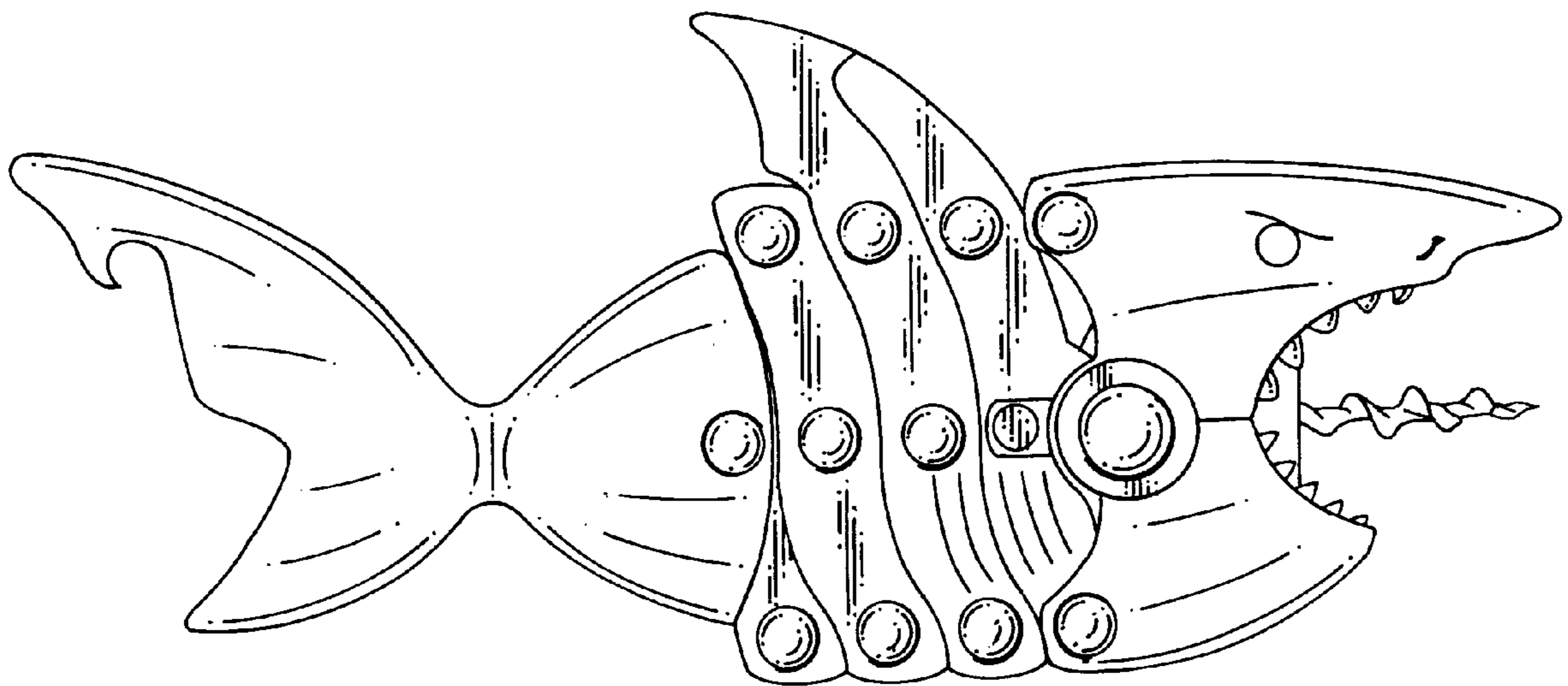
FIG. 4 is a rear elevational view thereof;

FIG. 5 is a front elevation view thereof;

FIG. 6 is an expanded side elevation view of a second embodiment of the shark shaped corkscrew which has exactly the same appearance as the first embodiment except for the alternative screw feature; and,

FIG. 7 is a folded front side elevation view of FIG. 6.

1 Claim, 3 Drawing Sheets



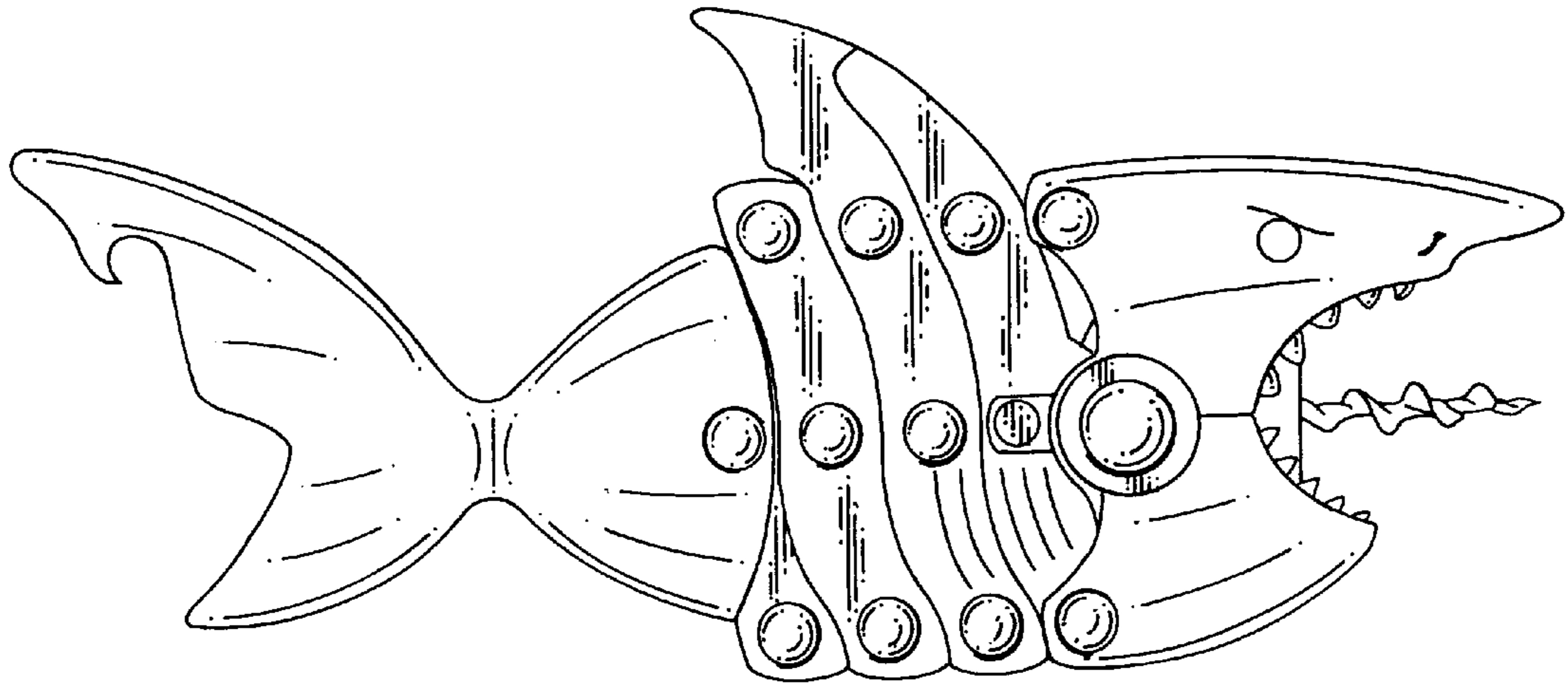


FIG. 1

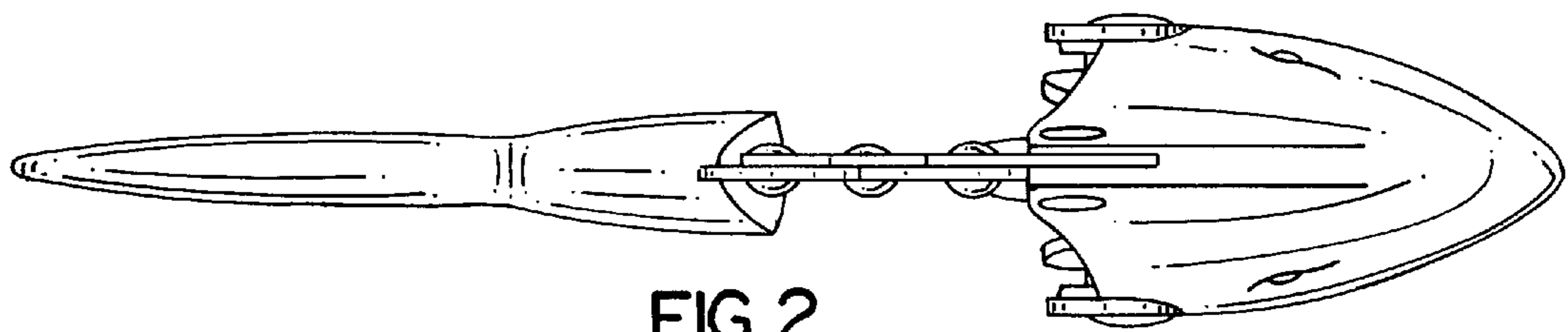


FIG. 2

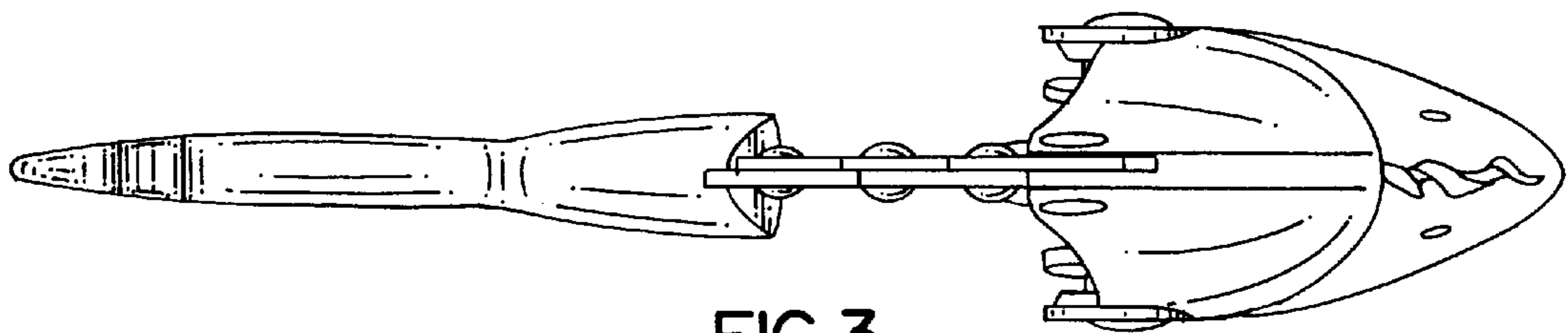


FIG. 3

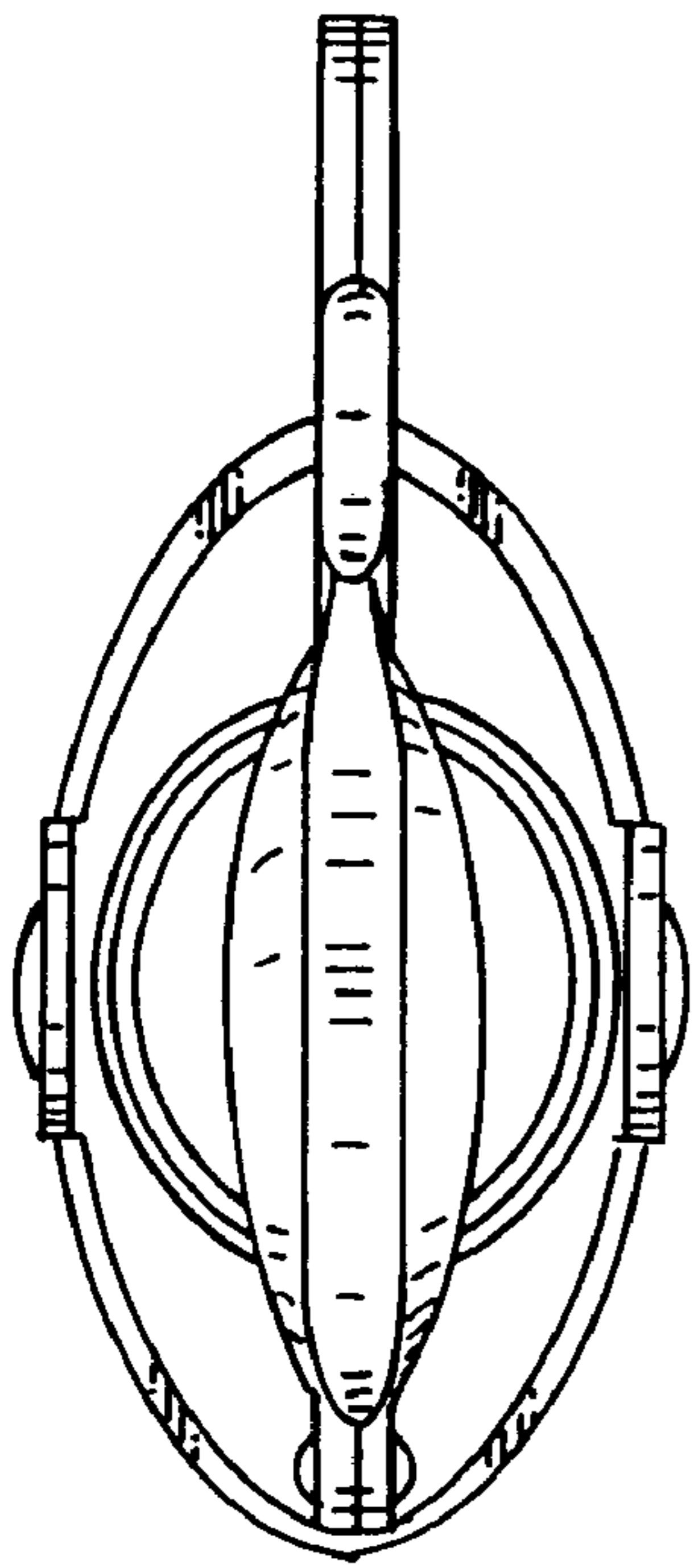


FIG. 4

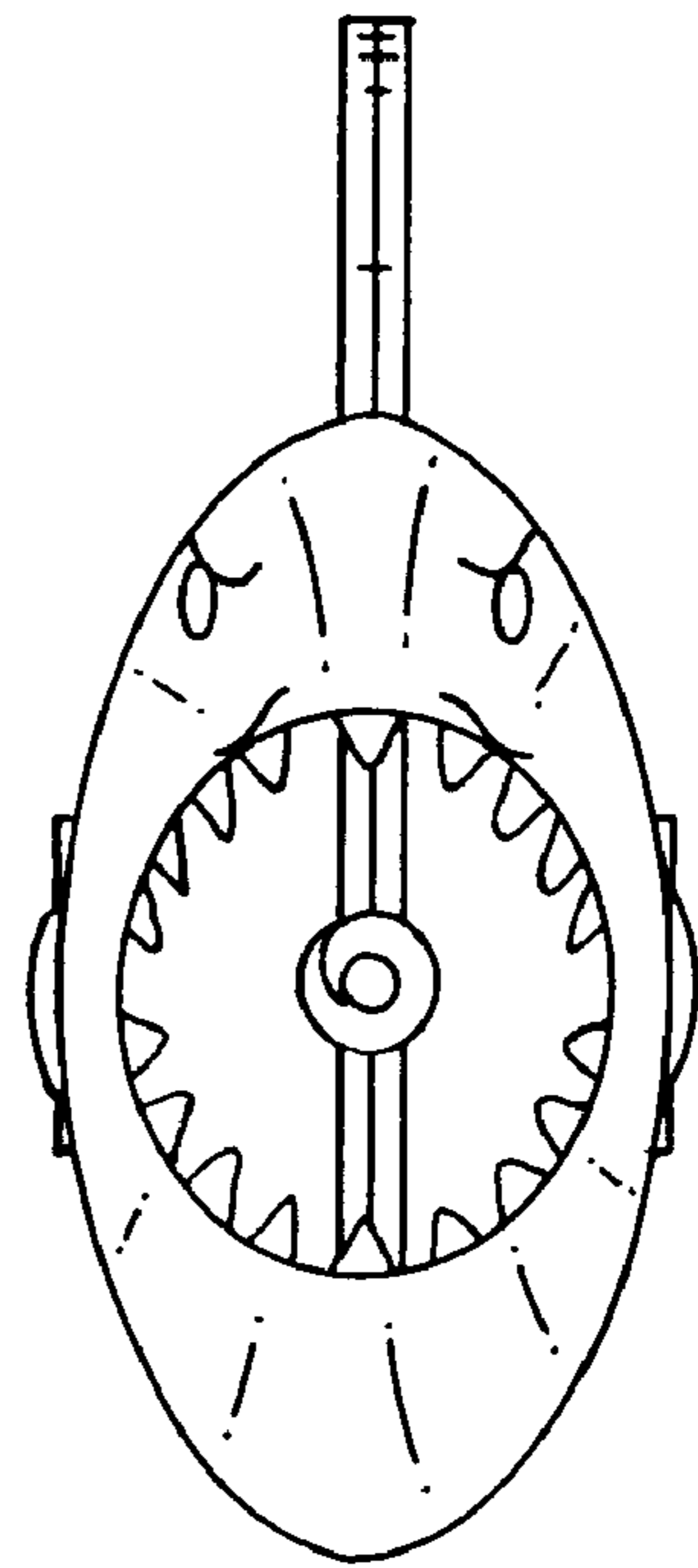


FIG. 5

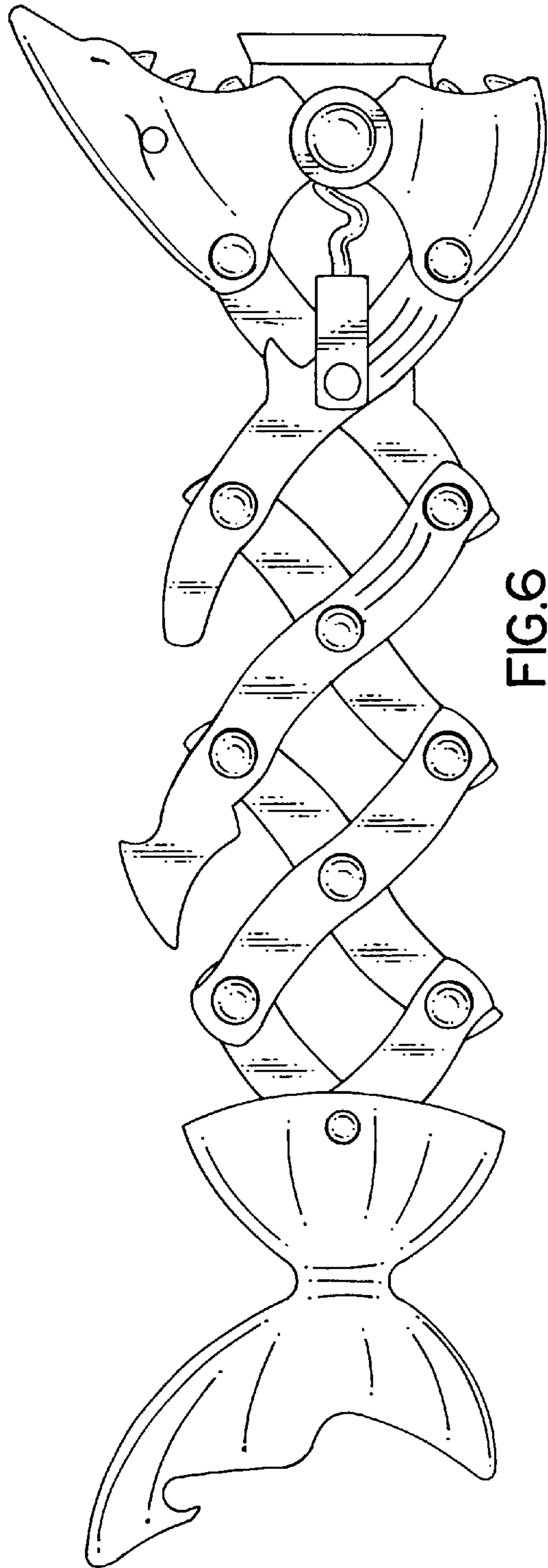


FIG. 6

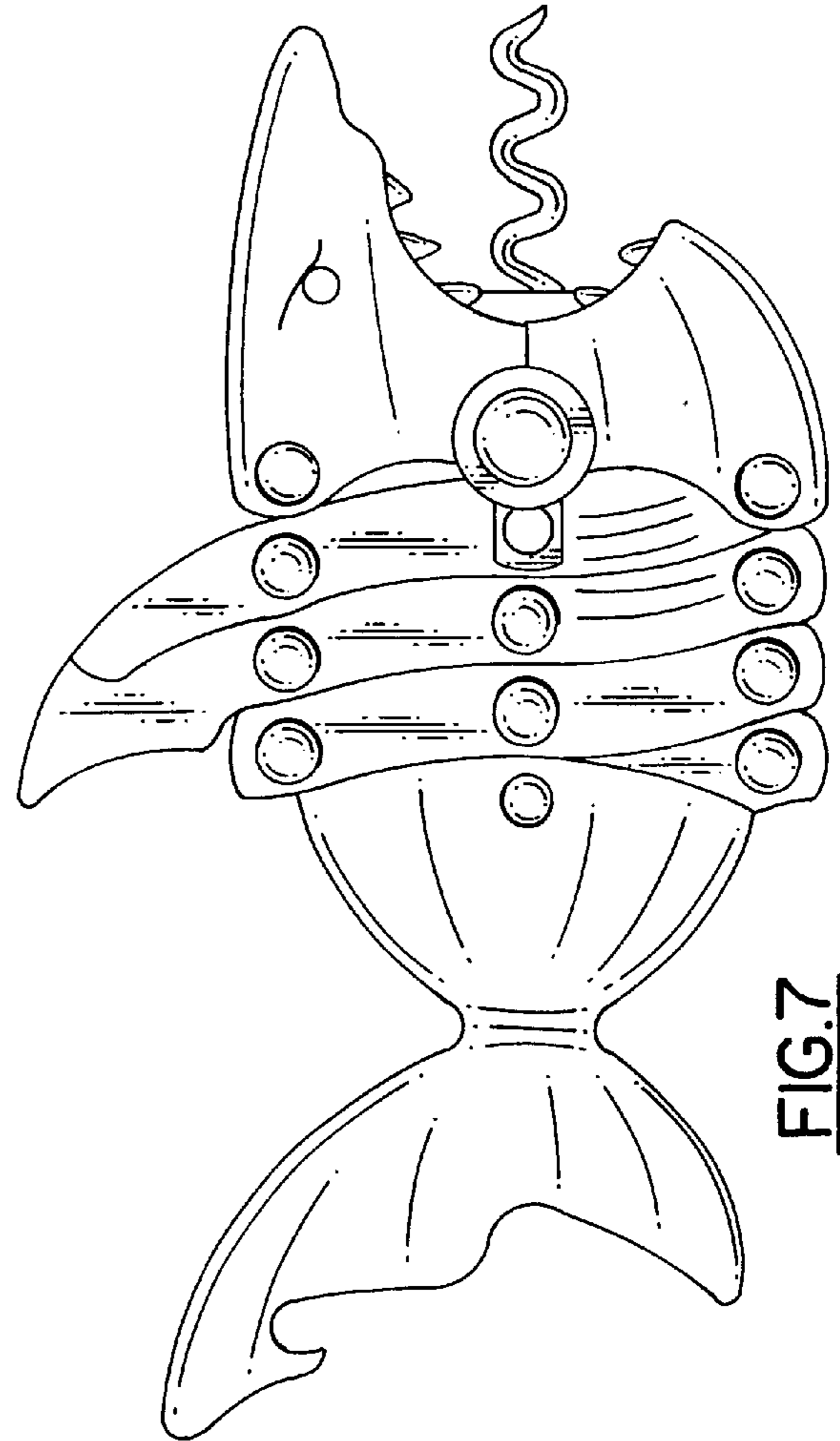


FIG. 7