



US00D443800S

(12) **United States Design Patent**
Weterrings

(10) **Patent No.:** **US D443,800 S**

(45) **Date of Patent:** **** Jun. 19, 2001**

(54) **BUTTER CUTTER AND STORAGE UNIT**
(75) Inventor: **Frans M. Weterrings**, Florence, AL
(US)
(73) Assignee: **Robbins Industries, Inc.**, Florence, AL
(US)
(**) Term: **14 Years**

2,580,864 1/1952 Upright .
2,787,565 * 7/1957 Anderson 30/114 X
2,813,336 11/1957 Ackerman .
2,814,113 11/1957 Morlacchi .
4,103,579 8/1978 Rowe .
4,513,501 4/1985 Lee .
4,697,488 10/1987 Cole .

* cited by examiner

Primary Examiner—Terry A. Wallace

(74) *Attorney, Agent, or Firm*—Kramer Levin Naftalis & Frankel LLP; Gregor N. Neff

(21) Appl. No.: **29/127,694**
(22) Filed: **Aug. 10, 2000**

(51) **LOC (7) Cl.** **07-04**
(52) **U.S. Cl.** **D7/670; D7/673**
(58) **Field of Search** D7/368, 669, 670,
D7/673; 30/116, 115, 124; 83/437.2, 437.4,
417, 415, 395, 610, 648, 651.1; 222/47,
80, 157, 387, 390, 391

(57) **CLAIM**

The ornamental design for a butter cutter and storage unit, as shown and described.

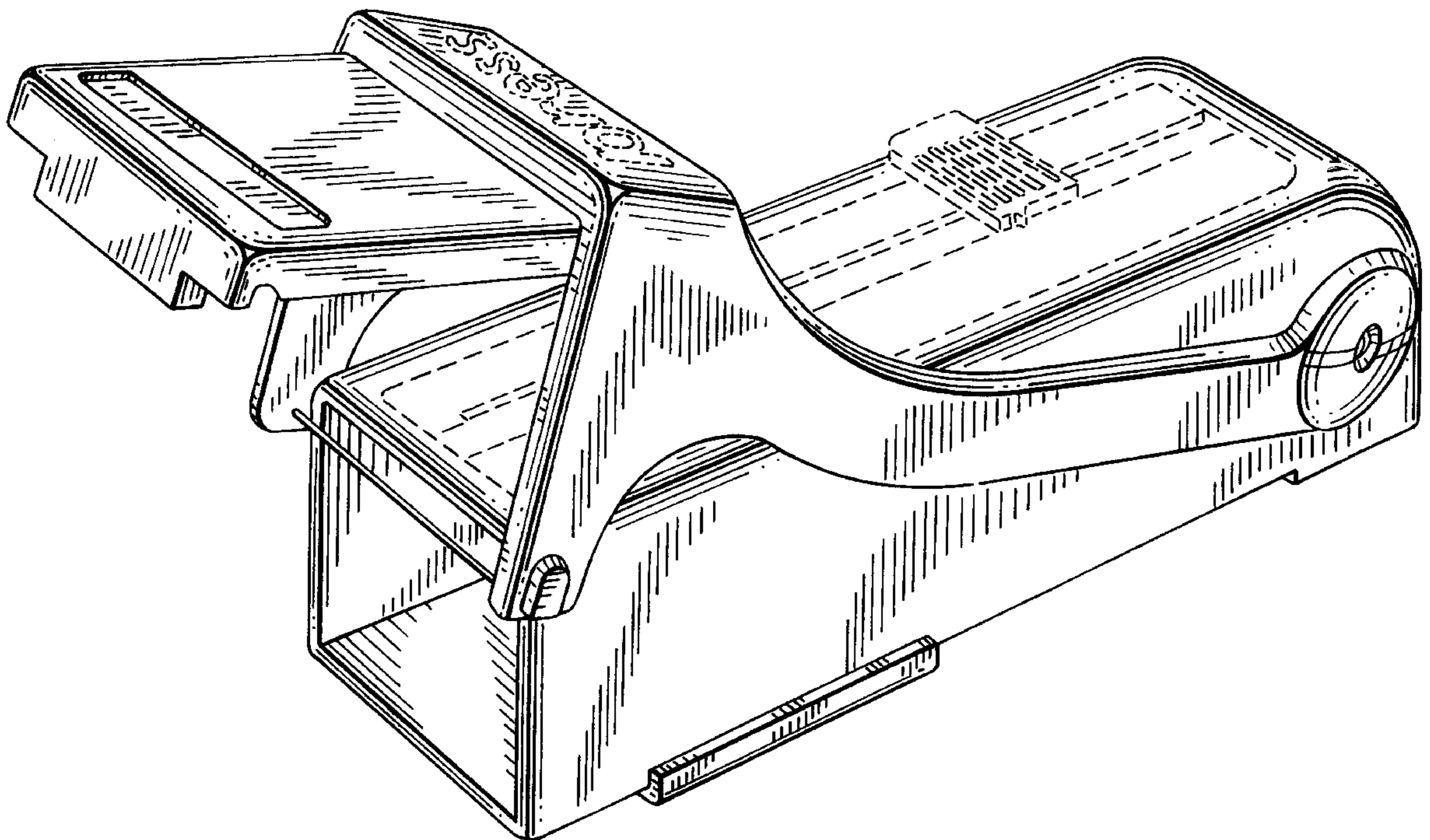
DESCRIPTION

FIG. 1 is a right rear perspective view of the butter cutter and storage unit design of the present invention; FIG. 2 is a front left perspective view of the device shown in FIG. 1; and, FIG. 3 is a front left perspective view of the device shown in FIGS. 1 and 2 in the open position. The bottom surface of the device is unadorned.

(56) **References Cited**
U.S. PATENT DOCUMENTS

D. 166,619 * 4/1952 Paul D7/673
1,595,097 8/1926 Howell .
1,679,004 7/1928 Pinkel et al. .
2,444,704 7/1948 Keefer .
2,489,667 * 11/1949 Pennell D7/673 X

1 Claim, 2 Drawing Sheets



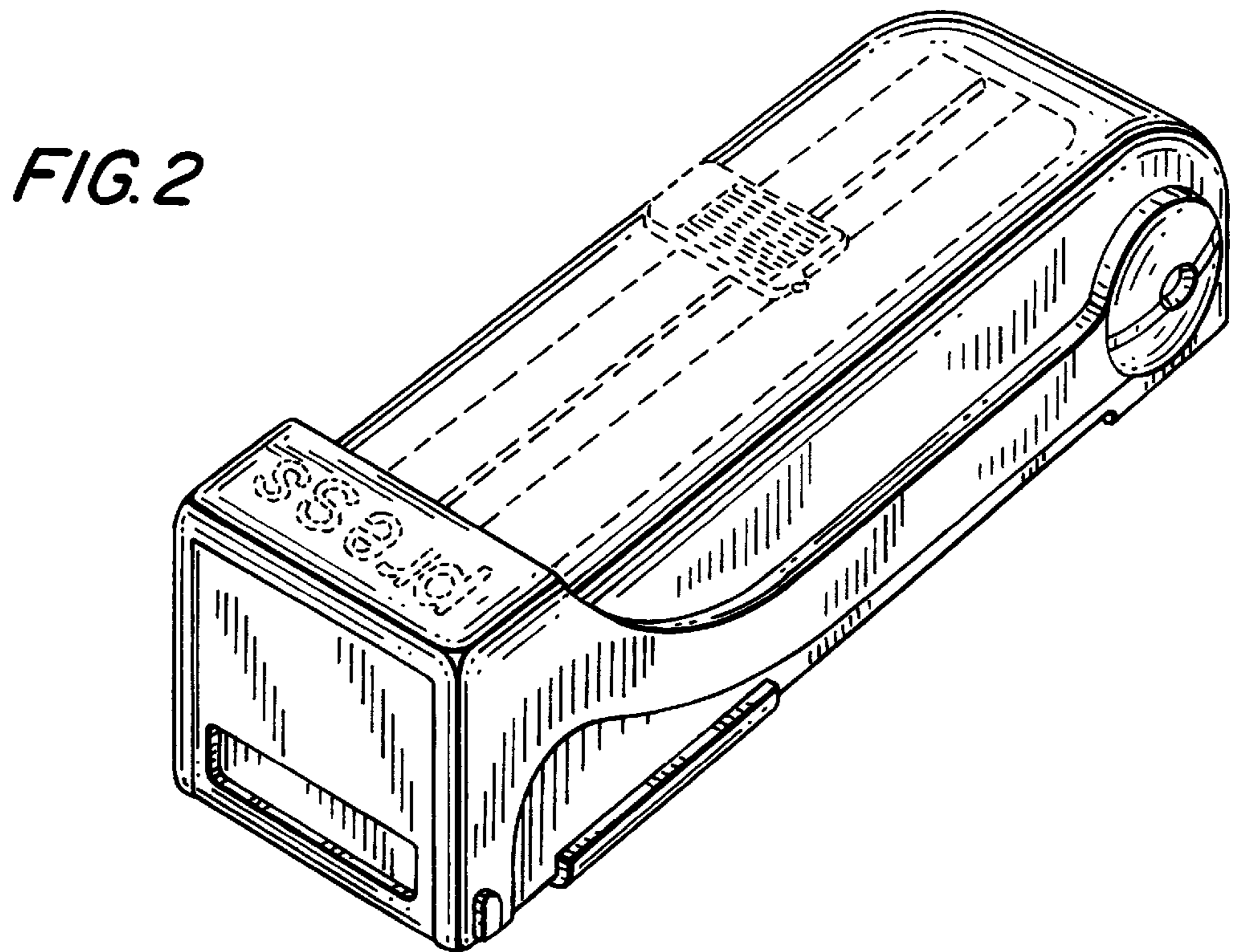
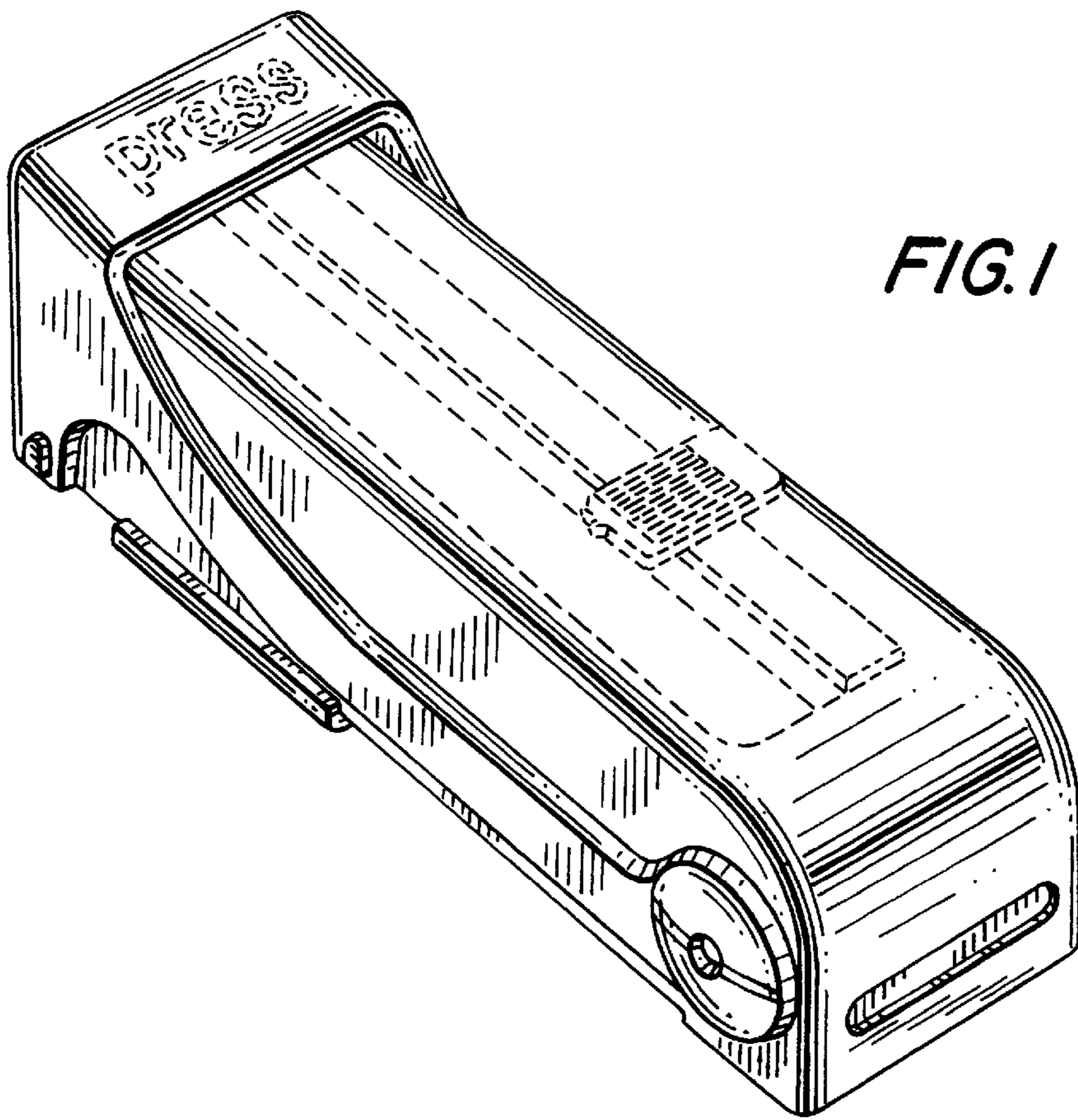


FIG. 3

