



US00D443799S

(12) **United States Design Patent**
Stuchlik, III

(10) **Patent No.:** **US D443,799 S**

(45) **Date of Patent:** **** Jun. 19, 2001**

(54) **KNIFE HOLDER**

FOREIGN PATENT DOCUMENTS

(76) Inventor: **Charles F. Stuchlik, III**, 38175 S.
Mountain Site Dr., Saddlebrook,
Tucson, AZ (US) 85739

418 460 A1 3/1991 (EP) .

(**) Term: **14 Years**

OTHER PUBLICATIONS

(21) Appl. No.: **29/127,356**

“Introducing Rack-the-Knife. The Latest Way to Make Money Over the Counter” H.F.D., Mar. 11, 1985, p. 61.

(22) Filed: **Aug. 1, 2000**

“Rack-the-Knife”, H.F.D., Mar. 25, 1985, p. 173.

(51) **LOC (7) Cl.** **07-99**

“Super Sharp Ekco Forge Cutler Sets with Unique Hardware Holder”, Woodward & Lothrop, Jun. 17, 1978.

(52) **U.S. Cl.** **D7/637**

* cited by examiner

(58) **Field of Search** D7/637-641; 211/60.1,
211/70.6, 70.7; 248/37.3

Primary Examiner—Antoine Duval Davis

(74) *Attorney, Agent, or Firm*—Oliff & Berridge PLC

(56) **References Cited**

(57) **CLAIM**

The ornamental design for a knife holder, as shown and described.

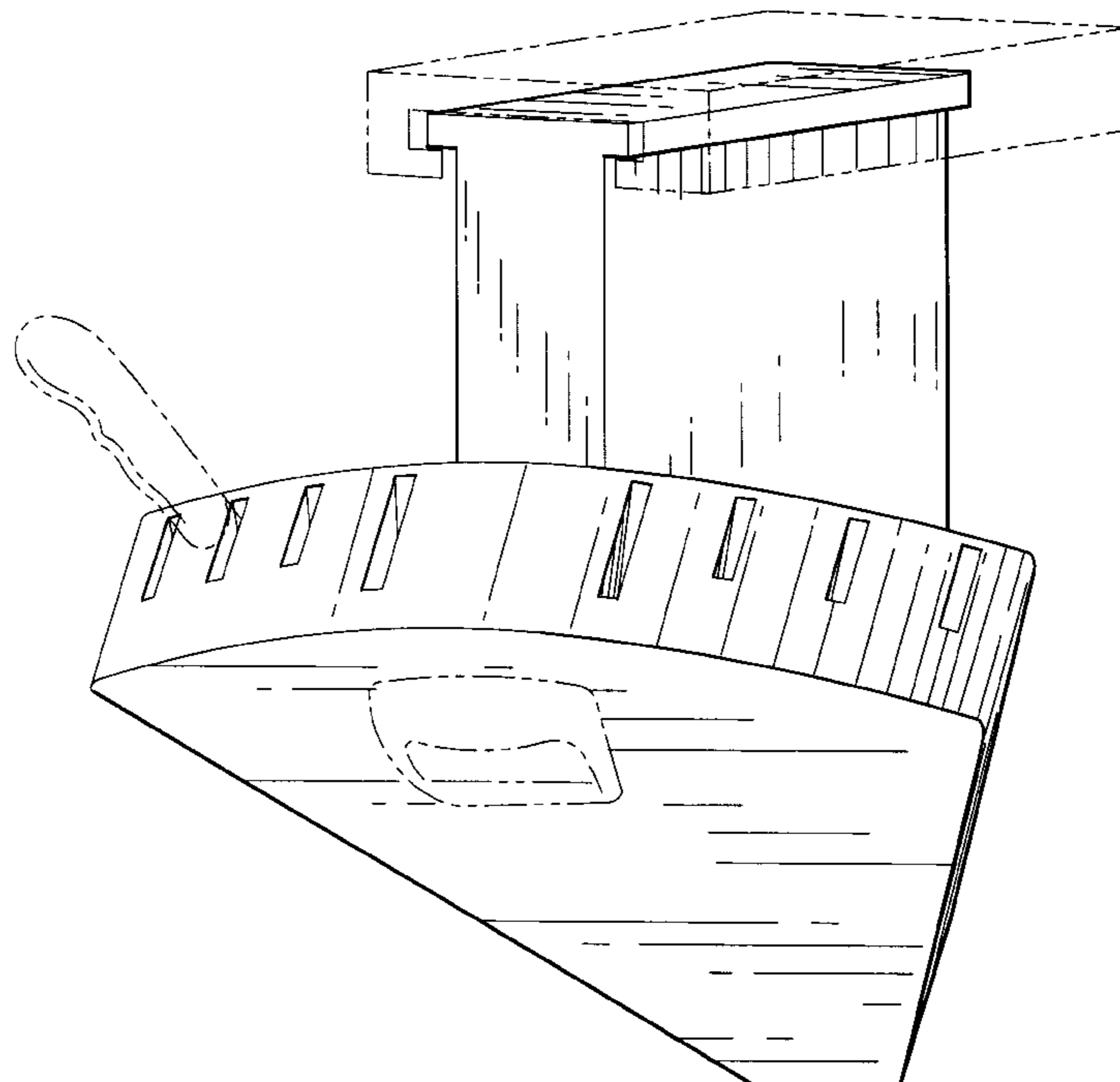
U.S. PATENT DOCUMENTS

DESCRIPTION

D. 56,229	8/1920	Gaertner .	
D. 148,283	1/1948	Case .	
D. 165,894	2/1952	Adler .	
D. 169,077 *	3/1953	Mains, Jr.	211/60.1
D. 259,321	5/1981	Sparger .	
D. 266,136	9/1982	Peabody et al. .	
D. 292,359	10/1987	Daw .	
D. 366,990	2/1996	Cheung .	
D. 405,656	2/1999	Davis et al. .	
862,841	8/1907	Newport .	
926,852	7/1909	Catlin .	
2,453,800	11/1948	Lowell, Jr. .	
2,604,997	7/1952	Pearson .	
3,846,005	11/1974	Harper et al. .	
5,494,176	2/1996	Zallo .	
5,655,672	8/1997	Stuchlik, III .	
6,027,081	2/2000	Rosenberg .	

FIG. 1 is a front view of the knife holder;
 FIG. 2 is a rear view thereof;
 FIG. 3 is a right side view thereof;
 FIG. 4 is a left side view thereof;
 FIG. 5 is a top view thereof;
 FIG. 6 is a bottom view thereof; and,
 FIG. 7 is a perspective view thereof showing the knife holder with a knife held therein, and the knife holder being slidably mounted on an under-the-counter bracket and having a handle for pulling the knife holder from under the counter.
 The broken line showing in FIG. 7 of the bracket, knife and handle forms no part of the claimed design.

1 Claim, 7 Drawing Sheets



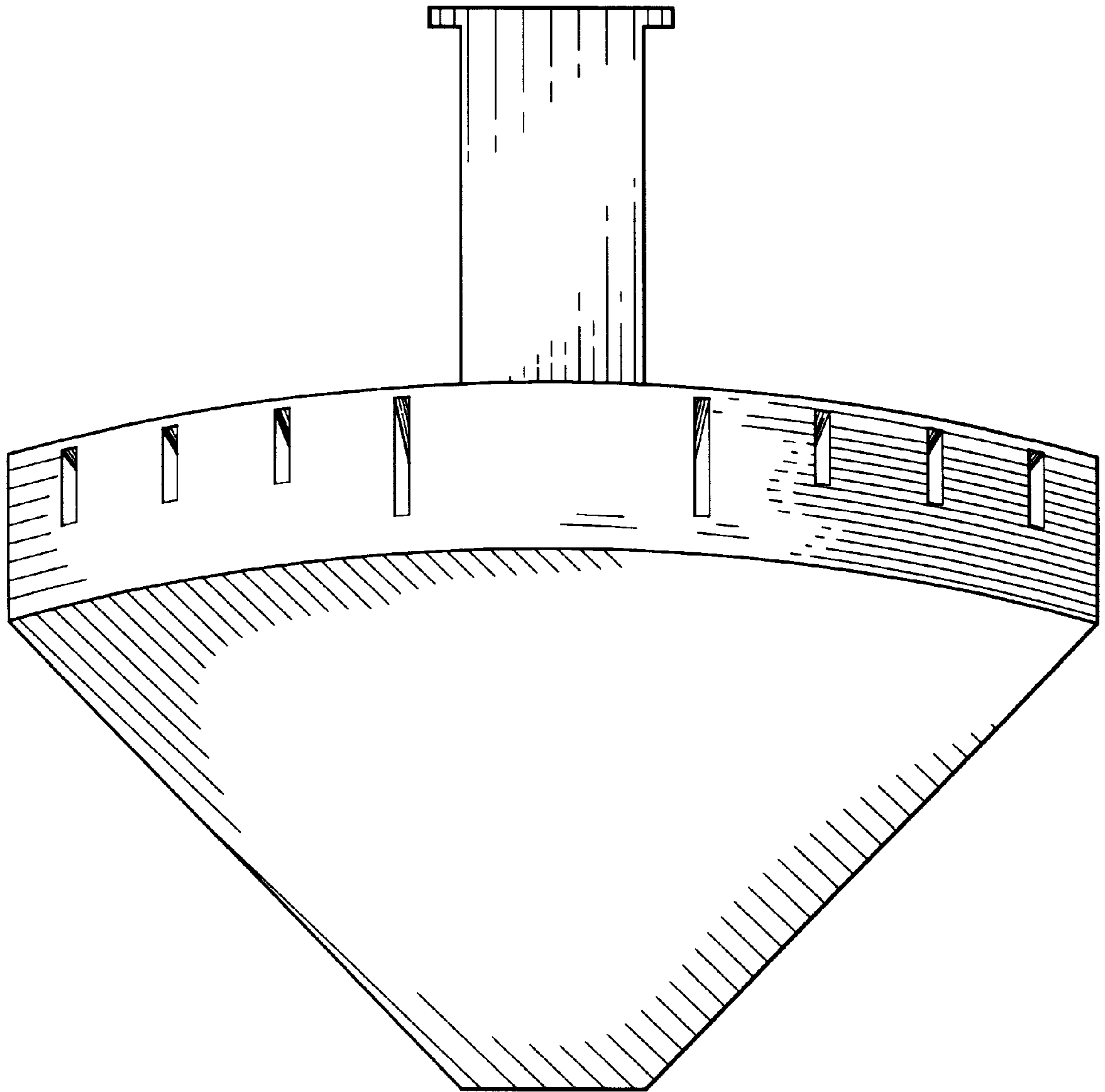


Fig. 1

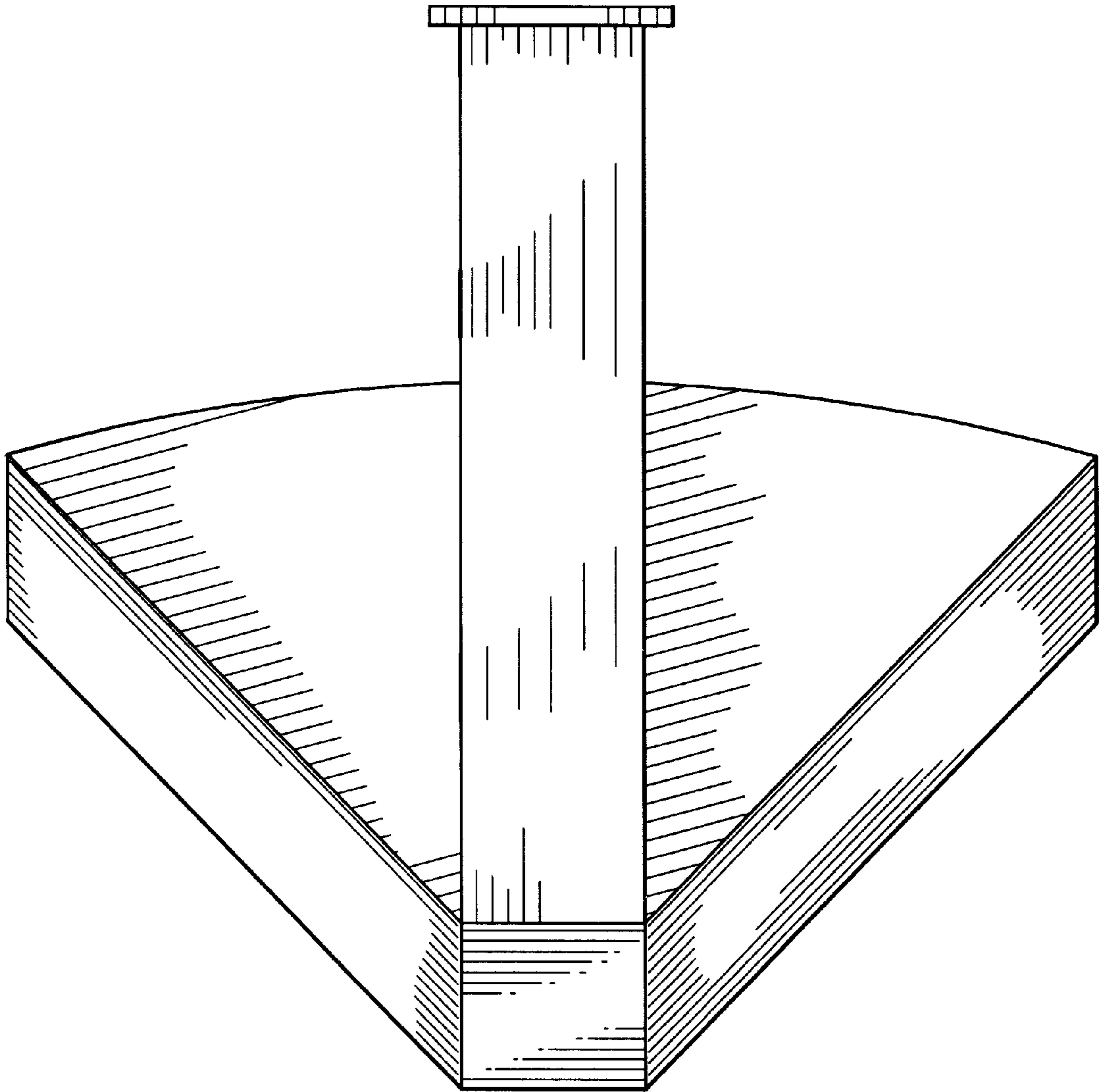


Fig. 2

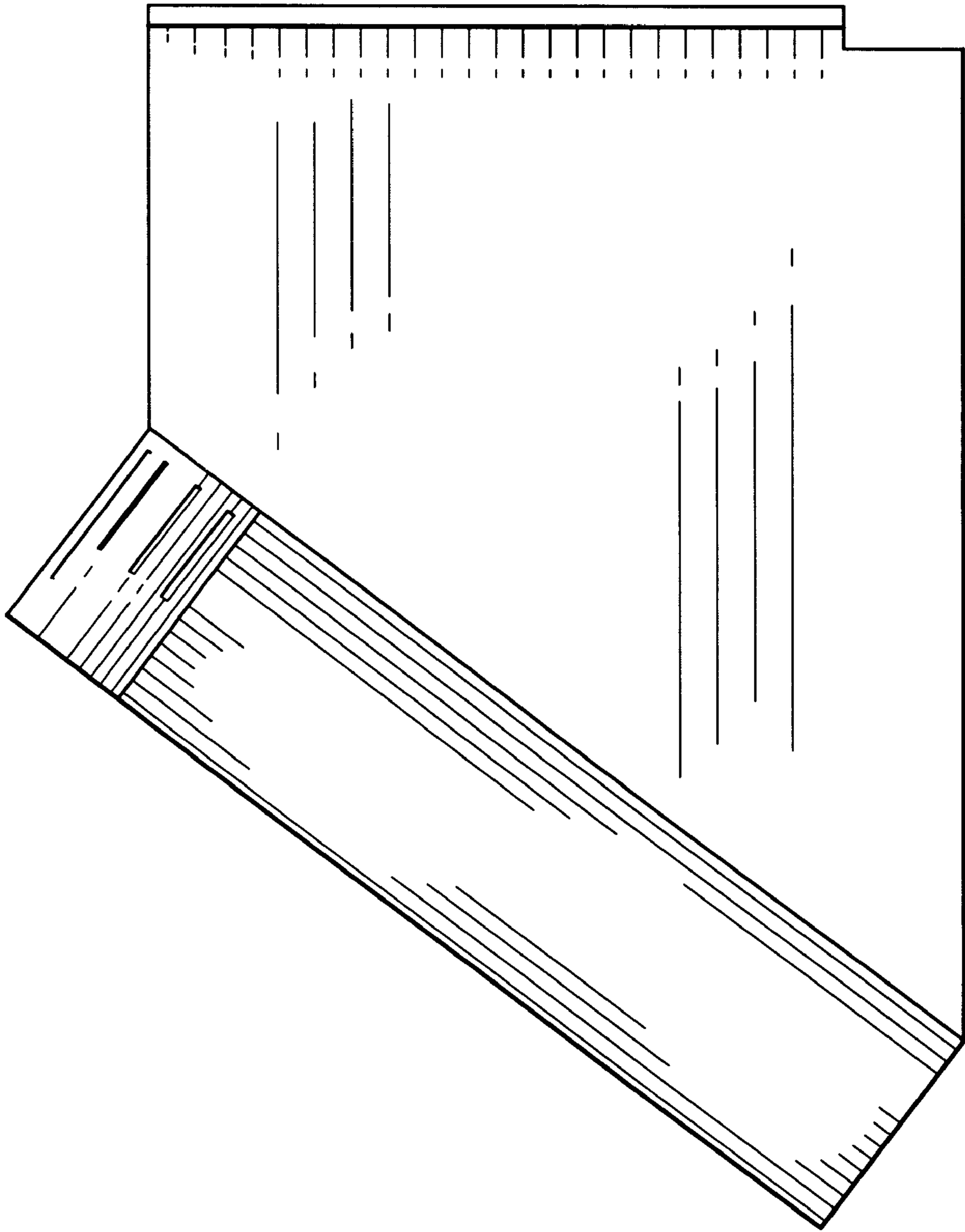


Fig. 3

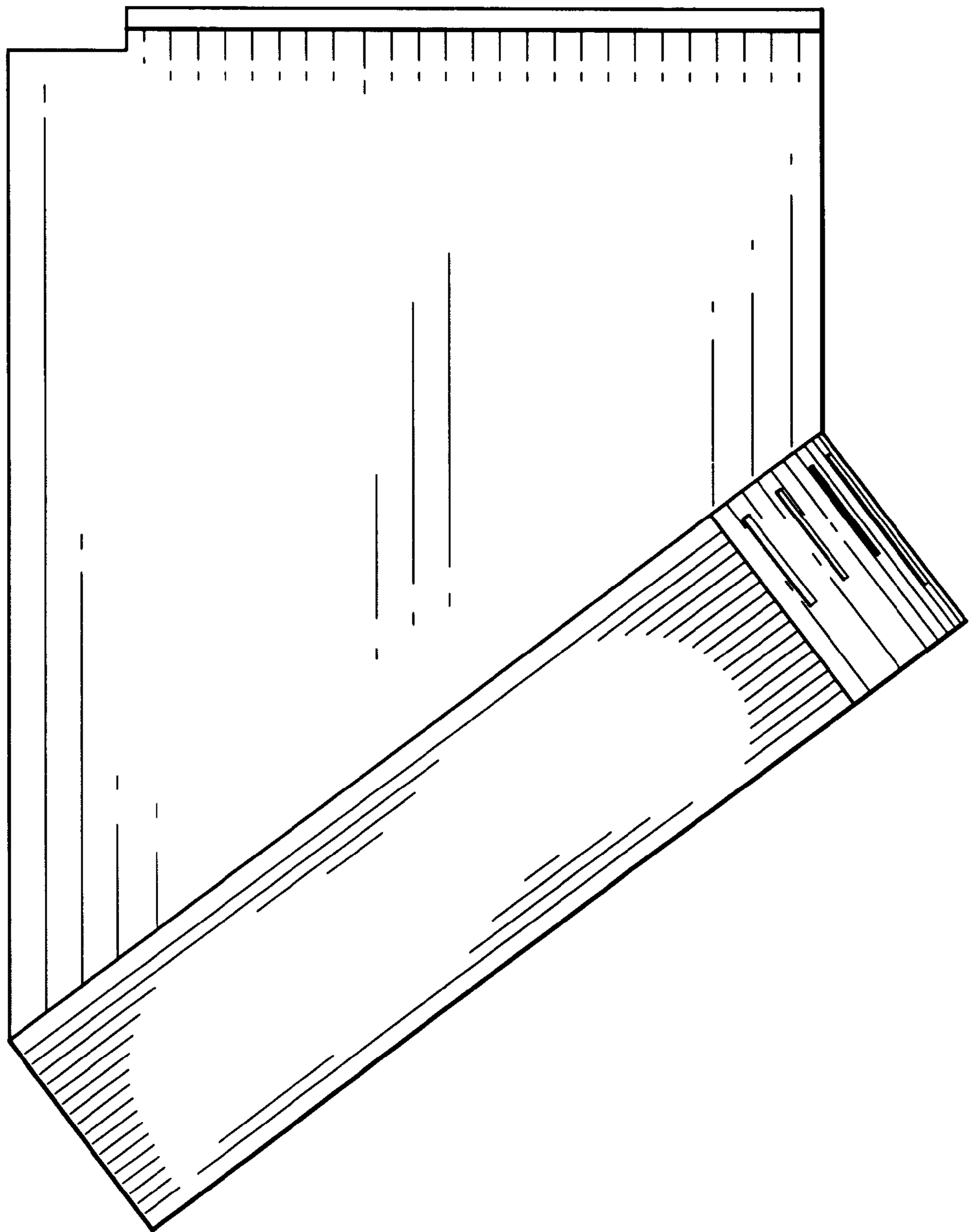


Fig. 4

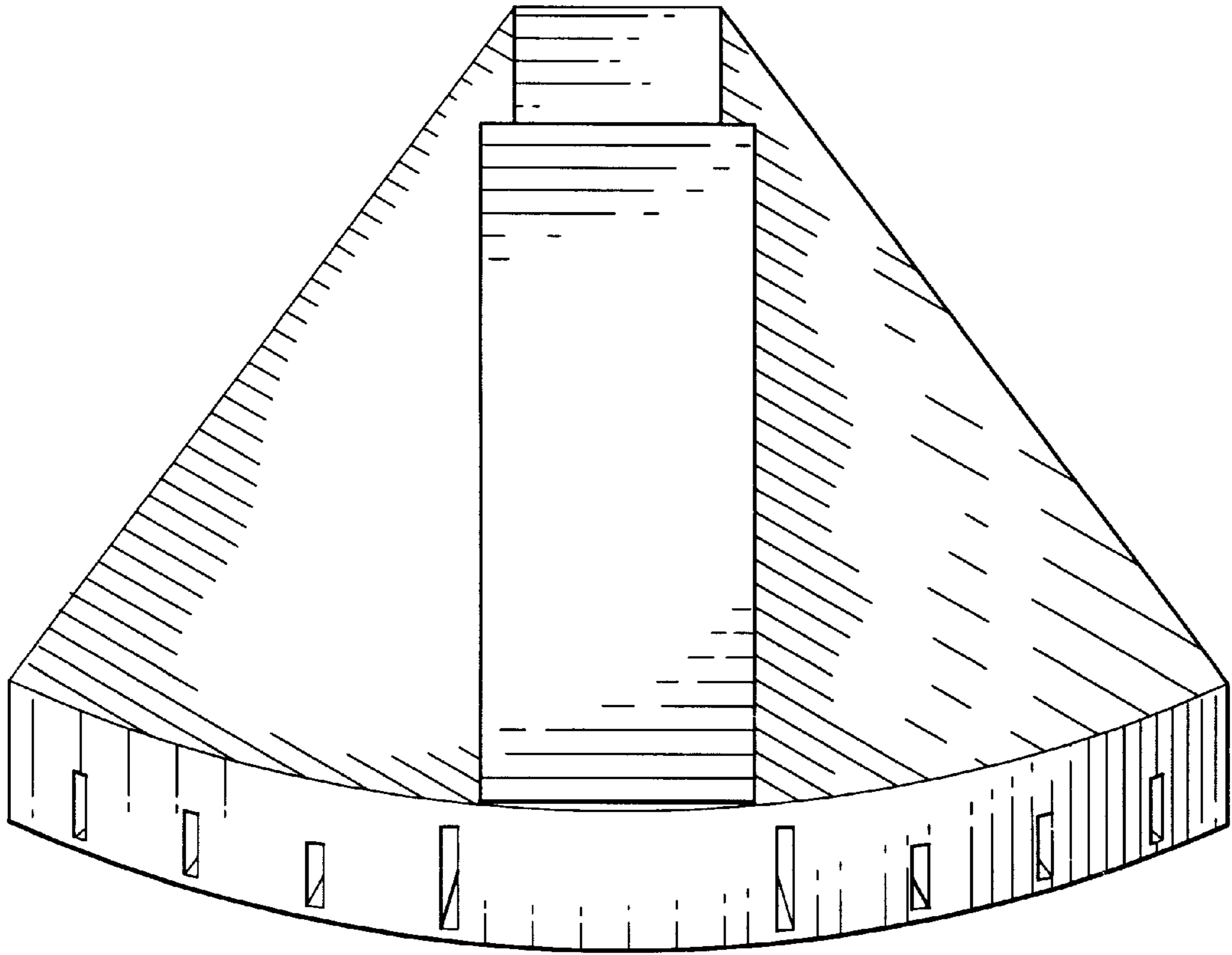


Fig. 5

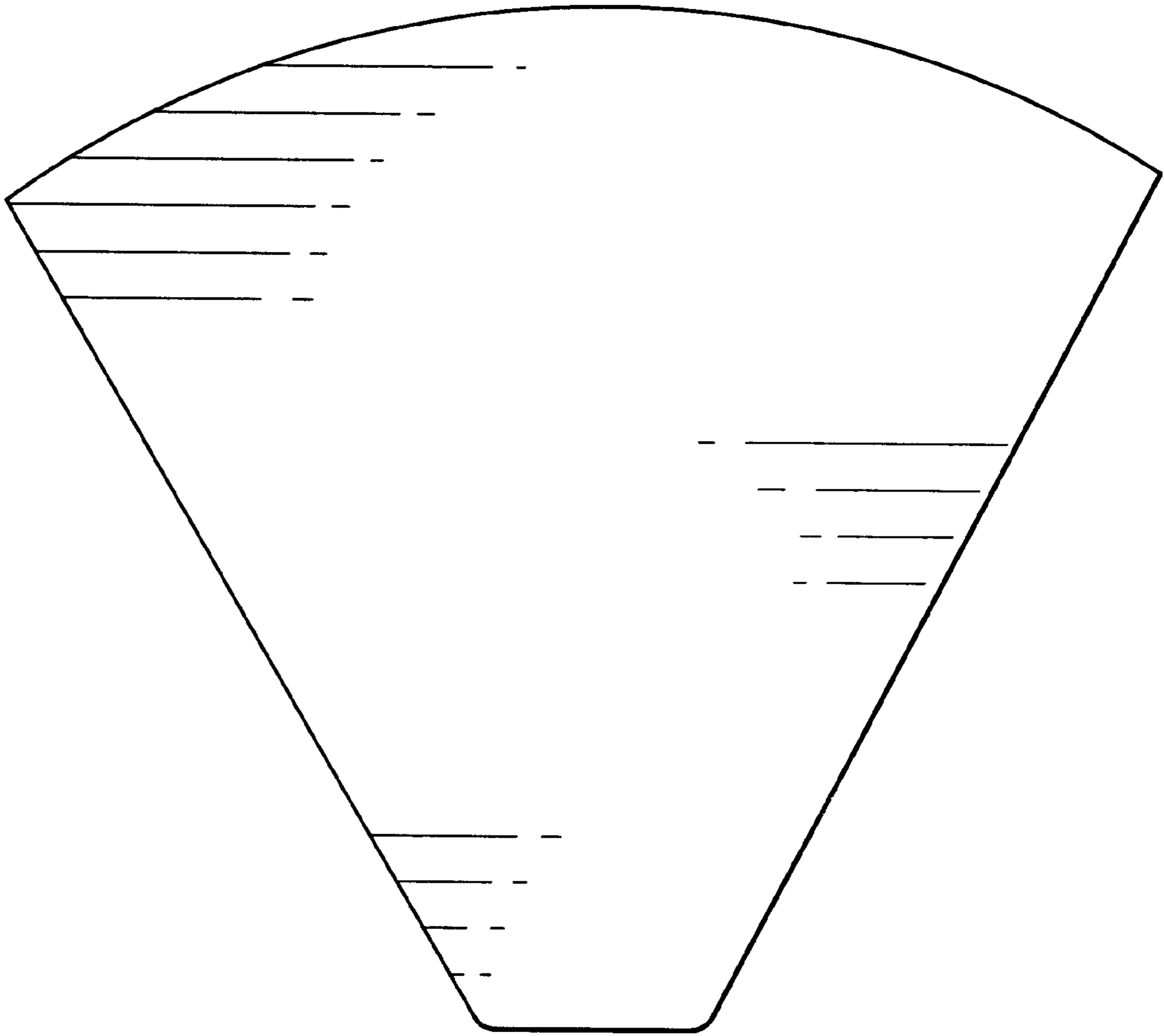


Fig. 6

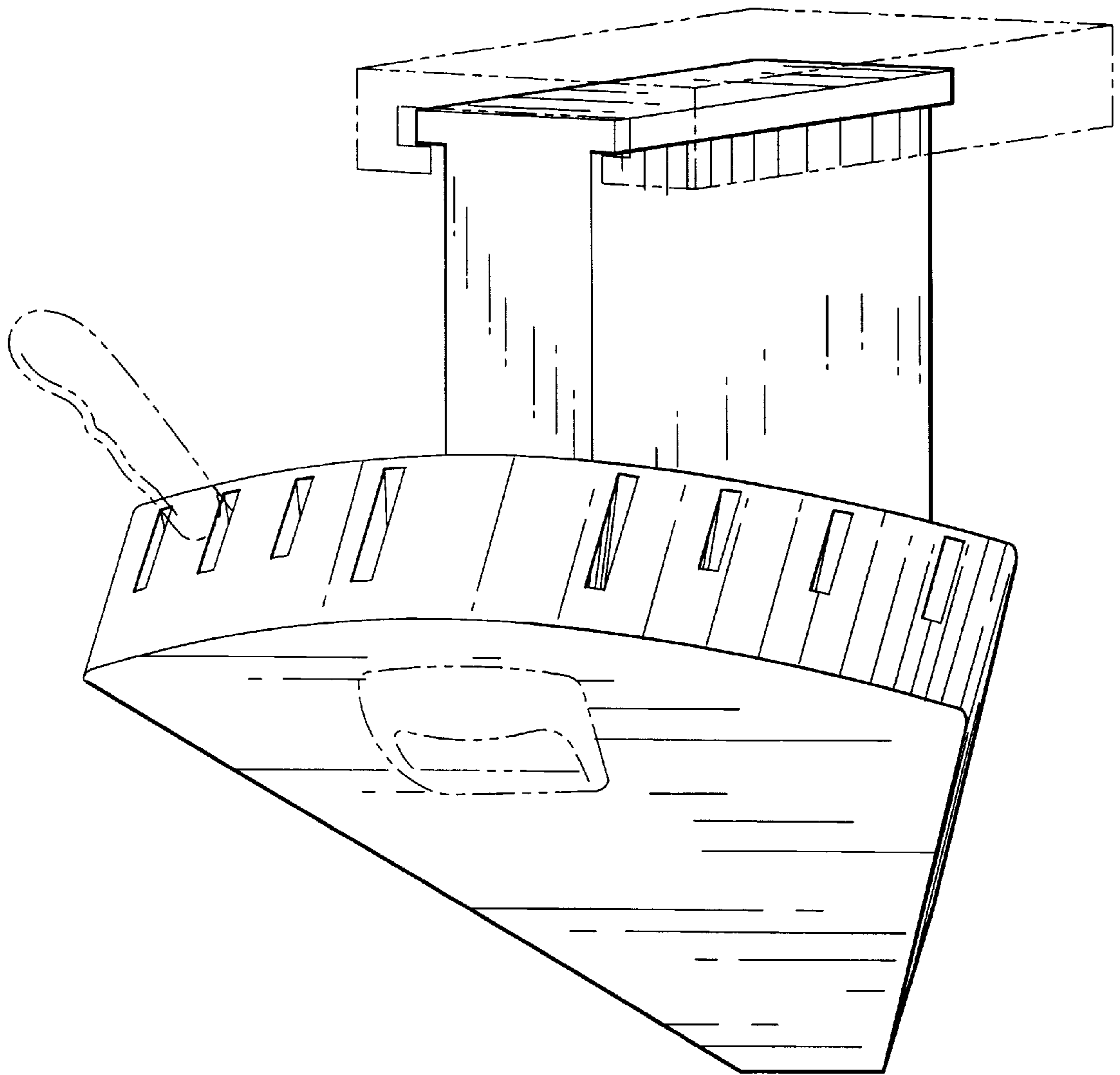


Fig. 7