



US00D443794S

(12) **United States Design Patent**  
**Garber et al.**

(10) **Patent No.: US D443,794 S**

(45) **Date of Patent: \*\* Jun. 19, 2001**

(54) **SKILLET**  
  
(75) Inventors: **Alan M. Garber; Stacey R. Just**, both of Richmond; **Lawrence M. Pillion**, Glen Allen, all of VA (US); **Phillip L. Brookshire; David L. Slayton**, both of Cincinnati, OH (US)

2,978,564	4/1961	Blanding et al. ....	219/448.17
3,681,568	8/1972	Schaefer .....	219/432
4,013,869	3/1977	Orts .....	219/401
4,210,072	7/1980	Pedrini .....	99/340
4,544,818	10/1985	Minamida .....	219/621
5,656,188	8/1997	Janowiak et al. ....	99/340 X

(73) Assignee: **Hamilton Beach/Proctor-Silex, Inc.**, Glen Allen, VA (US)

**FOREIGN PATENT DOCUMENTS**

604652 12/1975 (CH) .

(\*\*) Term: **14 Years**

**OTHER PUBLICATIONS**

(21) Appl. No.: **29/129,027**

Good Housekeeping, Dec. 1973, p. 136, "Table Range", by Corning.

(22) Filed: **Sep. 5, 2000**

House and Garden, May 1973, "Lazy Day Slo-Cooker", by West Bend.

**Related U.S. Application Data**

See Information Disclosure Statement regarding offer for sale less than one year before filing of the parent application. Front and rear covers and pp. 250-253 of "96-97 Jewelry, Gift and Home Catalog" published by Service Merchandise Co., Inc.

(62) Division of application No. 29/100,918, filed on Feb. 22, 1999, now Pat. No. Des. 430,454.

Front and rear cover and pp. 200 & 201 of "General Merchandise Catalog 1990/1991" published by Best Products Co., Inc.

(51) **LOC (7) Cl.** ..... **07-02**

(52) **U.S. Cl.** ..... **D7/360**

(58) **Field of Search** ..... D7/323, 354-361; 99/331, 336, 385, 403, 410, 411, 413; 219/429, 432, 438, 440

\* cited by examiner

(56) **References Cited**

*Primary Examiner*—Caron D. Veynar  
(74) *Attorney, Agent, or Firm*—Roger S. Dybvig

**U.S. PATENT DOCUMENTS**

(57) **CLAIM**

D. 221,095	*	7/1971	Tevolitz .....	D7/360
D. 230,935		3/1974	Lloveras .....	D7/360
D. 247,946		5/1978	Painter et al. ....	D7/360
D. 250,626		12/1978	Scott .....	D7/360
D. 270,990	*	10/1983	Bowen et al. ....	D7/360
D. 305,086	*	12/1989	Stewart .....	D7/545
D. 305,393	*	1/1990	Stewart .....	D7/360
D. 340,614	*	10/1993	Kaeding .....	D7/360
D. 380,341		7/1997	Naft et al. ....	D7/354
D. 381,242		7/1997	Rossiaud .....	D7/360
D. 386,647	*	11/1997	Ho .....	D7/360
D. 412,263		7/1999	Jozancy .....	D7/354
D. 430,454	*	9/2000	Garber et al. ....	D7/354
907,154		12/1908	Lewis .....	126/376
2,253,927		8/1941	Butler et al. ....	165/63
2,605,382		7/1952	Kircher et al. ....	219/433

The ornamental design for a skillet, as shown.

**DESCRIPTION**

FIG. 1 is a perspective view as seen from the top, front and left side of the skillet showing my new design;  
FIG. 2 is a front elevational view thereof, the rear elevational view being a mirror image of the front elevational view;  
FIG. 3 is a right side elevational view thereof, the left side elevational view being a mirror image of the right side elevational view;  
FIG. 4 is a top plan view thereof; and,  
FIG. 5 is a bottom plan view thereof.

**1 Claim, 1 Drawing Sheet**

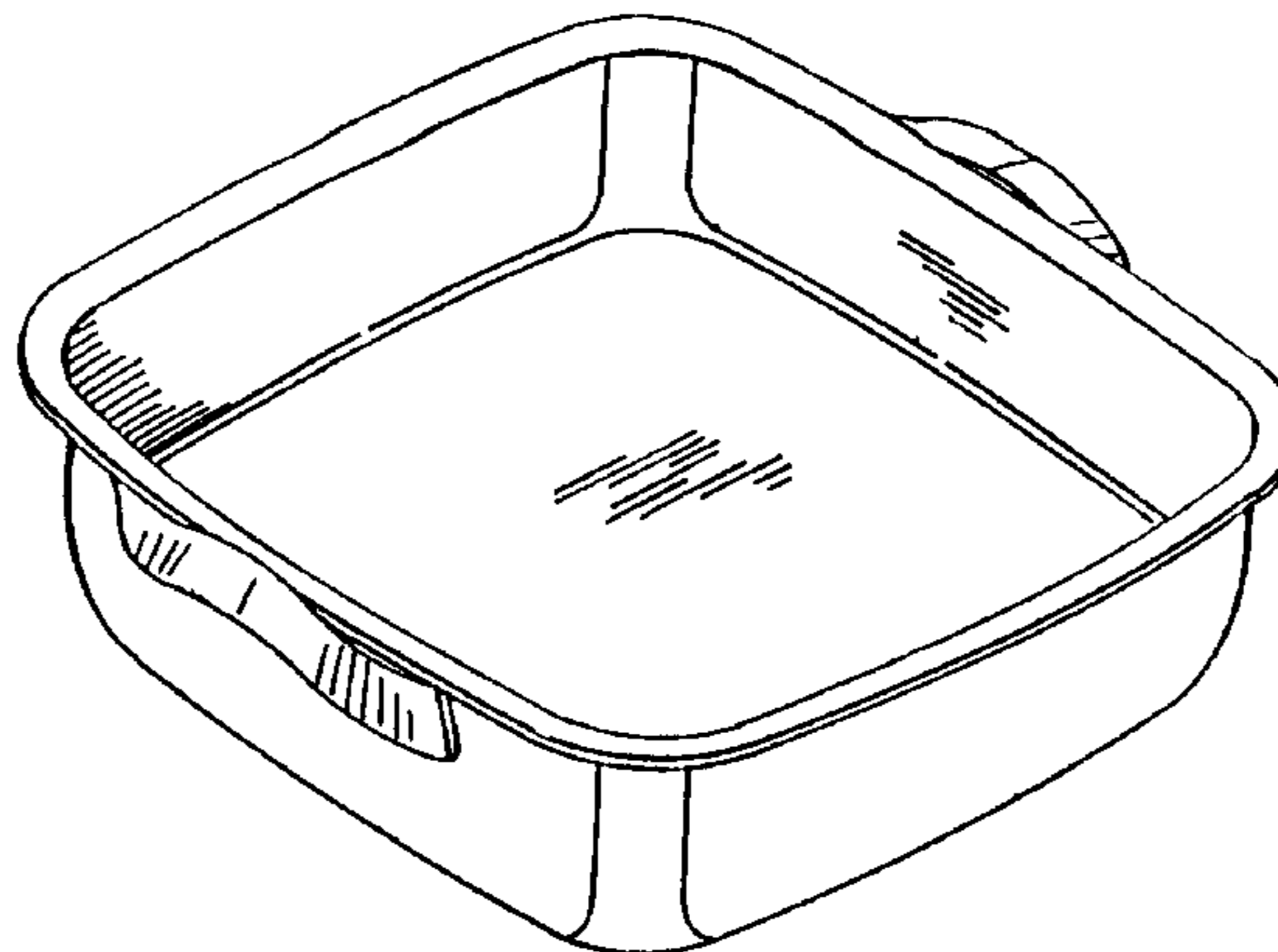


FIG-1

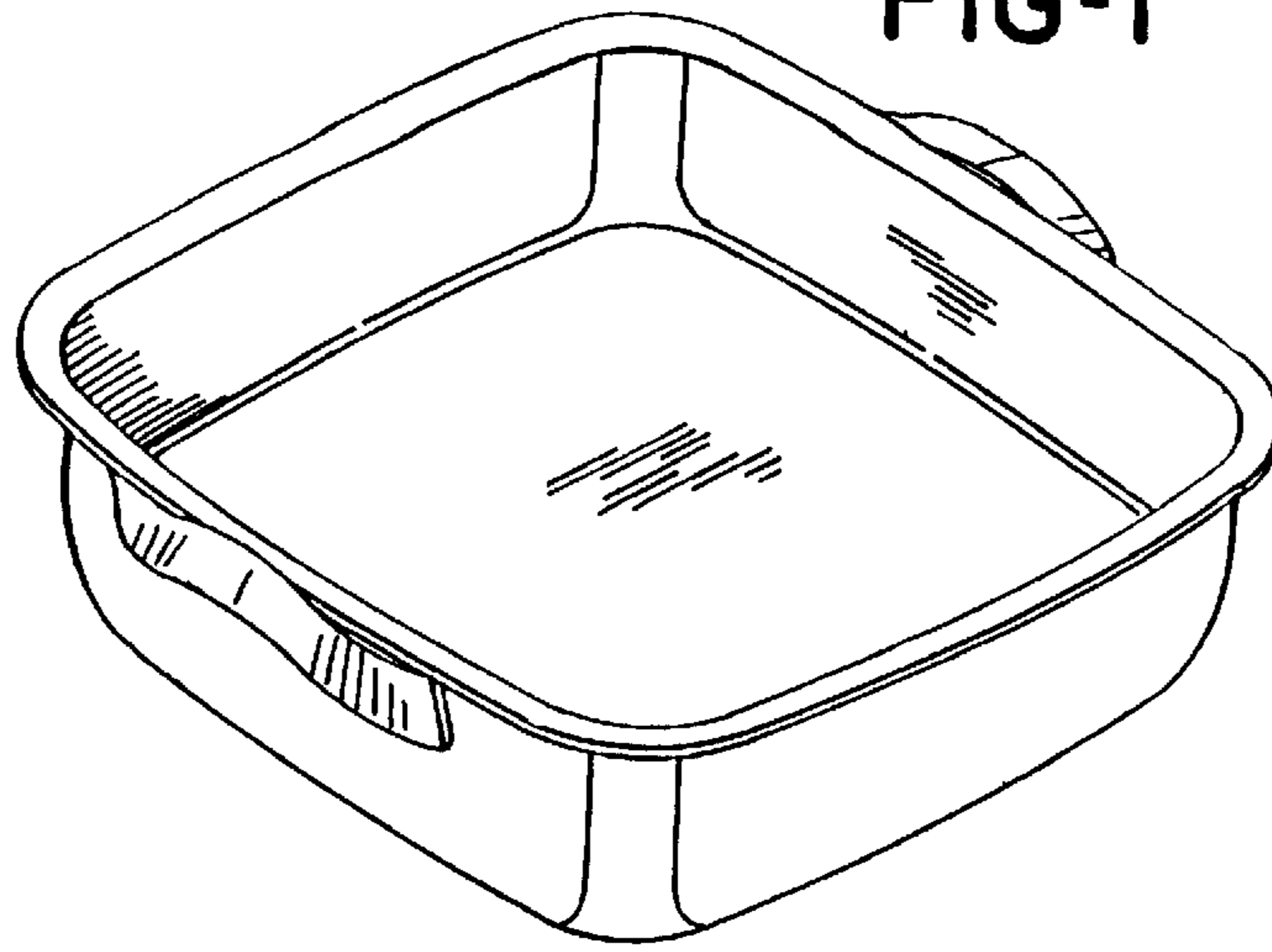


FIG-2

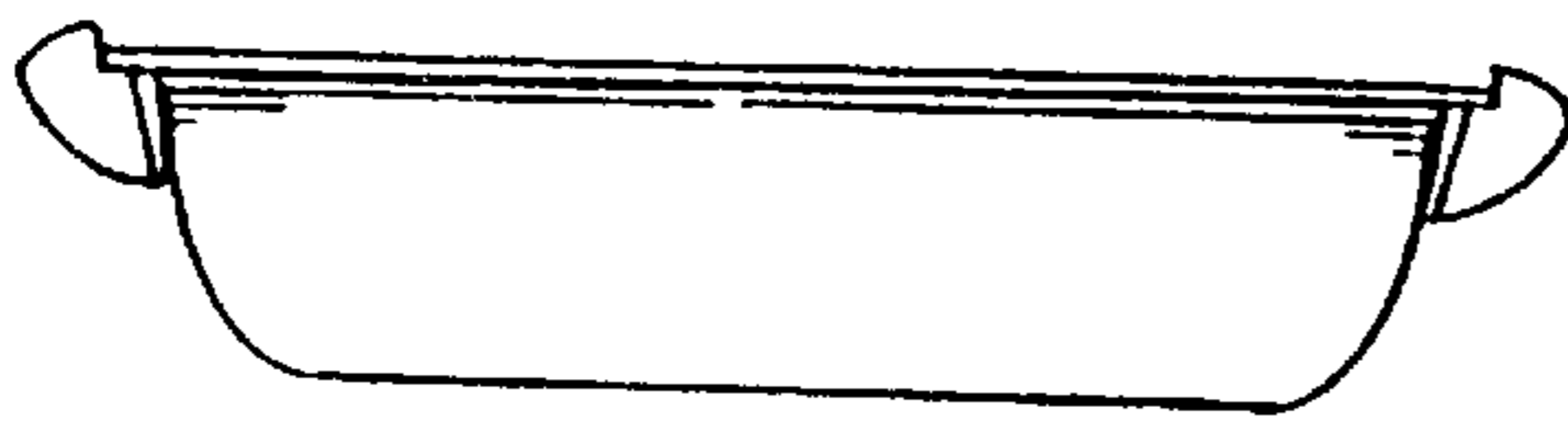


FIG-3

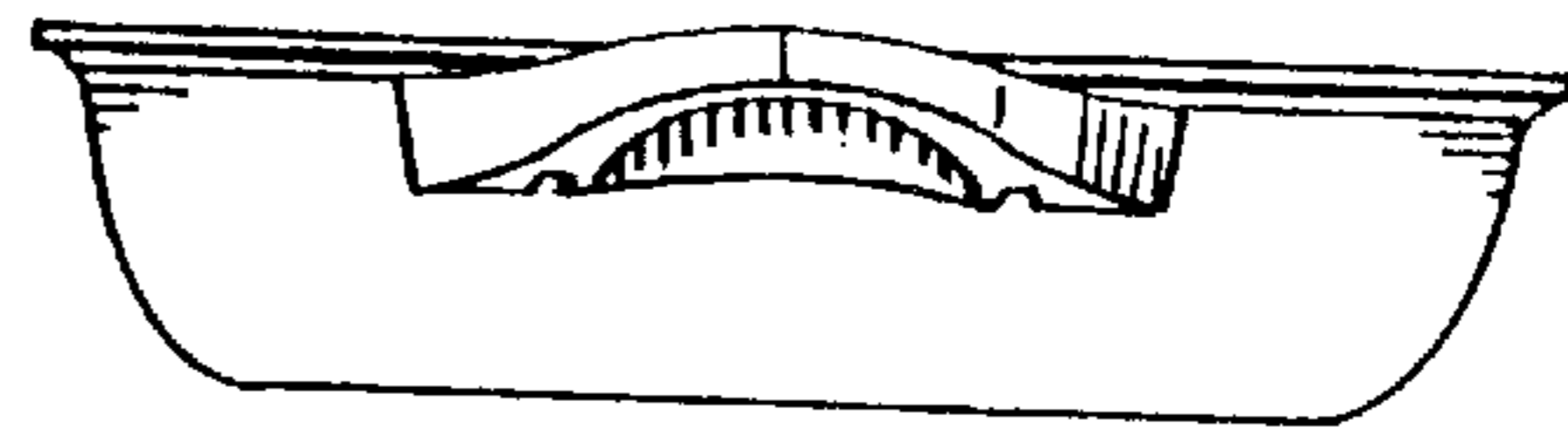


FIG-4

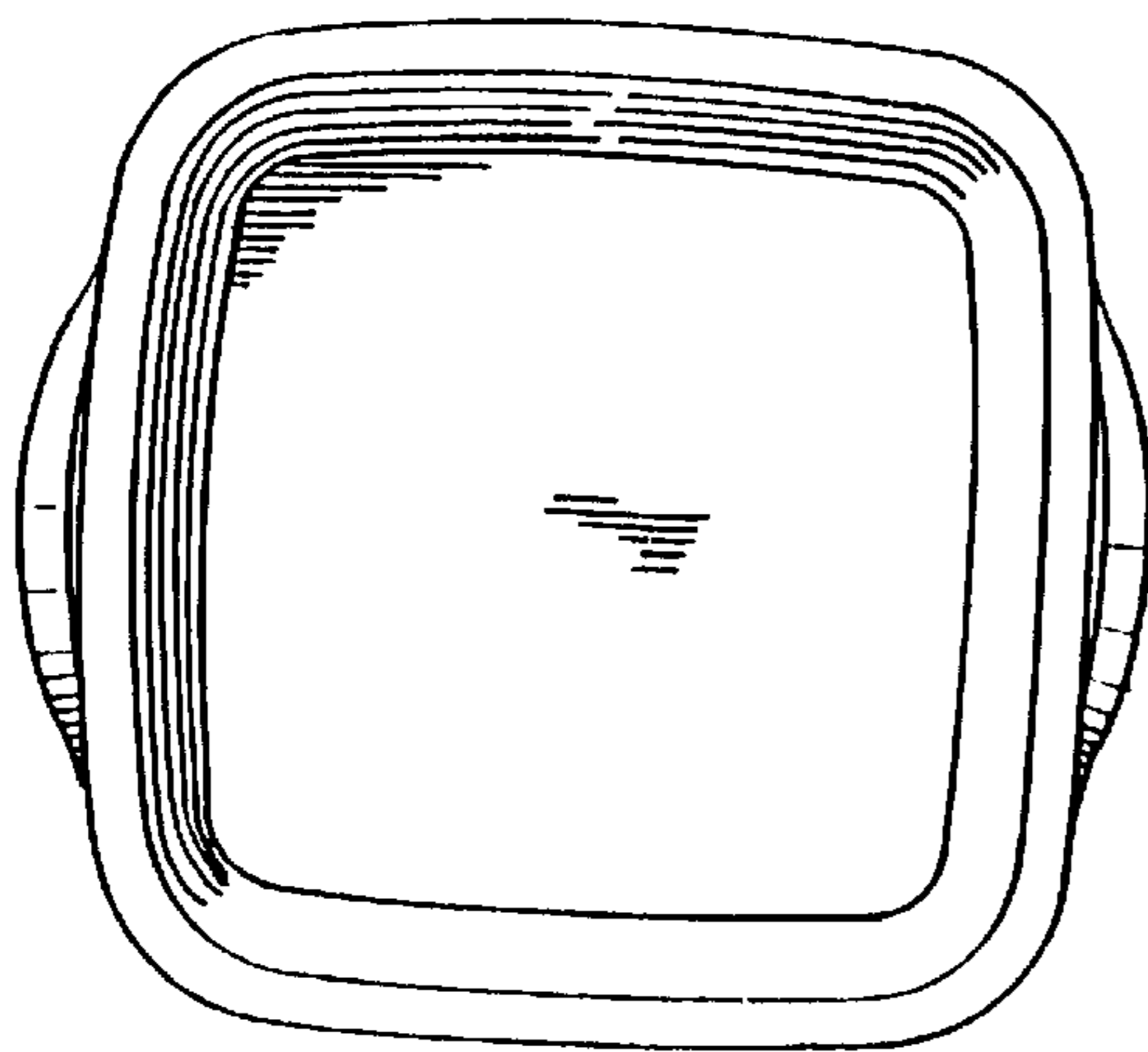


FIG-5

