



US00D443793S

(12) **United States Design Patent**  
**Ethridge**

(10) **Patent No.:** **US D443,793 S**

(45) **Date of Patent:** **\*\* Jun. 19, 2001**

(54) **BBQ GRILL WITH GOLF MOTIF**

(76) **Inventor:** **James Richard Ethridge, 27355**  
Glenmeadows Dr., Lake Forest, CA  
(US) 92630

(\*\*) **Term:** **14 Years**

(21) **Appl. No.:** **29/099,930**

(22) **Filed:** **Feb. 1, 1999**

(51) **LOC (7) Cl.** ..... **07-02**

(52) **U.S. Cl.** ..... **D7/332**

(58) **Field of Search** ..... D7/332-337, 402;  
D21/610, 654, 708, 709, 712, 714, 533,  
548, 549, 580; D11/157-158, 163; 126/25 R,  
25 A, 25 AA, 29-30, 9 R, 39 R; 99/419,  
421 R; 446/268, 431, 465, 470; 473/351,  
355, 356, 365, 378-385

(56) **References Cited**

**U.S. PATENT DOCUMENTS**

- D. 268,008 \* 2/1983 Witt, Jr. .... D9/307
- D. 284,658 \* 7/1986 Hazlett ..... D14/143
- D. 314,882 \* 2/1991 Bethel, Jr. .... D7/334
- D. 358,324 \* 5/1995 Mitchell ..... D9/307
- D. 373,282 \* 9/1996 Cordero ..... D7/334
- D. 387,816 \* 12/1997 Krull ..... D21/406
- D. 396,599 \* 8/1998 Smith, Jr. .... D7/332

- D. 401,648 \* 11/1998 Kasasima et al. .... D21/709
- D. 418,004 \* 12/1999 Taylor, Jr. .... D7/332
- D. 418,359 \* 1/2000 Taylor, Jr. .... D7/332
- 4,653,758 \* 3/1987 Solheim ..... 473/377
- 4,660,834 \* 4/1987 Carrigan ..... 473/165
- 5,556,342 \* 9/1996 Berberian ..... 473/125

\* cited by examiner

*Primary Examiner*—Ruth McInroy

(74) *Attorney, Agent, or Firm*—Edgar W. Averill, Jr.

(57) **CLAIM**

The ornamental design for BBQ grill with golf motif, as shown and described.

**DESCRIPTION**

FIG. 1 is a back view of the BBQ grill with a golf motif showing my new design;

FIG. 2 is a front view thereof;

FIG. 3 is a left side view thereof with the cover partially open;

FIG. 4 is a left side view thereof;

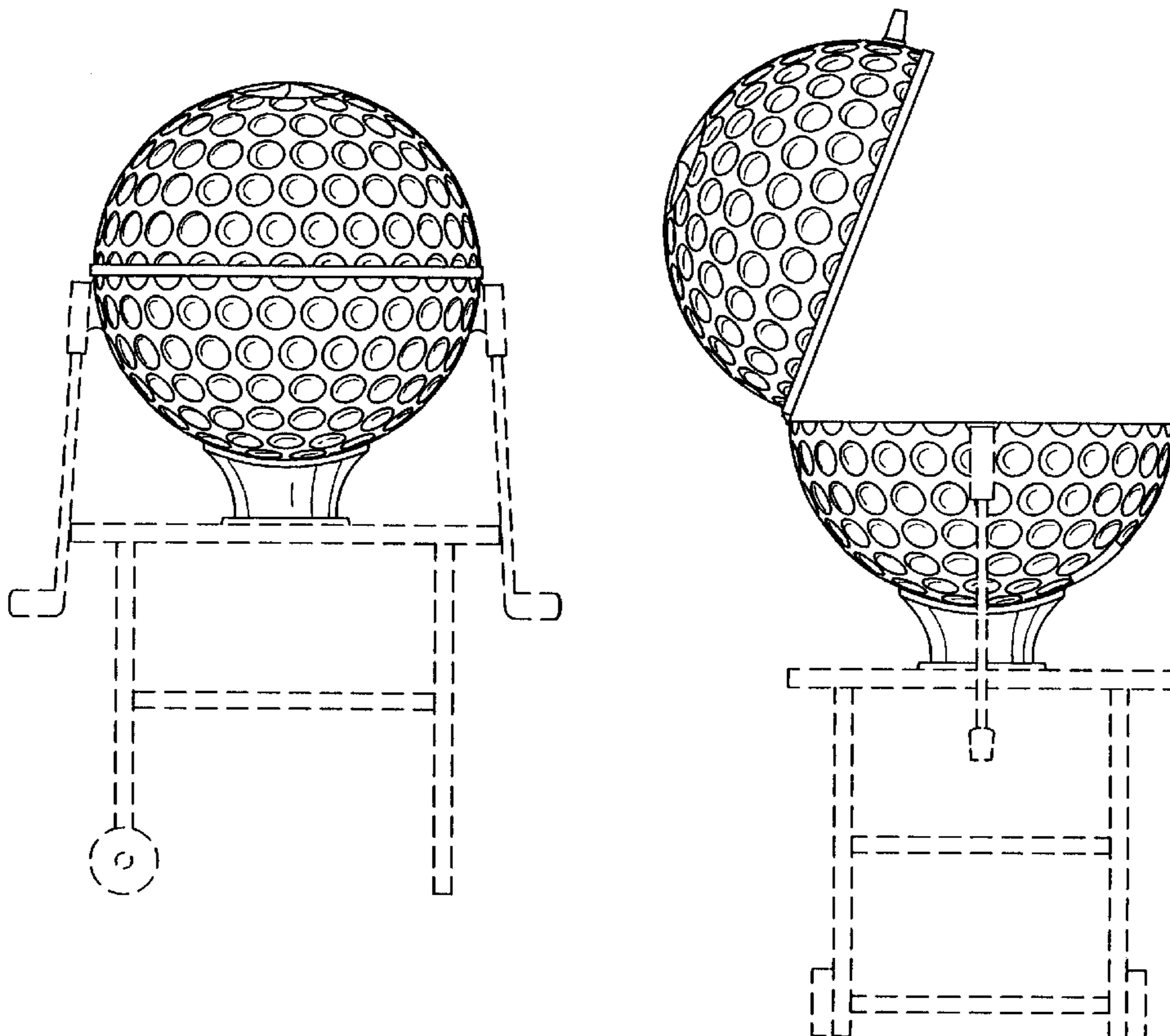
FIG. 5 is a right side view thereof;

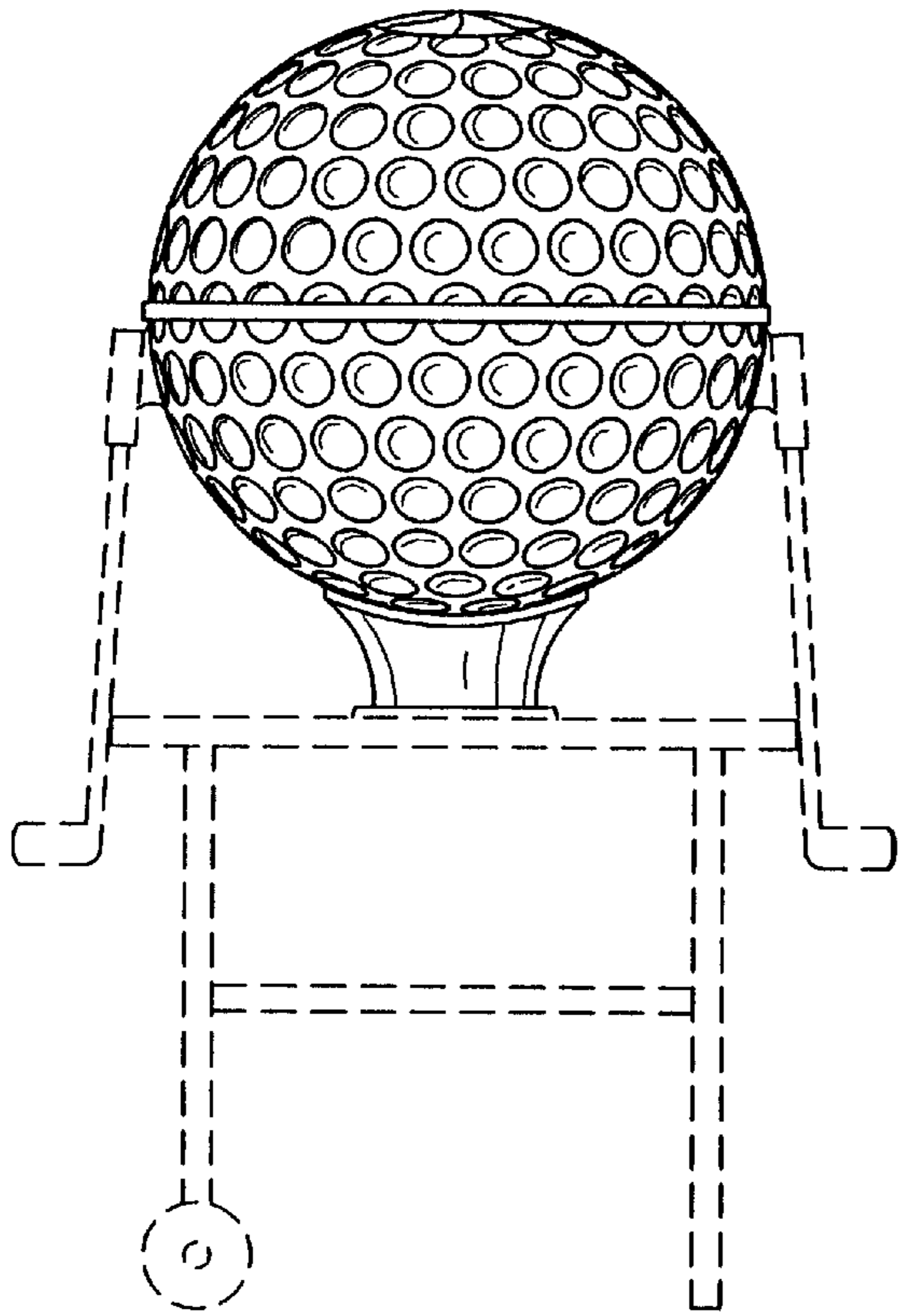
FIG. 6 is a top view thereof; and,

FIG. 7 is a bottom view thereof.

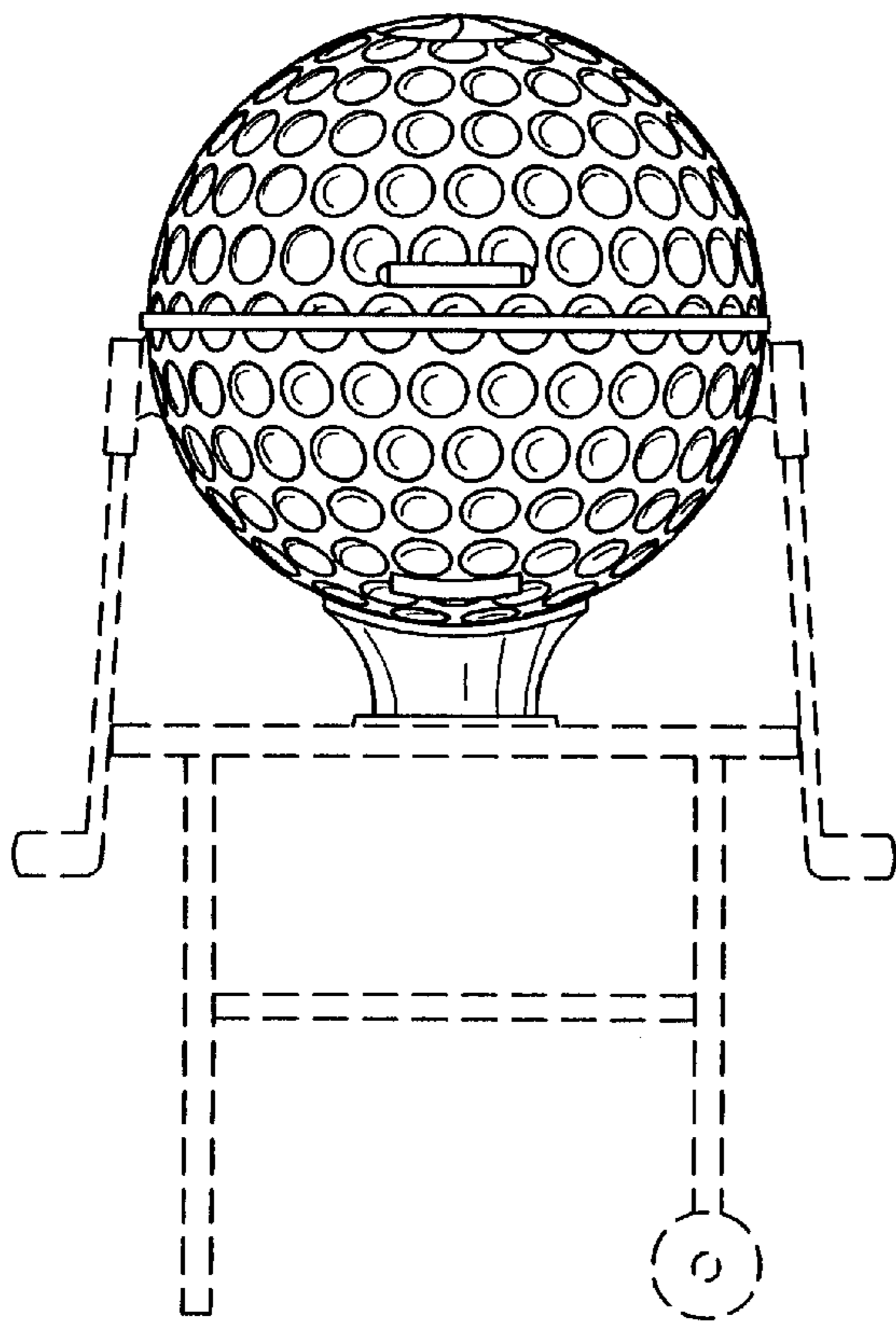
The details shown in broken lines in all view are for illustrative purposes only and form no part of the claimed design.

**1 Claim, 2 Drawing Sheets**

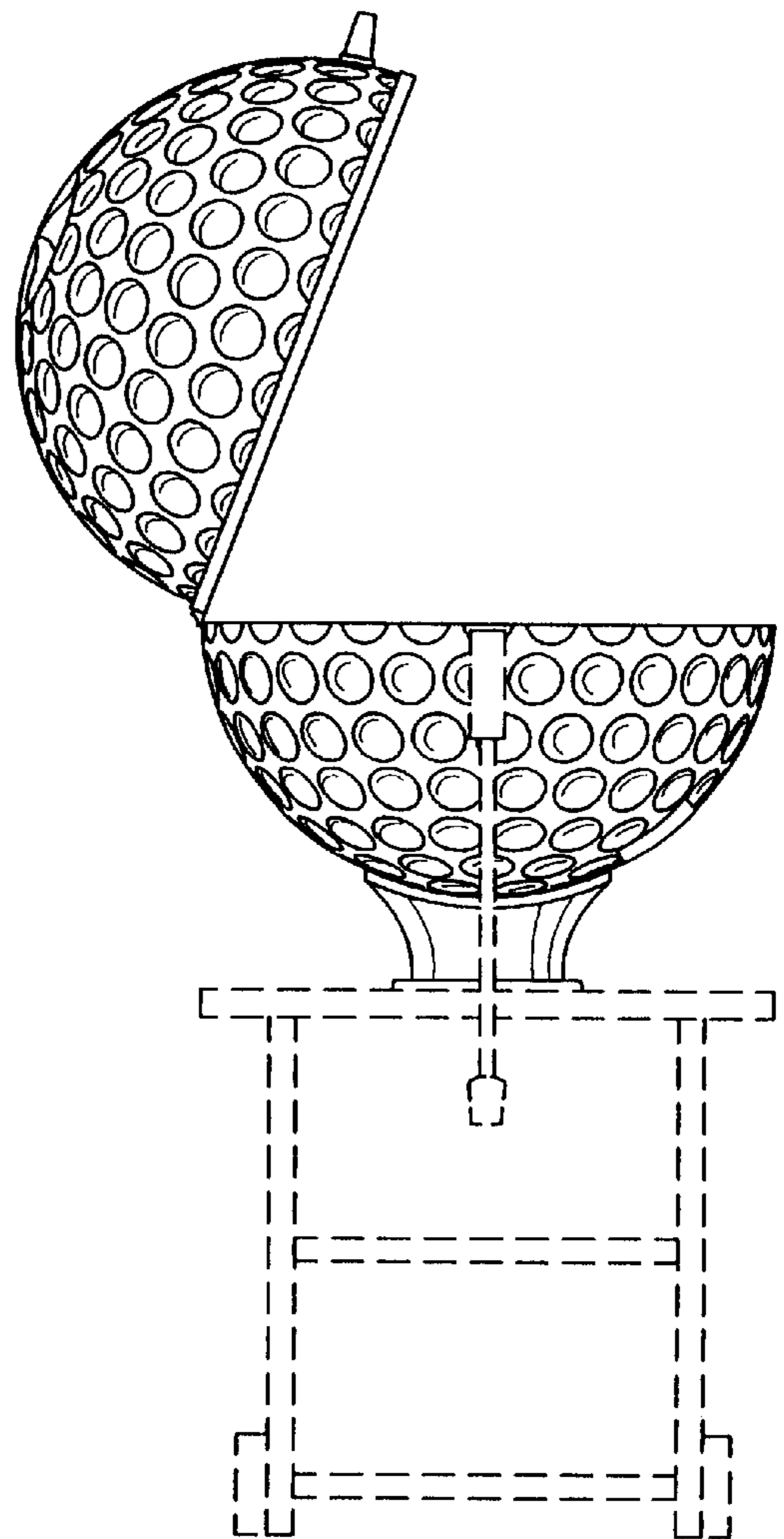




*FIG. 1*



*FIG. 2*



*FIG. 3*



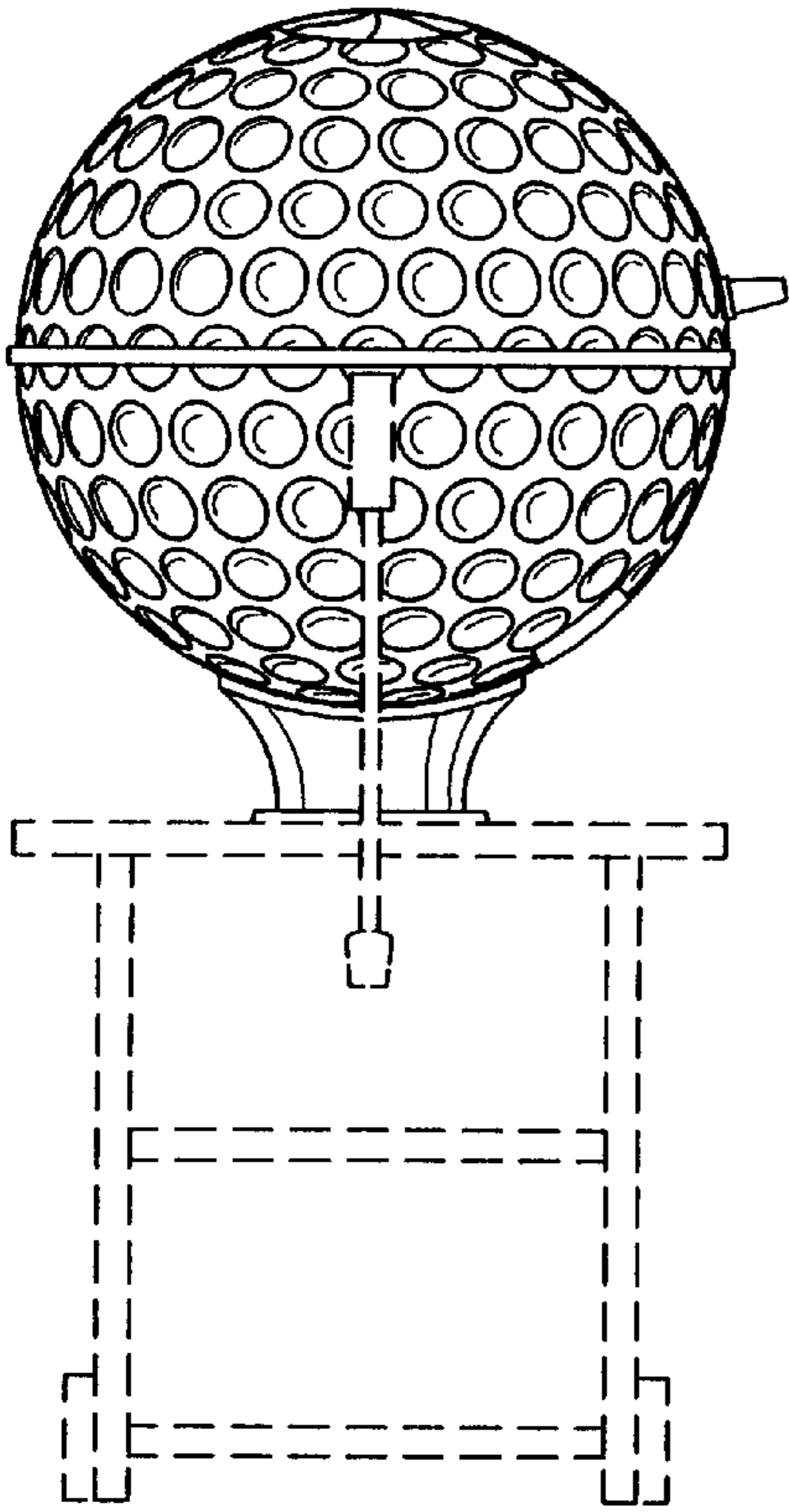


FIG. 4

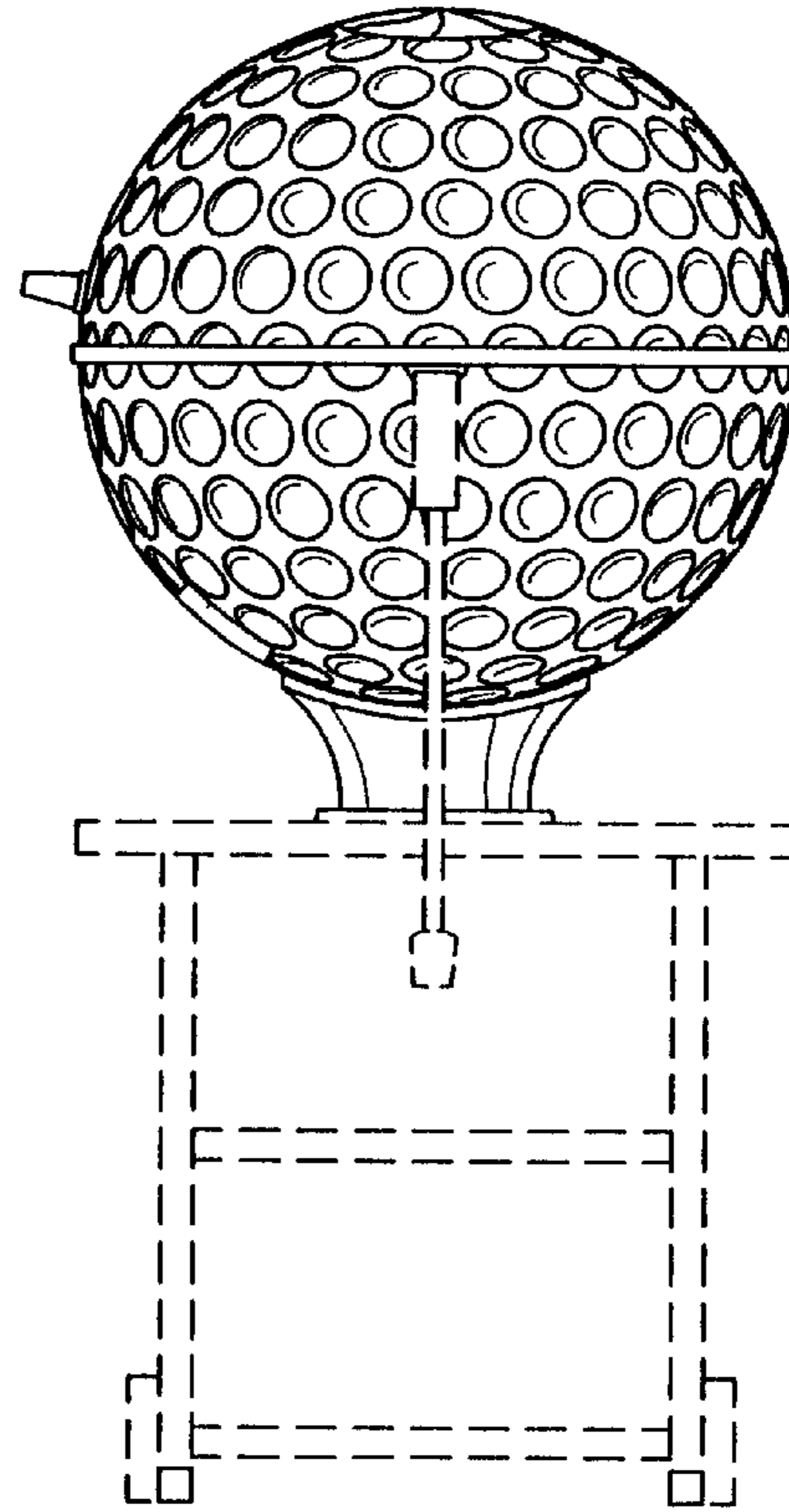


FIG. 5

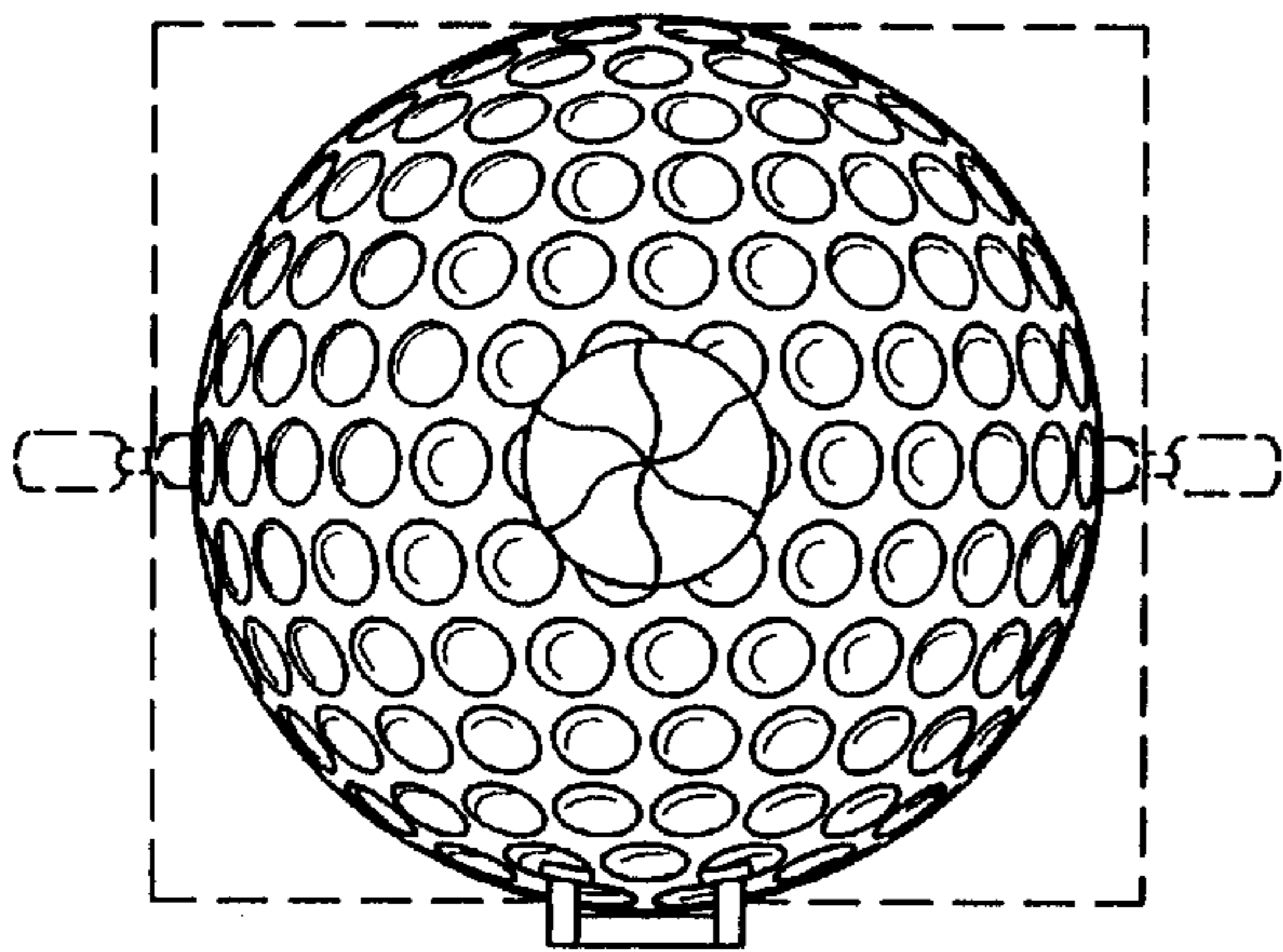


FIG. 6

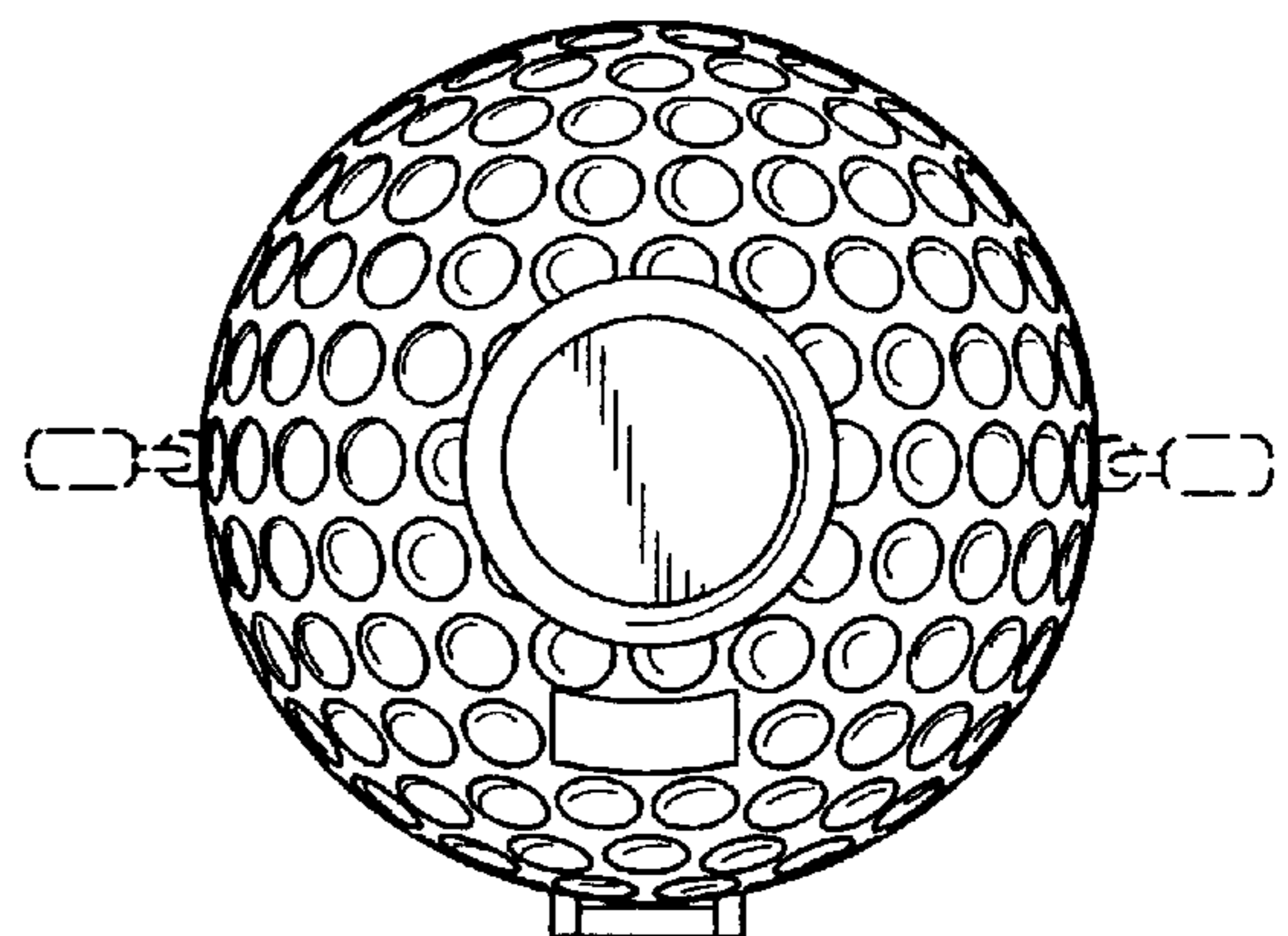


FIG. 7