



US00D443792S

(12) **United States Design Patent**
Peters et al.

(10) **Patent No.:** **US D443,792 S**

(45) **Date of Patent:** **** Jun. 19, 2001**

(54) **DRINK DISPENSING APPARATUS**

D. 431,145 * 9/2000 Woebcke et al. D7/306

D. 431,751 * 10/2000 Cahen D7/309

(75) Inventors: **Wolfram Peters; Simon Wilkinson;**
Robert Sluijter, all of Leiden (NL)

* cited by examiner

(73) Assignee: **Heineken Technical Services B.V.**,
Zoeterwoude (NL)

Primary Examiner—M. N. Pandozzi

(74) *Attorney, Agent, or Firm*—Abelman, Frayne &
Schwab

(**) Term: **14 Years**

(57) **CLAIM**

(21) Appl. No.: **29/126,871**

The ornamental design for a drink dispensing apparatus, as shown and described.

(22) Filed: **Jul. 25, 2000**

(30) **Foreign Application Priority Data**

DESCRIPTION

Jun. 16, 2000 (XH) DM/052 535

FIG. 1 is a front perspective view of the drink dispensing apparatus;

(51) **LOC (7) Cl.** **07-01**

FIG. 2 is a rear perspective view of the drink dispensing apparatus;

(52) **U.S. Cl.** **D7/306; D7/312; D7/313**

FIG. 3 is a right side elevation view of the drink dispensing apparatus;

(58) **Field of Search** D7/311, 313, 306,
D7/307, 308, 309, 310, 312, 300; 222/185.1,
173; 99/295, 279, 293, 304, 306

FIG. 4 is a left side elevation view of the drink dispensing apparatus;

(56) **References Cited**

FIG. 5 is a front elevation view of the drink dispensing apparatus;

U.S. PATENT DOCUMENTS

FIG. 6 is a rear elevation view of the drink dispensing apparatus;

D. 356,713 * 3/1995 Groover D7/306

FIG. 7 is a top view of the drink dispensing apparatus; and,

D. 369,057 * 4/1996 Bradford D7/313

D. 385,747 * 11/1997 Inoue D7/311

D. 401,803 * 12/1998 Alferink D7/307

D. 419,362 * 1/2000 Bouhuys D7/306

FIG. 8 is a bottom view of the drink dispensing apparatus.

1 Claim, 4 Drawing Sheets

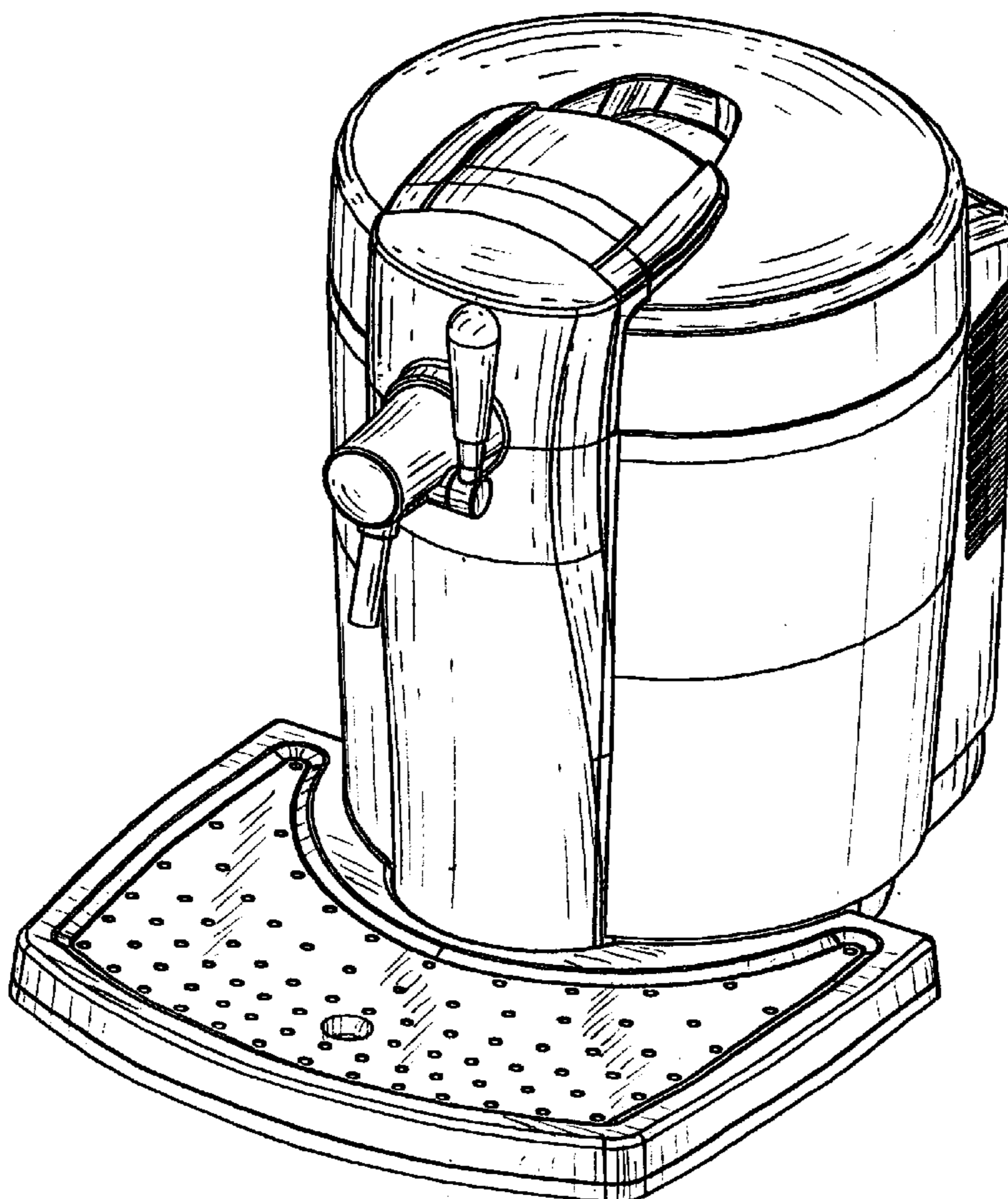


FIG. 1

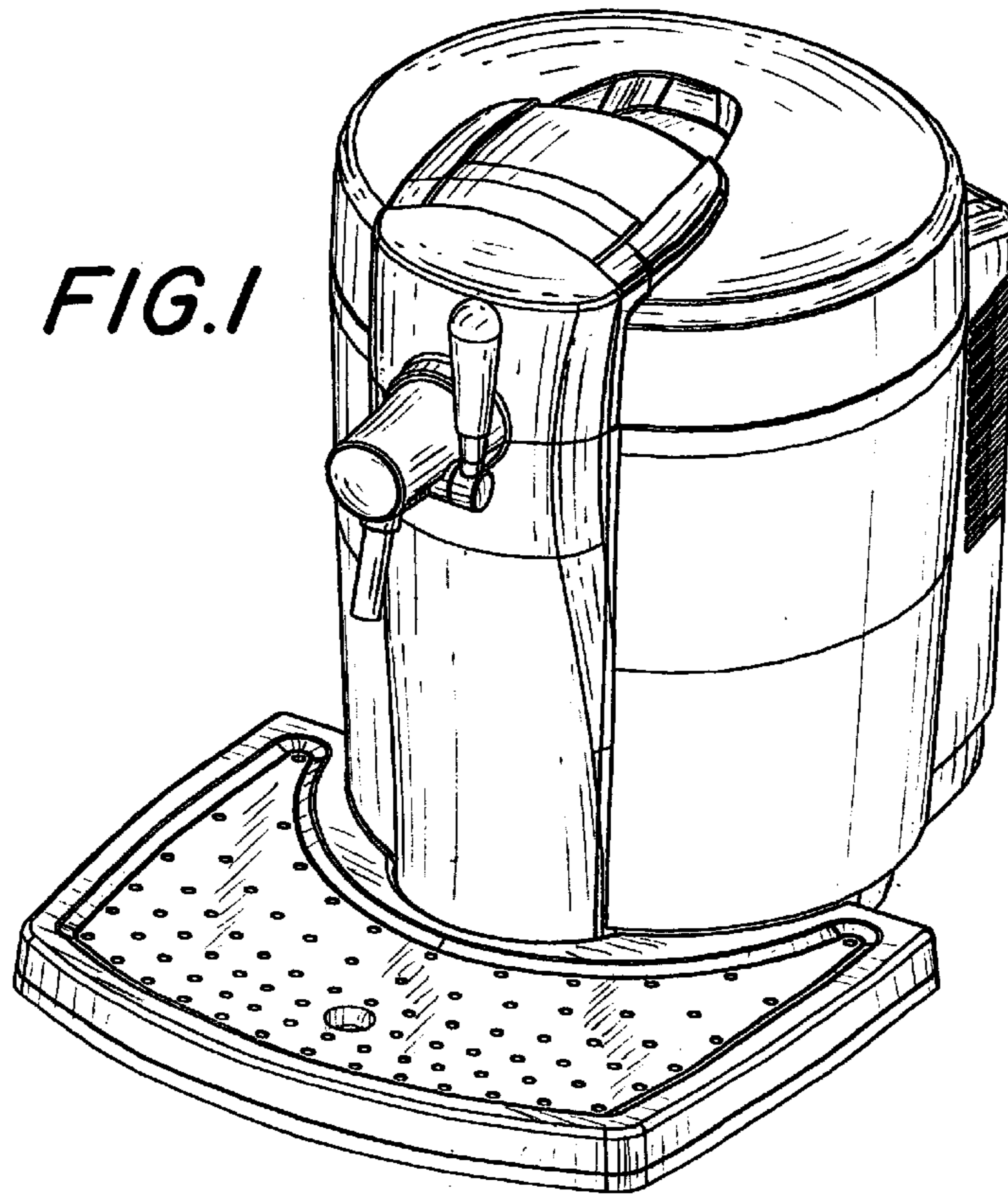
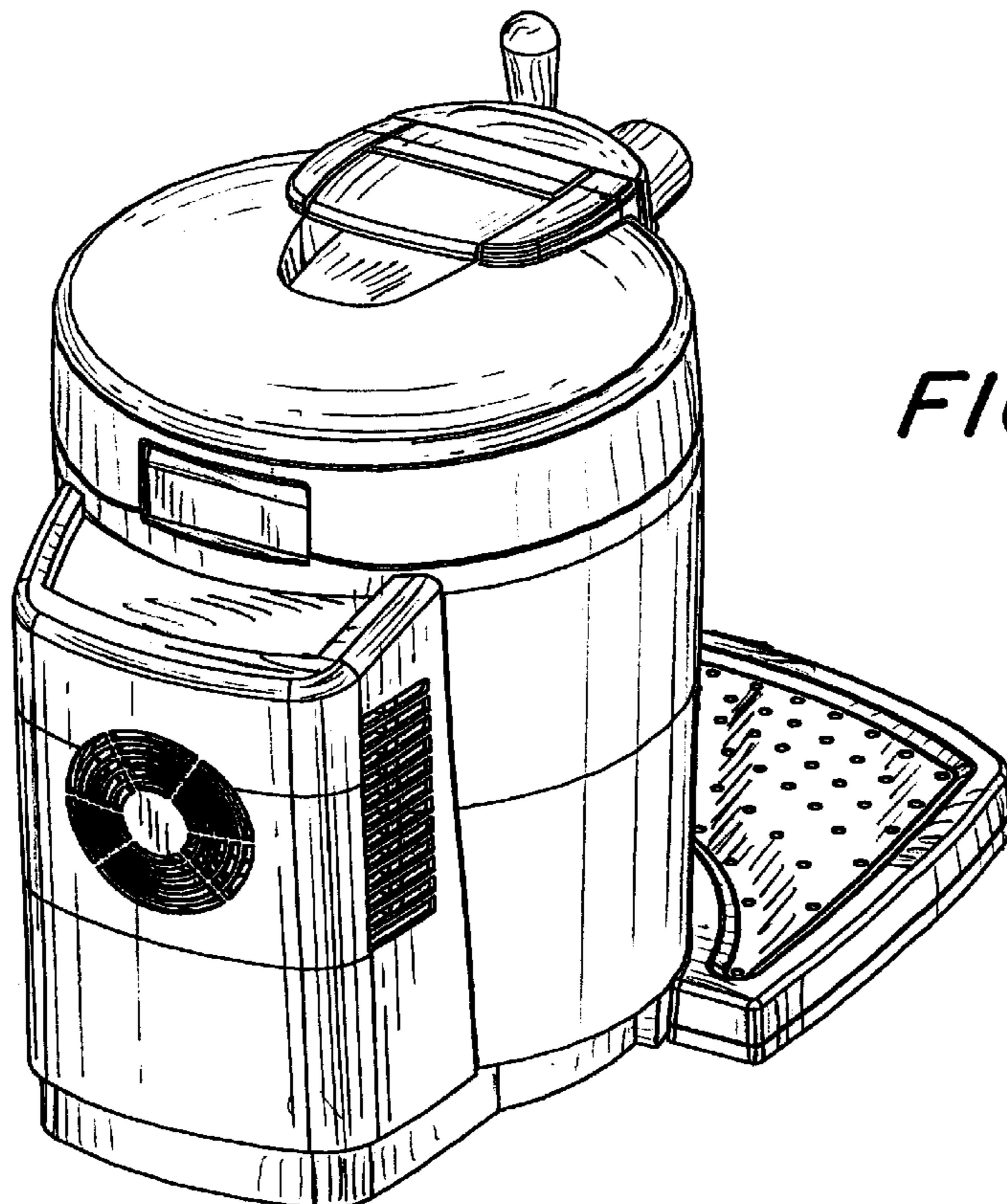


FIG. 2



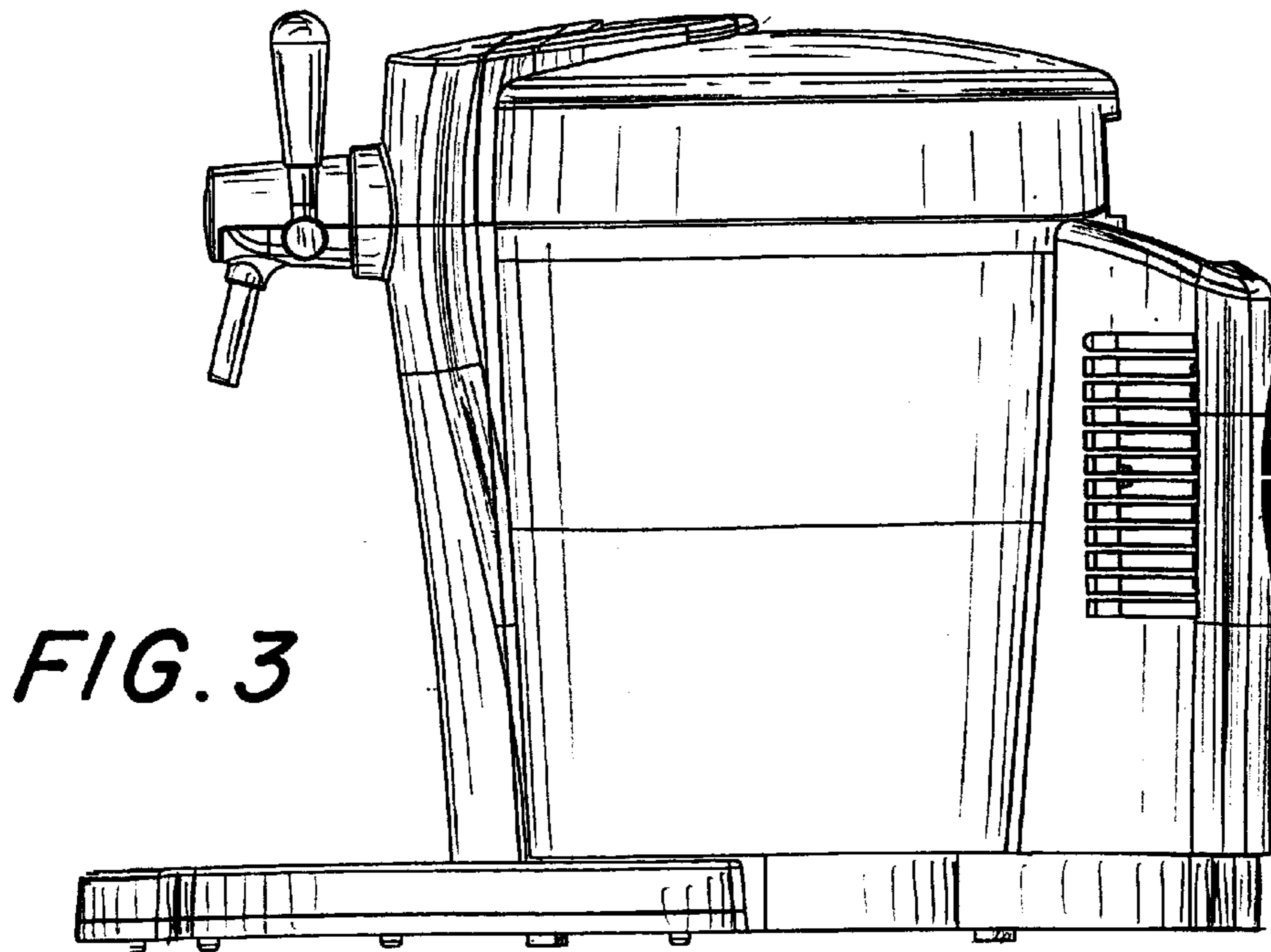


FIG. 3

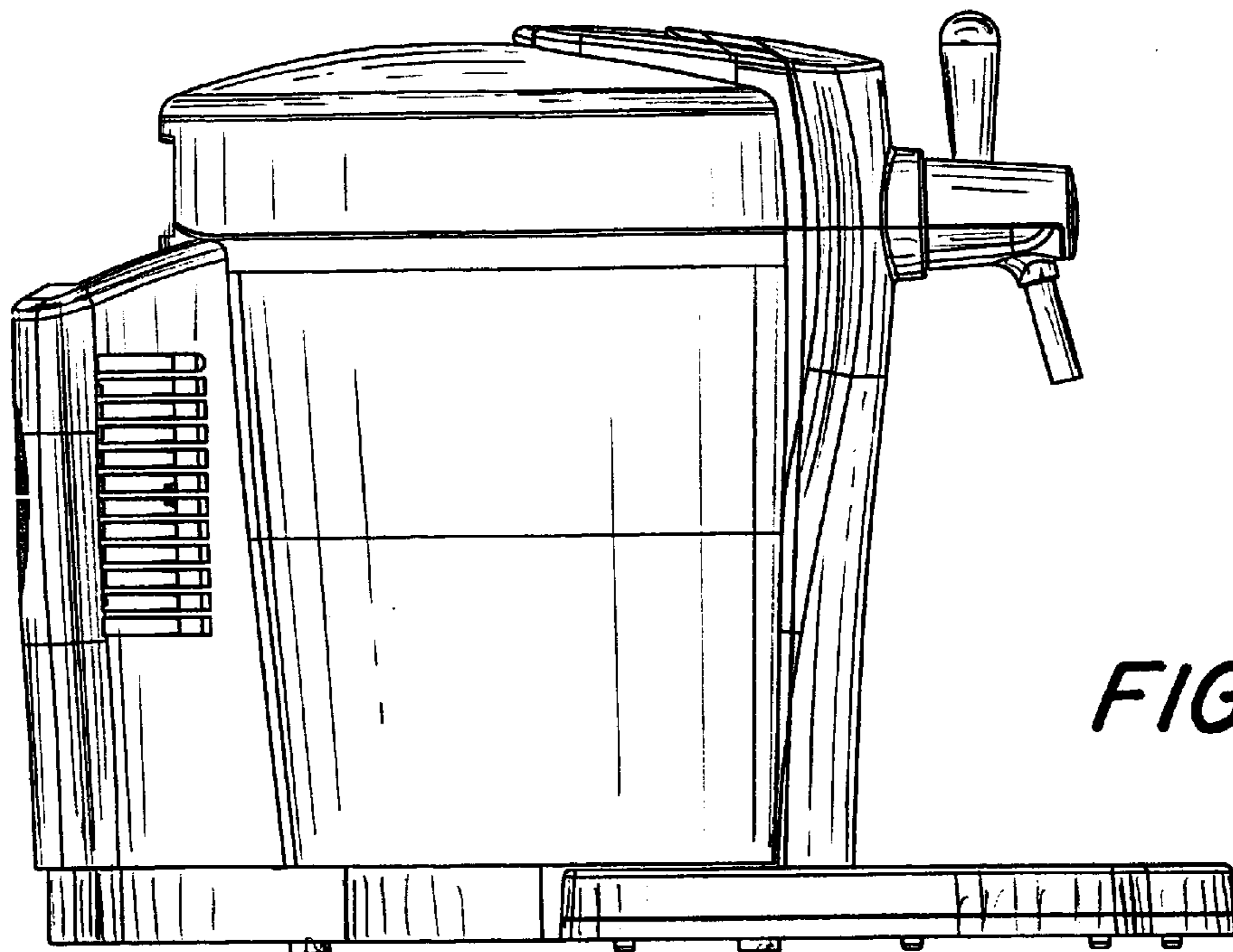


FIG. 4

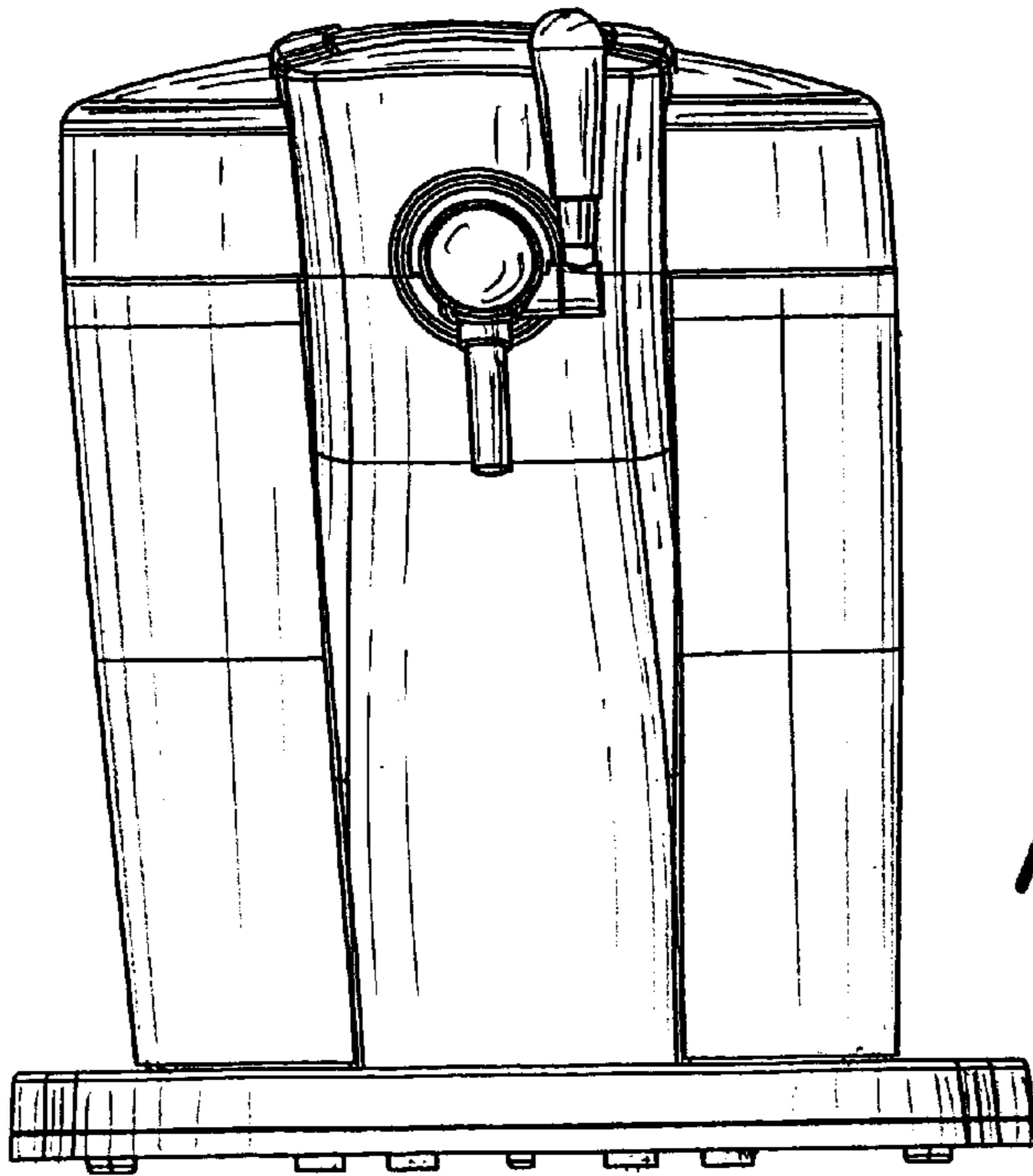


FIG. 5

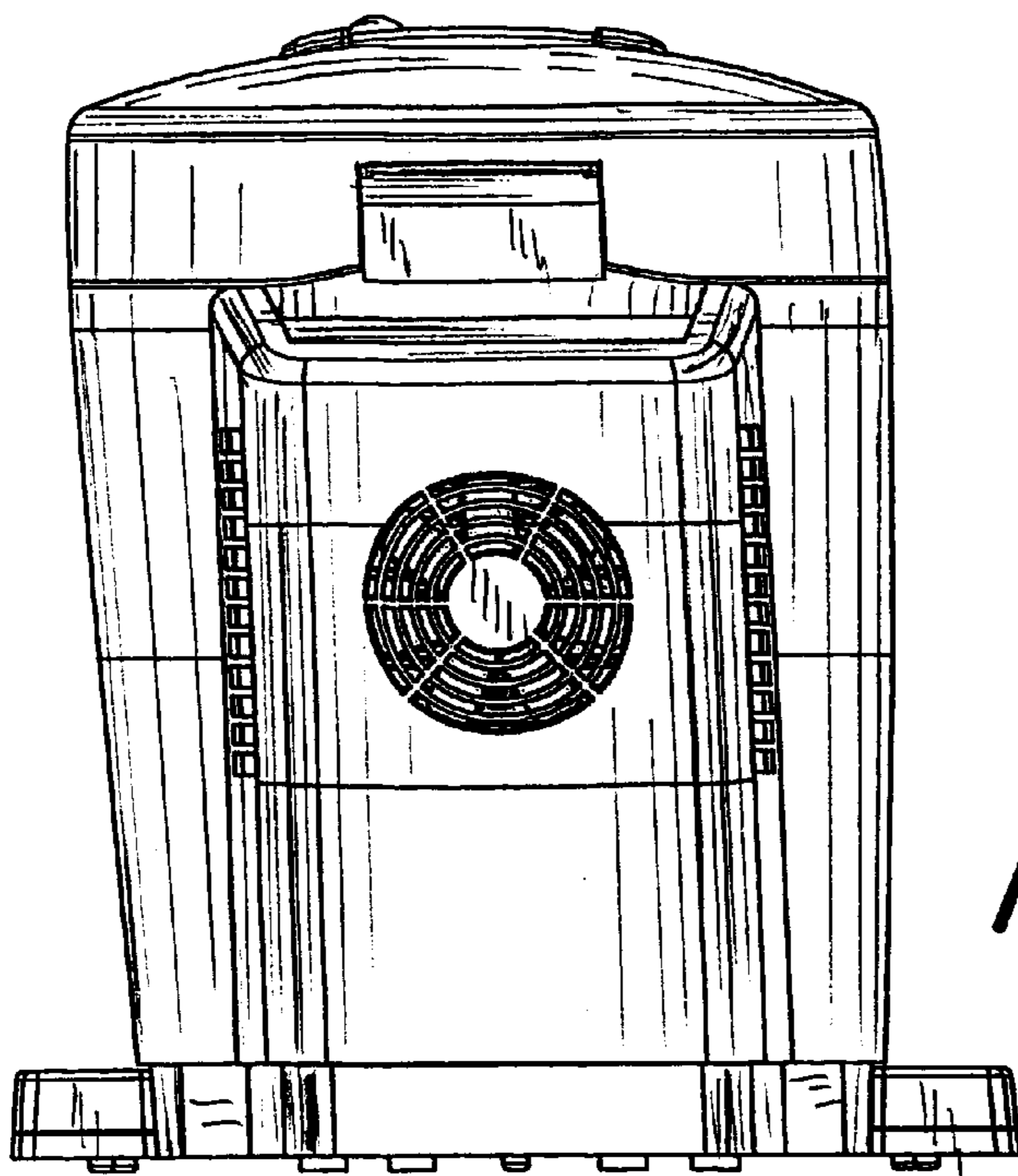


FIG. 6

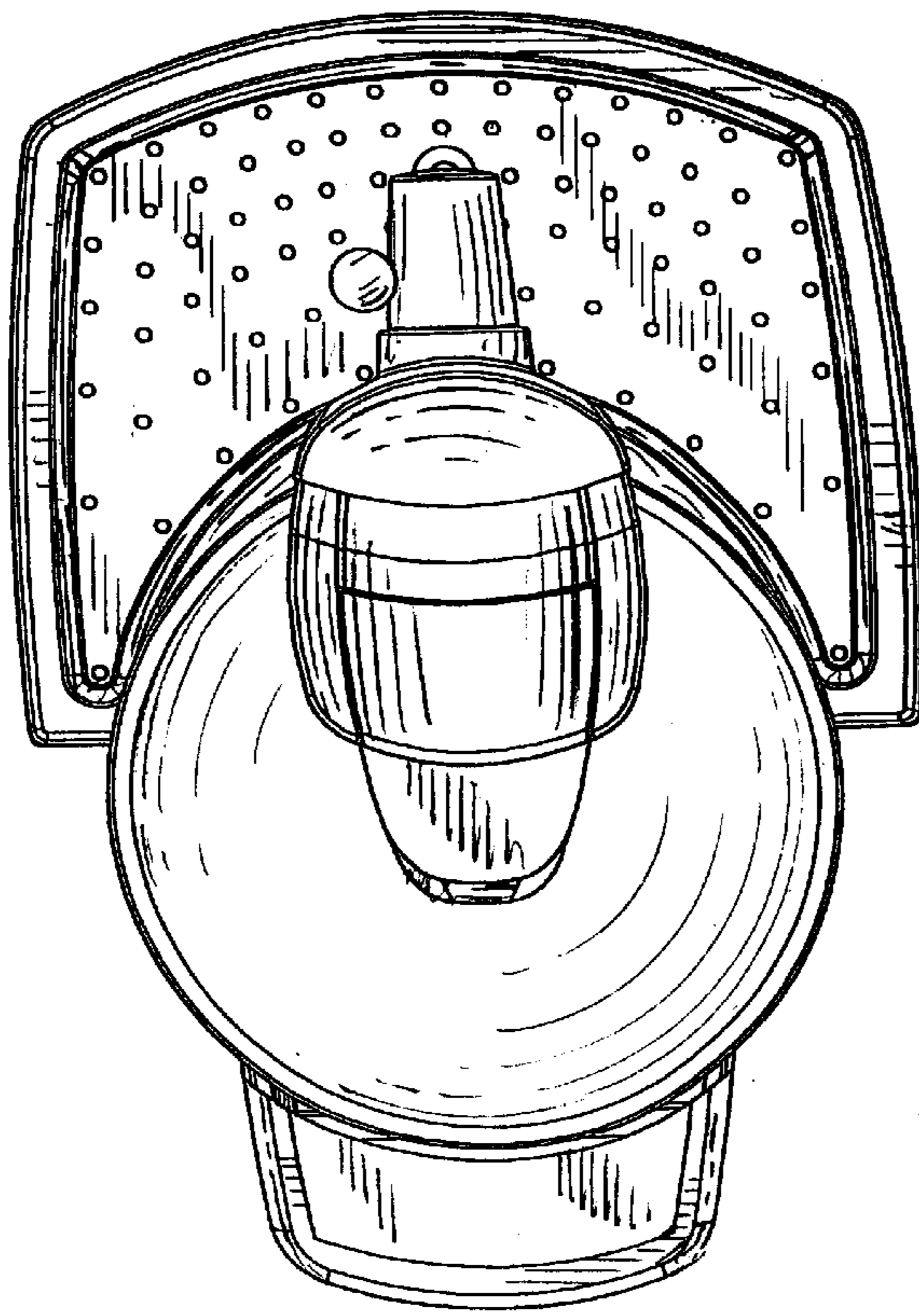


FIG. 7

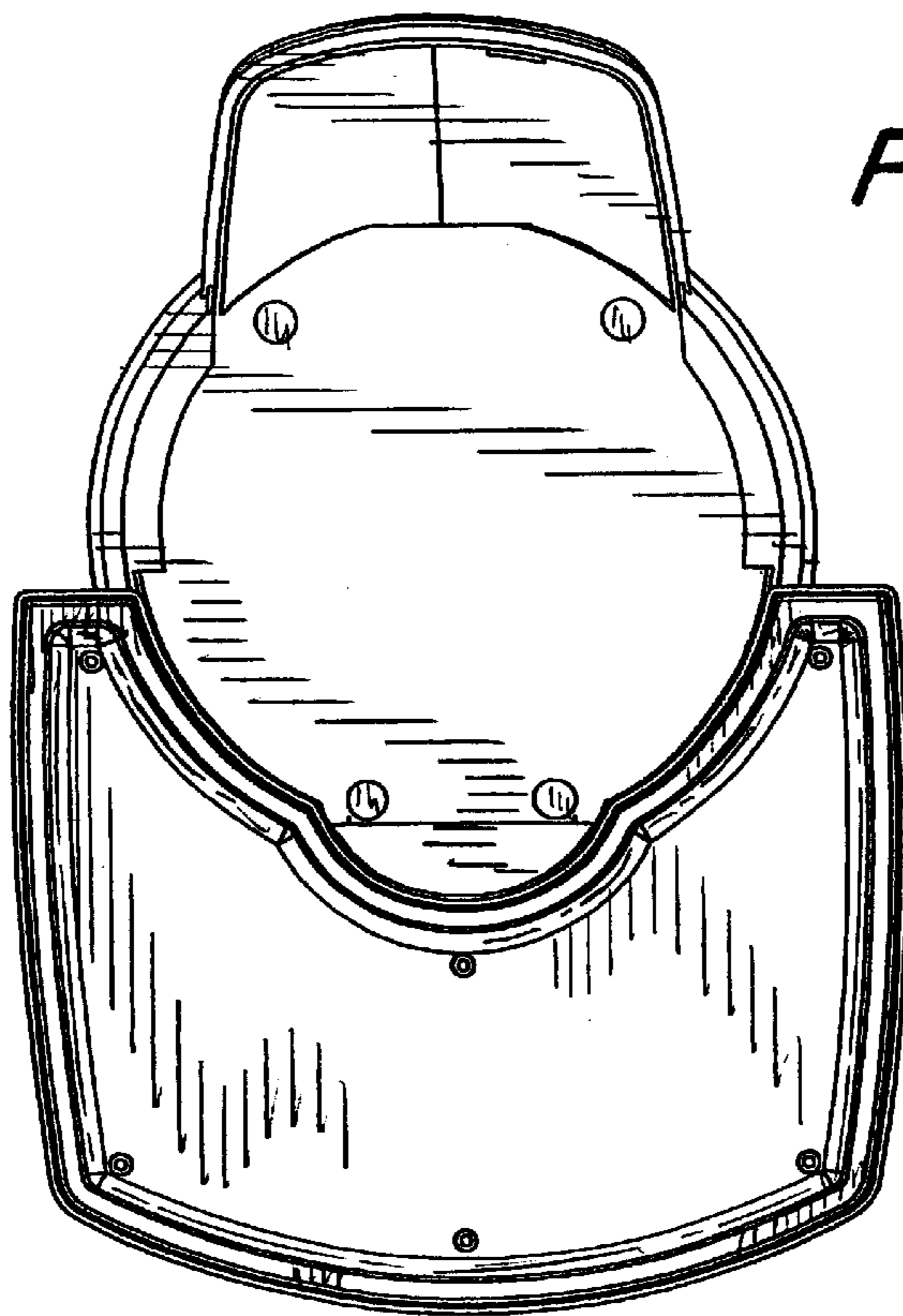


FIG. 8