



US00D443790S

(12) **United States Design Patent**
Bennett

(10) **Patent No.:** **US D443,790 S**

(45) **Date of Patent:** **** Jun. 19, 2001**

(54) **STORAGE RACK**

(75) **Inventor:** **Jason Bennett**, Central (HK)

(73) **Assignee:** **Sunhing Millennium Limited**,
Kowloon (HK)

(**) **Term:** **14 Years**

(21) **Appl. No.:** **29/131,264**

(22) **Filed:** **Oct. 17, 2000**

(51) **LOC (7) Cl.** **06-04**

(52) **U.S. Cl.** **D6/629; D6/467**

(58) **Field of Search** D6/407, 626-630,
D6/462-468, 450, 457, 473-476, 556-567,
570-572, 553; 312/9.1-9.64; D32/55, 58;
211/40, 41.1, 41.2, 41.3, 41.4, 42, 41.12,
44, 41.18, 48, 181.1; 206/307.1, 307, 308.1,
445, 387.15, 454, 387.1, 425

(56) **References Cited**

U.S. PATENT DOCUMENTS

- D. 199,423 * 10/1964 Probst D6/467
- D. 322,885 * 1/1992 Chedid D6/629
- D. 354,413 * 1/1995 Sedon et al. D6/629
- D. 356,921 * 4/1995 Wolff D6/629
- D. 358,524 * 5/1995 Sedon et al. D6/629
- D. 358,525 * 5/1995 Sedon et al. D6/629
- D. 404,603 * 1/1999 Smith D6/629
- D. 404,956 * 2/1999 Cheris et al. D6/629

- D. 404,957 * 2/1999 Cheris et al. D6/629
- 4,850,477 * 7/1989 Gelardi et al. 206/387.15 X
- 5,558,235 * 9/1996 Hunt 211/40
- 5,794,796 * 8/1998 Weisburn 211/40
- 5,873,472 * 2/1999 Weisburn 211/41.12

OTHER PUBLICATIONS

Global Catalog, Nov. 1993, p. 25, CDTRAXX cd organizer.*

BMG music service, CD flip file.*

Atlantic, Inc. Oct. 1993, item 1250.*

* cited by examiner

Primary Examiner—Jeffrey Asch

(74) *Attorney, Agent, or Firm*—Eric Bleich; Marguerite DelValle

(57) **CLAIM**

The ornamental design for a storage rack, as shown and described.

DESCRIPTION

FIG. 1 is a perspective view of the new ornamental storage rack of the present invention.

FIG. 2 is a top plan view thereof.

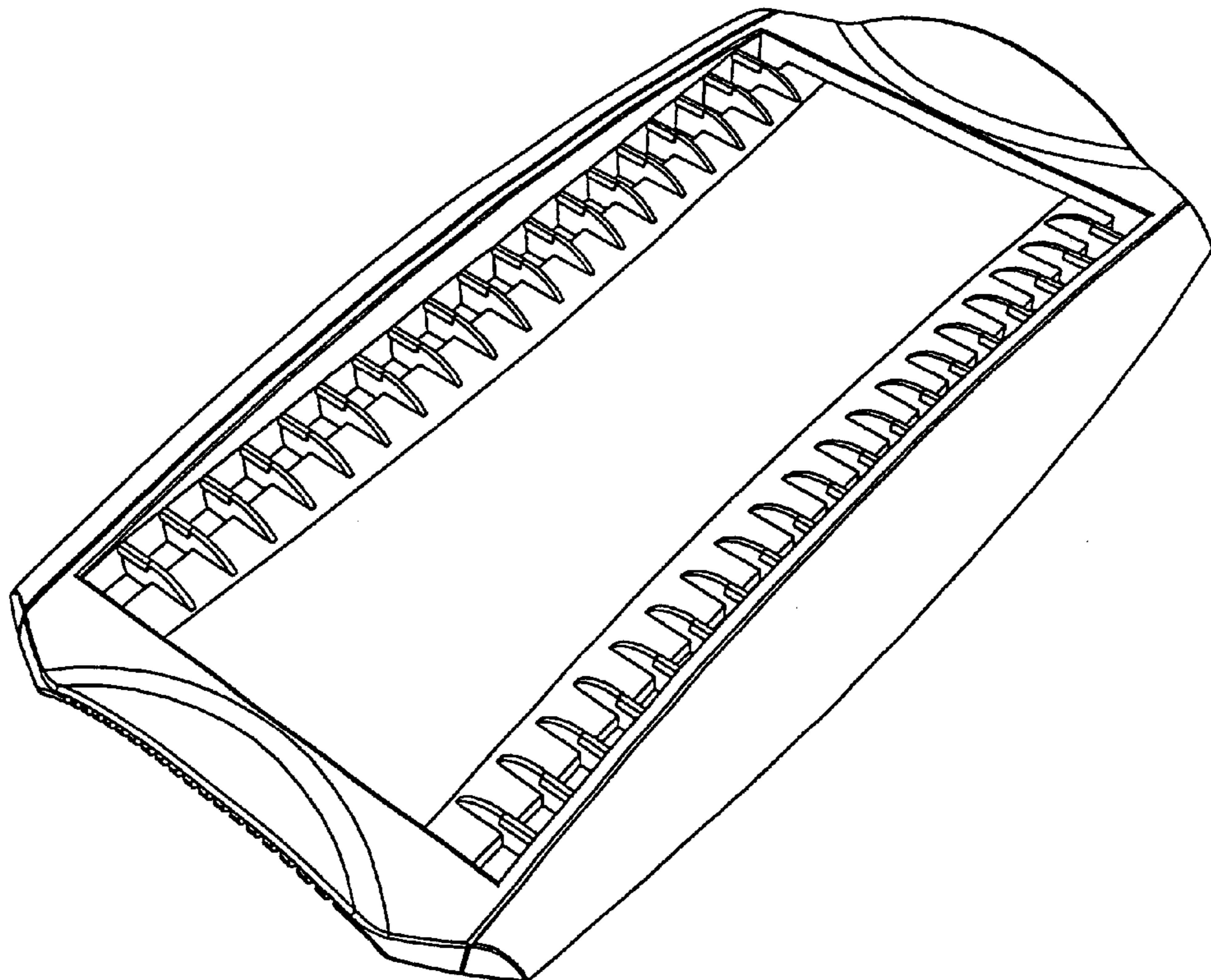
FIG. 3 is a left side view thereof.

FIG. 4 is a right side view thereof.

FIG. 5 is a front view thereof; and,

FIG. 6 is a back view thereof.

1 Claim, 4 Drawing Sheets



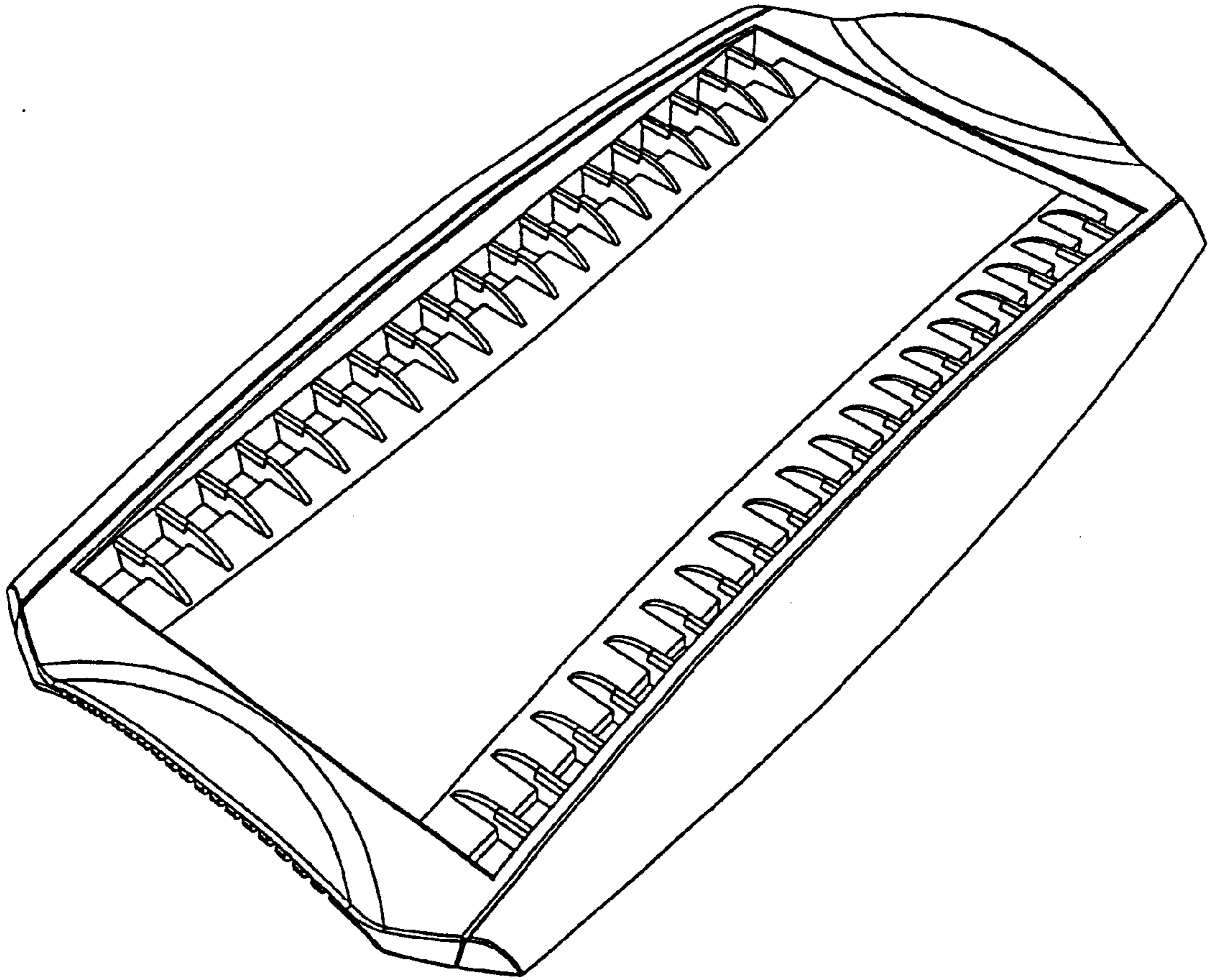


Fig. 1

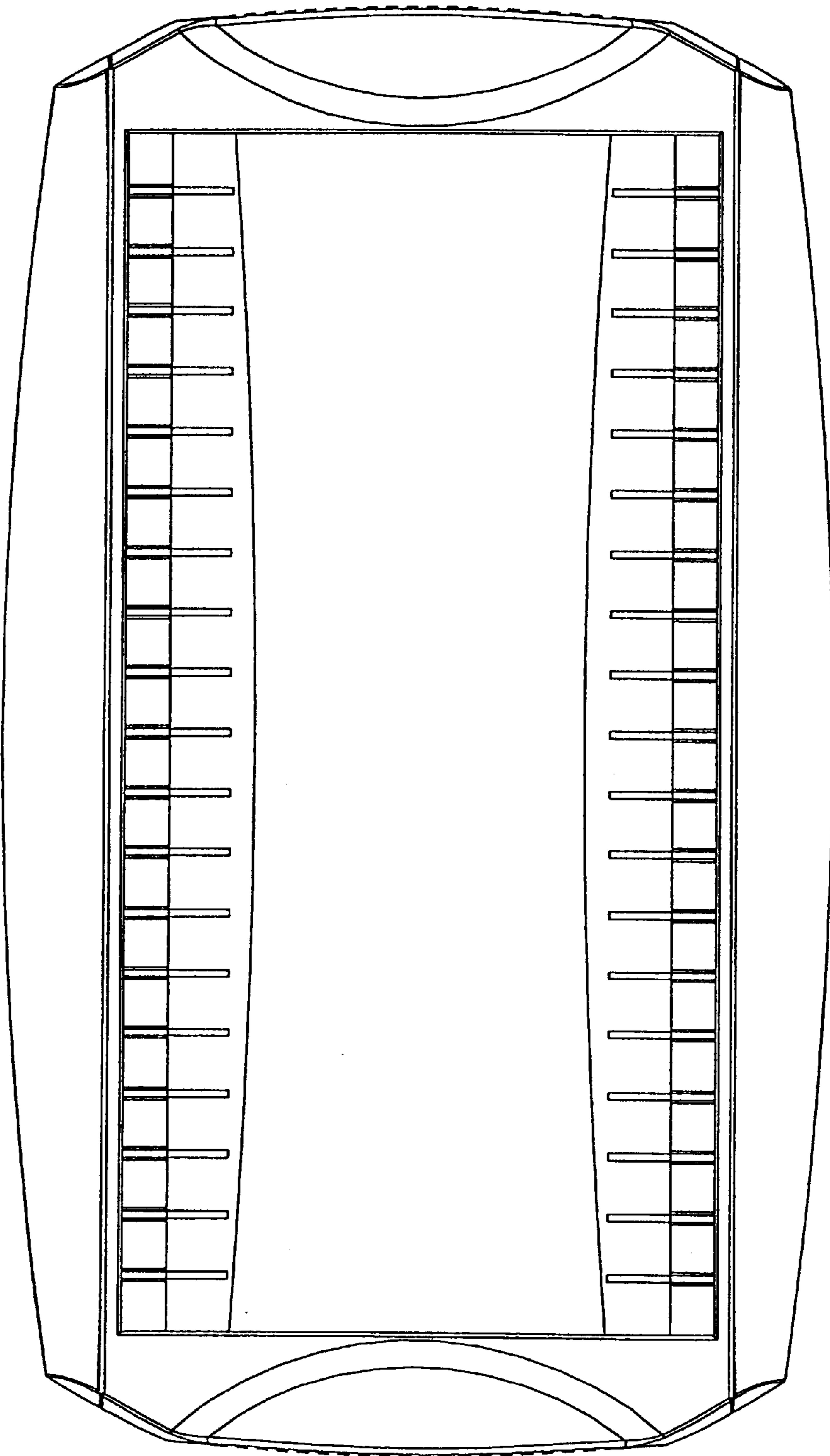


Fig. 2

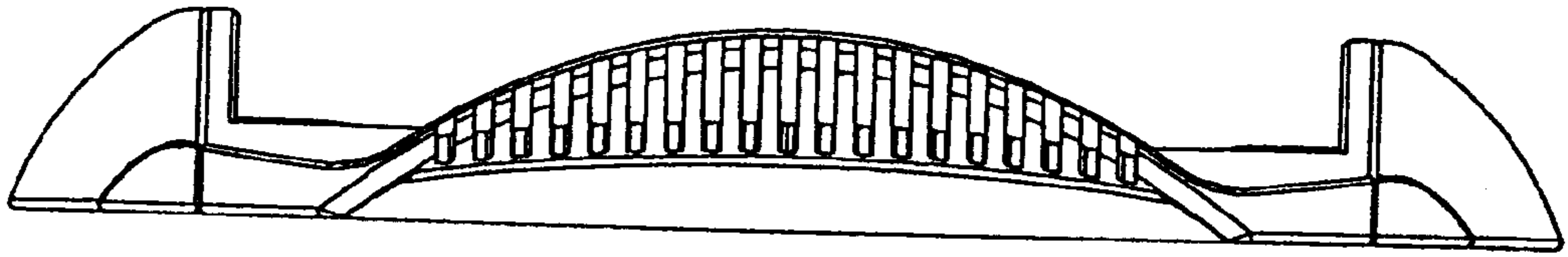


Fig. 3

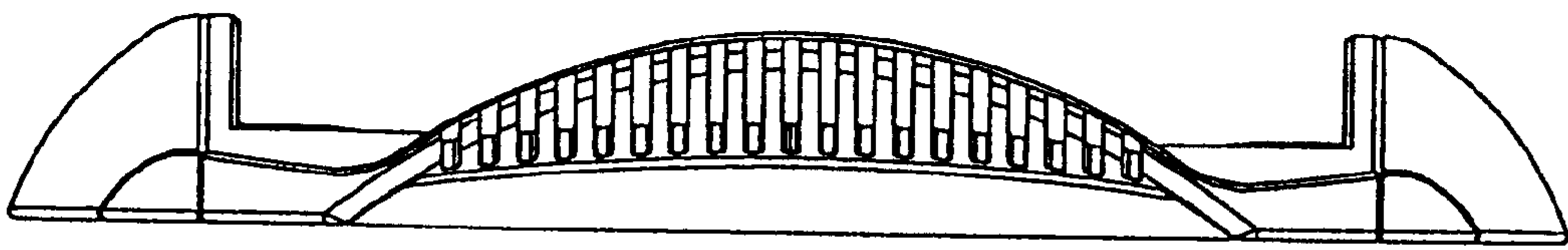


Fig. 4



Fig. 5



Fig. 6