



US00D443788S

(12) **United States Design Patent**
Horsten

(10) **Patent No.:** **US D443,788 S**

(45) **Date of Patent:** **** Jun. 19, 2001**

(54) **EXTRUDED HEADRAIL FOR VENETIAN BLIND**

(76) **Inventor:** **Antonius Johannus Josephus Horsten,**
Muurbloemweg 77, 2555 NC Den Haag
(NL)

(**) **Term:** **14 Years**

(21) **Appl. No.:** **29/118,446**

(22) **Filed:** **Feb. 7, 2000**

(30) **Foreign Application Priority Data**

Aug. 5, 1999 (XH) DMA/004 641

(51) **LOC (7) Cl.** **06-10**

(52) **U.S. Cl.** **D6/580**

(58) **Field of Search** D25/119; D6/580;
D8/377, 349, 363, 376, 354; 160/178.1;
248/262, 264

(56) **References Cited**

U.S. PATENT DOCUMENTS

D. 355,093 * 2/1995 Morris D6/580
D. 355,094 * 2/1995 Josephson D6/580
D. 403,910 * 1/1999 Anderson D6/580
2,627,917 * 2/1953 Lind 160/173

* cited by examiner

Primary Examiner—Mitchell Siegel

(74) *Attorney, Agent, or Firm*—Dorsey & Whitney LLP

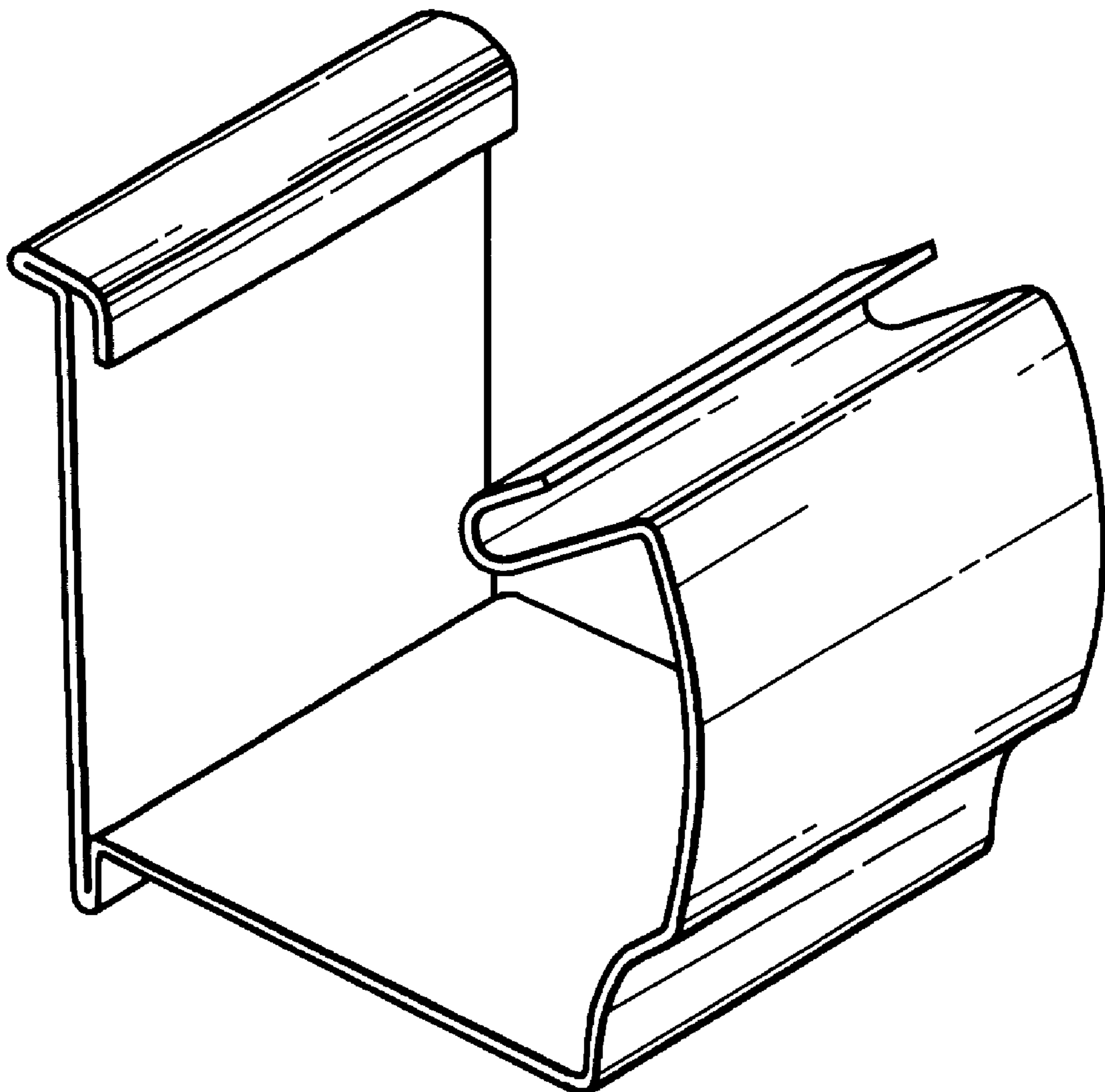
(57) **CLAIM**

I claim the ornamental design for an extruded headrail for Venetian blind, as shown.

DESCRIPTION

FIG. 1 is an isometric view of the extruded headrail for Venetian blind; and,
FIG. 2 is an end elevation of the extrusion shown in FIG. 1.

1 Claim, 1 Drawing Sheet



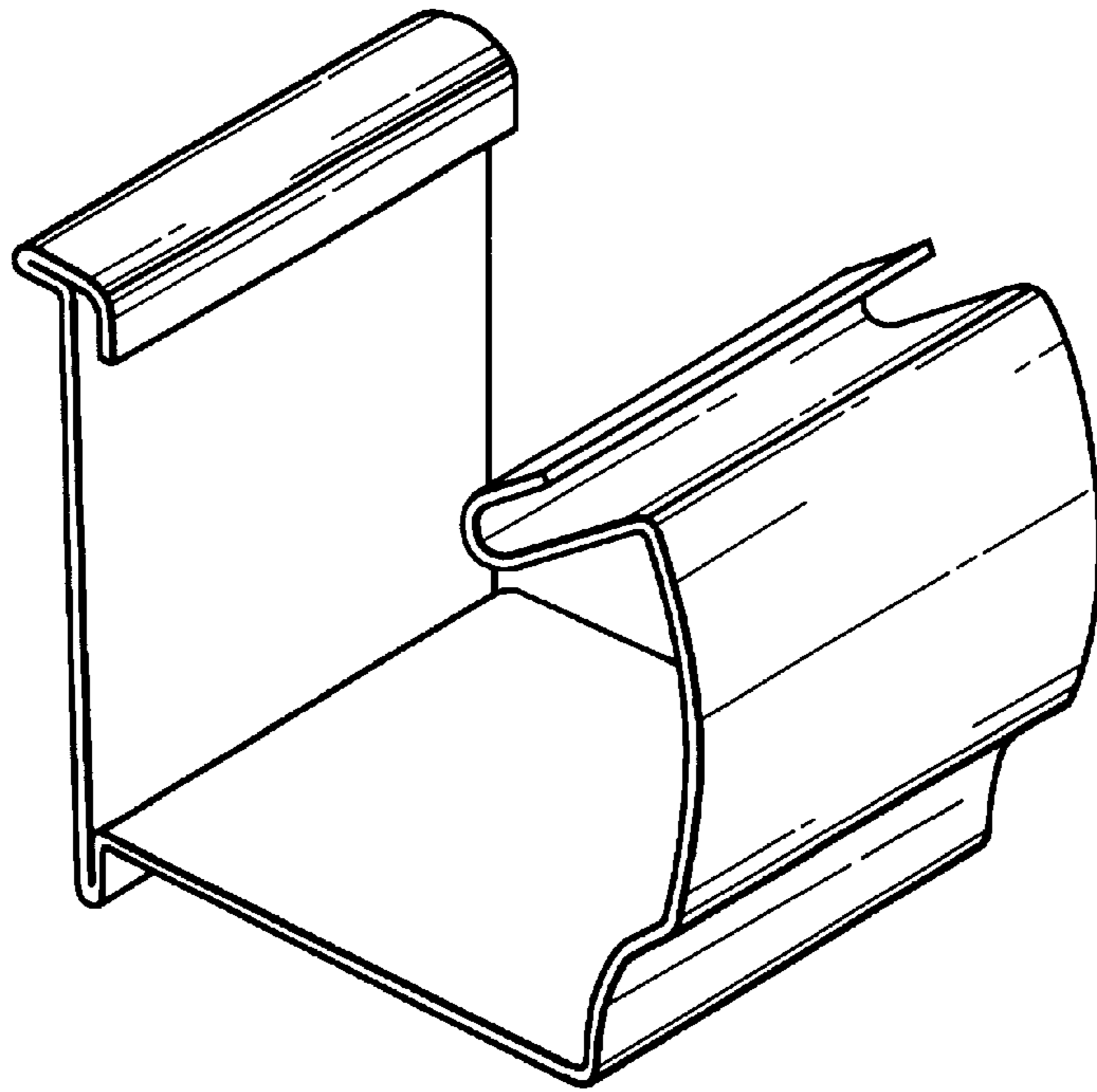


Fig. 1.

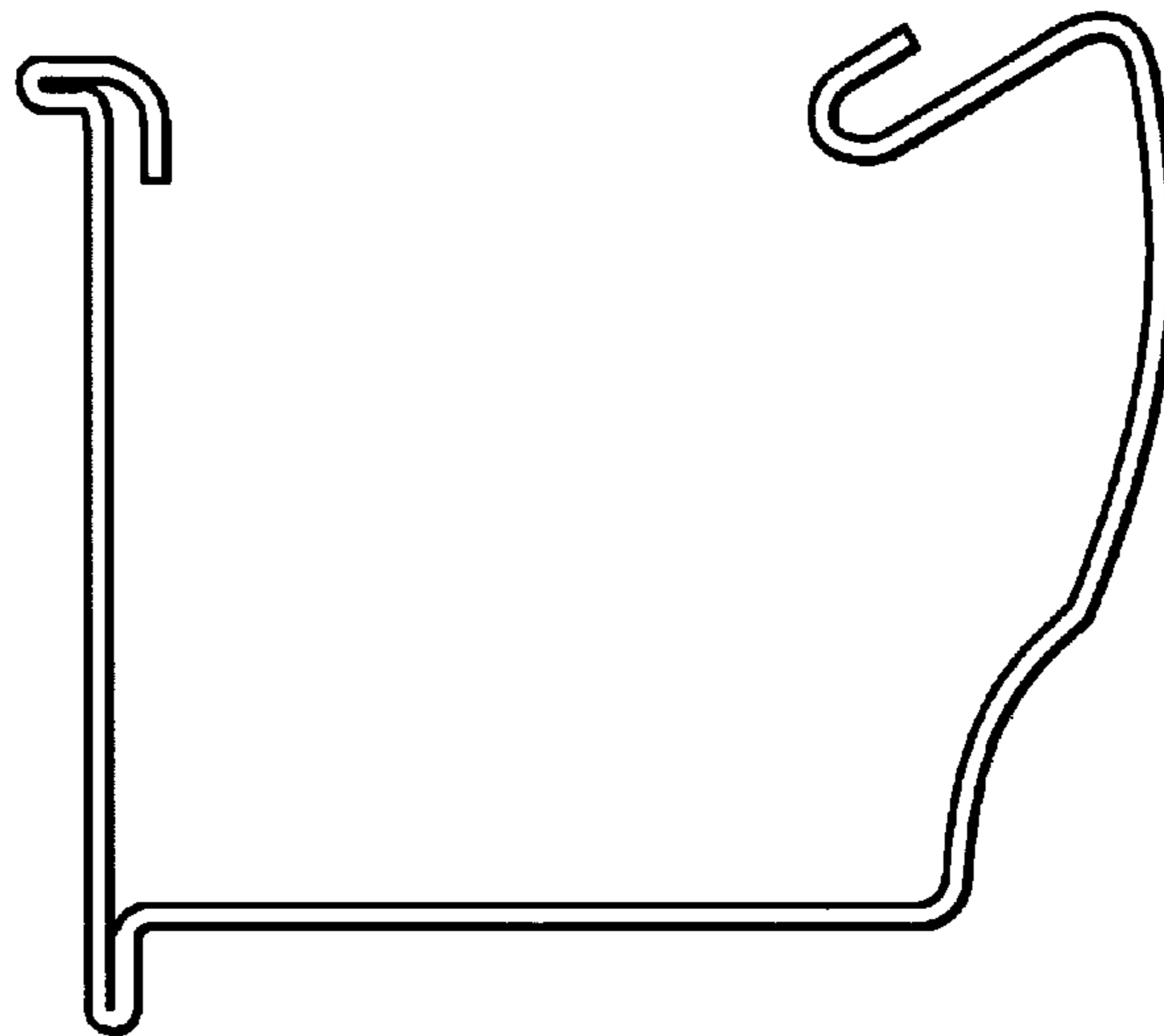


Fig. 2.