



US00D443780S

(12) **United States Design Patent**
Kauzlarich et al.

(10) **Patent No.:** **US D443,780 S**

(45) **Date of Patent:** **** Jun. 19, 2001**

(54) **5 LITER DISPENSER BOTTLE WITH
PREFORMED NOTCH**

(75) Inventors: **John Kauzlarich**, Darien; **Brian Phillips**, Joliet; **A. J. Voth**, St. Charles, all of IL (US); **Jeffrey E. Strickler**, Dover, PA (US)

(73) Assignee: **Gent-L-Kleen**, York, PA (US)

(**) Term: **14 Years**

(21) Appl. No.: **29/112,071**

(22) Filed: **Oct. 9, 1999**

(51) **LOC (7) Cl.** **06-02**

(52) **U.S. Cl.** **D6/542; D9/520; D32/30; D7/397**

(58) **Field of Search** D7/300, 306, 312, D7/313, 397, 398, 608, 603; D34/39; D9/325, 526, 520, 447, 500, 502, 542; 220/632, 649, 630; D23/205; 222/146.6, 156; 215/12.1; D6/542, 512, 545; D32/30

(56) **References Cited**

U.S. PATENT DOCUMENTS

D. 181,131	*	10/1957	Crosio	D34/39
D. 211,511	*	6/1968	Mangold et al.	D34/39
D. 243,155	*	1/1977	Bonnett	D34/39
D. 244,177	*	5/1977	Ward	D34/39
D. 264,638	*	5/1982	Maeda	D9/502
D. 276,499	*	11/1984	Kamada et al.	D9/325
D. 277,041	*	1/1985	Nichols	D34/39
D. 278,887		5/1985	Steiner	.	
D. 282,347		1/1986	Steiner	.	
D. 282,528		2/1986	Steiner	.	
D. 295,108	*	4/1988	Przytulla	D34/39
D. 320,343	*	10/1991	Halm et al.	D32/30
D. 331,825	*	12/1992	Osgar et al.	D34/39
D. 332,049	*	12/1992	Burgdorf	D9/447
D. 335,745	*	5/1993	Schilthuizen	D34/39
D. 336,714	*	6/1993	Brossia et al.	D34/39
D. 340,386	*	10/1993	McGourthy, Sr.	D7/603

D. 344,385	*	2/1994	Przytulla	D34/39
D. 359,830	*	6/1995	Mikula et al.	D34/39
D. 374,959	*	10/1996	Mull	D34/39
D. 381,141	*	7/1997	Balz	D32/30
D. 383,264	*	9/1997	Balz	D32/30
D. 393,521	*	4/1998	Morneau	D34/39
D. 408,113	*	4/1999	Hunter et al.	D34/39
D. 422,127	*	3/2000	Jacques et al.	D34/39
4,149,573		4/1979	Cassia	.	
4,173,858		11/1979	Cassia	.	
4,203,526	*	5/1980	Stoll, III	220/649
4,429,812		2/1984	Steiner et al.	.	
4,489,847	*	12/1984	Ames	220/649
4,673,109		6/1987	Cassia	.	
5,082,150		1/1992	Steiner et al.	.	
5,174,476		12/1992	Steiner et al.	.	
5,469,985	*	11/1995	Furuichi et al.	220/632

* cited by examiner

Primary Examiner—M. N. Pandozzi

(74) *Attorney, Agent, or Firm*—Emrich & Dithmar

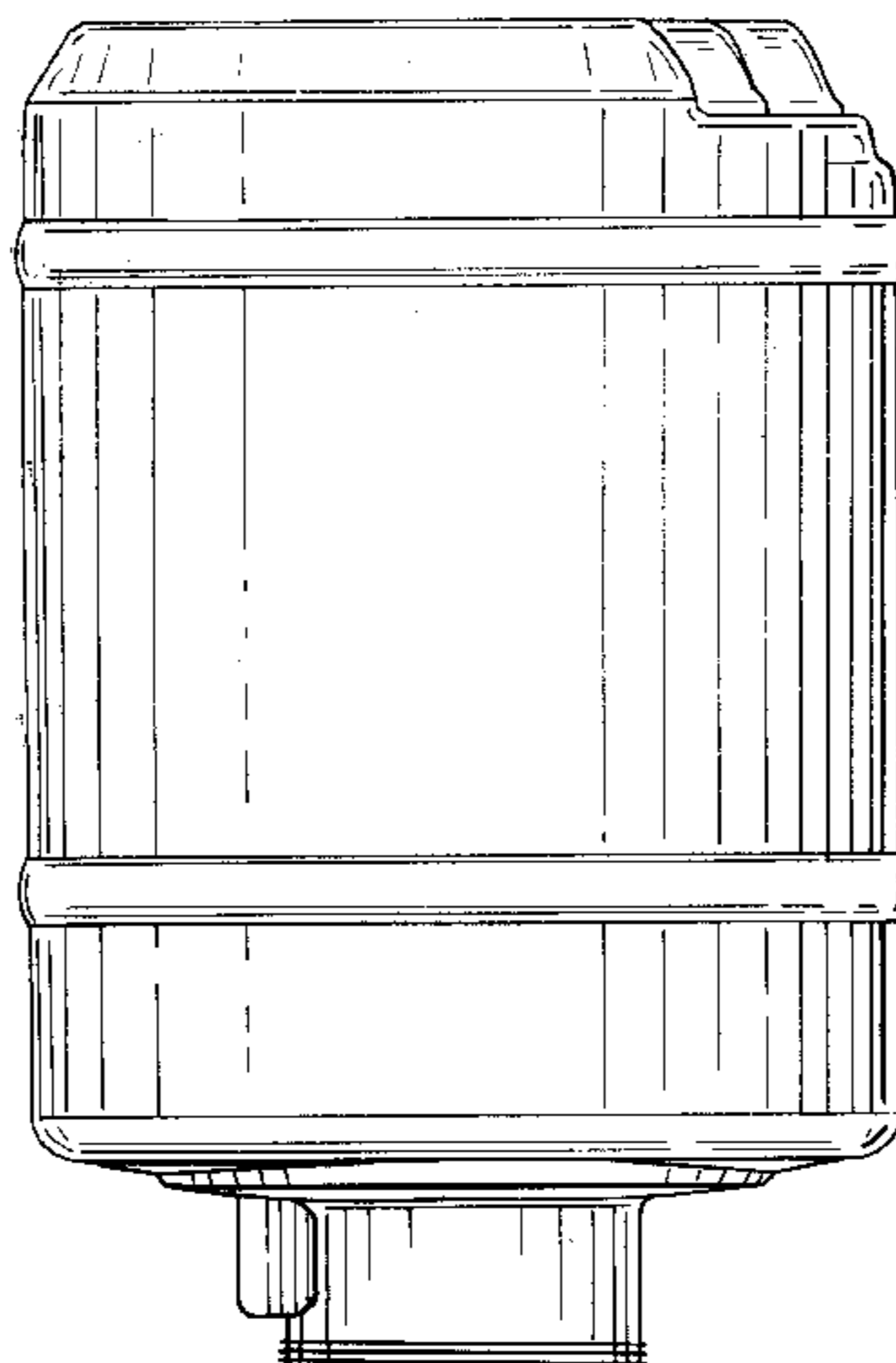
(57) **CLAIM**

The ornamental design for the 5 liter dispenser bottle with preformed notch, as shown and described.

DESCRIPTION

FIG. 1 is a perspective view of the 5 liter dispenser bottle with preformed notch embodying our new design;
 FIG. 2 is a front view of the 5 liter dispenser bottle with preformed notch illustrated in FIG. 1;
 FIG. 3 is a top view of the 5 liter dispenser bottle with preformed notch illustrated in FIG. 1;
 FIG. 4 is a rear view of the 5 liter dispenser bottle with preformed notch illustrated in FIG. 1;
 FIG. 5 is a bottom view of the 5 liter dispenser bottle with preformed notch illustrated in FIG. 1;
 FIG. 6 is a right hand side view of the 5 liter dispenser bottle with preformed notch illustrated in FIG. 1; and,
 FIG. 7 is a left hand side view of the 5 liter dispenser bottle with preformed notch illustrated in FIG. 1.

1 Claim, 5 Drawing Sheets



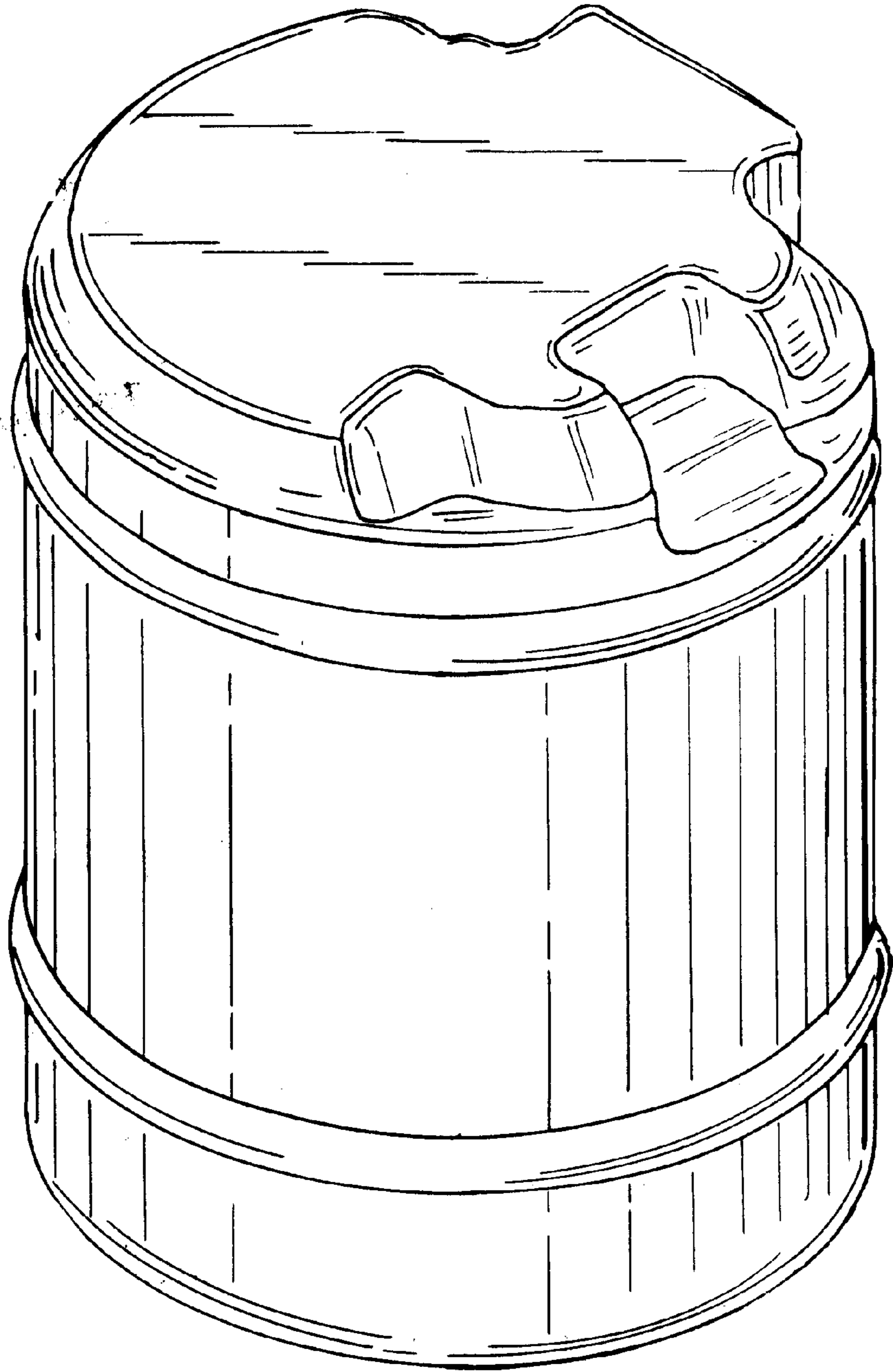


FIG. 1

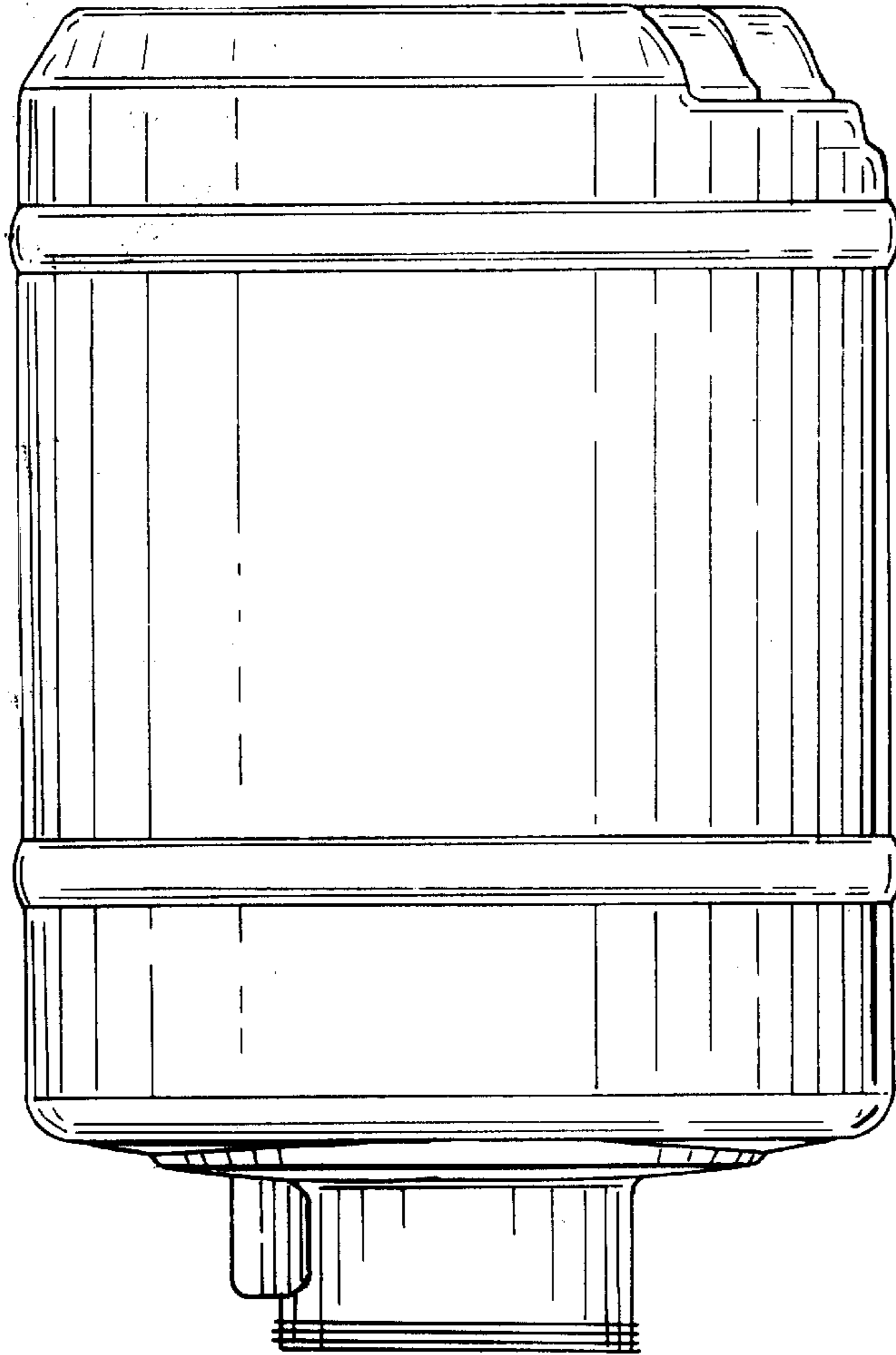


FIG. 2

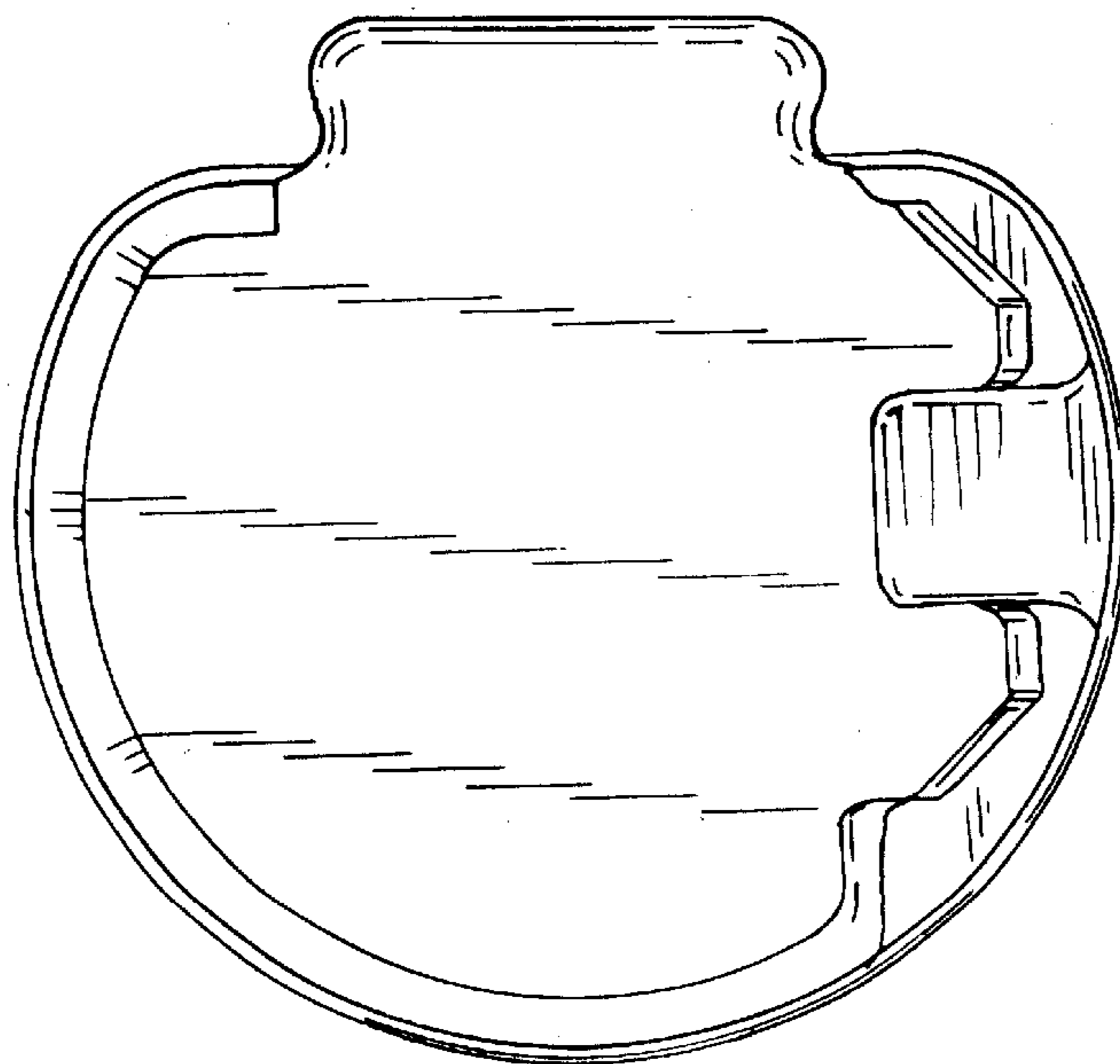


FIG. 3

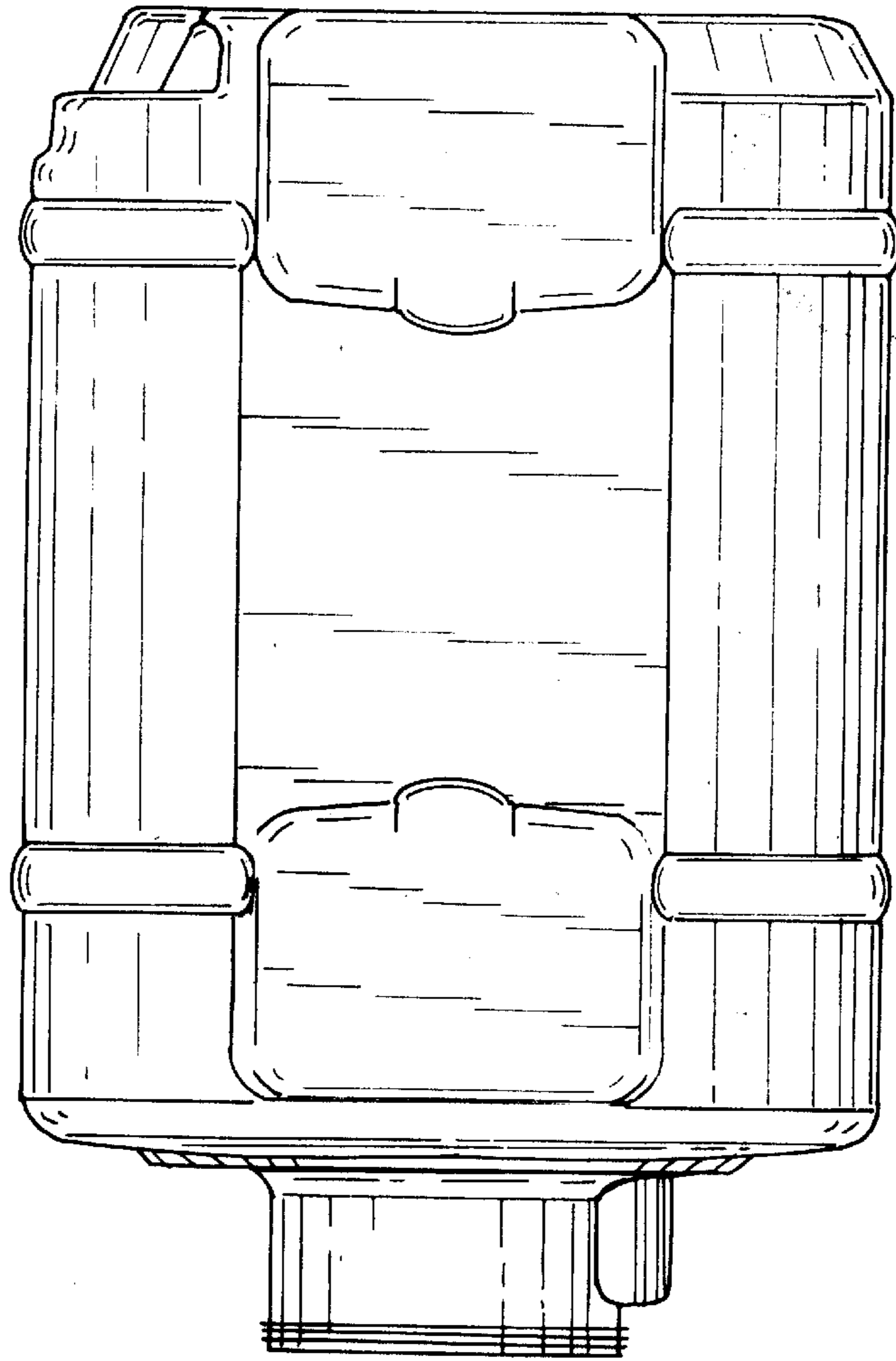


FIG. 4

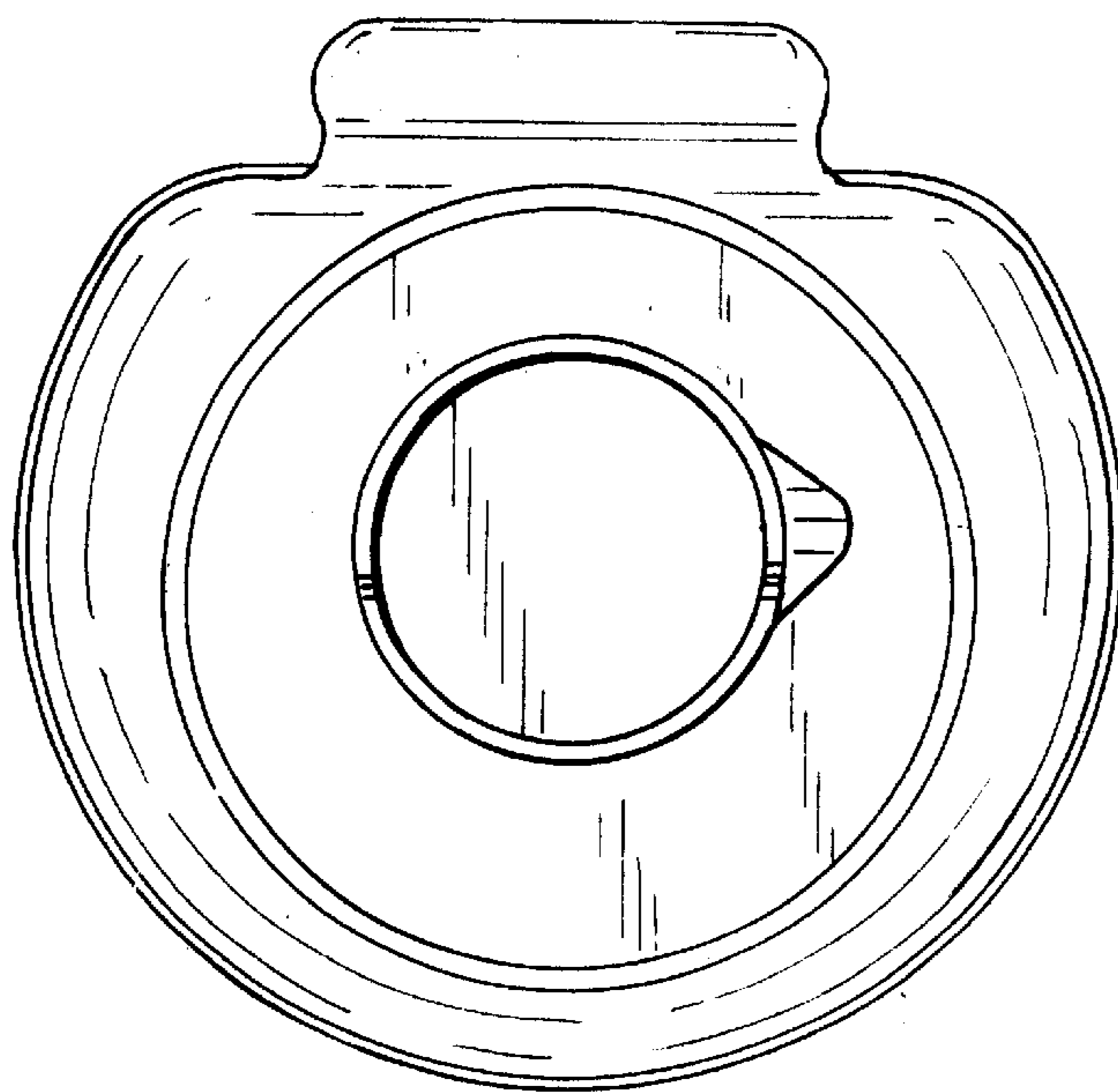


FIG. 5

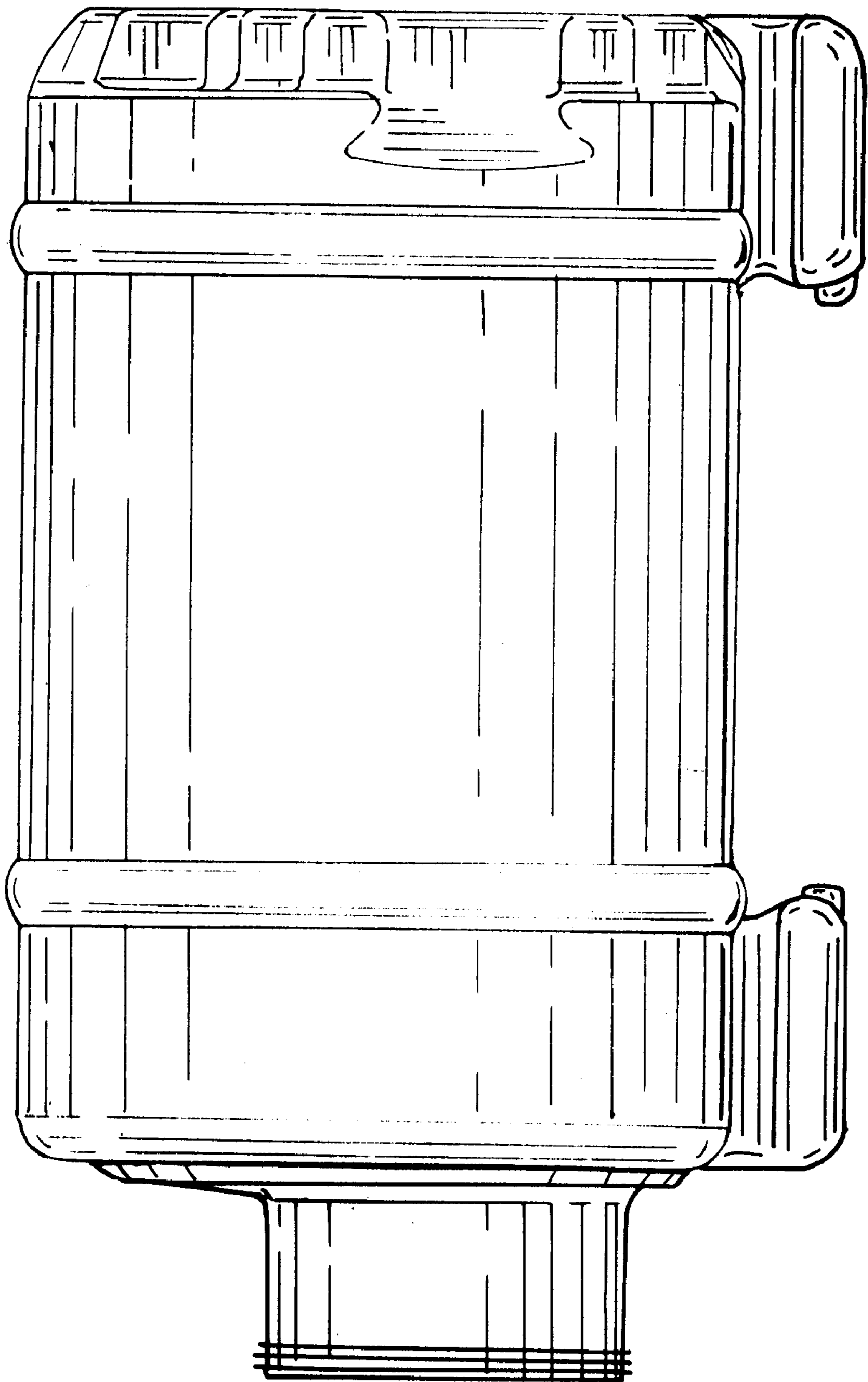


FIG. 6

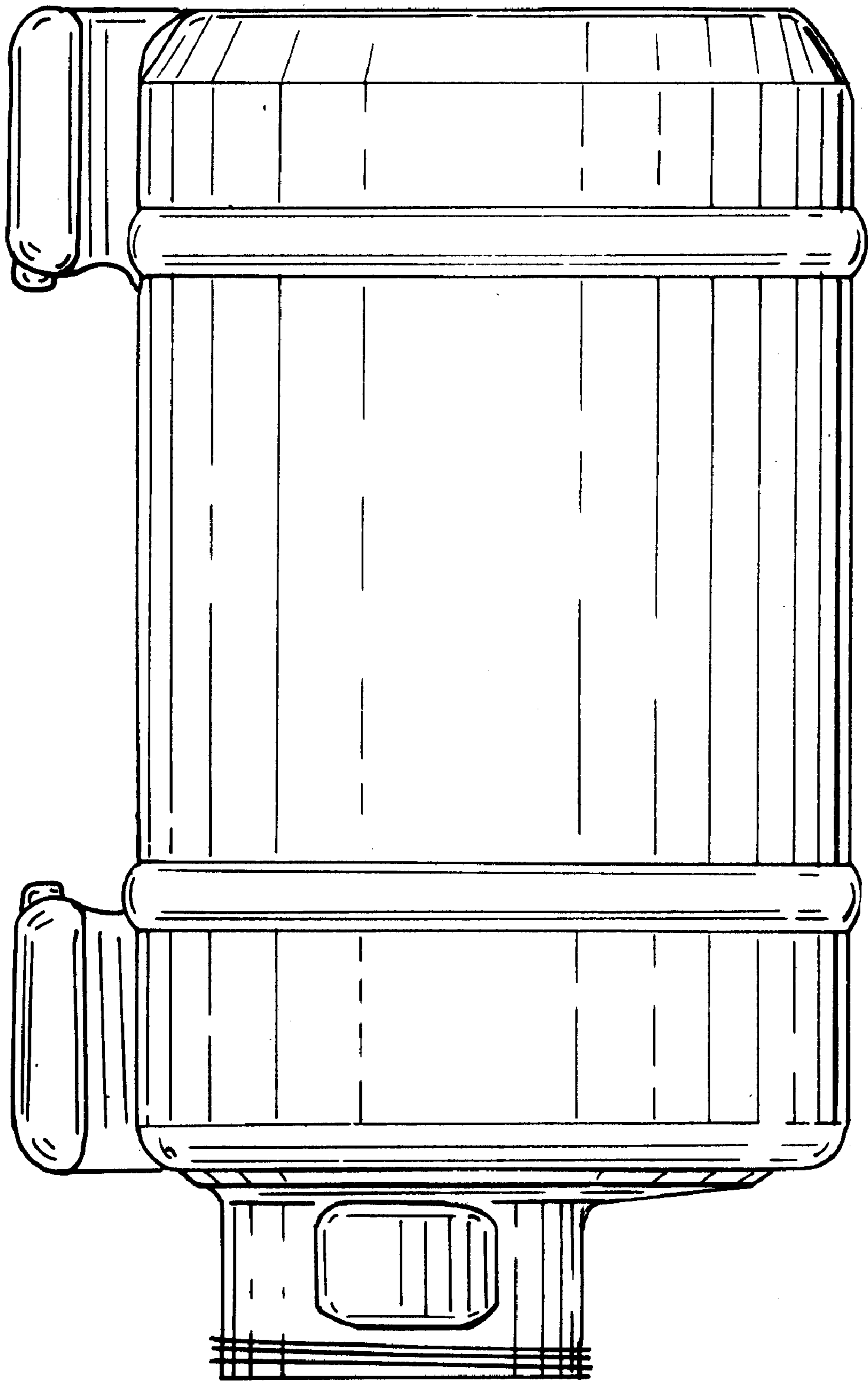


FIG. 7