



US00D443779S

(12) **United States Design Patent**  
**Moore**

(10) **Patent No.:** **US D443,779 S**

(45) **Date of Patent:** **\*\* Jun. 19, 2001**

(54) **SOAP DISH**

D. 329,560 \* 9/1992 Levien ..... D6/524  
D. 346,928 \* 5/1994 Shames et al. .... D6/540

(75) Inventor: **Glenn David Moore**, Newfoundland,  
NJ (US)

\* cited by examiner

(73) Assignee: **Melard Manufacturing Corp.**, Passaic,  
NJ (US)

*Primary Examiner*—Brian N. Vinson

(74) *Attorney, Agent, or Firm*—Edgar A. Zarins; Lloyd D.  
Doigan

(\*\*) Term: **14 Years**

(57) **CLAIM**

(21) Appl. No.: **29/122,648**

The ornamental design for a soap dish, as shown and  
described.

(22) Filed: **May 2, 2000**

**DESCRIPTION**

(51) **LOC (7) Cl.** ..... **23-02**

(52) **U.S. Cl.** ..... **D6/540**

(58) **Field of Search** ..... D6/536-540, 532,  
D6/524; D27/102, 104; 248/309.1; 206/77.1;  
211/13.1, 86.01, 88.01, 126.1, 126.5, 134

FIG. 1 is a front elevational view of a soap dish showing my  
new design;

FIG. 2 is a top plan view thereof;

FIG. 3 is a left side view thereof, the opposite side being a  
mirror image of the side shown;

FIG. 4 is a rear elevational view thereof;

FIG. 5 is a cross-sectional view taken along lines 5-5 of  
FIG. 2; and,

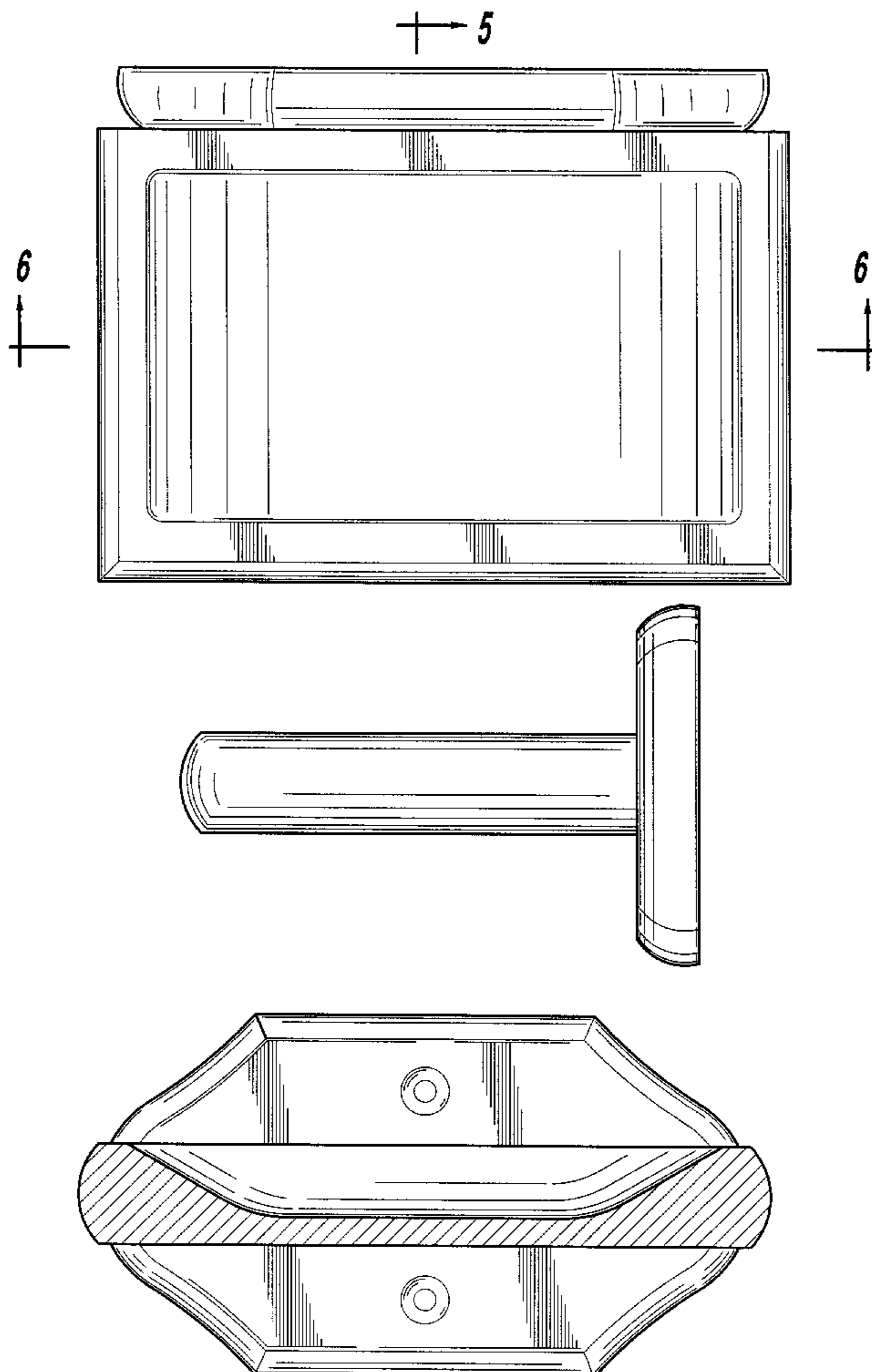
FIG. 6 is a cross-sectional view taken along lines 6-6 of  
FIG. 2.

(56) **References Cited**

**U.S. PATENT DOCUMENTS**

D. 241,199 \* 8/1976 Halsted et al. .... D6/540  
D. 267,603 \* 1/1983 Cohen ..... D6/540  
D. 314,485 \* 2/1991 Chap et al. .... D6/540

**1 Claim, 3 Drawing Sheets**



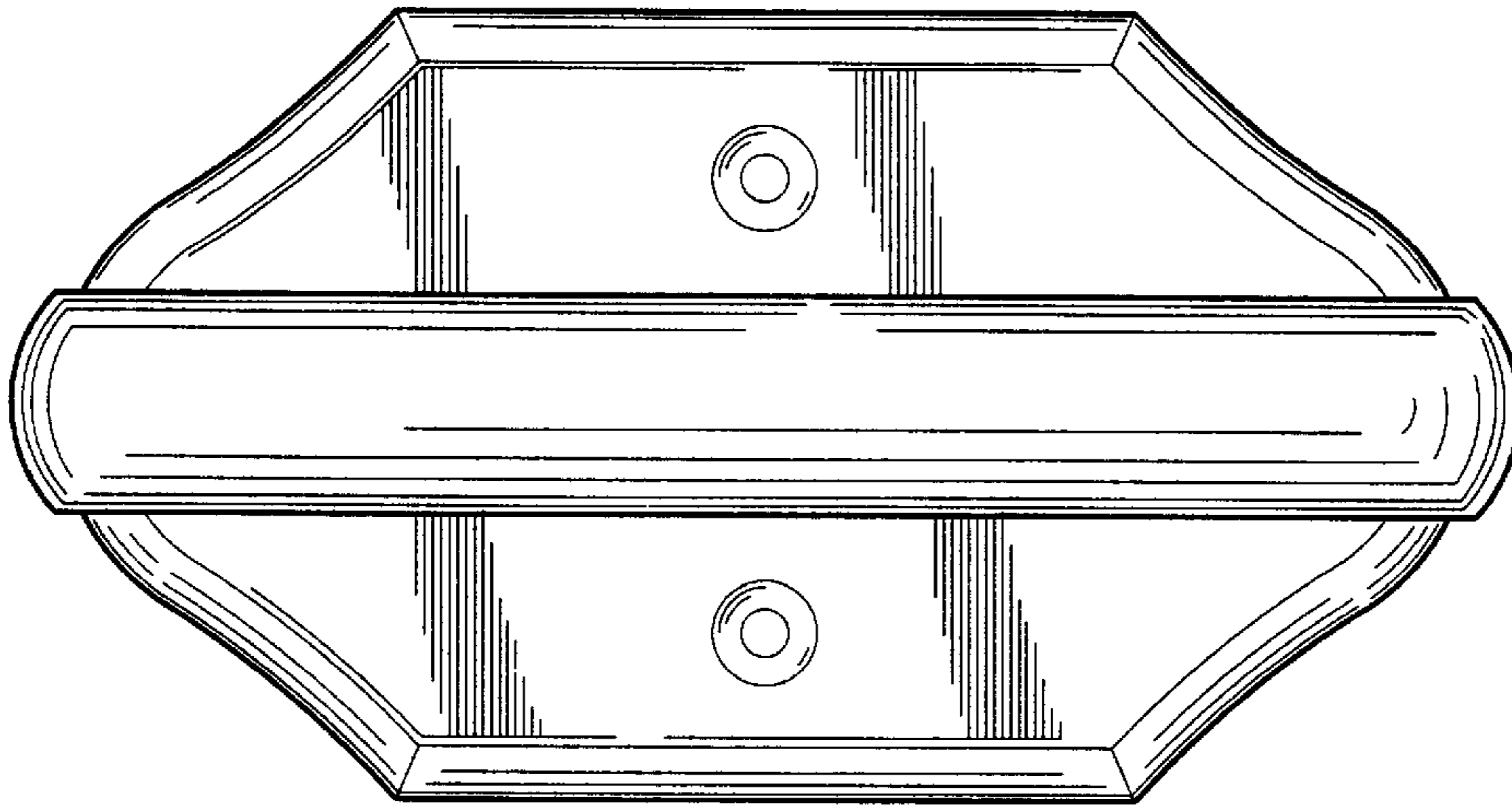


Figure - 1

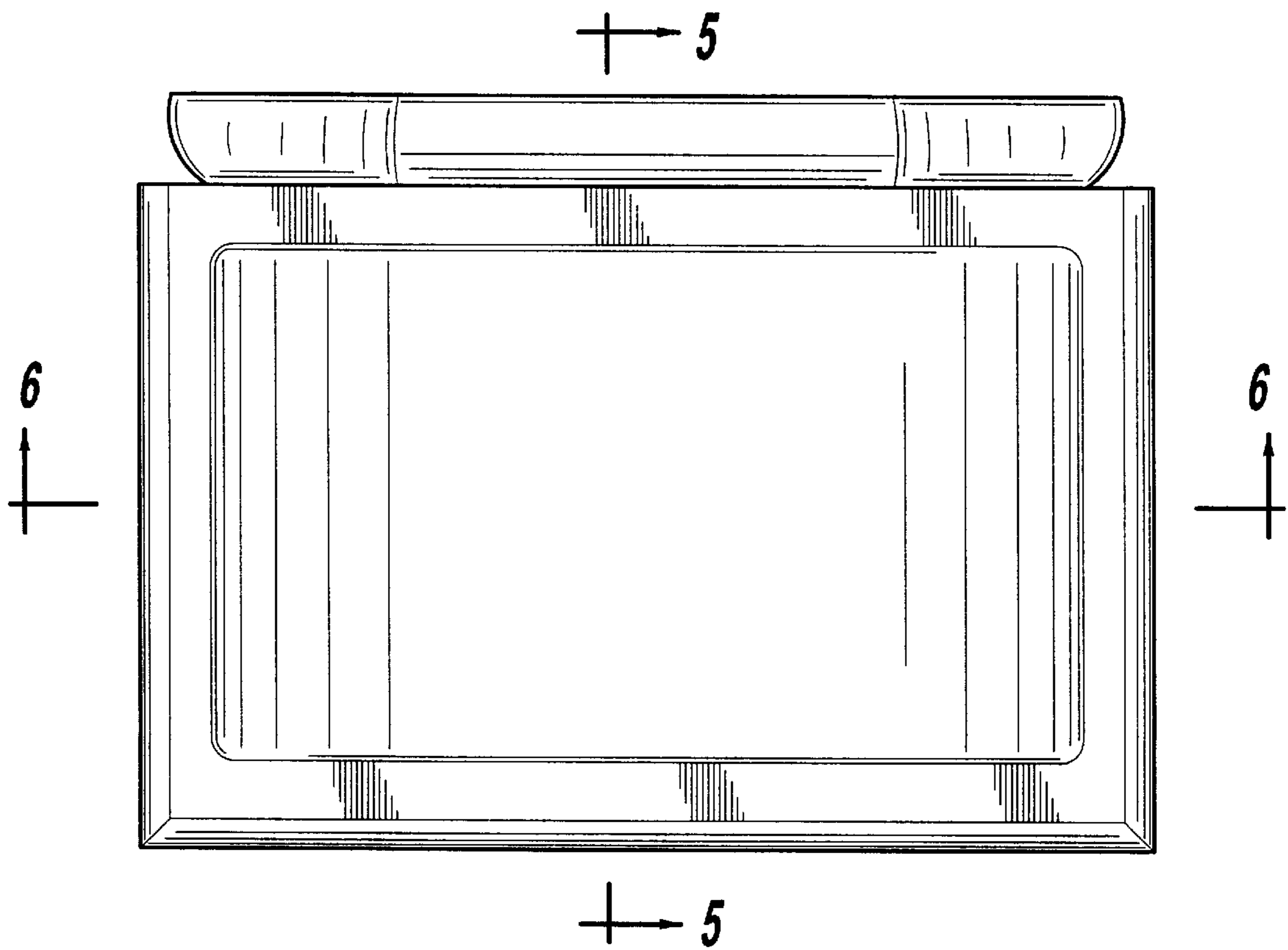


Figure - 2

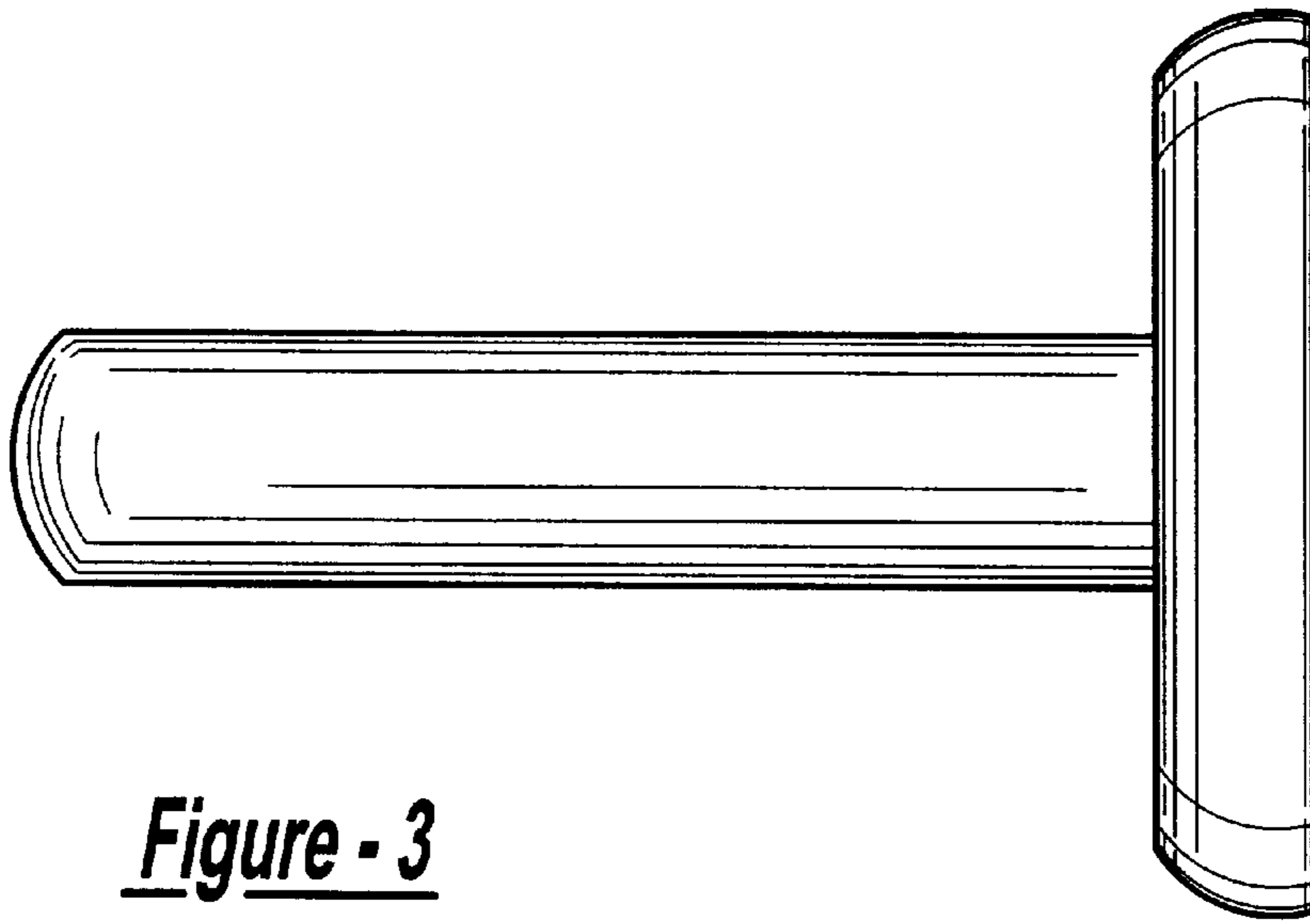


Figure - 3

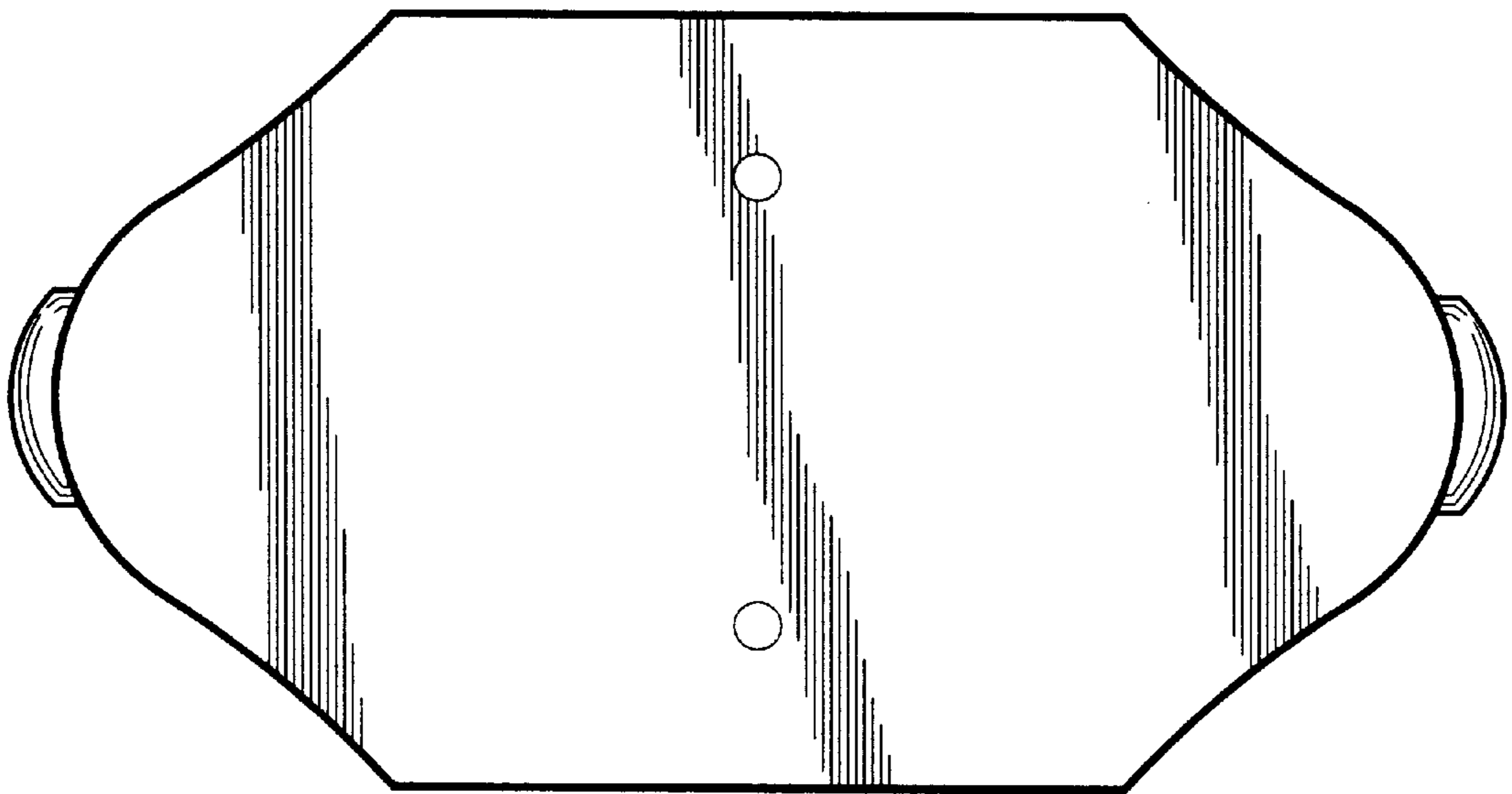


Figure - 4

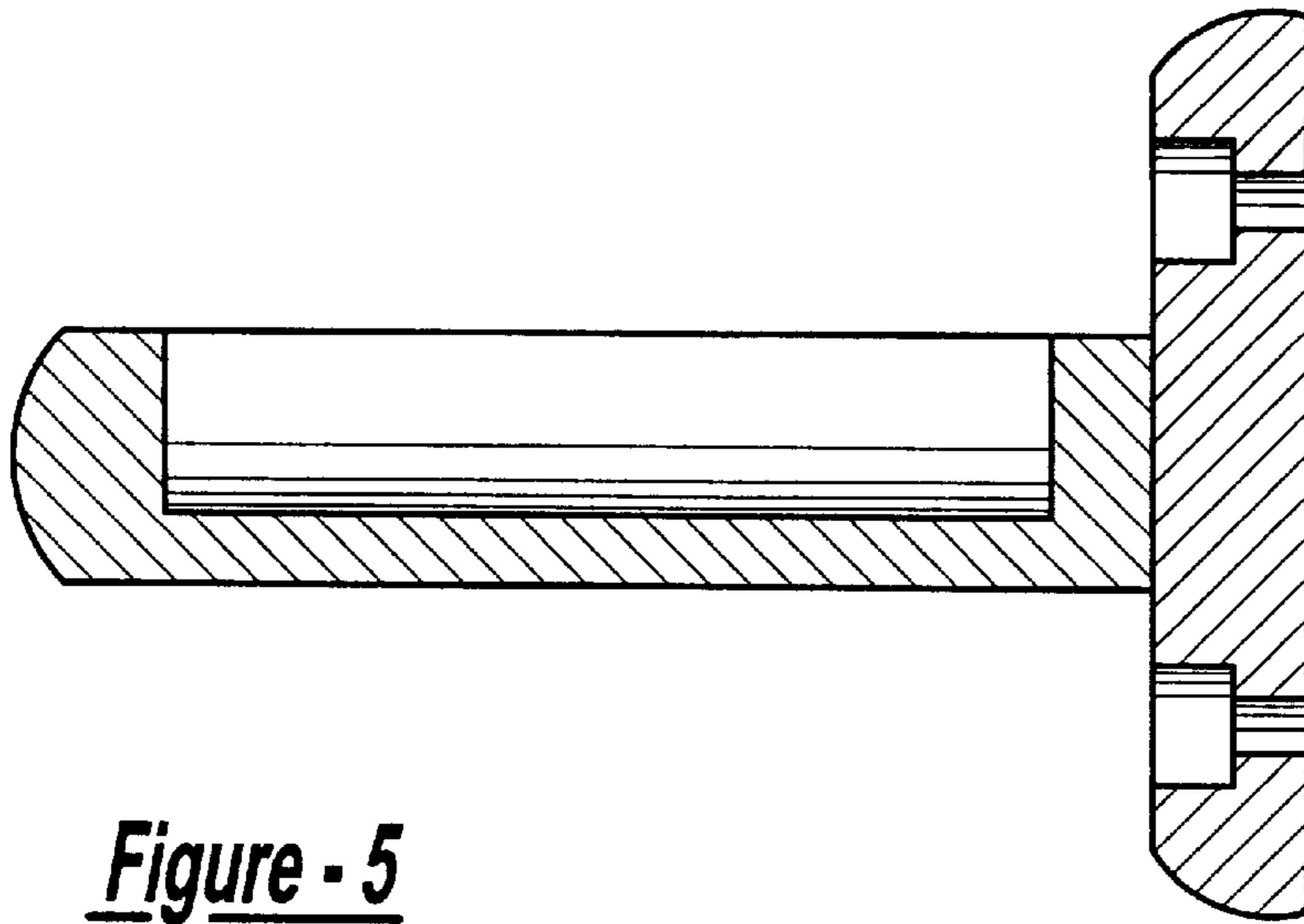


Figure - 5

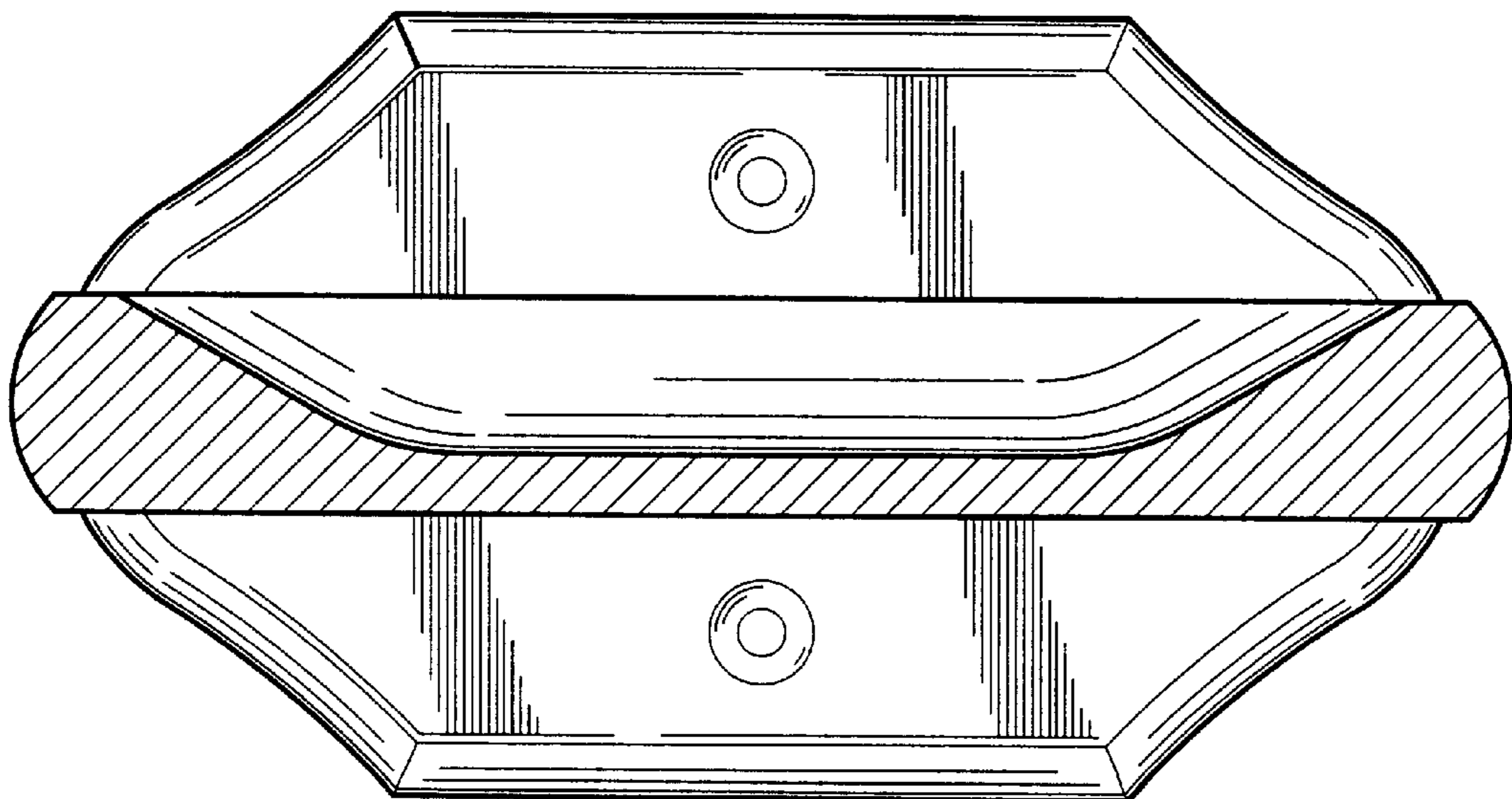


Figure - 6