



US00D443778S

(12) **United States Design Patent**
Andersson

(10) **Patent No.:** **US D443,778 S**

(45) **Date of Patent:** **** Jun. 19, 2001**

(54) **PAPER DISPENSER**

(75) Inventor: **Jerker Andersson, Göteborg (SE)**

(73) Assignee: **SCA Hygiene Products AB,**
Gothenburg (SE)

(**) Term: **14 Years**

(21) Appl. No.: **29/114,421**

(22) Filed: **Nov. 24, 1999**

(30) **Foreign Application Priority Data**

May 26, 1999 (SE) 99-0942
May 26, 1999 (SE) 99-0944
May 26, 1999 (SE) 99-0947

(51) **LOC (7) Cl.** **20-02**

(52) **U.S. Cl.** **D6/518**

(58) **Field of Search** D6/518, 521, 522,
D6/523; 206/389, 824; 221/26, 33, 282,
283; 242/570; 312/34.1, 34.4, 34.8

(56) **References Cited**

U.S. PATENT DOCUMENTS

D. 326,973 * 6/1992 Froidevaux D6/523
D. 336,581 * 6/1993 Parker D6/518
D. 337,680 * 7/1993 Guigliaro D6/518
D. 351,520 * 10/1994 Frazier et al. D6/523
D. 358,516 * 5/1995 Chen D6/523

* cited by examiner

Primary Examiner—Brian N. Vinson

(74) *Attorney, Agent, or Firm*—Burns, Doane, Swecker &
Mathis, L.L.P.

(57) **CLAIM**

The ornamental design for a paper dispenser, as shown and described.

DESCRIPTION

FIG. 1 is a front, side perspective view of a paper dispenser showing my new design;

FIG. 2 is a side perspective view thereof, with the casing portion being shown in an open position;

FIG. 3 is a rear perspective view of the casing portion of the paper dispenser shown in FIG. 1, with the wall mounting portion being removed for clarity;

FIG. 4 is a front, side perspective view of the wall mounting portion of the paper dispenser shown in FIG. 1, with the casing portion being removed for clarity;

FIG. 5 is a bottom perspective view thereof;

FIG. 6 is a top perspective view thereof;

FIG. 7 is a rear perspective view thereof;

FIG. 8 is a front, side perspective of a paper dispenser showing a second embodiment of my new design;

FIG. 9 is a front, side perspective view thereof, with the casing portion being shown in an open position;

FIG. 10 is a rear perspective view of the casing portion of the paper dispenser shown in FIG. 8, with the wall mounting portion being removed for clarity;

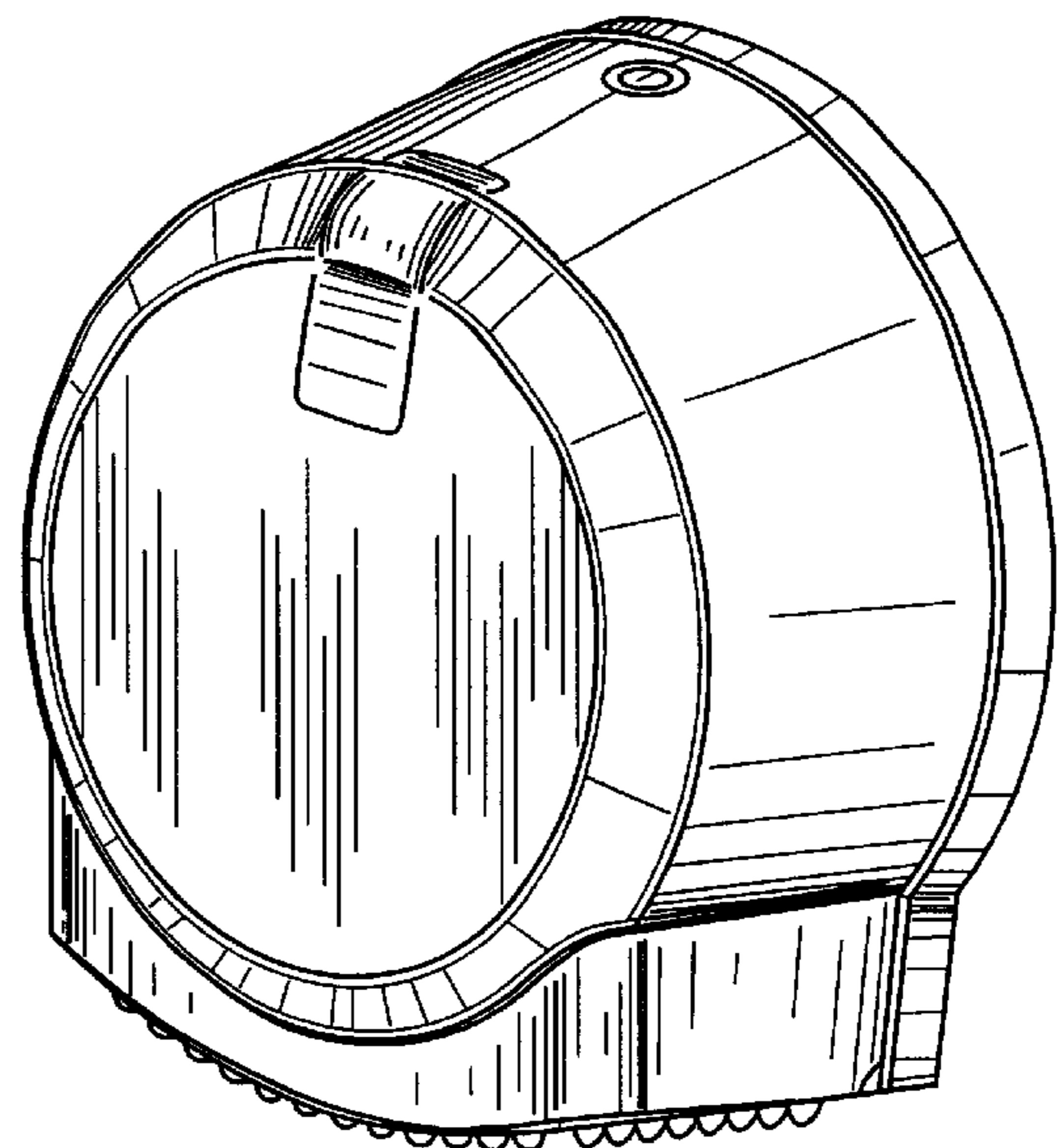
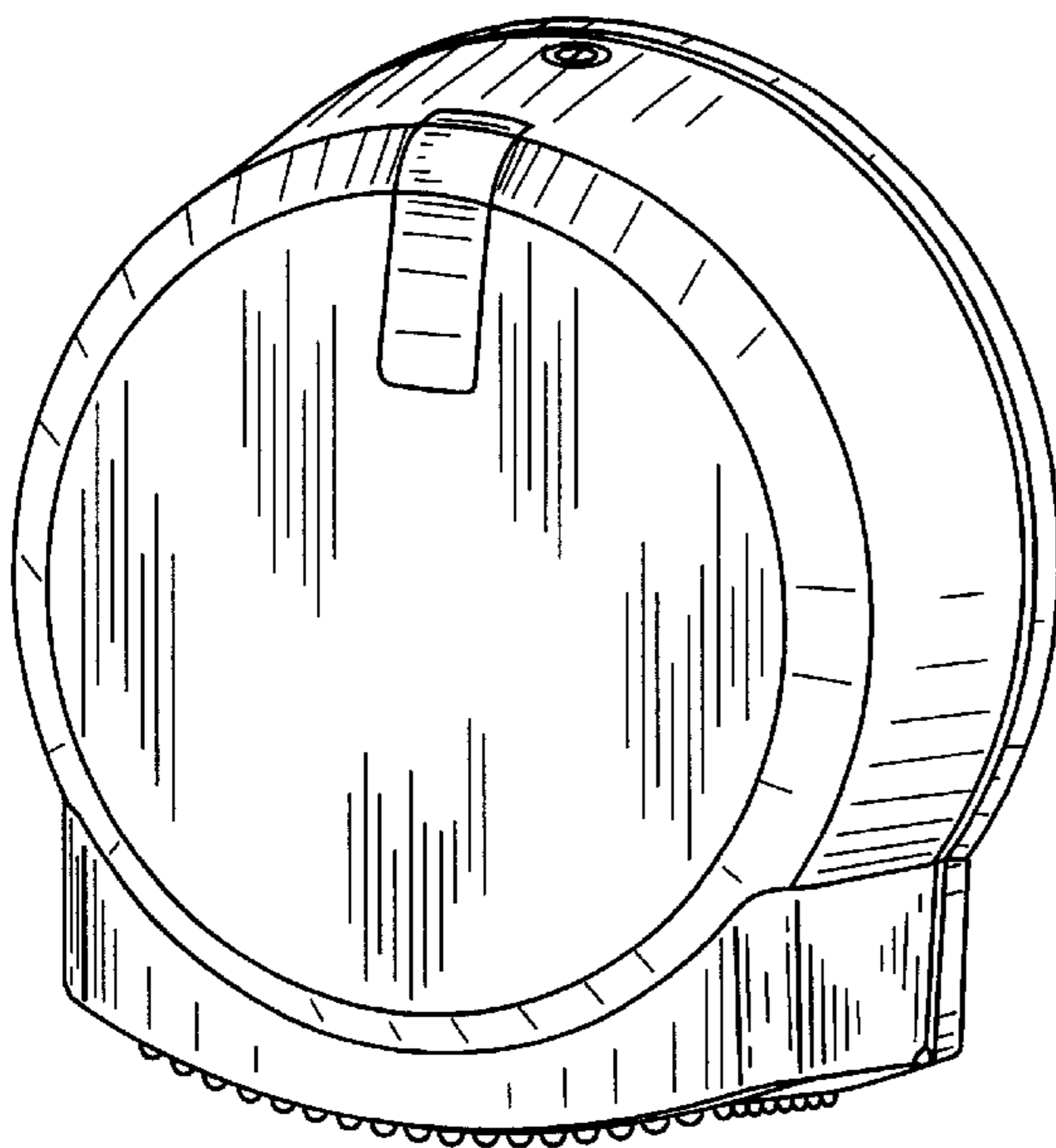
FIG. 11 is a front, side perspective view of the wall mounting portion of the dispenser shown in FIG. 8, with the casing portion being removed for clarity;

FIG. 12 is a bottom perspective view thereof;

FIG. 13 is a top perspective view thereof; and,

FIG. 14 is a rear perspective view thereof.

1 Claim, 7 Drawing Sheets



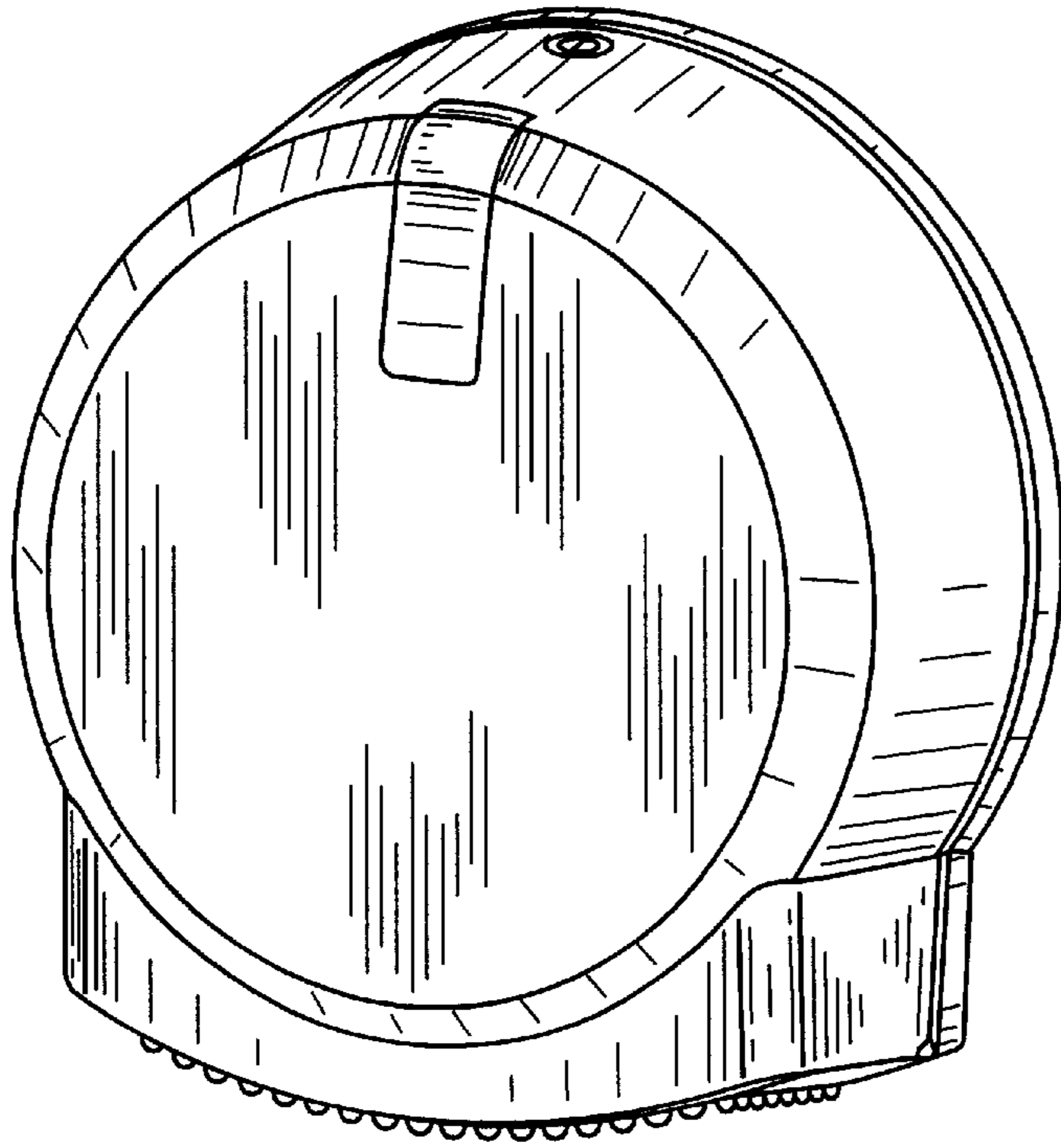
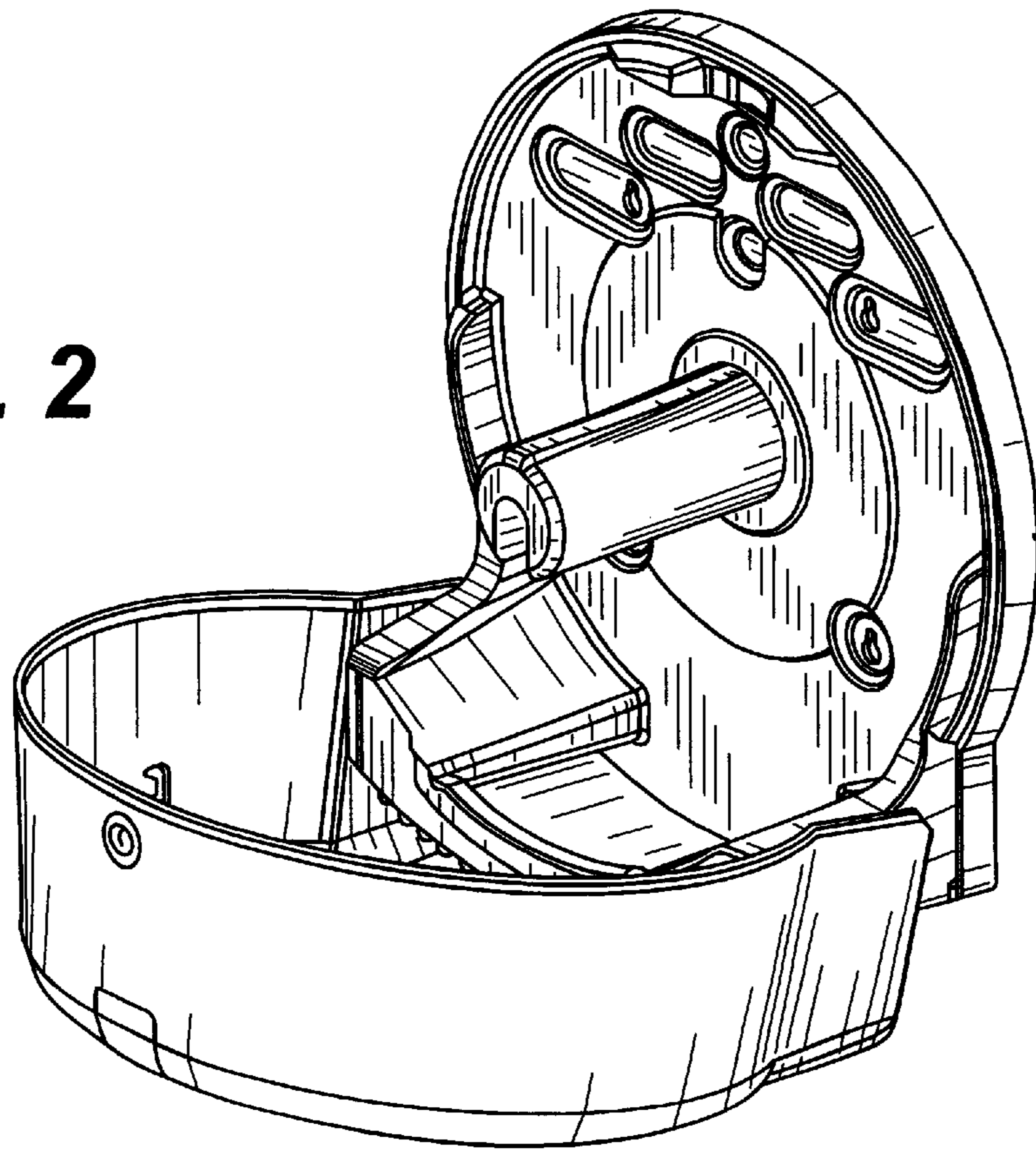


FIG. 1

FIG. 2



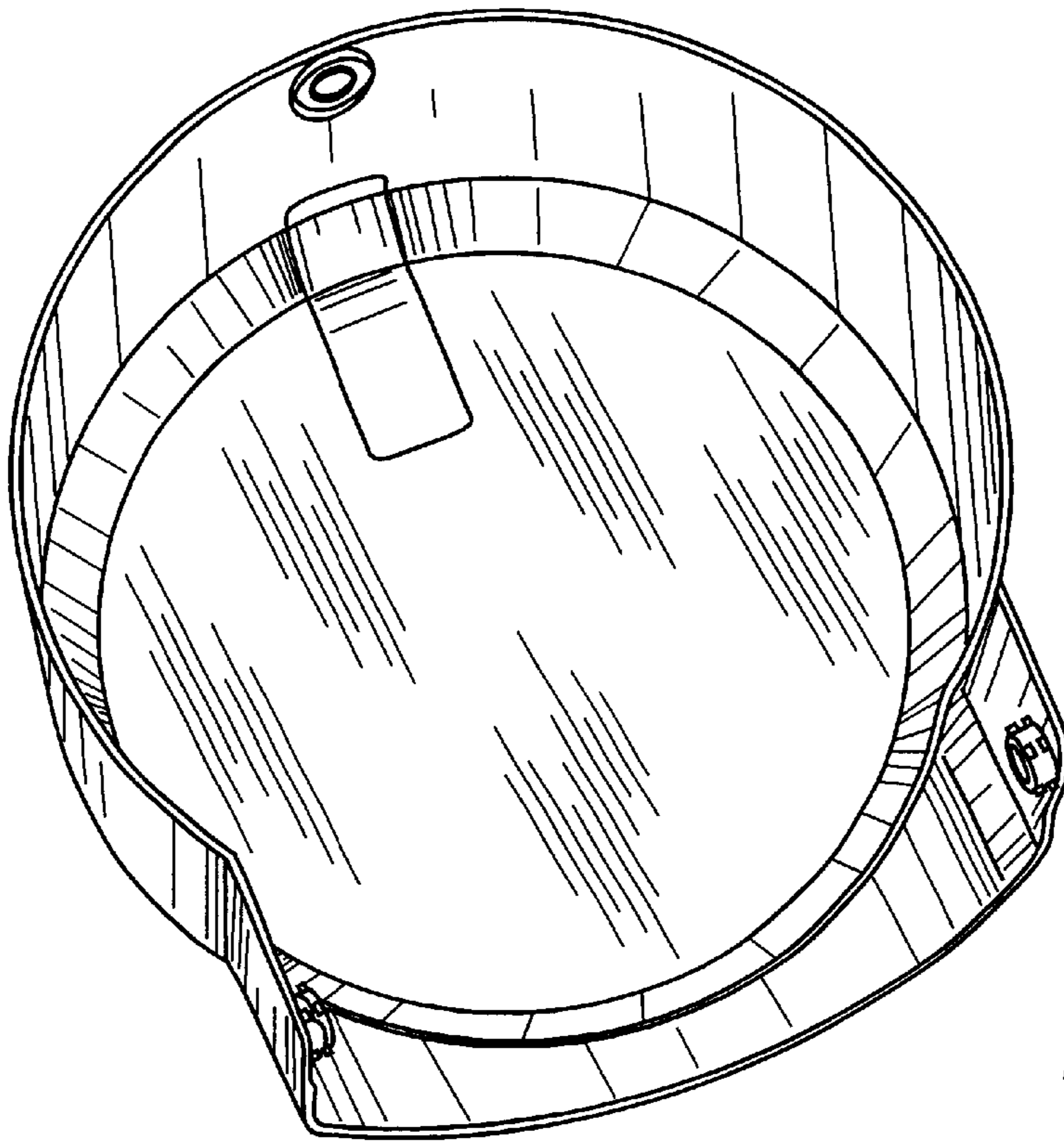
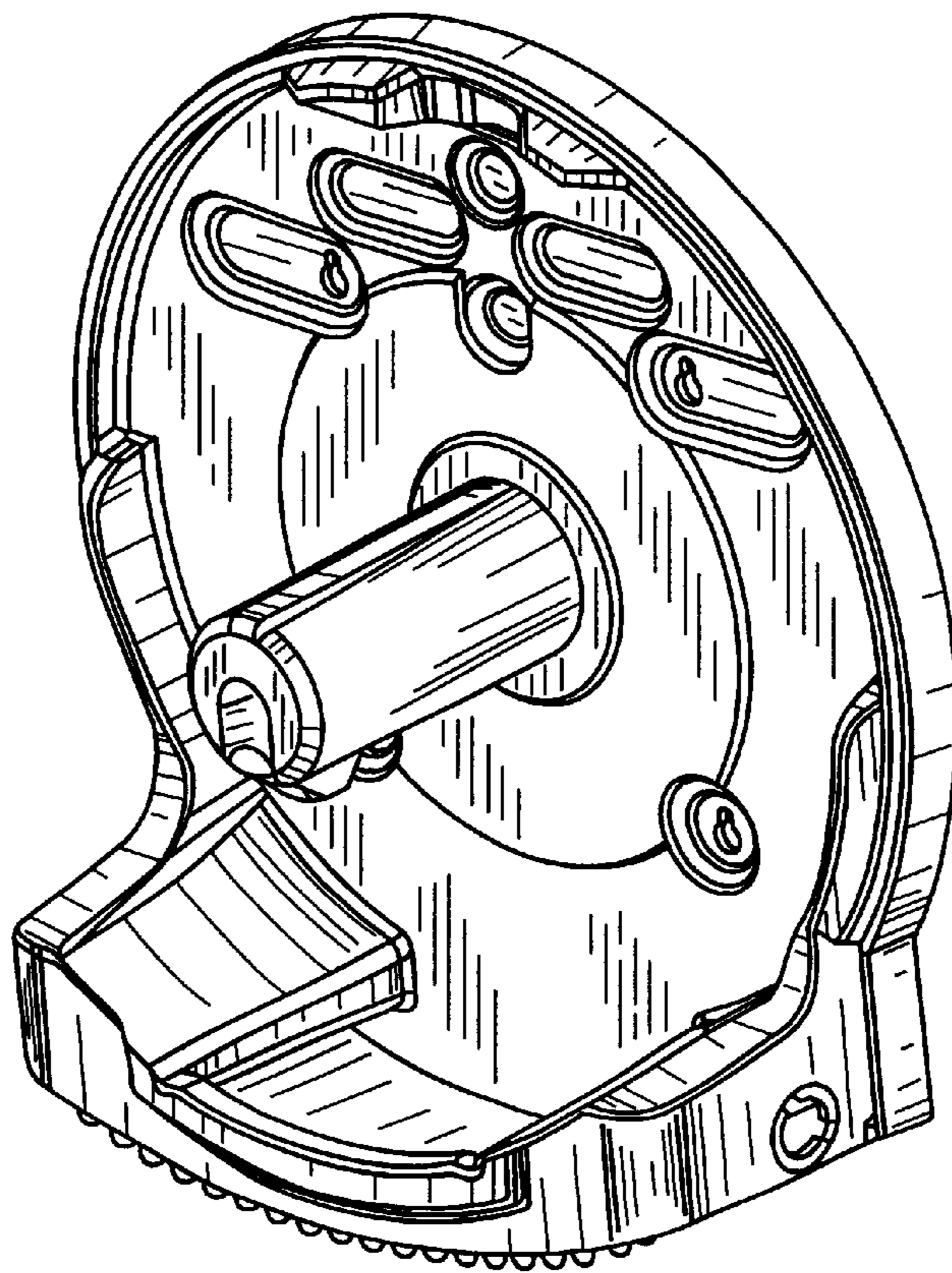


FIG. 3

FIG. 4



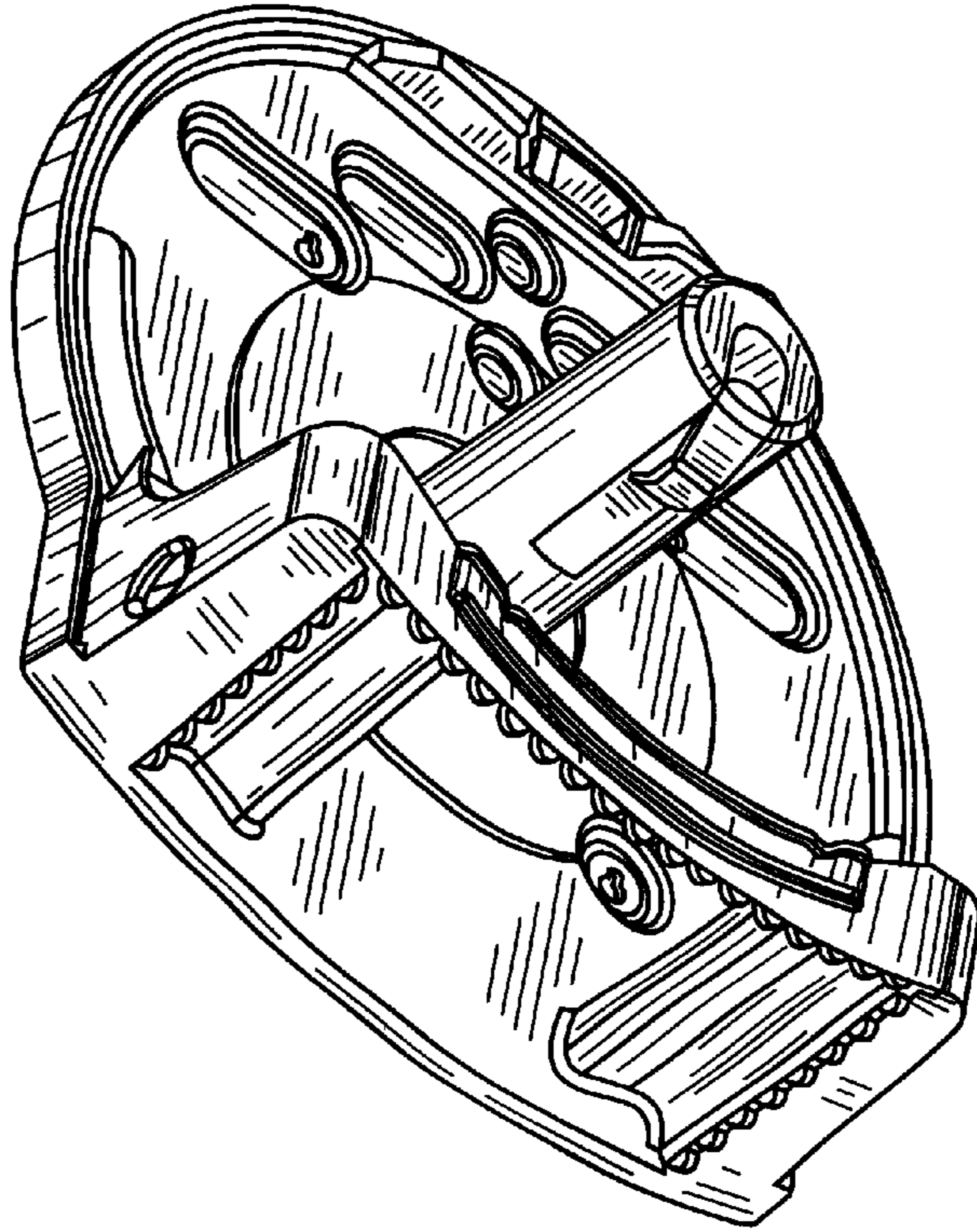


FIG. 5

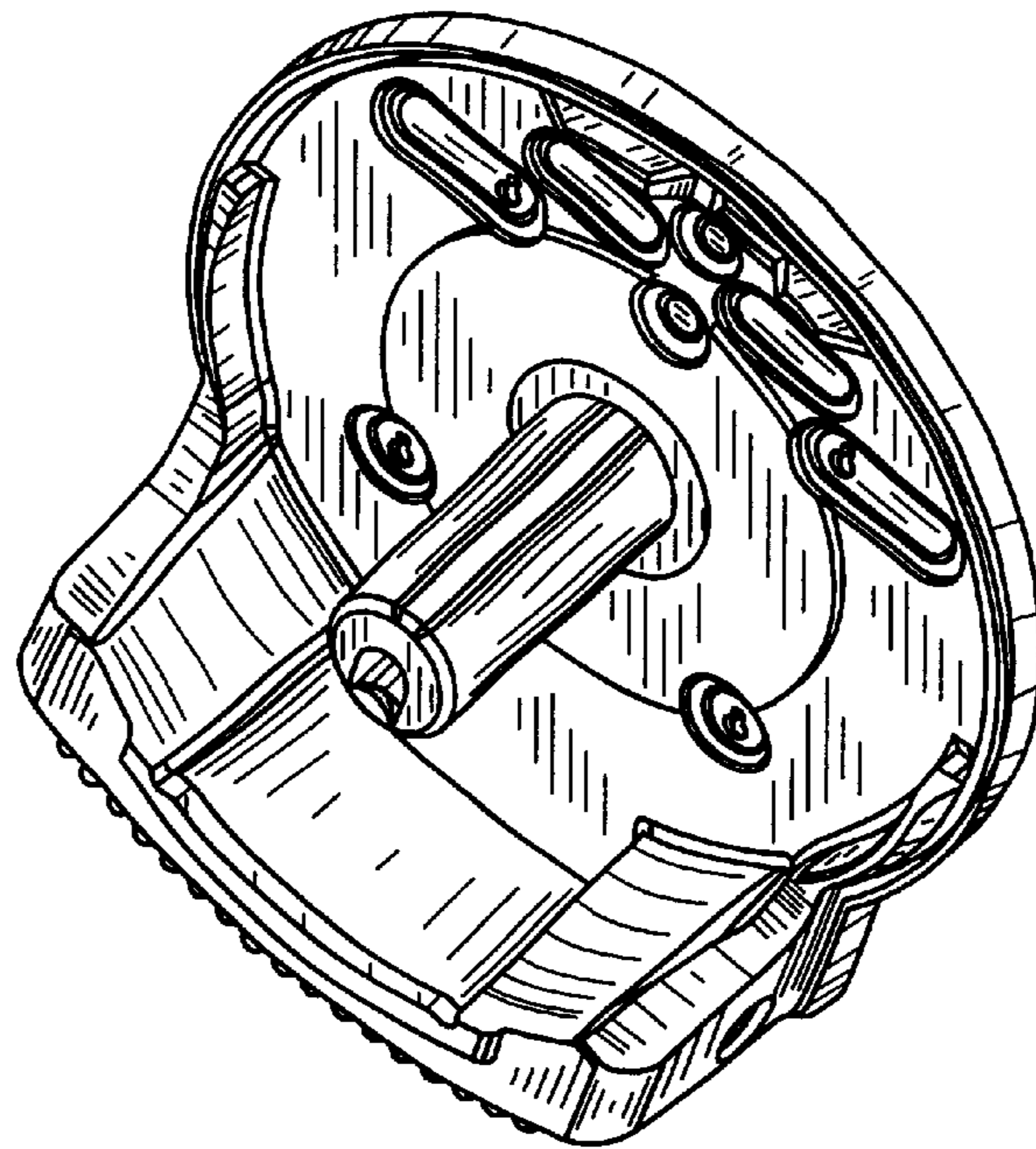


FIG. 6

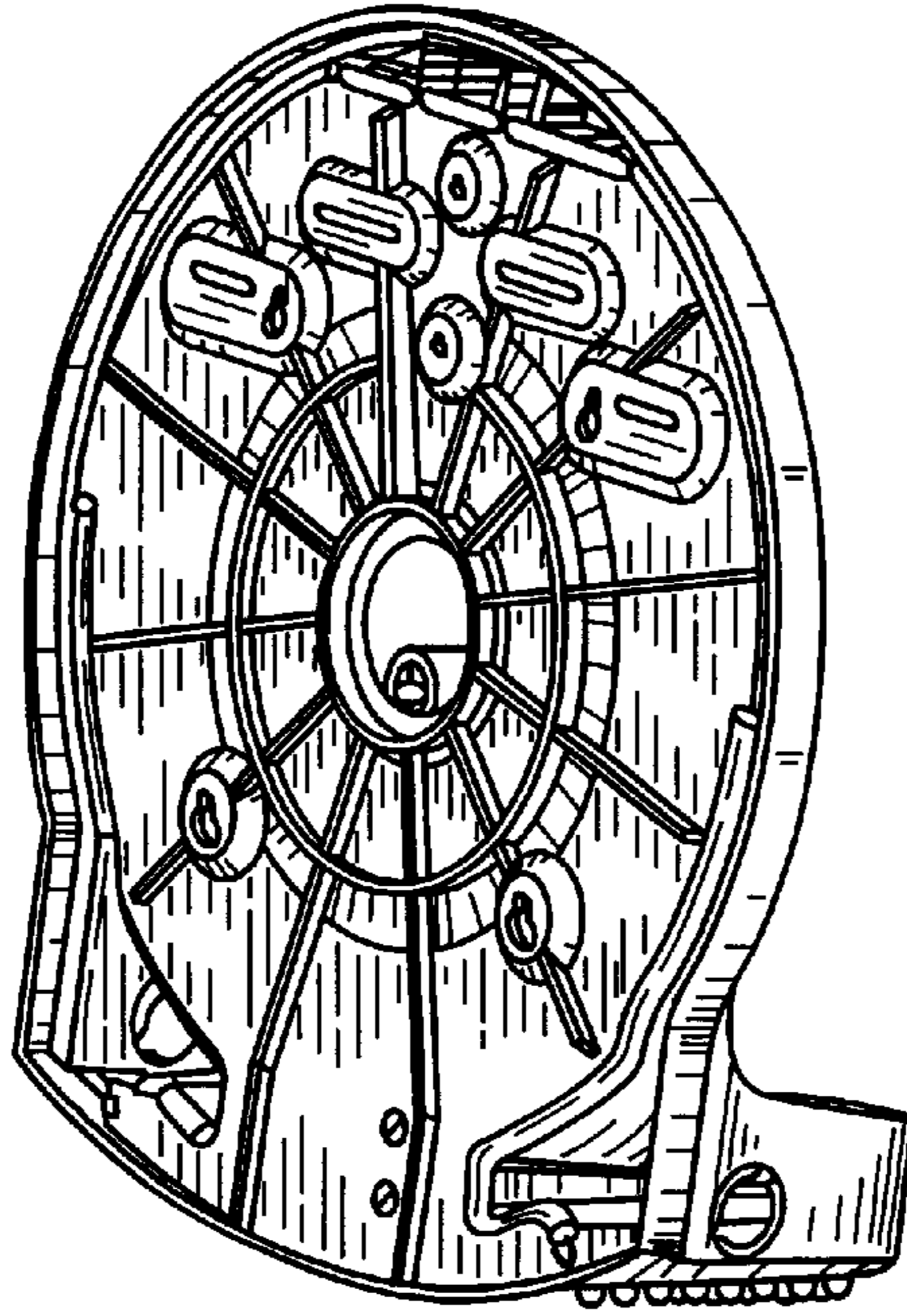


FIG. 7

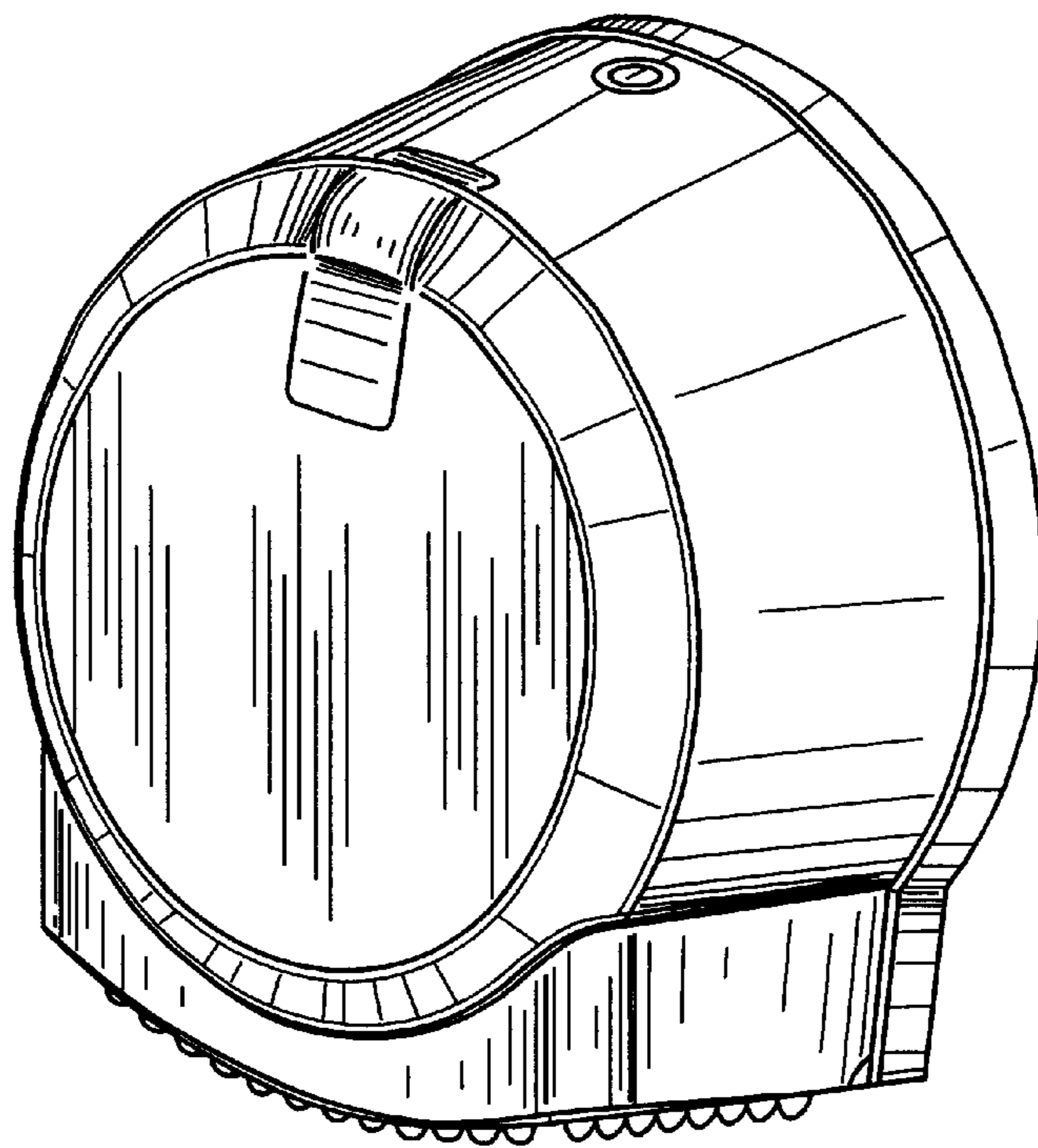


FIG. 8

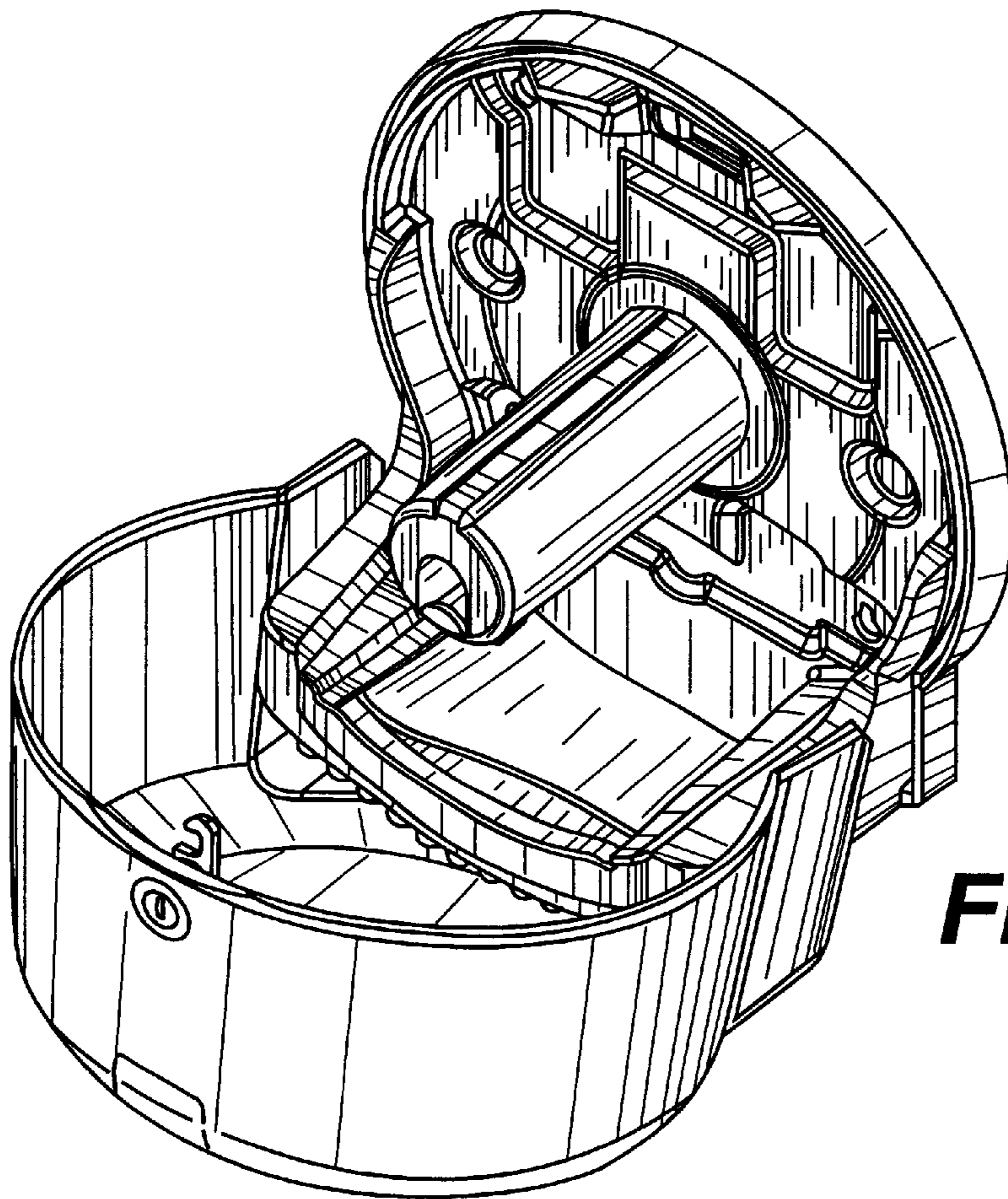
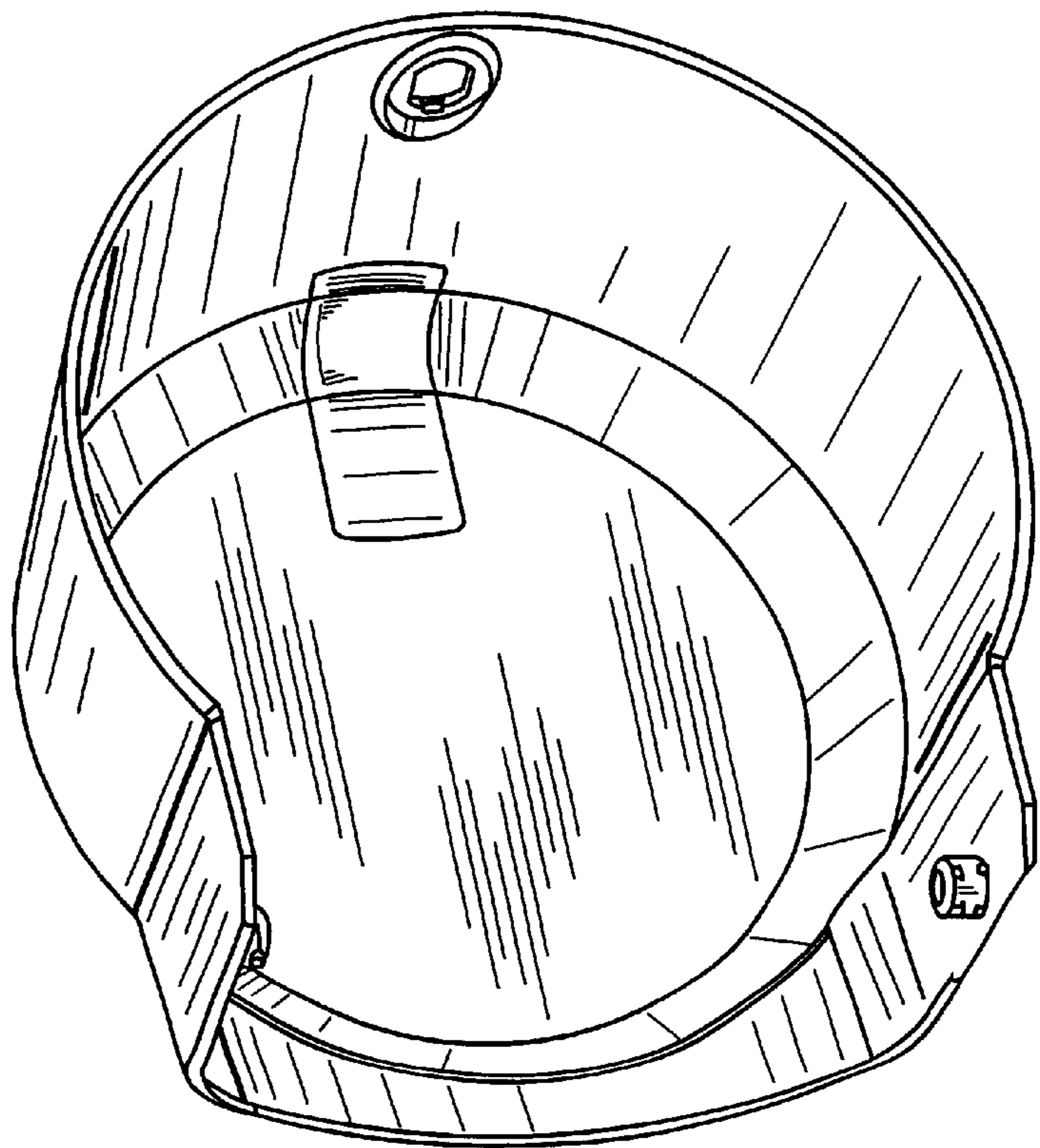


FIG. 9

FIG. 10



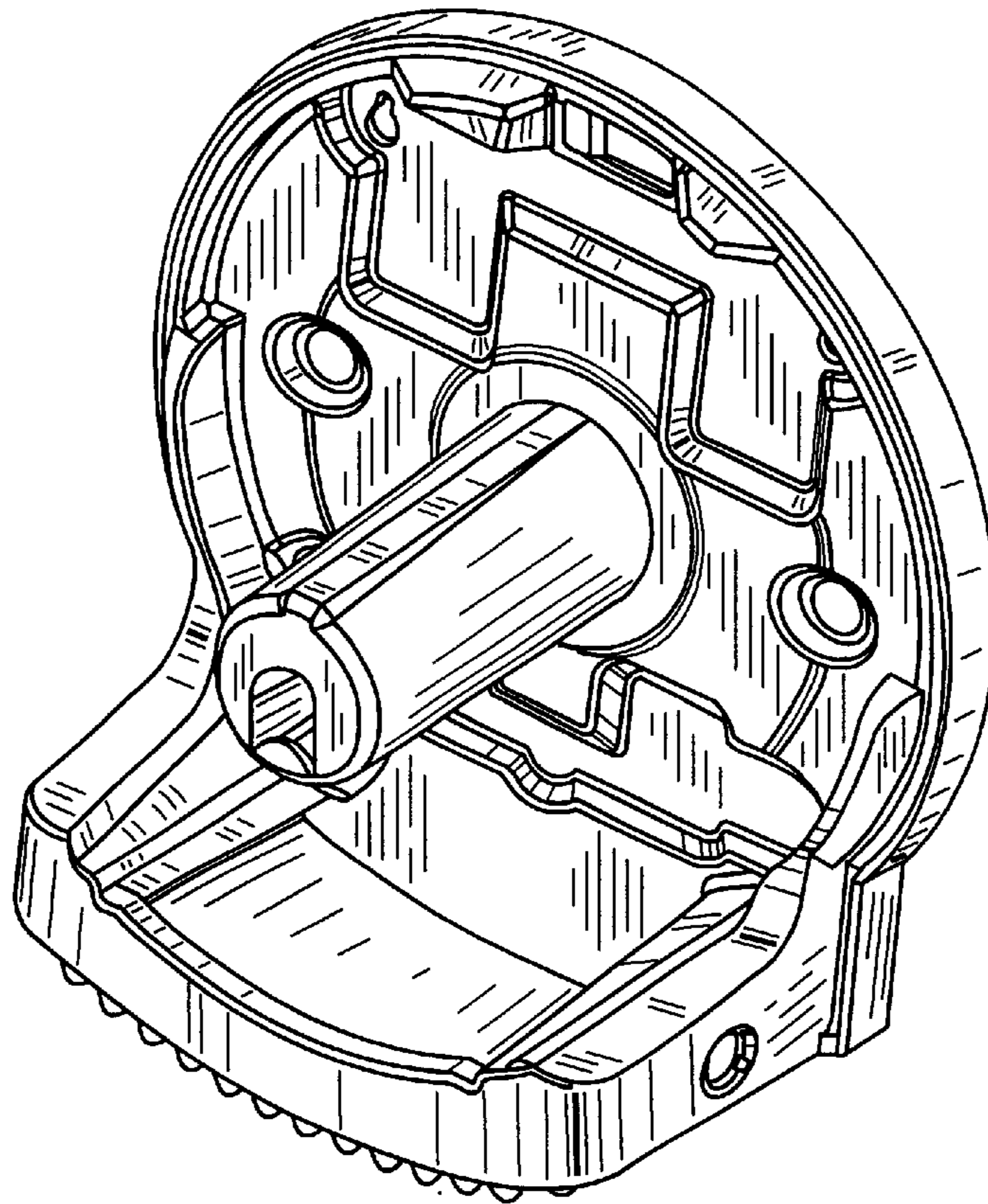


FIG. 11

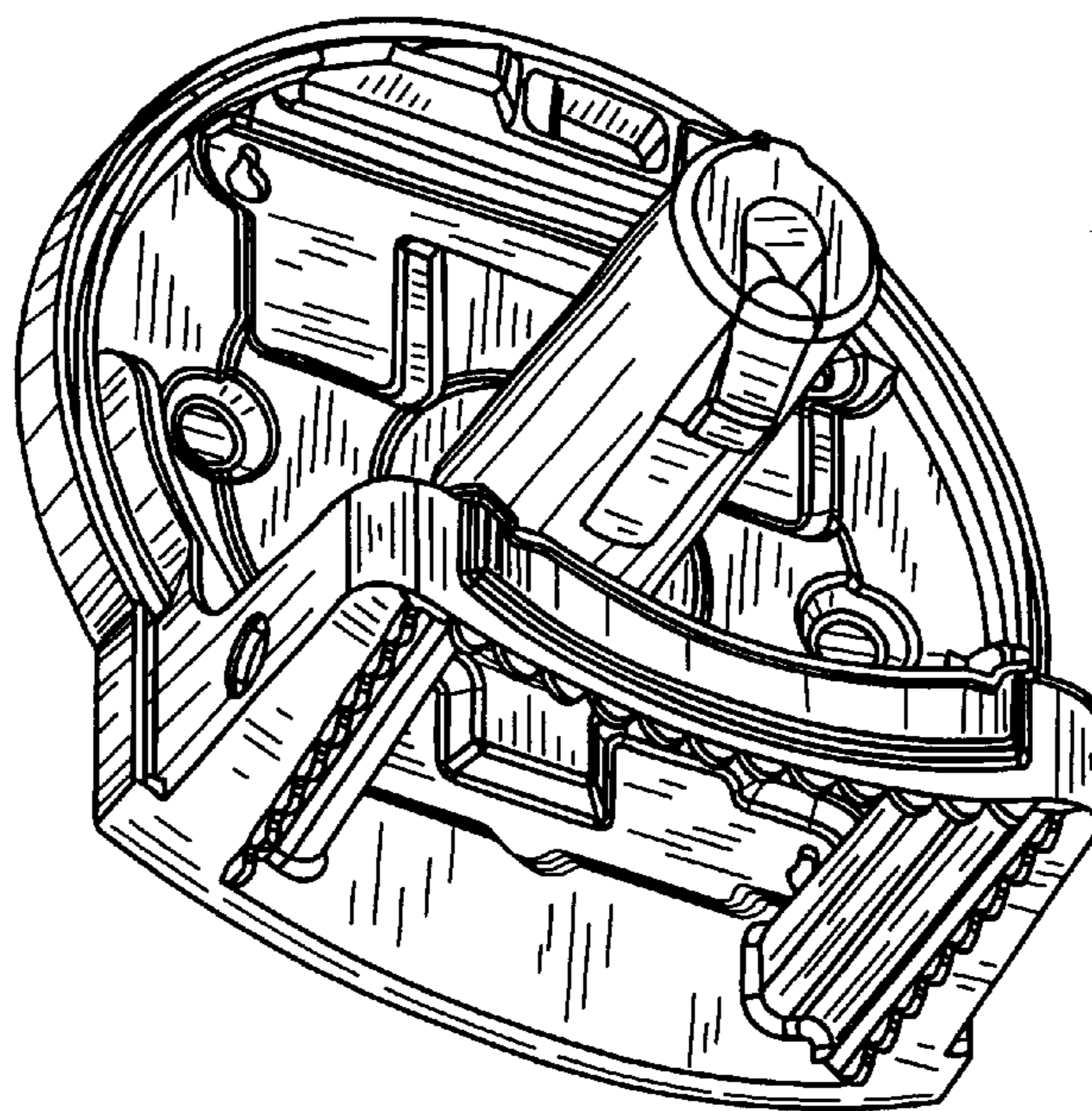


FIG. 12

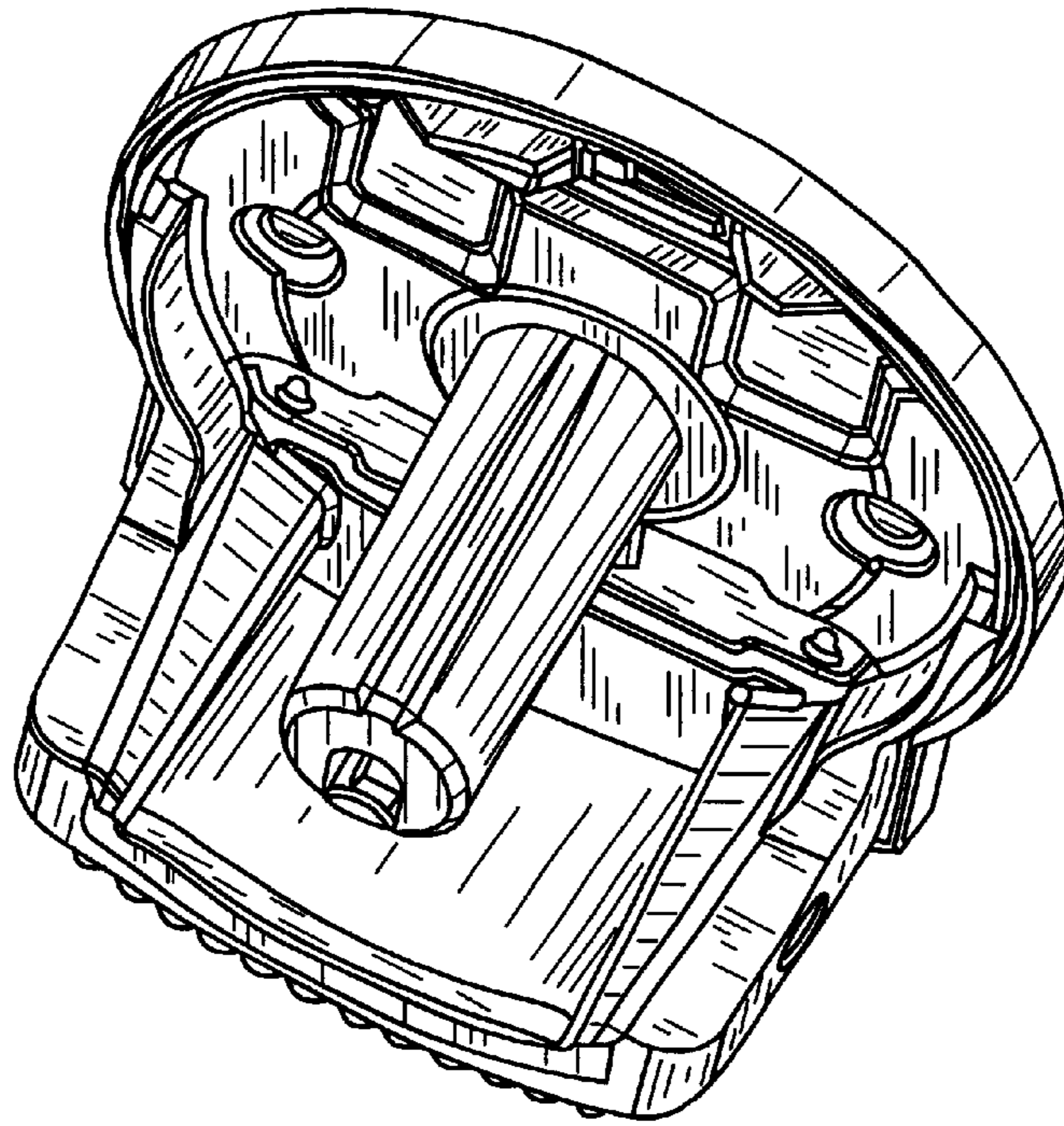


FIG. 13

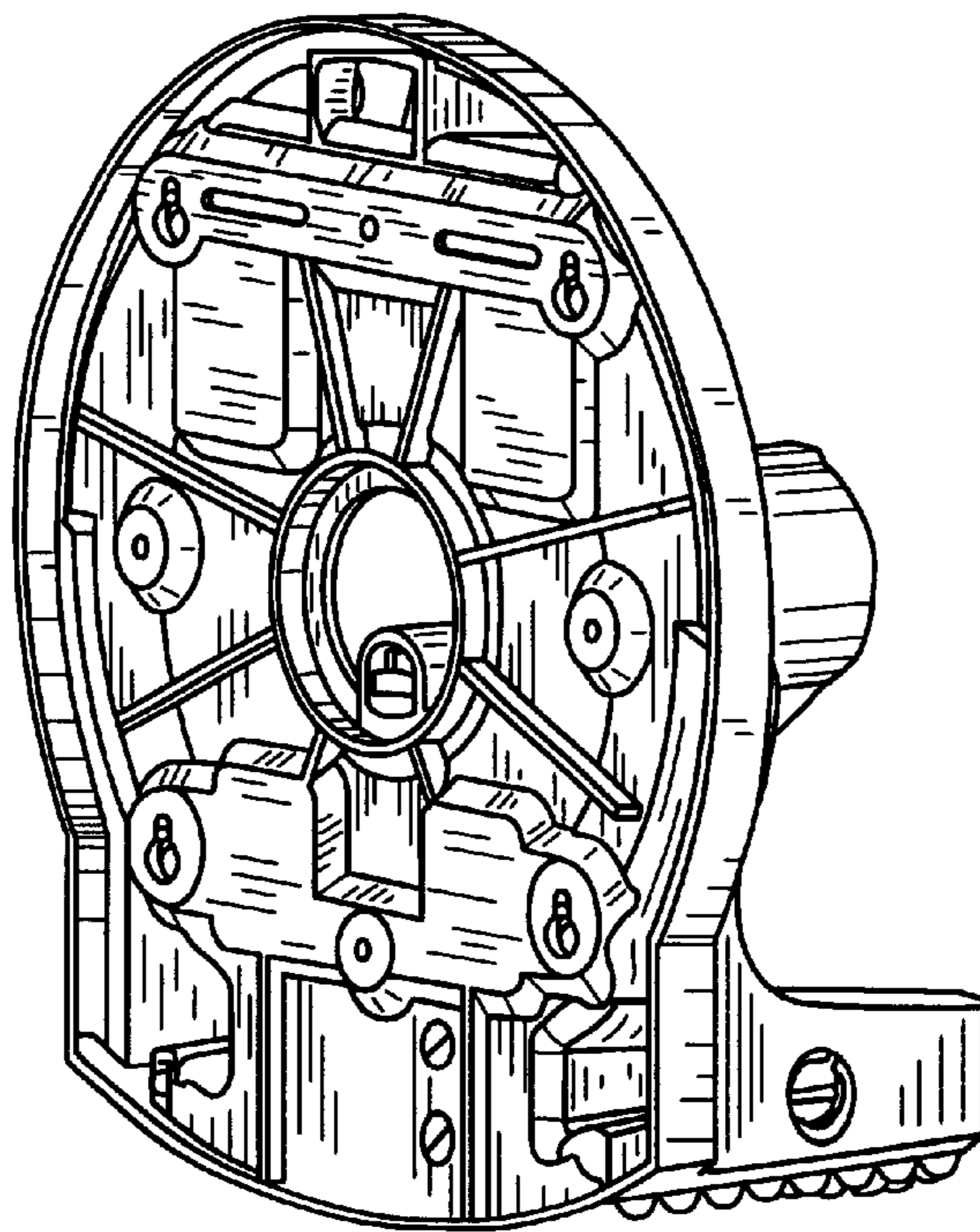


FIG. 14