



US00D443777S

(12) **United States Design Patent**
Flannery et al.

(10) **Patent No.:** **US D443,777 S**

(45) **Date of Patent:** **** Jun. 19, 2001**

(54) **HIGH CHAIR TRAY**

(75) Inventors: **Mark A. Flannery**, Shorewood;
Timothy L. Edwards, Minneapolis,
both of MN (US); **Danial E. Julian**,
Berthoud, CO (US)

(73) Assignee: **Regalo International, LLC**, Plymouth,
MN (US)

(**) Term: **14 Years**

(21) Appl. No.: **29/131,735**

(22) Filed: **Oct. 27, 2000**

(51) **LOC (7) Cl.** **06-06**

(52) **U.S. Cl.** **D6/500**

(58) **Field of Search** D6/333, 335, 336,
D6/338, 339, 500, 501, 502; D7/553.1,
553.2, 553.5; 297/130, 135, 148-154, 174,
250.1

(56) **References Cited**

U.S. PATENT DOCUMENTS

D. 137,442	*	3/1944	Nordby	D6/511
D. 148,187	*	12/1947	Renaud	D6/339
D. 356,689	*	3/1995	Mariol	D6/333
D. 358,730	*	5/1995	Meeker et al.	D6/511
D. 409,026	*	5/1999	Rosko et al.	D6/511
D. 419,311	*	1/2000	Maggeni et al.	D6/333

D. 426,965	*	6/2000	Wu	D6/339
D. 427,462	*	7/2000	Boney	D6/500
D. 427,822	*	7/2000	Greger	D6/500
D. 428,715	*	8/2000	Brevi	D6/339
1,182,938	*	5/1916	Snideman	297/153
1,361,505	*	12/1920	Snideman	297/153
3,146,738	*	9/1964	Telarico	297/148
5,527,090	*	6/1996	Cone, II	297/153
5,810,432	*	9/1998	Haut et al.	297/153
5,823,615	*	10/1998	Haut	297/153
6,126,236		10/2000	Wu	.	

* cited by examiner

Primary Examiner—Doris V. Coles

Assistant Examiner—Mimosa De

(57) **CLAIM**

We claim the ornamental design for high chair tray, as shown and described.

DESCRIPTION

FIG. 1 is a perspective view of the high chair tray of the present invention.

FIG. 2 is a top view of the high chair tray of FIG. 1.

FIG. 3 is a bottom view of the high chair tray of FIG. 1.

FIG. 4 is a front view of the high chair tray of FIG. 1.

FIG. 5 is a rear view of the high chair tray of FIG. 1; and,

FIG. 6 is a right side view of the high chair tray of FIG. 1, the left side view being a mirror image of that shown.

1 Claim, 4 Drawing Sheets

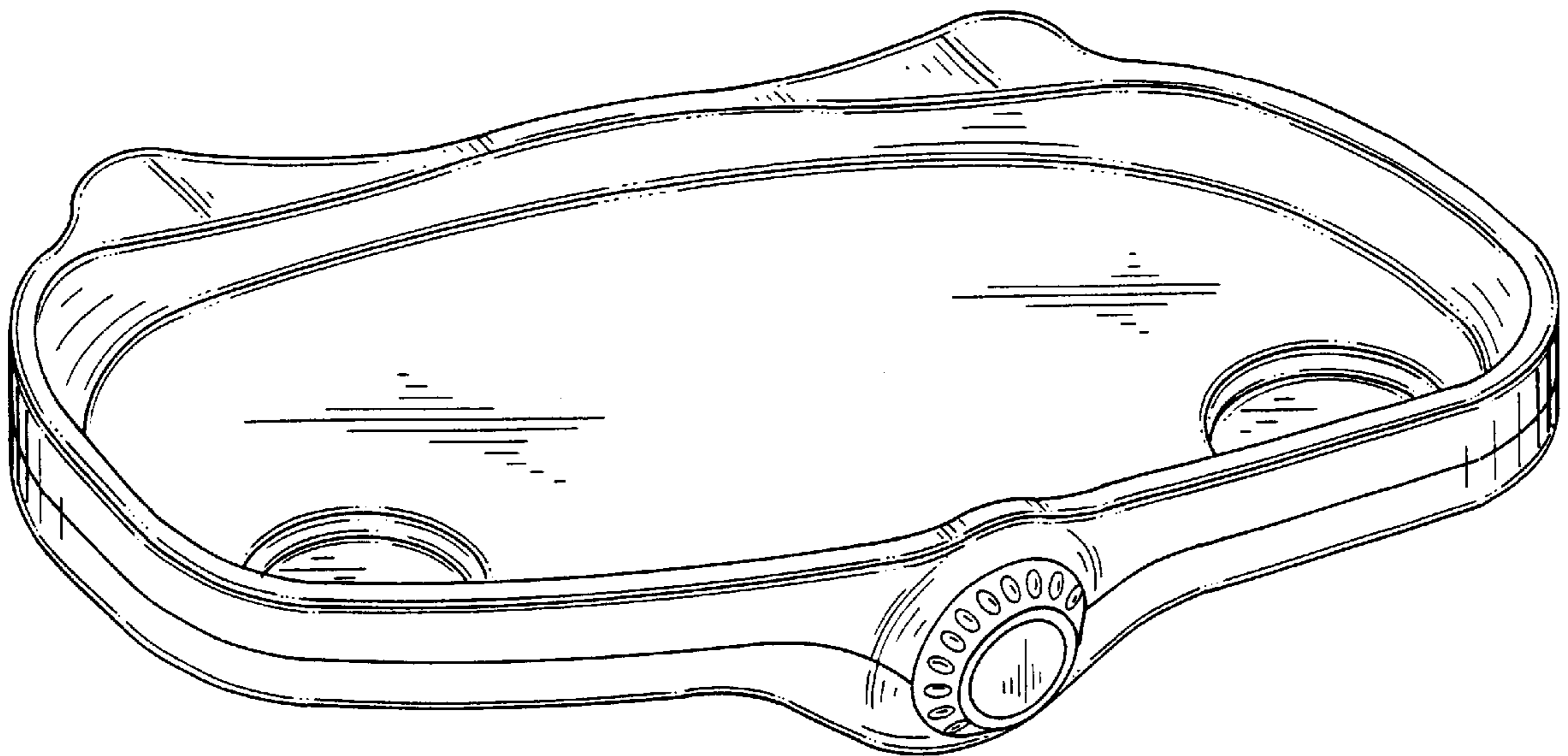


Fig. -1

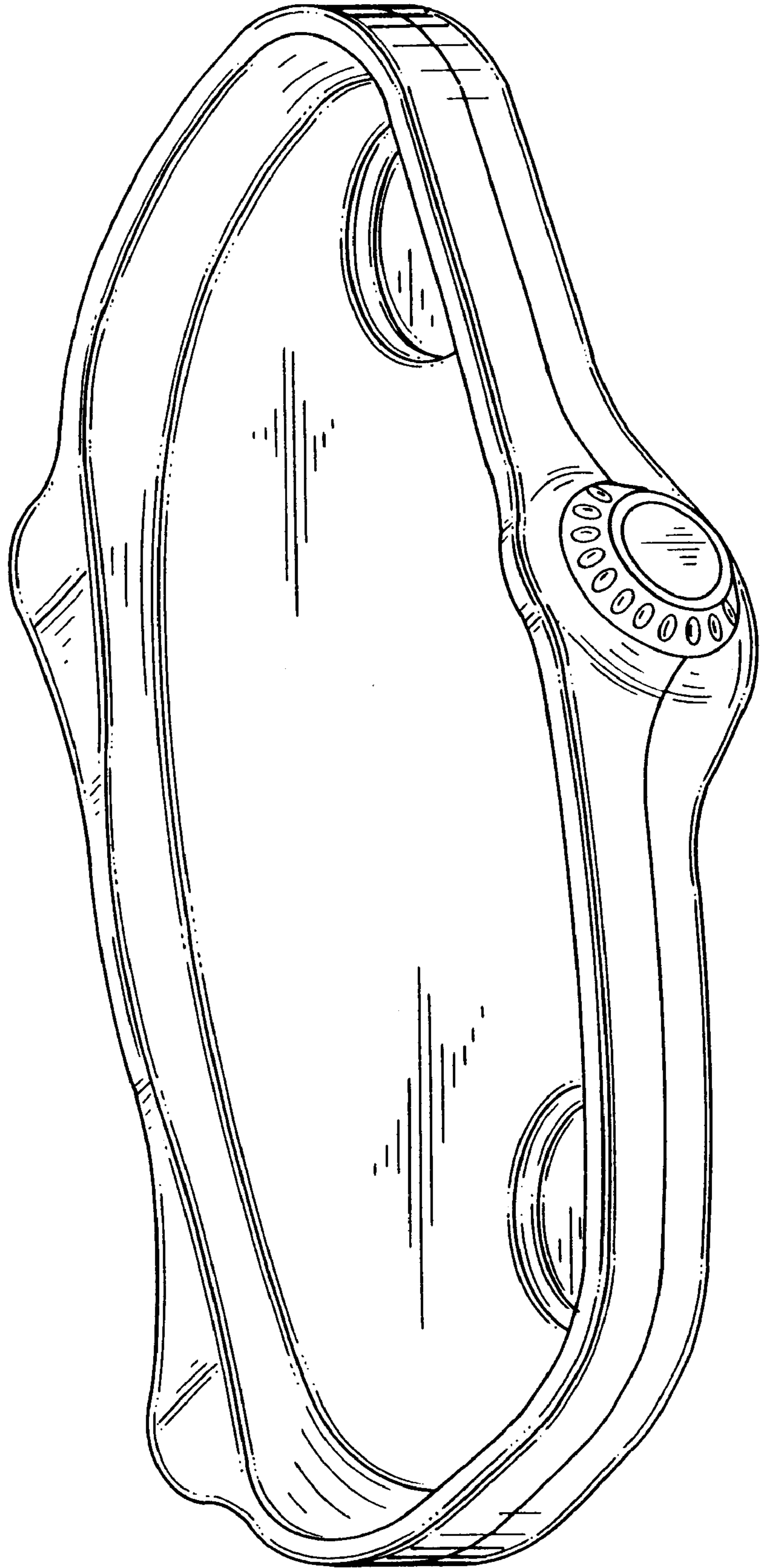
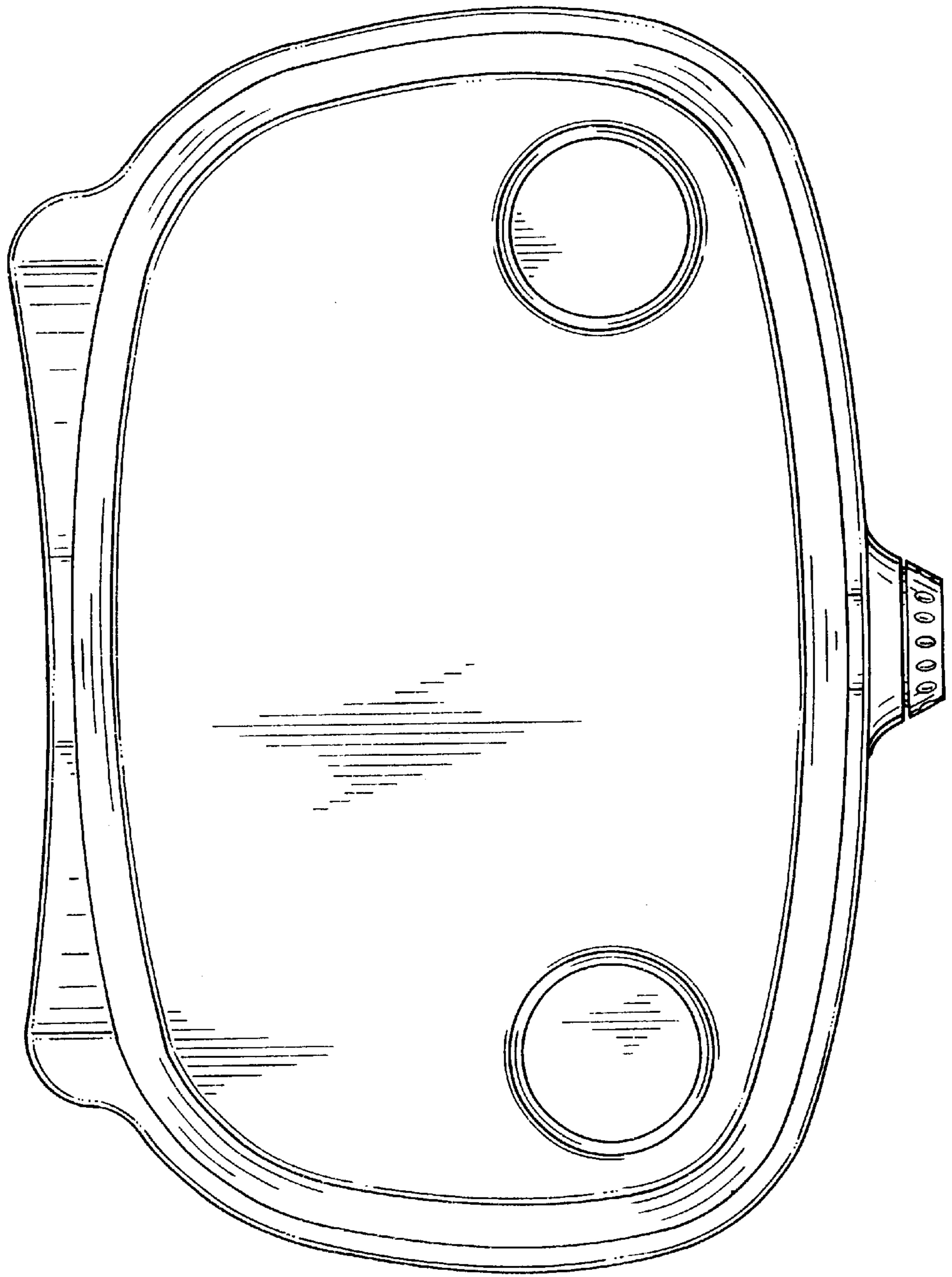


Fig.-2



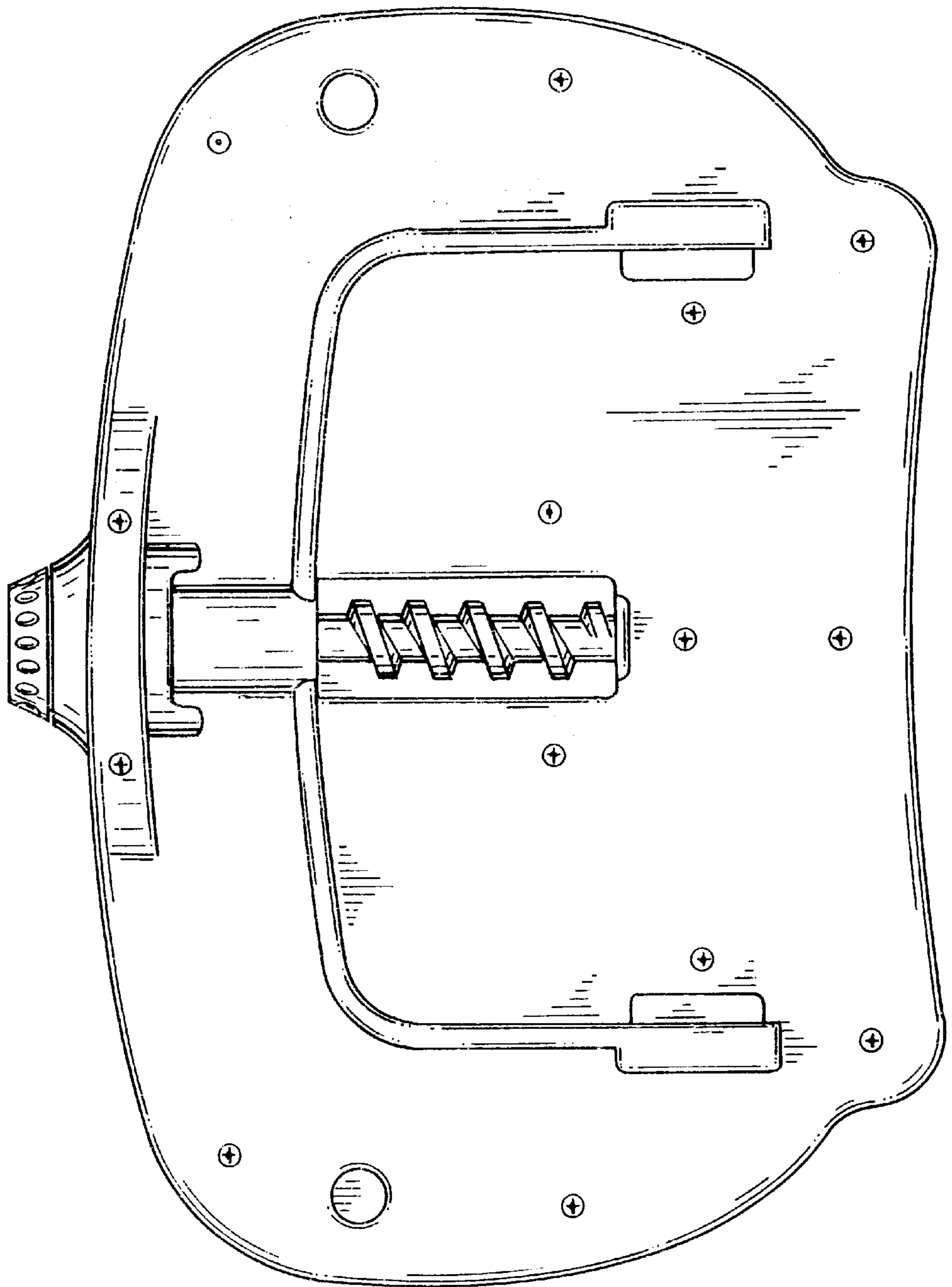


Fig.-3

Fig.-4

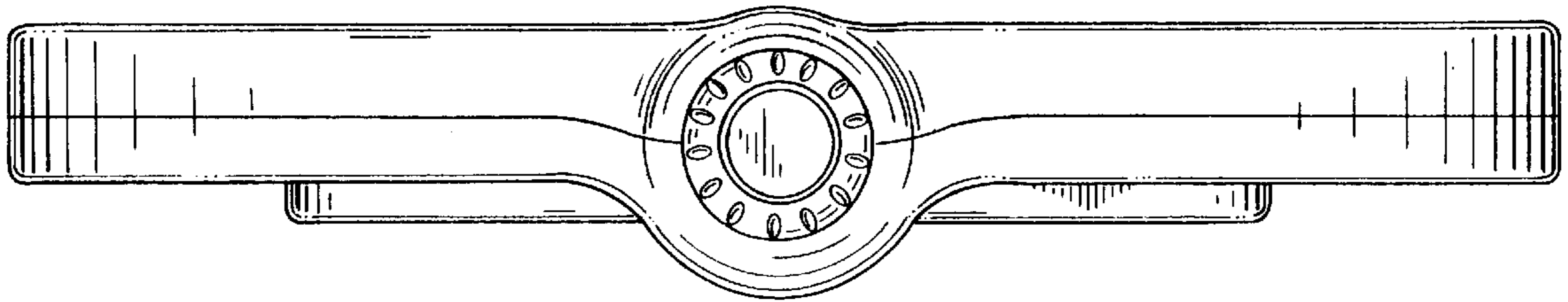


Fig.-5

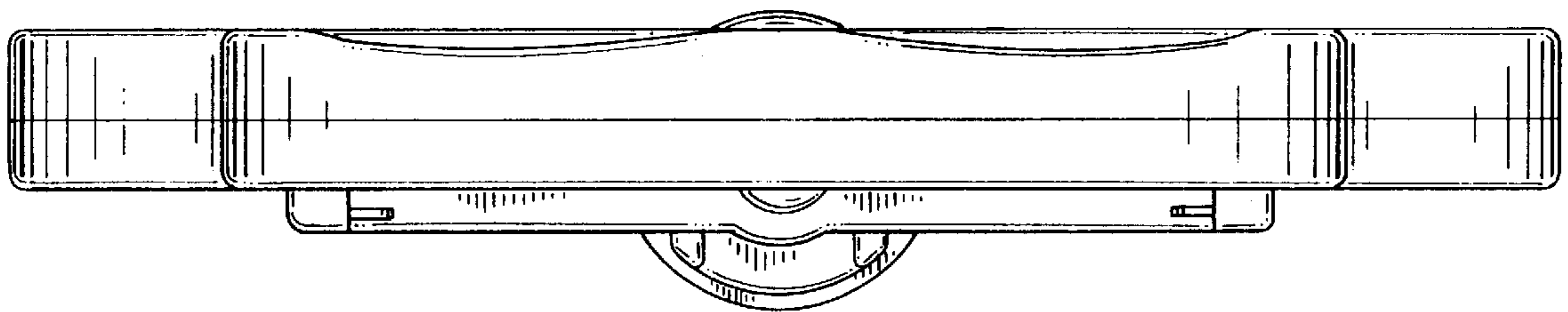


Fig.-6

