



US00D443775S

(12) **United States Design Patent**
Chou

(10) **Patent No.:** **US D443,775 S**

(45) **Date of Patent:** **** Jun. 19, 2001**

(54) **CABINET**

(76) Inventor: **Yen-Chiu Chou**, No. 30, Alley 39,
Lane 213, Yuan-Kang Rd., Feng-Yuan
City, Taichung Hsien (TW)

(**) Term: **14 Years**

(21) Appl. No.: **29/122,662**

(22) Filed: **May 2, 2000**

(51) **LOC (7) Cl.** **06-04**

(52) **U.S. Cl.** **D6/444; D6/445; D6/442**

(58) **Field of Search** **D6/432, 436, 442,
D6/444, 445; 312/204**

(56) **References Cited**

U.S. PATENT DOCUMENTS

D. 380,628 * 7/1997 Yeh D6/445

D. 417,799 * 12/1999 Lin D6/439

OTHER PUBLICATIONS

Service Merchandise, Manorwood Armoire, p. 156, #9
1996/1997.*

* cited by examiner

Primary Examiner—Cathron C. Brooks

(74) *Attorney, Agent, or Firm*—Sughrue, Mion, Zinn,
Macpeak & Seas, PLLC

(57) **CLAIM**

The ornamental design for cabinet, as shown and described.

DESCRIPTION

FIG. 1 is a perspective view of cabinet showing my new design;

FIG. 2 is a front elevational view thereof;

FIG. 3 is a rear elevational view thereof;

FIG. 4 is a left side elevational view thereof;

FIG. 5 is a right side elevational view thereof;

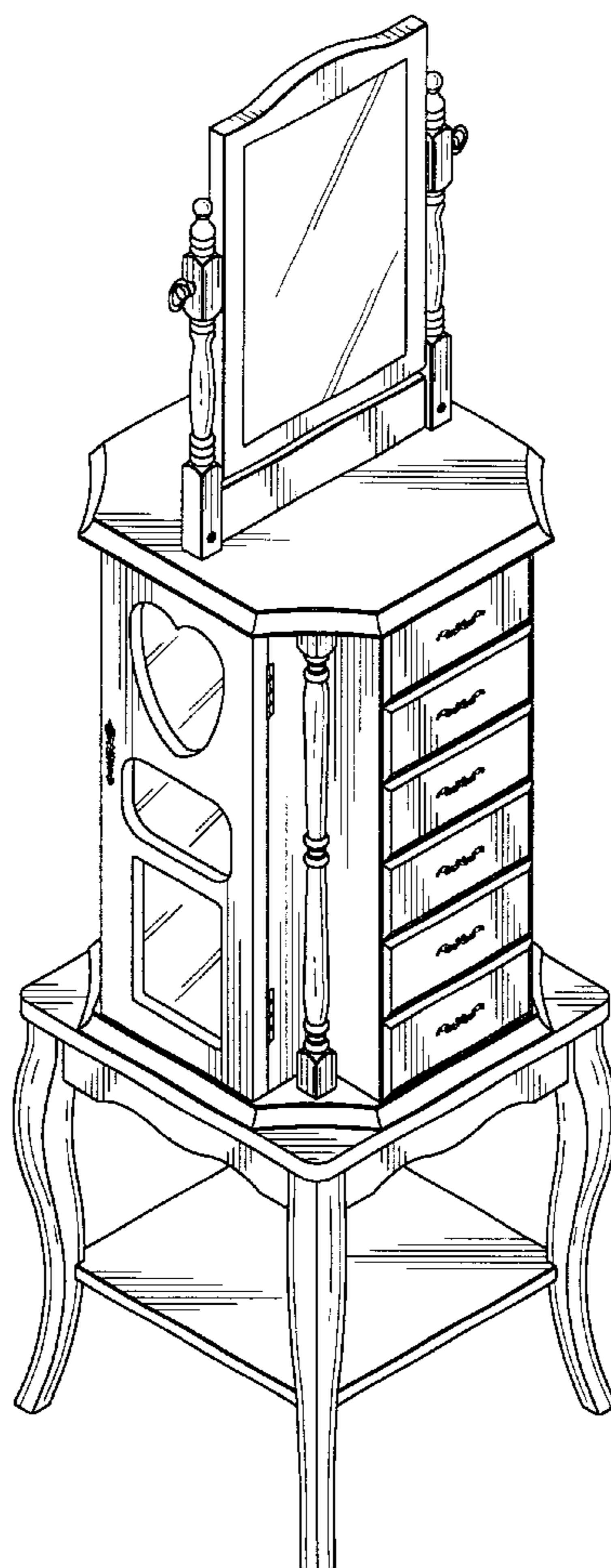
FIG. 6 is a top plan view thereof;

FIG. 7 is a bottom plan view thereof;

FIG. 8 is perspective view in use; and,

FIG. 9 is another perspective view in use.

1 Claim, 9 Drawing Sheets



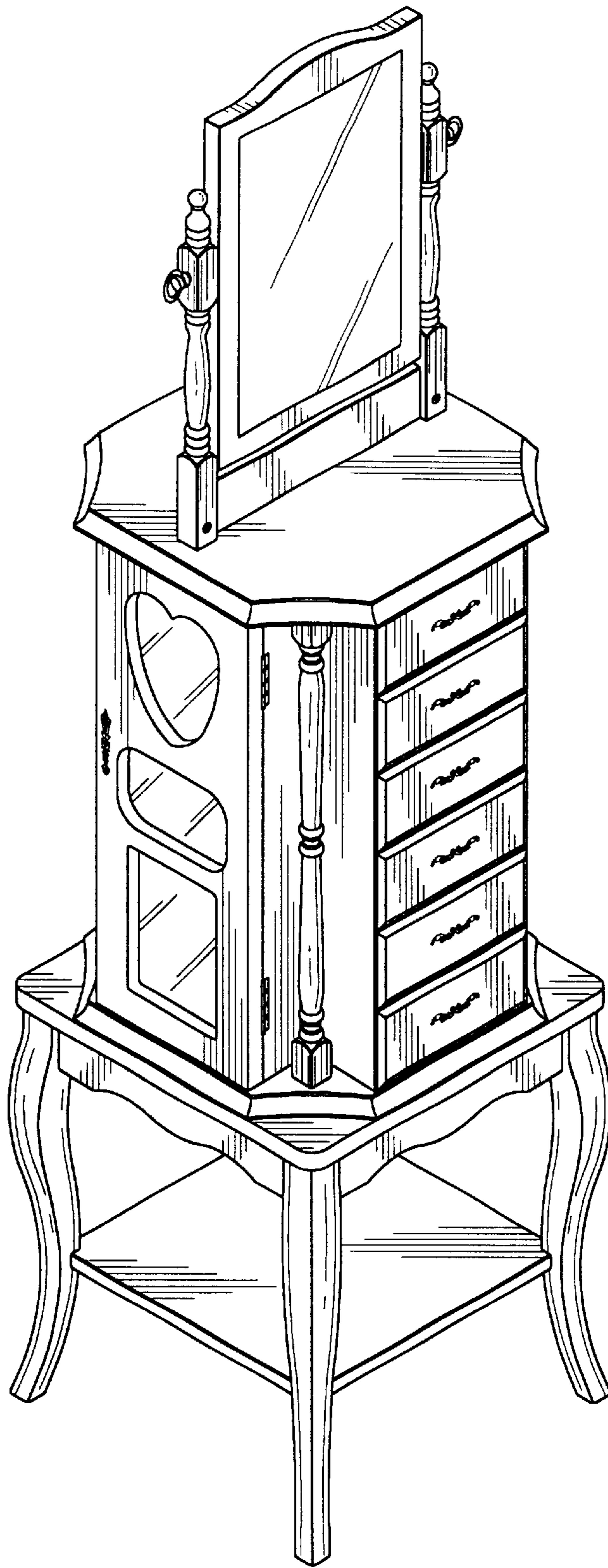


FIG. 1

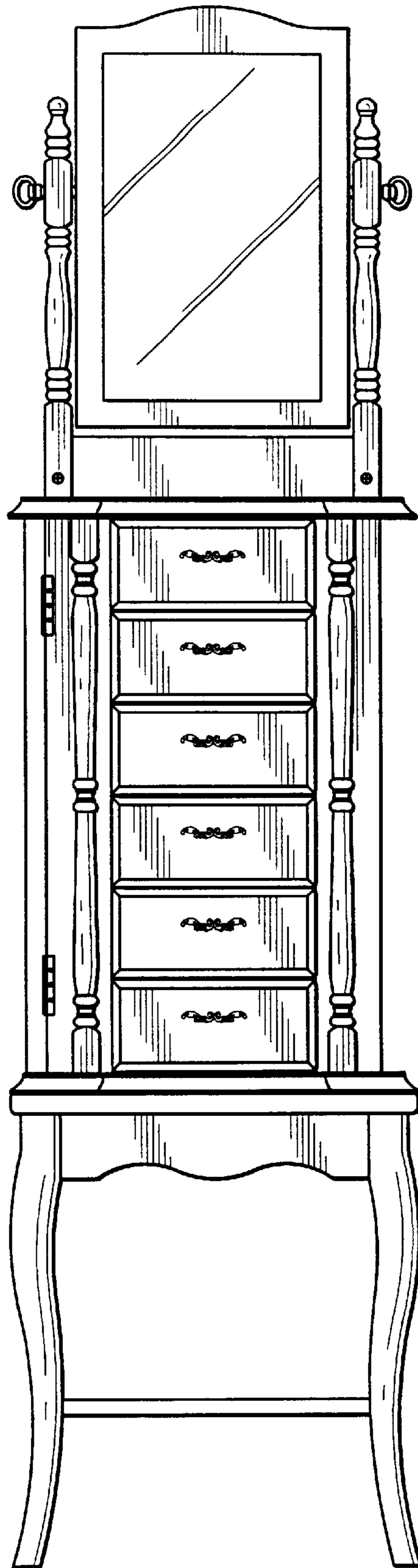


FIG. 2

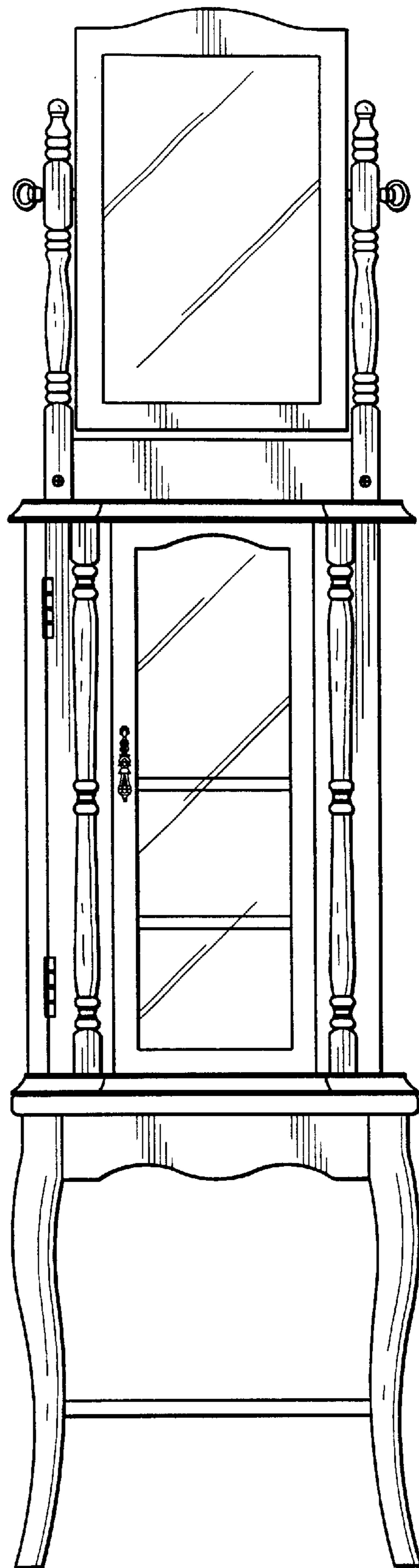


FIG. 3

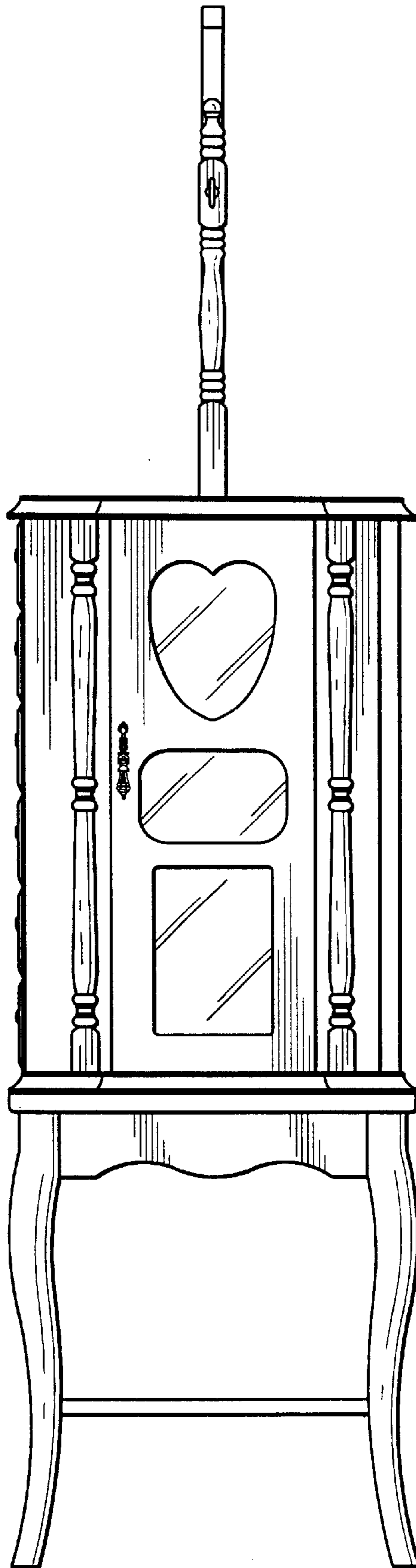


FIG. 4

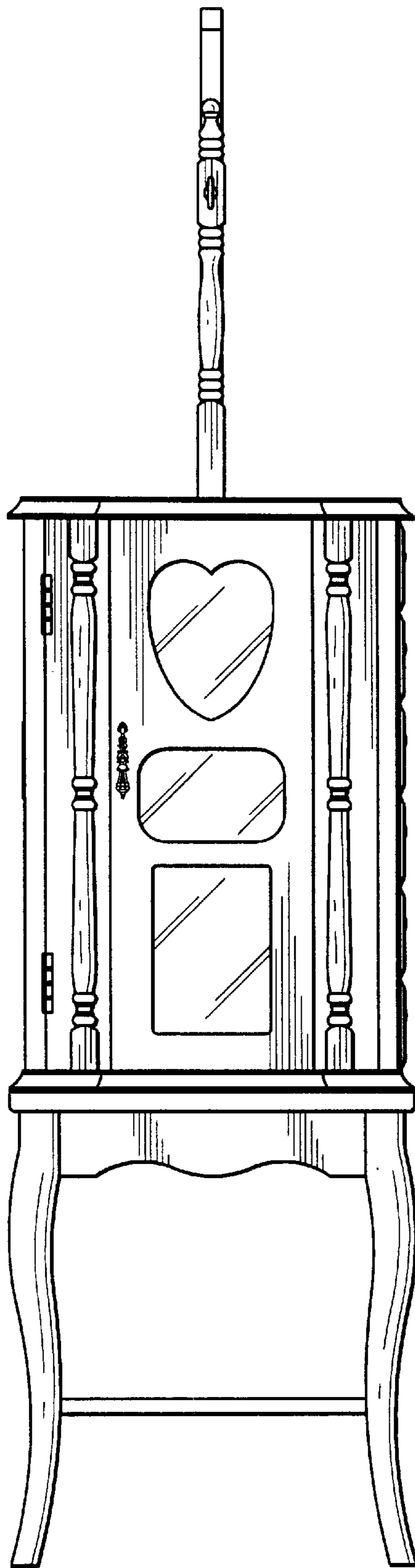


FIG. 5

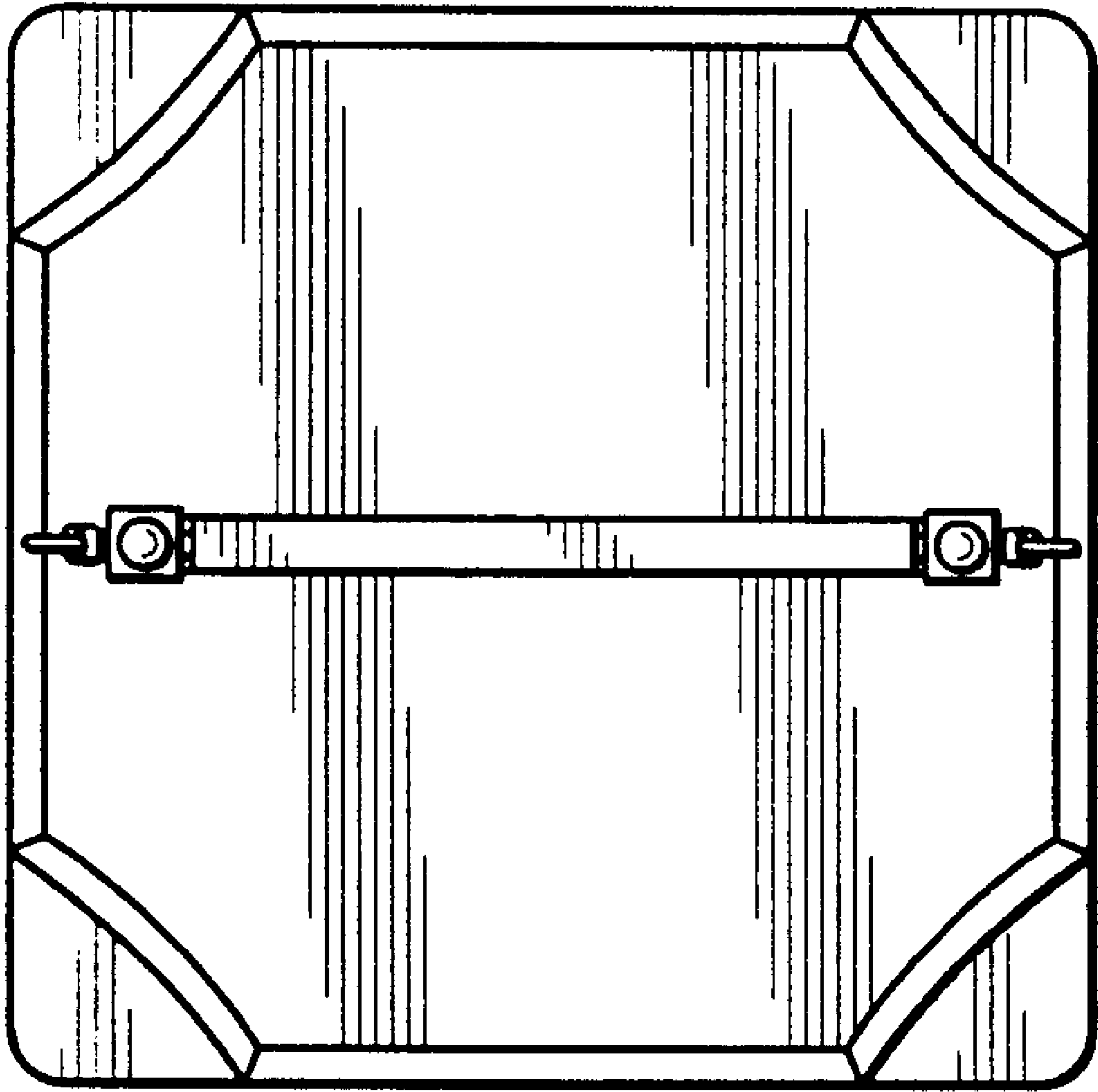


FIG. 6

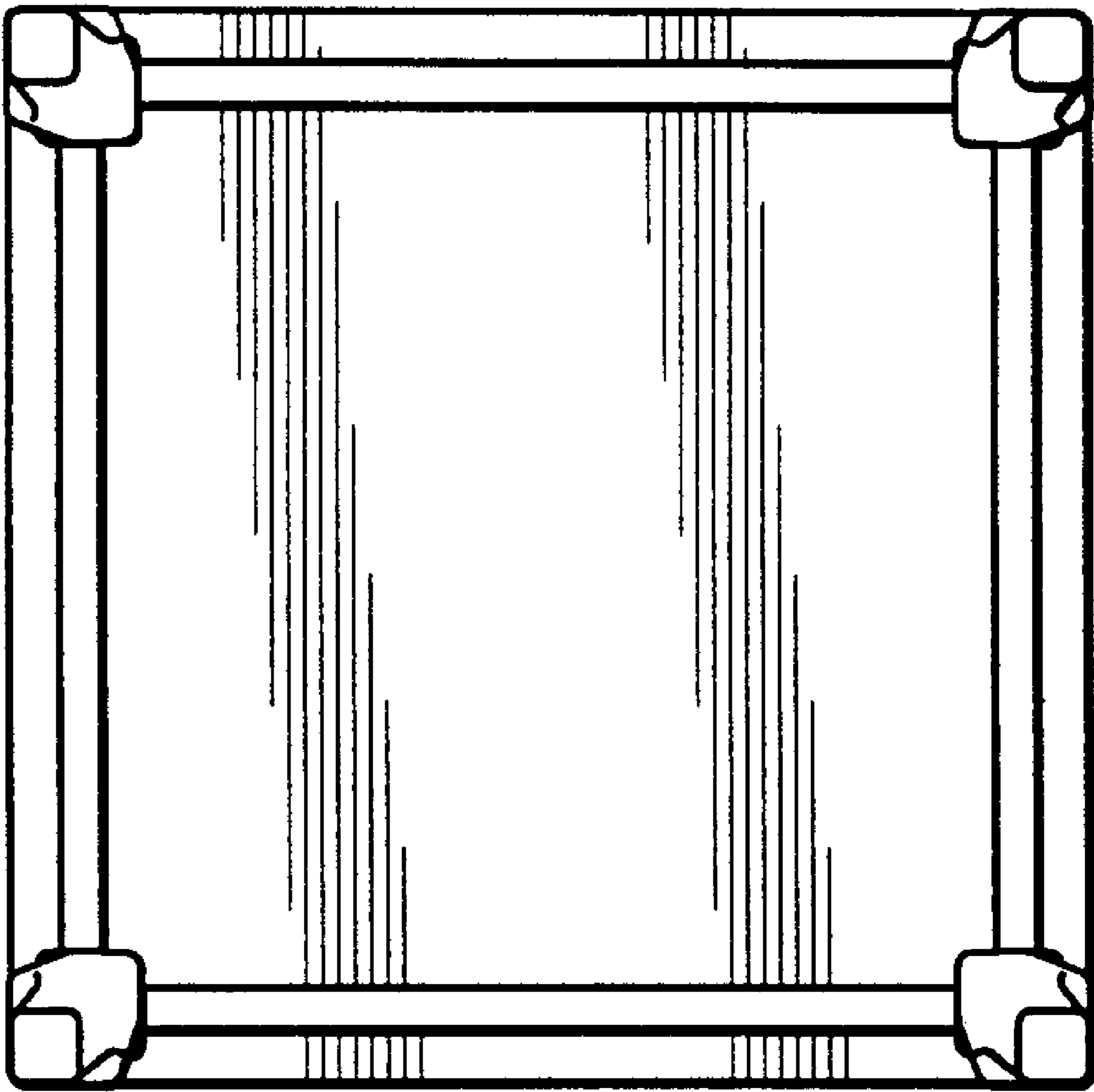


FIG. 7

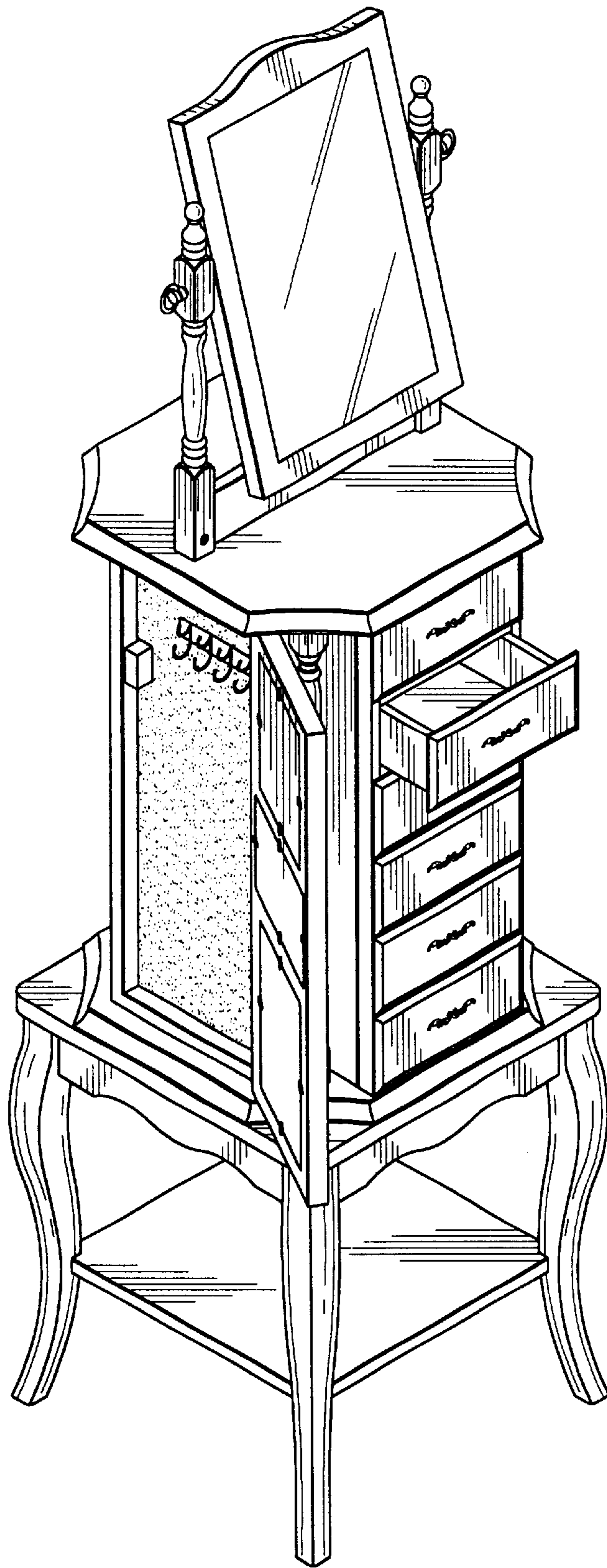


FIG. 8

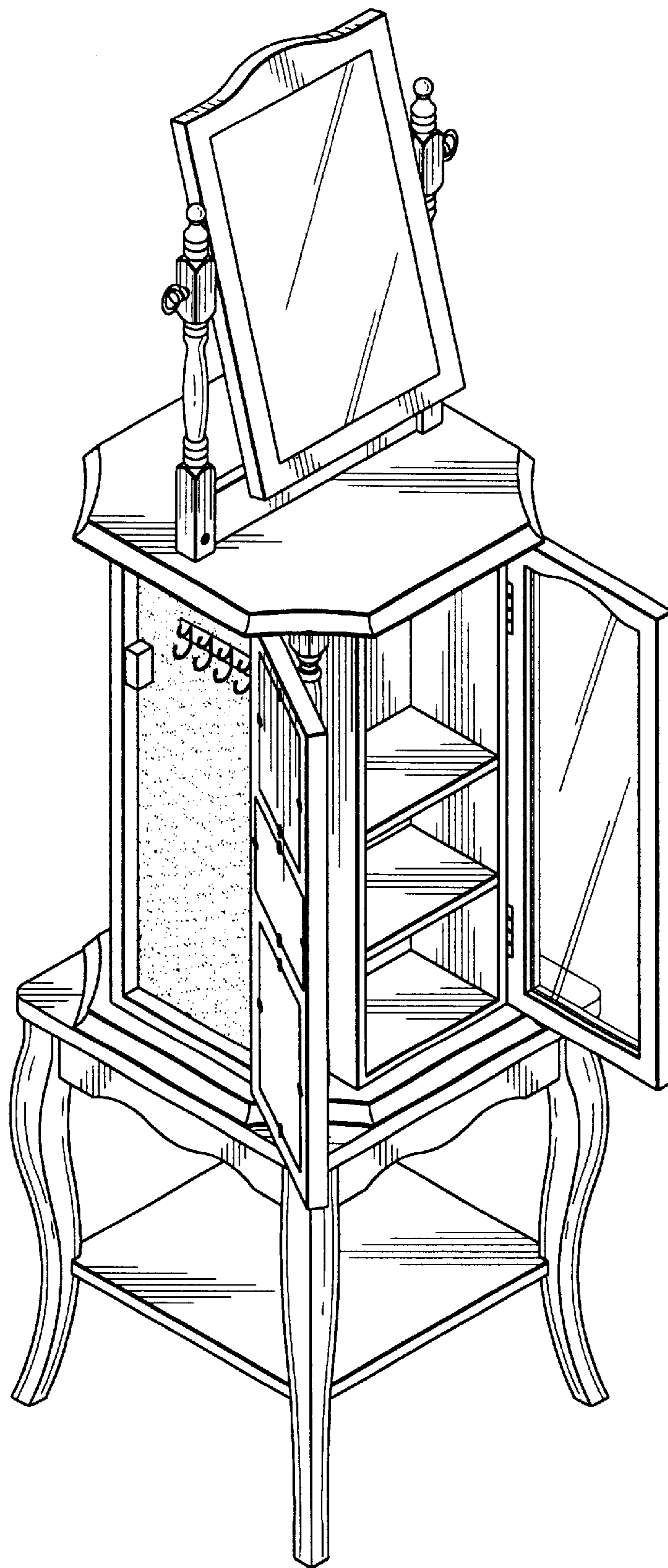


FIG. 9