



US00D443772S

(12) **United States Design Patent**  
**Champion**

(10) **Patent No.:** **US D443,772 S**

(45) **Date of Patent:** **\*\* Jun. 19, 2001**

(54) **SWING BED**

4,903,353 \* 2/1990 Park ..... 5/2.1  
5,384,925 \* 1/1995 Vail ..... 5/414

(76) **Inventor:** **John Champion**, 1326 Via Del Rio,  
Corona, CA (US) 92882

\* cited by examiner

(\*\*) **Term:** **14 Years**

*Primary Examiner*—Janice E. Seeger  
(74) *Attorney, Agent, or Firm*—Goldstein Law Offices, P.C.

(21) **Appl. No.:** **29/122,227**

(57) **CLAIM**

(22) **Filed:** **Apr. 21, 2000**

The ornamental design for a swing bed, as shown and described.

(51) **LOC (7) Cl.** ..... **06-01**

**DESCRIPTION**

(52) **U.S. Cl.** ..... **D6/385; D6/386; D6/389**

(58) **Field of Search** ..... D6/382-389, 393-395,  
D6/505-508, 344, 347; 5/53.1, 279.1, 280,  
281, 2.1, 8, 310, 120, 122, 127, 128, 121,  
414

FIG. 1 is a perspective view of a swing bed.  
FIG. 2 is a front elevational view thereof.  
FIG. 3 is a rear elevational view thereof.  
FIG. 4 is a top plan view thereof.  
FIG. 5 is a bottom plan view thereof; and,  
FIG. 6 is a left side elevational view of the swing bed, the  
right side elevational view being a mirror image of the left  
side view.

(56) **References Cited**

**U.S. PATENT DOCUMENTS**

D. 284,335 \* 6/1986 Fatseas ..... D6/386  
D. 300,286 \* 3/1989 Wheelock ..... D6/386

**1 Claim, 4 Drawing Sheets**

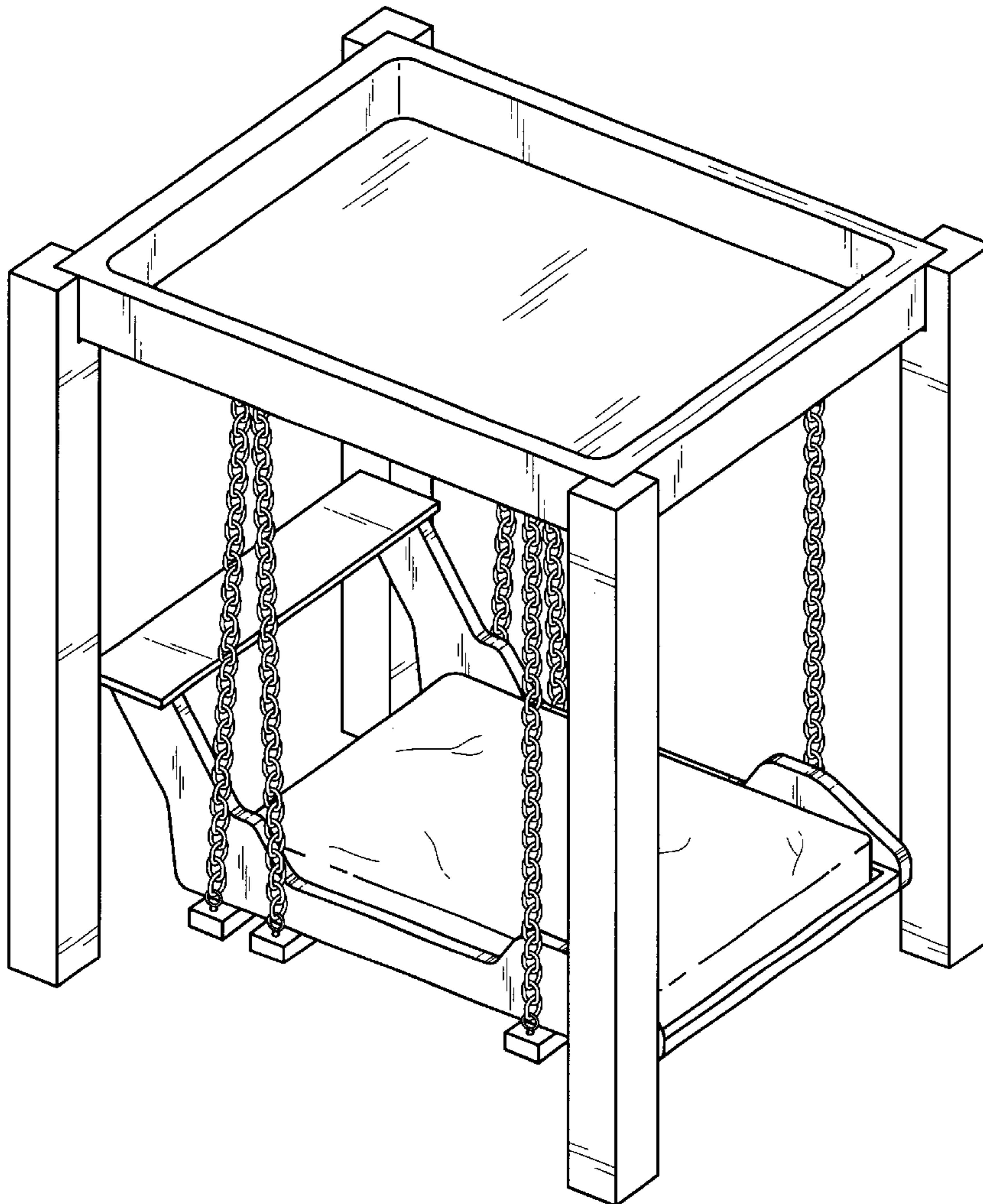
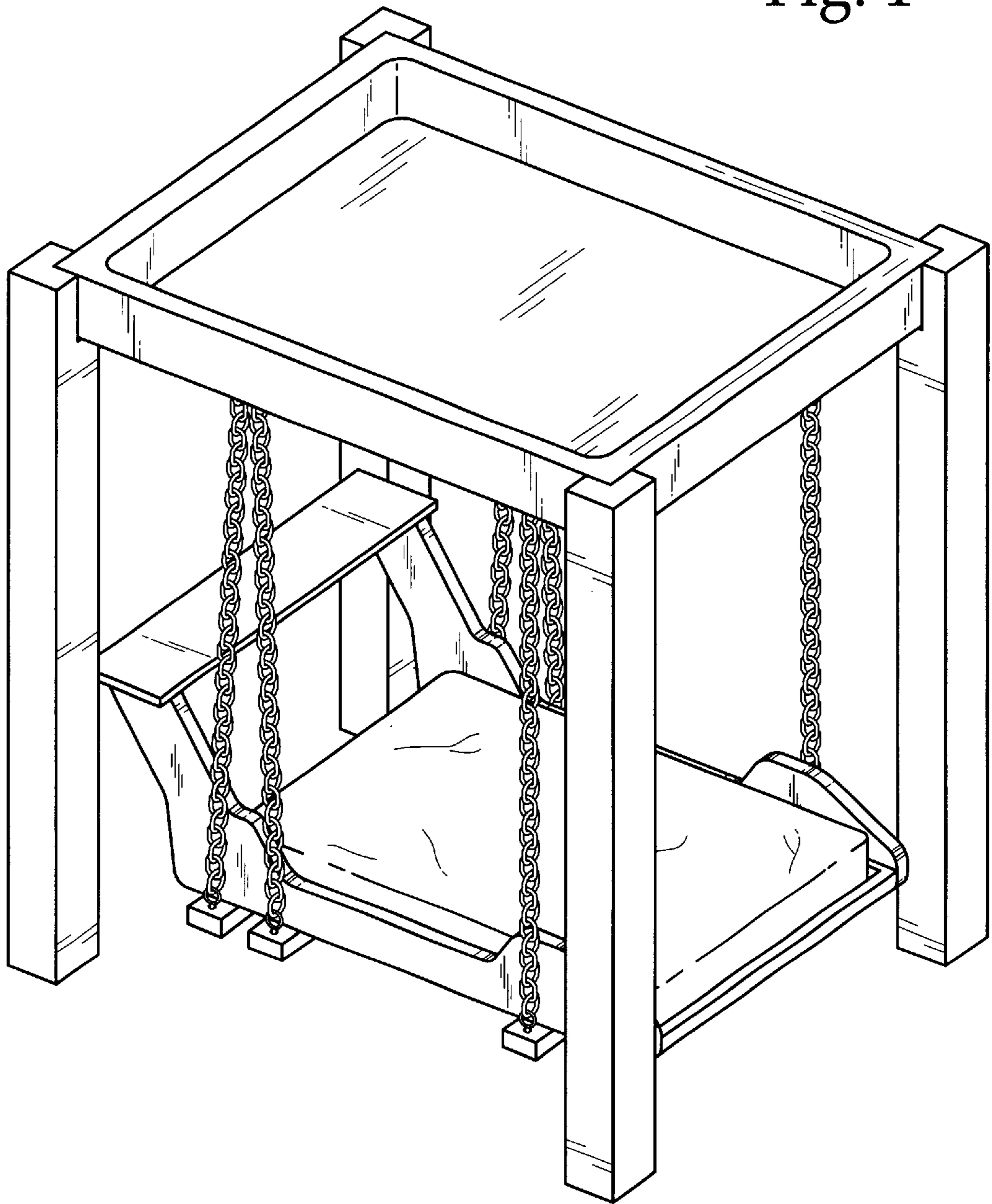


Fig. 1



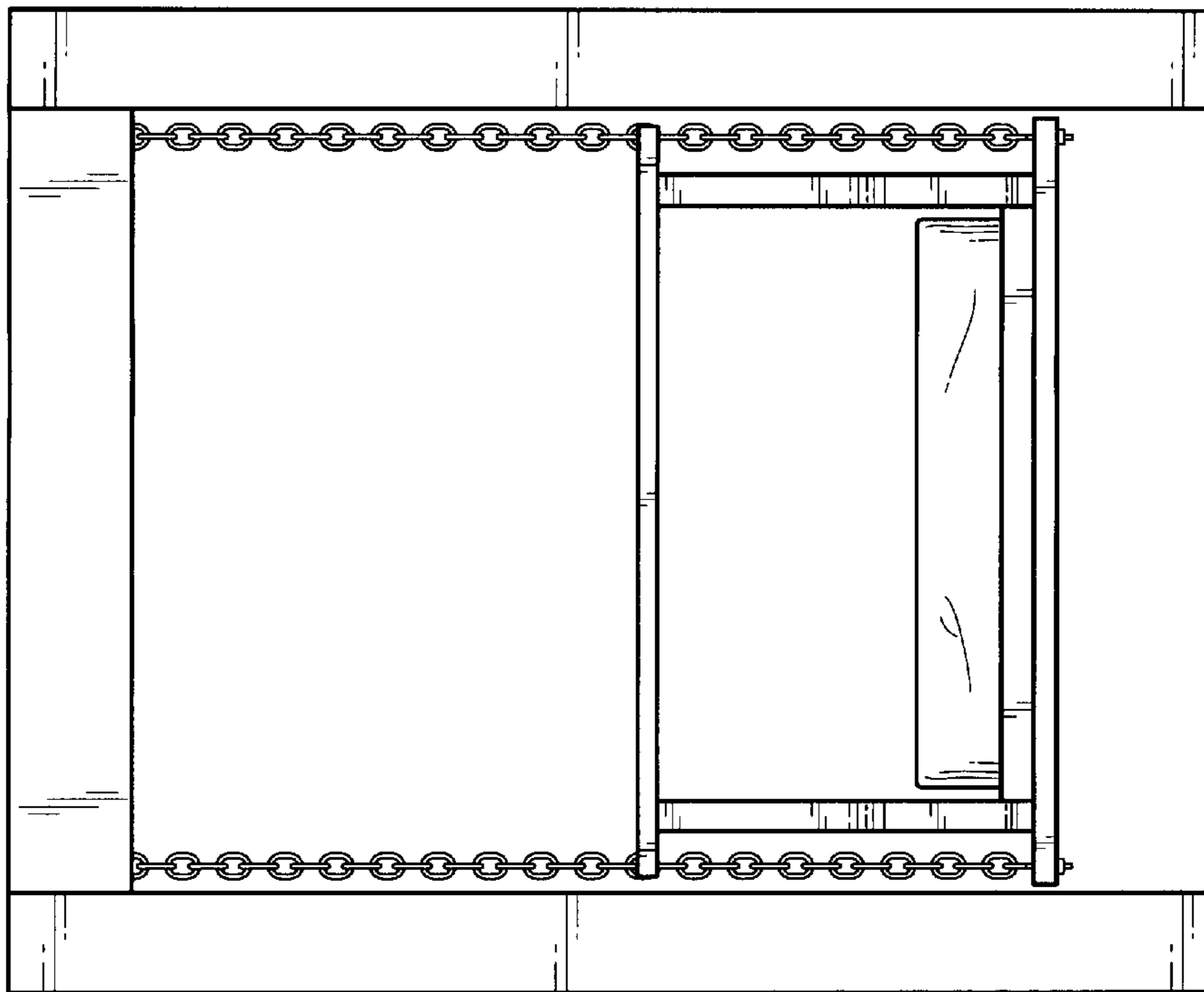


Fig. 3

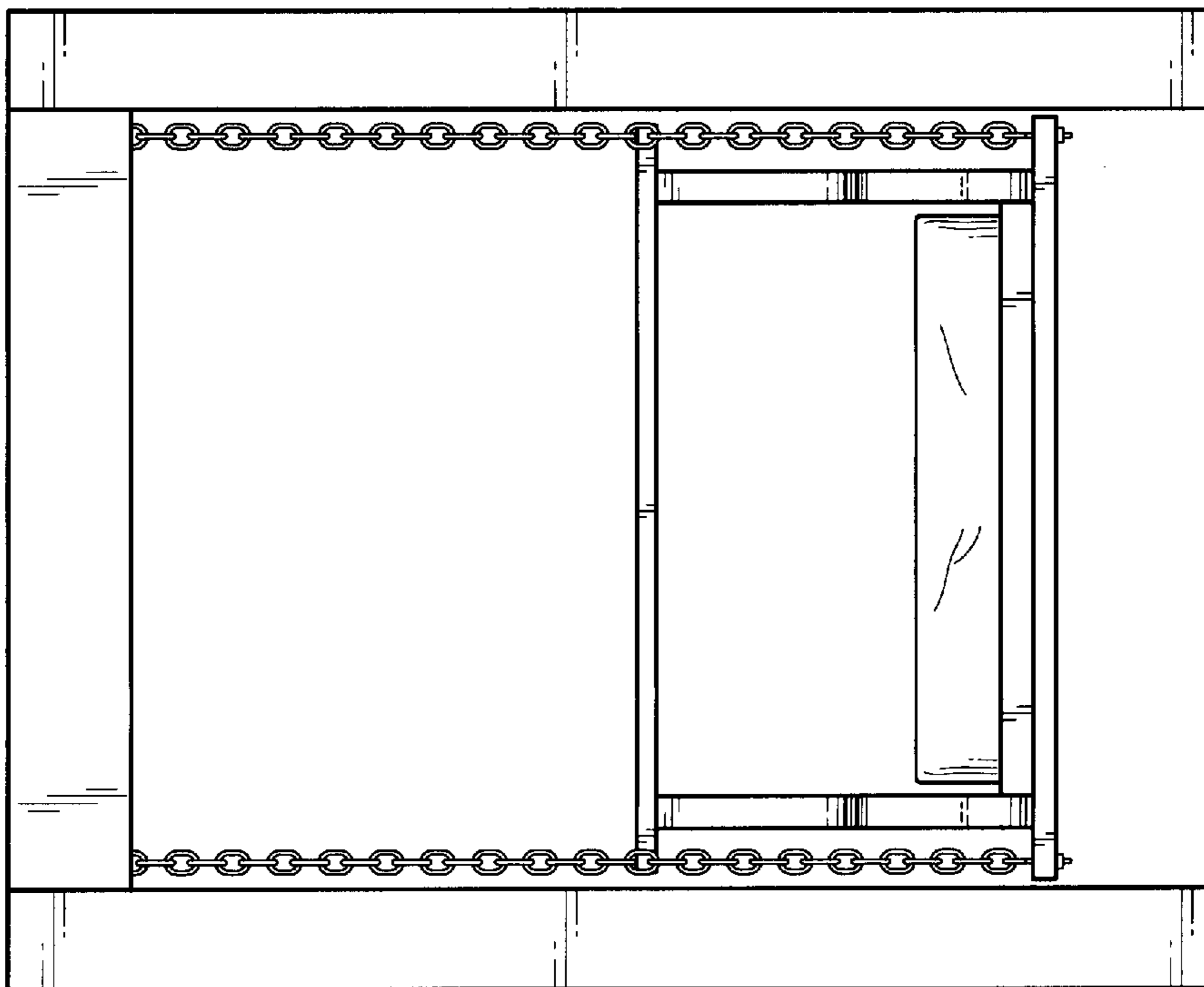


Fig. 2

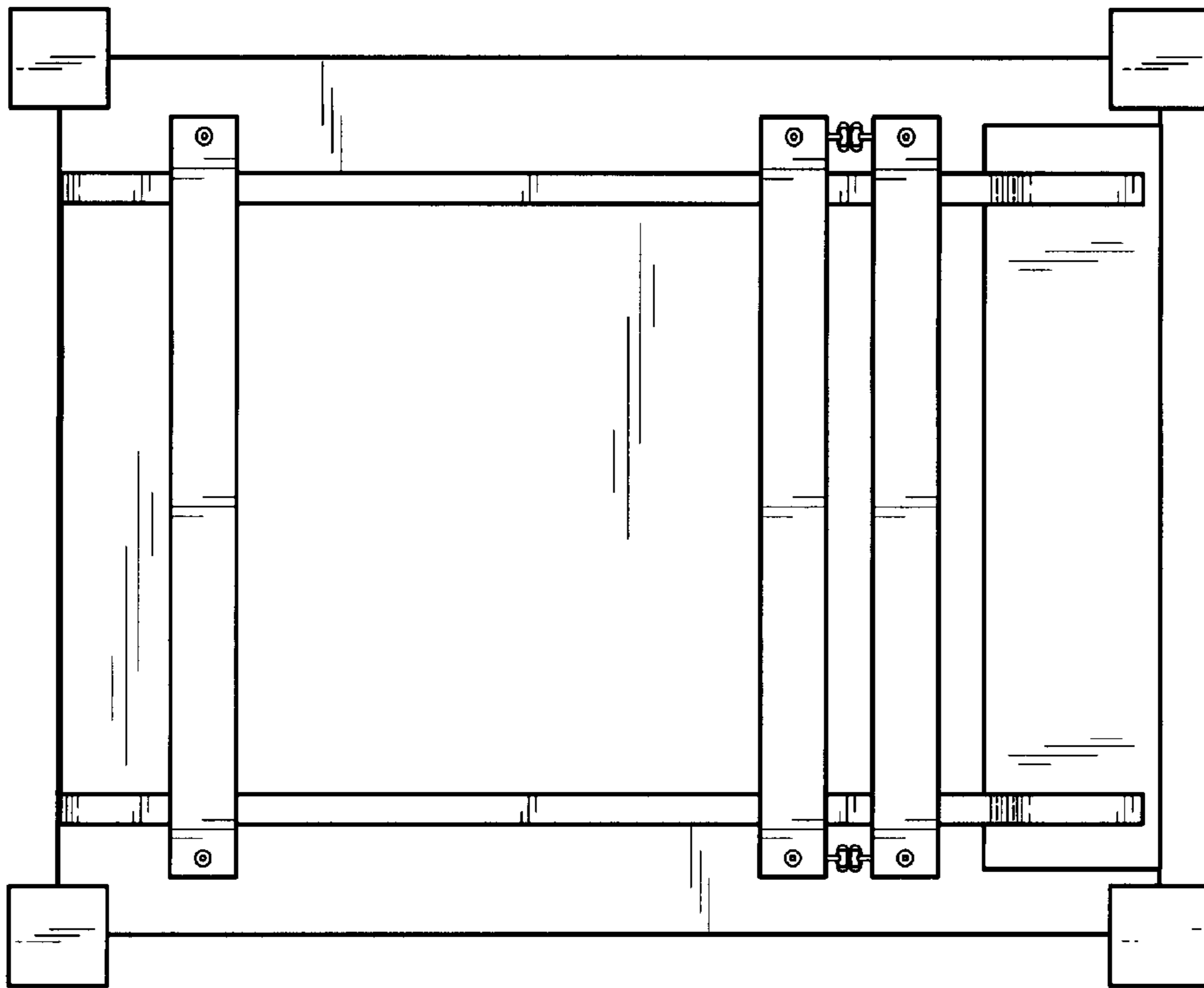


Fig. 5

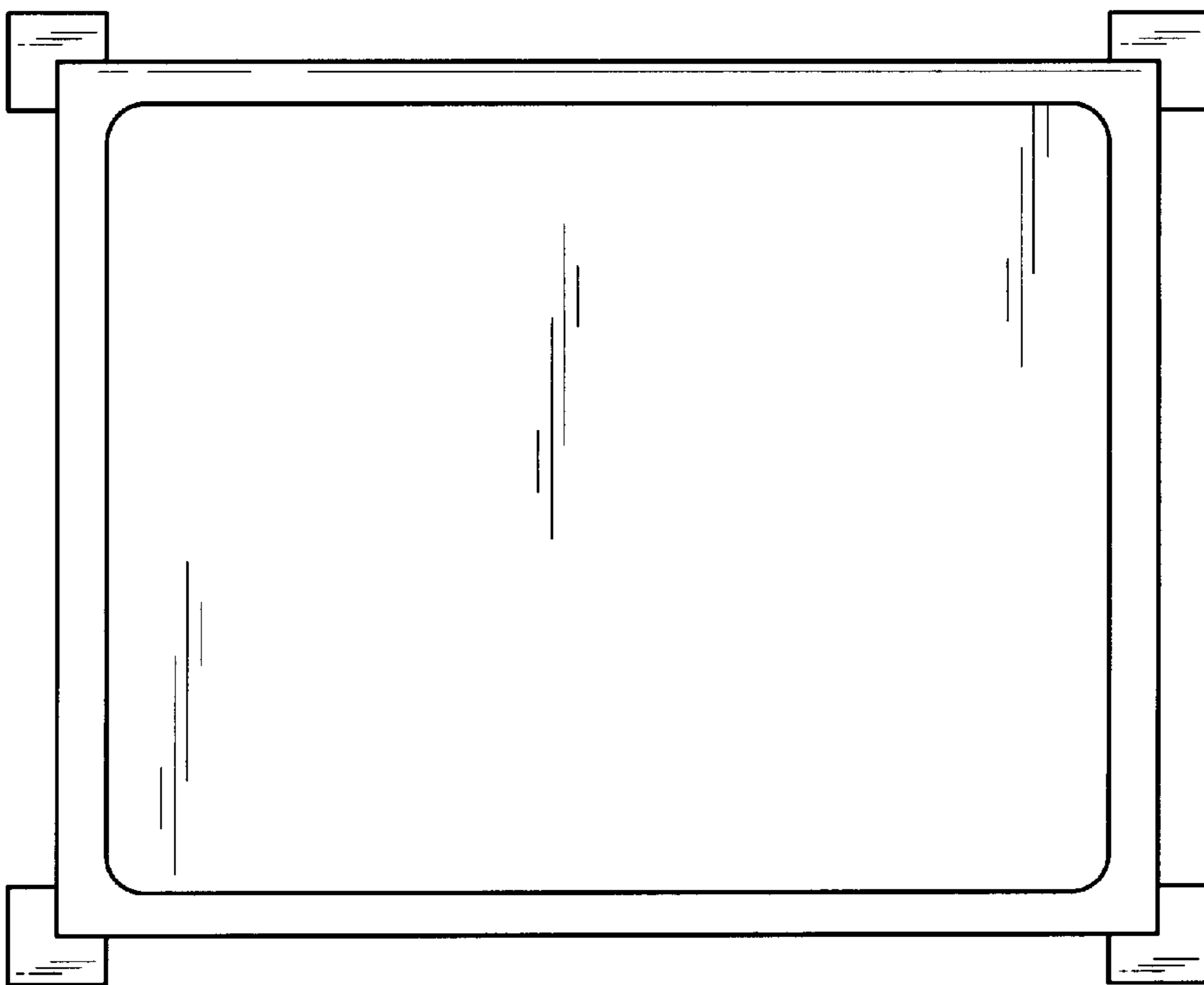


Fig. 4

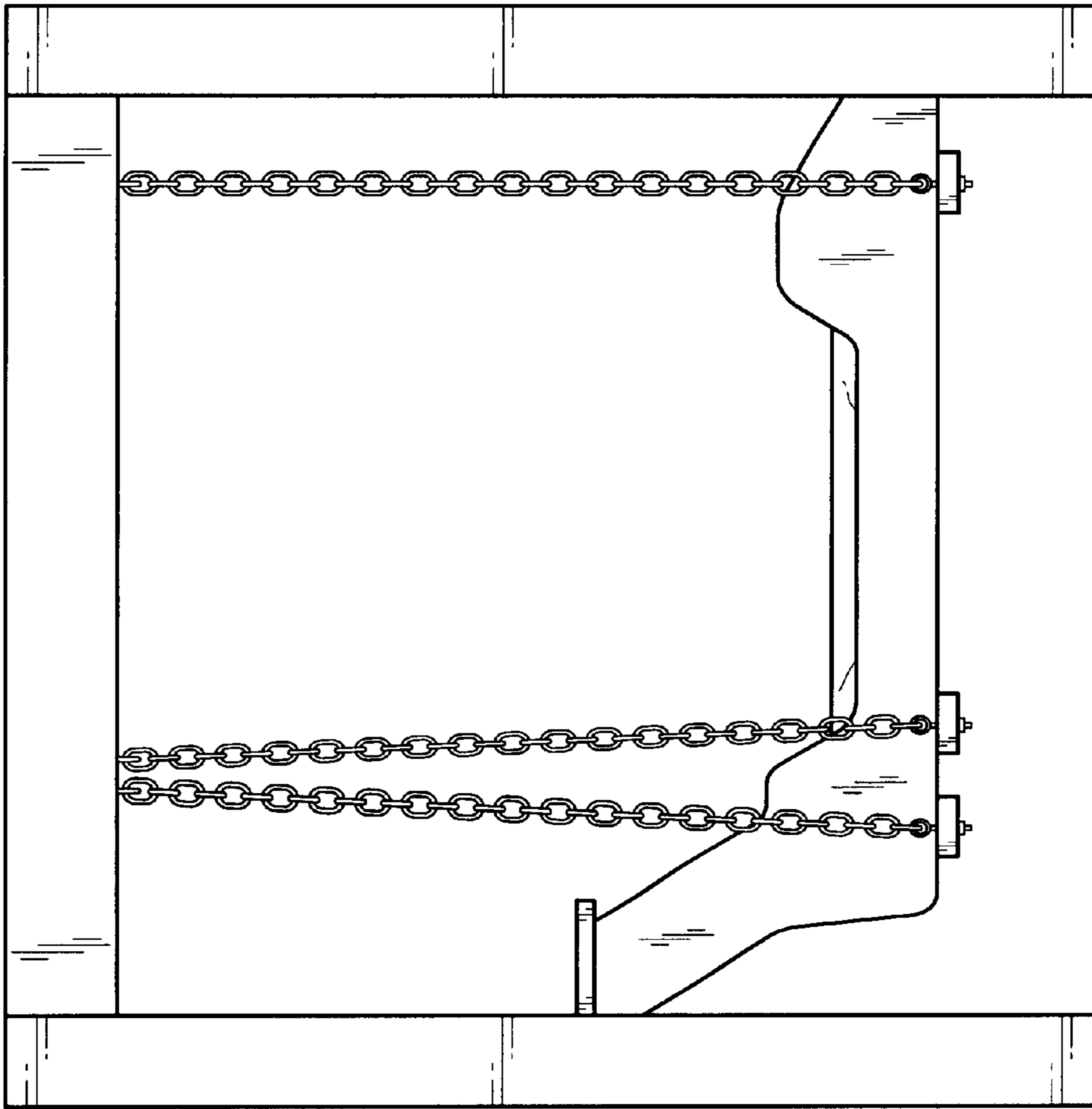


Fig. 6