



US00D443771S

(12) **United States Design Patent**
Jang

(10) **Patent No.:** **US D443,771 S**

(45) **Date of Patent:** **** Jun. 19, 2001**

(54) **CHAIR**

(76) Inventor: **Andy Jang**, No.17, Lane 273, Li-Nung St., Sec.2, Taipei, 112 (TW)

(**) Term: **14 Years**

(21) Appl. No.: **29/126,139**

(22) Filed: **Jul. 7, 2000**

(51) **LOC (7) Cl.** **06-01**

(52) **U.S. Cl.** **D6/381**

(58) **Field of Search** D6/334, 335, 336,
D6/364, 371, 374, 381, 500, 501, 502;
297/232

(56) **References Cited**

U.S. PATENT DOCUMENTS

D. 349,609 * 8/1994 Aronowitz et al. D6/381

OTHER PUBLICATIONS

Design Within Reach, p. 13, sofa at bottom right designed by George Nelson in 1956.*

* cited by examiner

Primary Examiner—Gary D. Watson
(74) *Attorney, Agent, or Firm*—Pro-Techtor International Services

(57) **CLAIM**

The ornamental design for chair, as shown and described.

DESCRIPTION

FIG. 1 is a perspective view of chair showing my new design;

FIG. 2 is front elevation view thereof;

FIG. 3 is rear elevation view thereof;

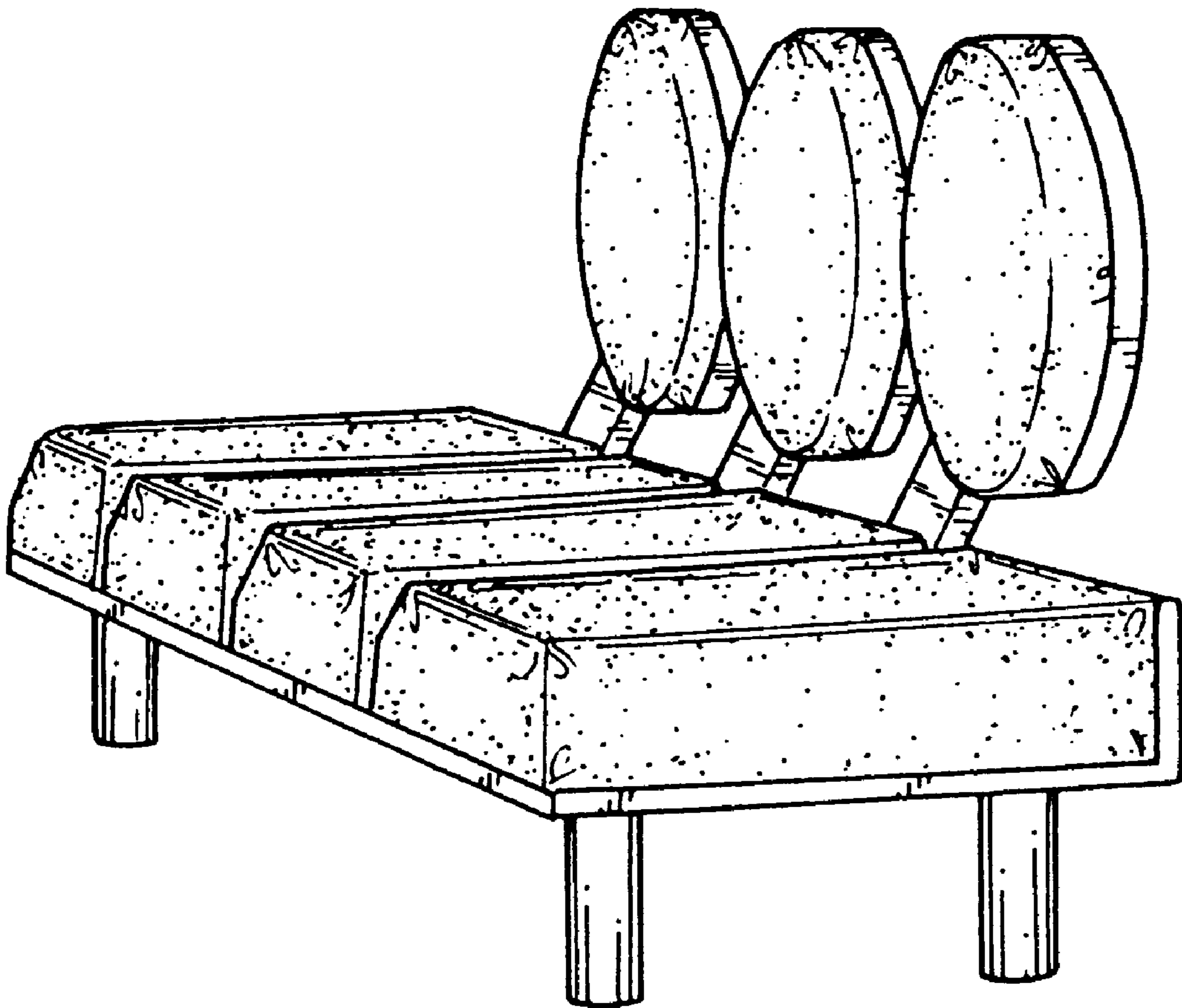
FIG. 4 is left side elevation view thereof;

FIG. 5 is a right side elevation view thereof;

FIG. 6 is a top view thereof; and,

FIG. 7 is a bottom view thereof.

1 Claim, 6 Drawing Sheets



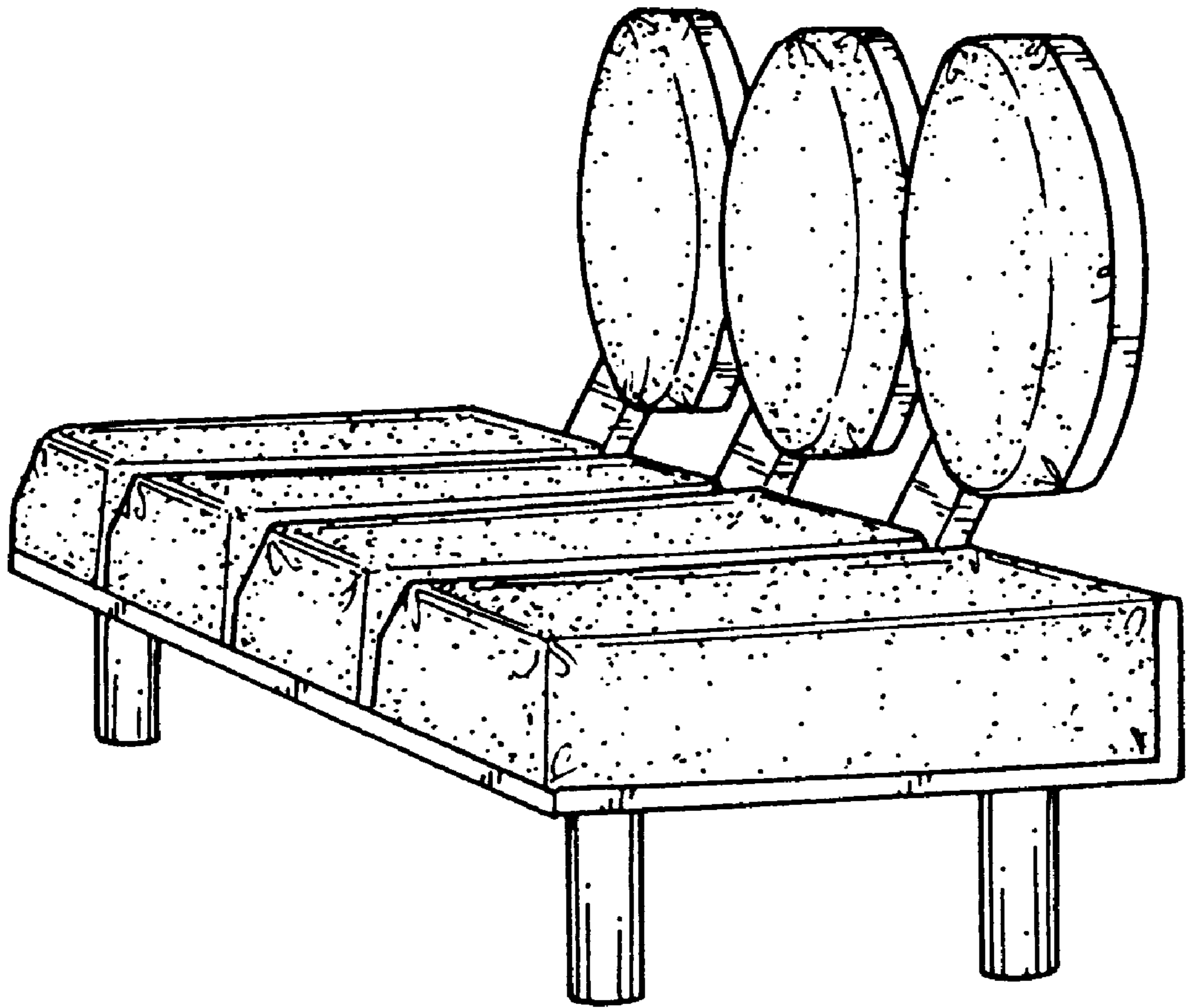


FIG.1

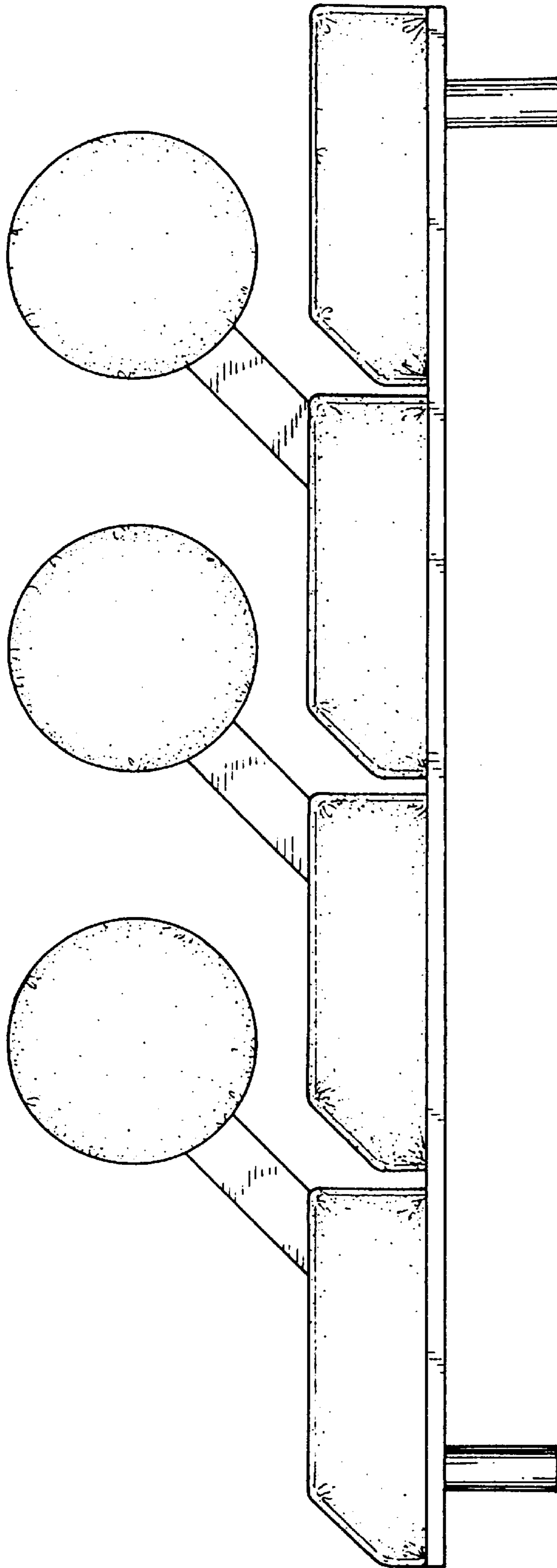


FIG.2

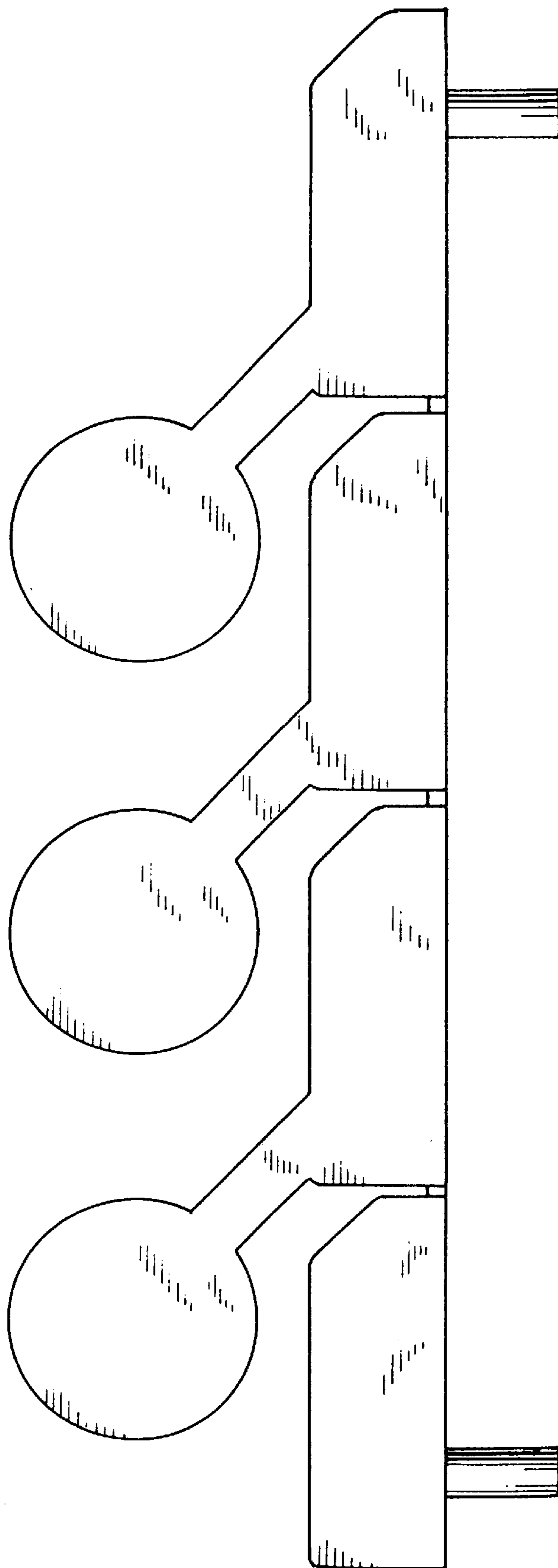


FIG.3

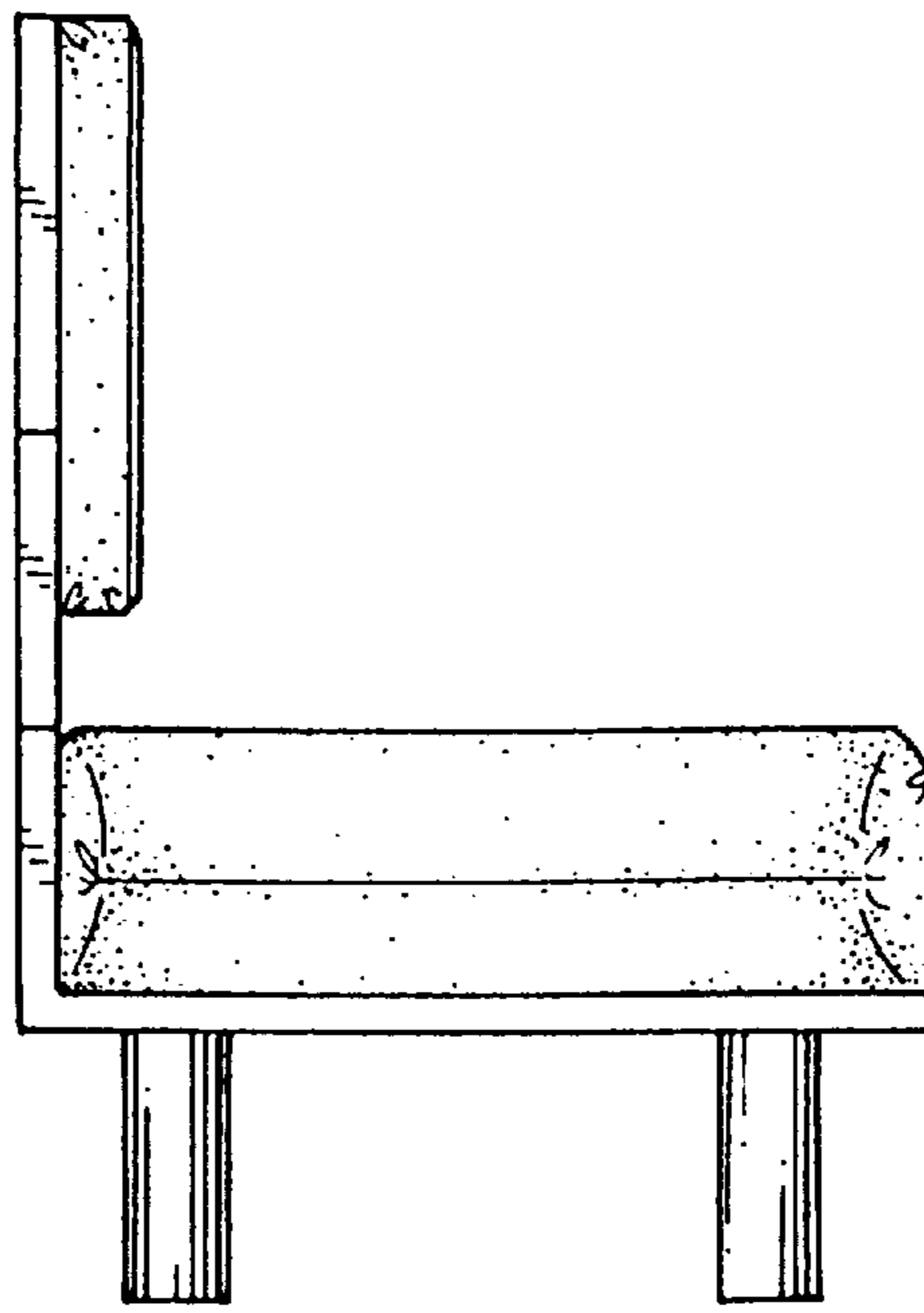


FIG. 4

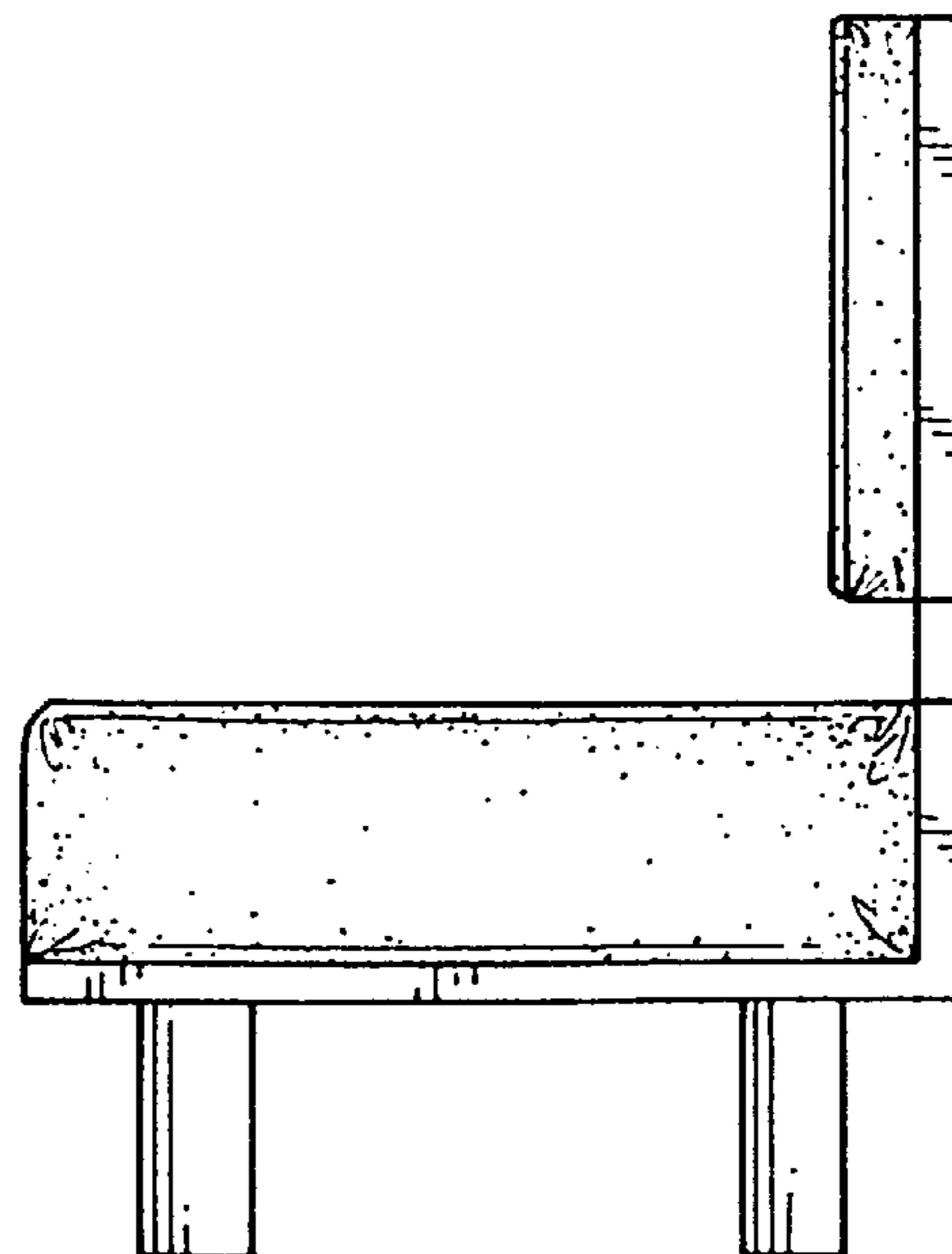


FIG. 5

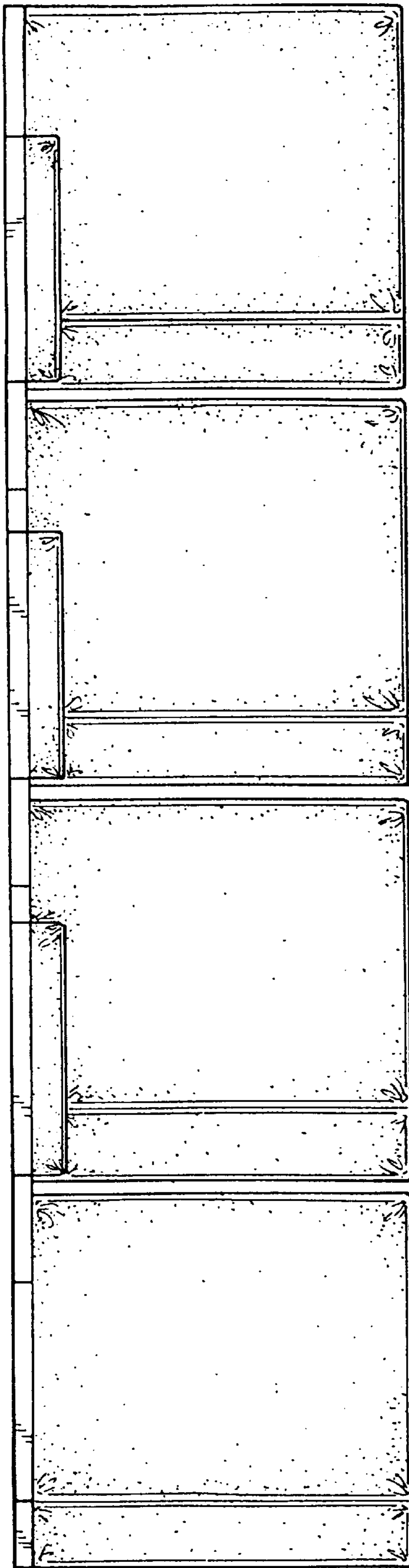


FIG.6

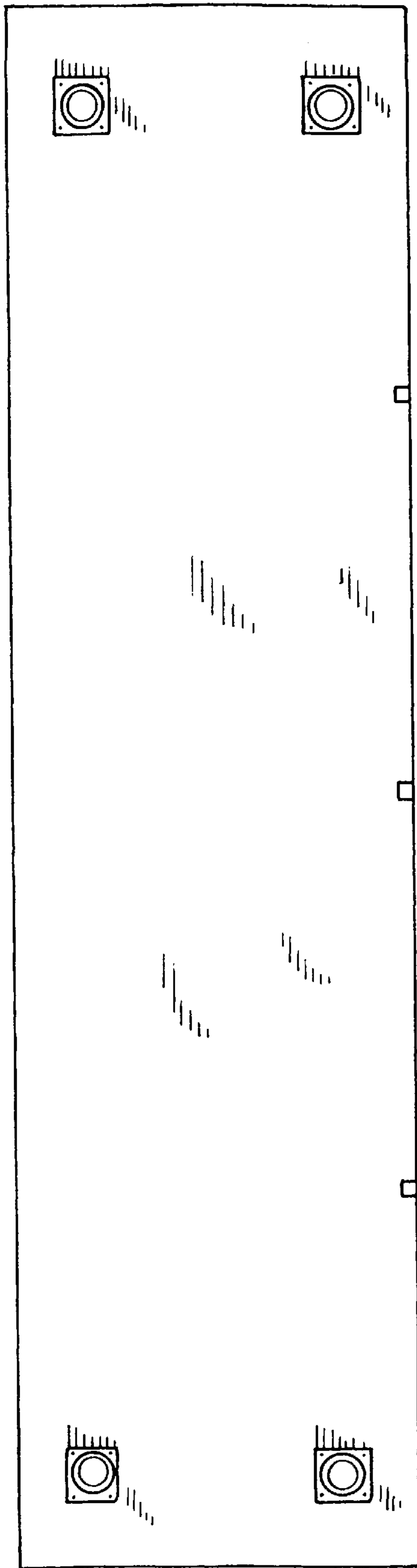


FIG.7