



US00D443762S

(12) **United States Design Patent**
Park

(10) **Patent No.:** **US D443,762 S**

(45) **Date of Patent:** **** Jun. 19, 2001**

(54) **ARTIFICIAL FINGERNAIL CASE**

4,632,242 * 12/1986 Choi et al. 206/45.34

4,899,882 * 2/1990 Benner 206/470

5,178,295 * 1/1993 Crumrine et al. 22/523

(76) **Inventor:** **Jong-Ho Park**, #252 Hyuikyong-dong,
Dongdaemoon-gu (KR)

(**) **Term:** **14 Years**

OTHER PUBLICATIONS

Time Motion Tools Catalog, Insert, Lite -Tuff Parts Boxes
1993.*

* cited by examiner

(21) **Appl. No.:** **29/124,373**

Primary Examiner—Philip S. Hyder

(22) **Filed:** **Jun. 5, 2000**

(74) *Attorney, Agent, or Firm*—Lee & Hong

(51) **LOC (7) Cl.** **03-01**

(52) **U.S. Cl.** **D3/295; D3/283; D28/61**

(58) **Field of Search** D3/302, 294; D9/415,
D9/418, 420, 423, 424, 425; 206/806, 315.11,
372, 373, 470; D28/61, 73, 56; 220/523

(57) **CLAIM**

The ornamental design for an artificial fingernail case, as
shown and described.

(56) **References Cited**

DESCRIPTION

U.S. PATENT DOCUMENTS

D. 276,024	*	10/1984	Skowronski et al.	D9/415
D. 278,495	*	4/1985	Rattner	D6/470
D. 309,430	*	7/1990	Cramer	D9/415
D. 311,785	*	10/1990	Gaynor	D28/61
D. 362,802	*	10/1995	Lee	D9/423
D. 362,924	*	10/1995	Mers	D28/61
D. 379,013	*	4/1997	Shih	D28/73
D. 418,252	*	12/1999	Horvath et al.	D3/294
2,735,541	*	2/1956	Mosler	220/521
3,490,169	*	1/1970	Tweed	206/315.11

FIG. 1 is a perspective view of the artificial fingernail case,
showing my new design;

FIG. 2 is a front elevational view thereof;

FIG. 3 is a rear elevational view thereof;

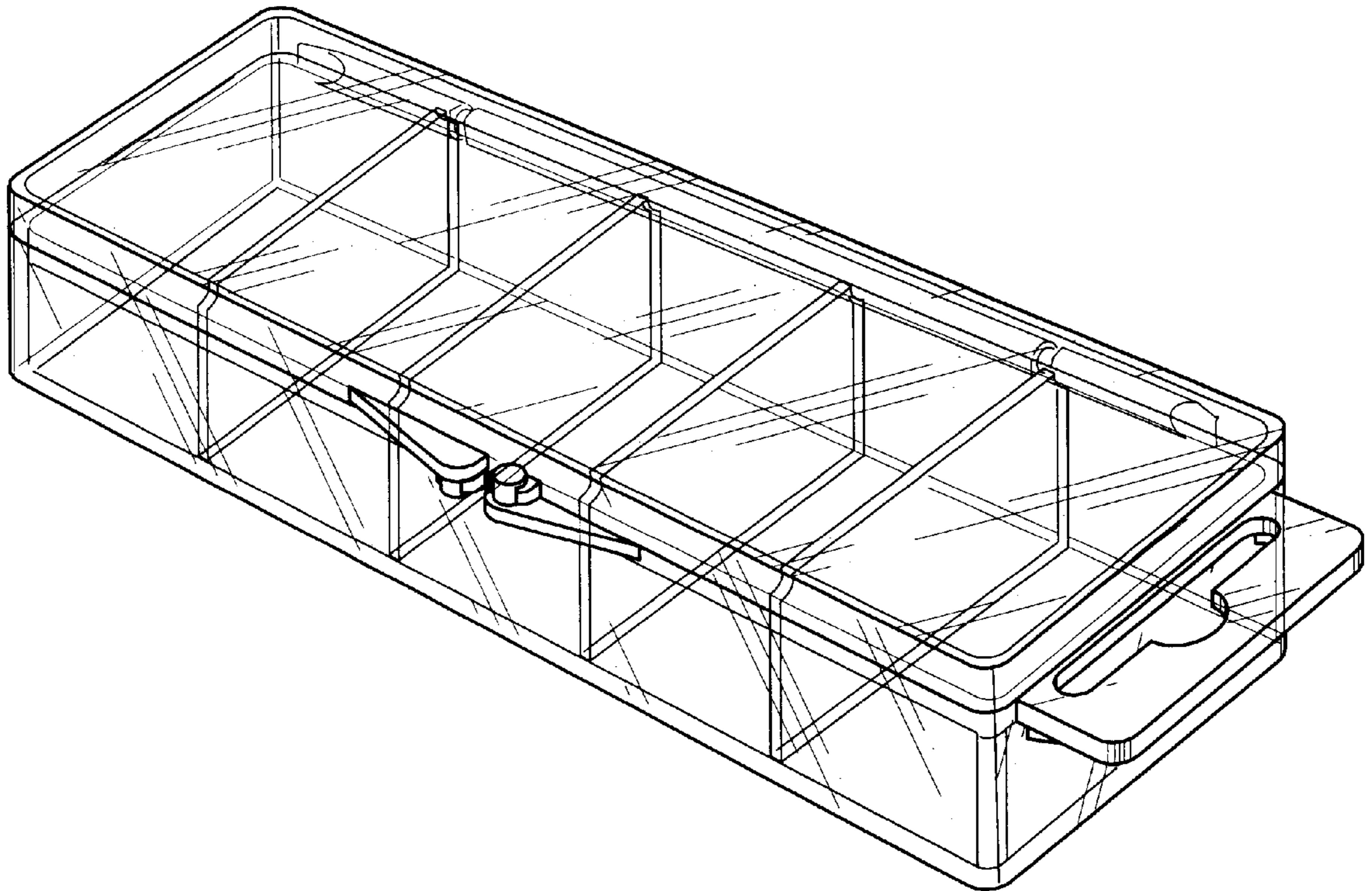
FIG. 4 is a left elevational view thereof;

FIG. 5 is a right elevational view thereof;

FIG. 6 is a top plan view thereof; and,

FIG. 7 is a bottom plan view thereof.

1 Claim, 3 Drawing Sheets



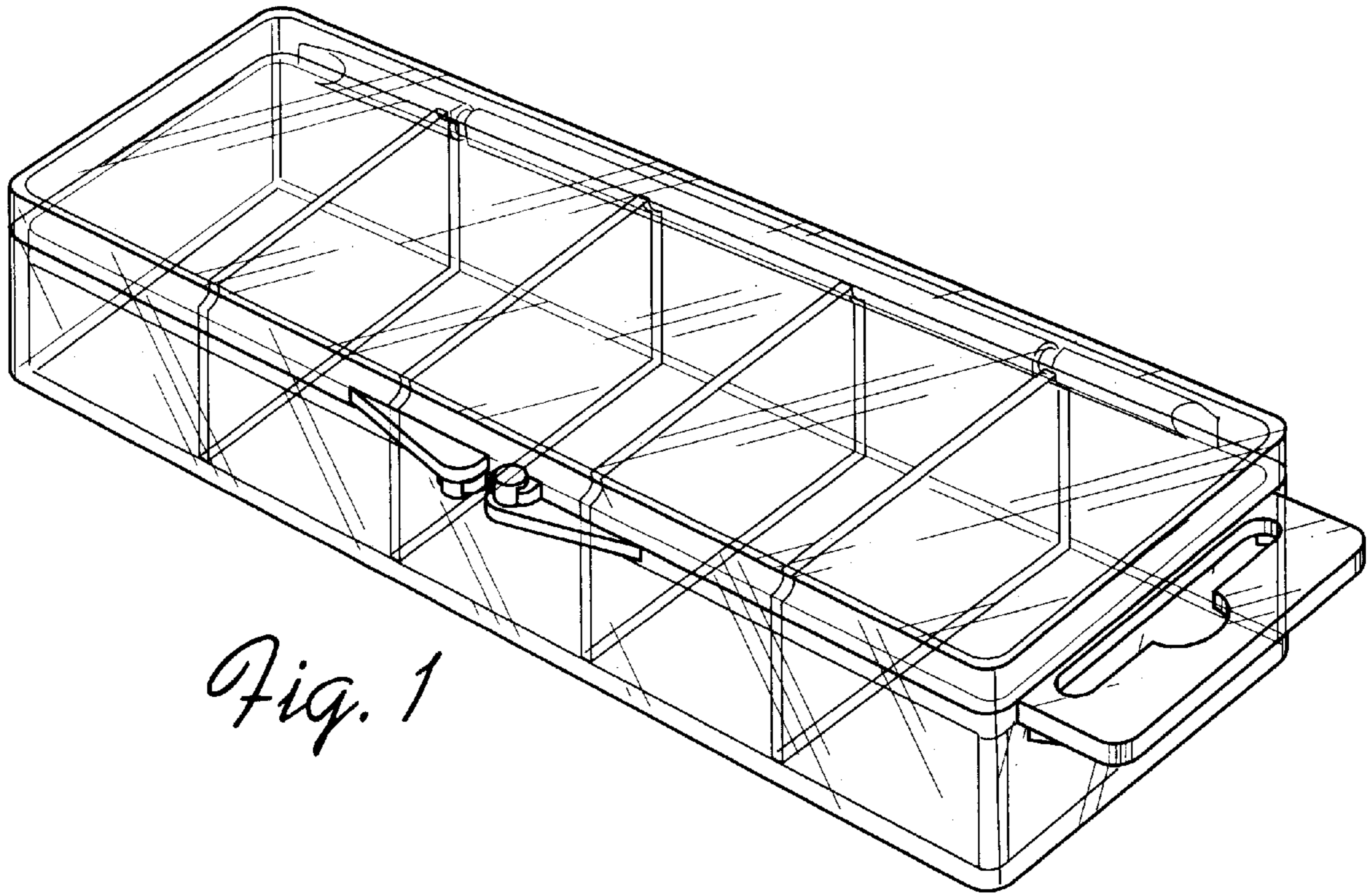


Fig. 1

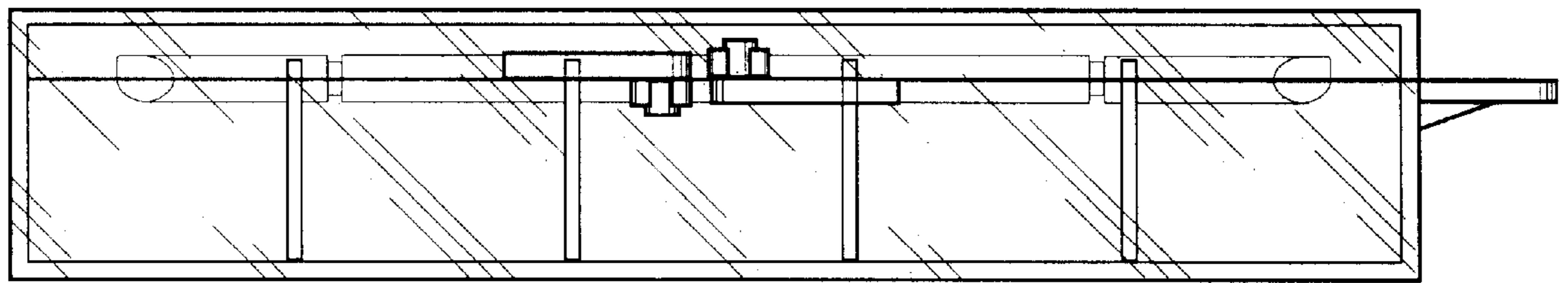


Fig. 2

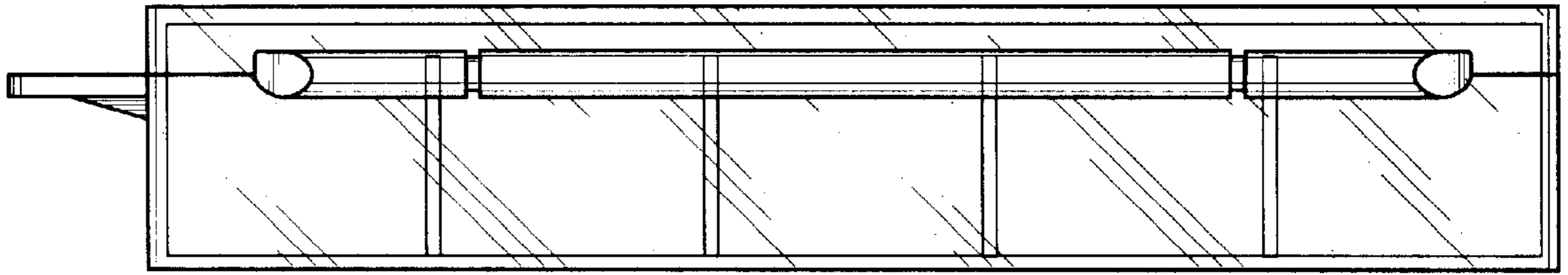


Fig. 3

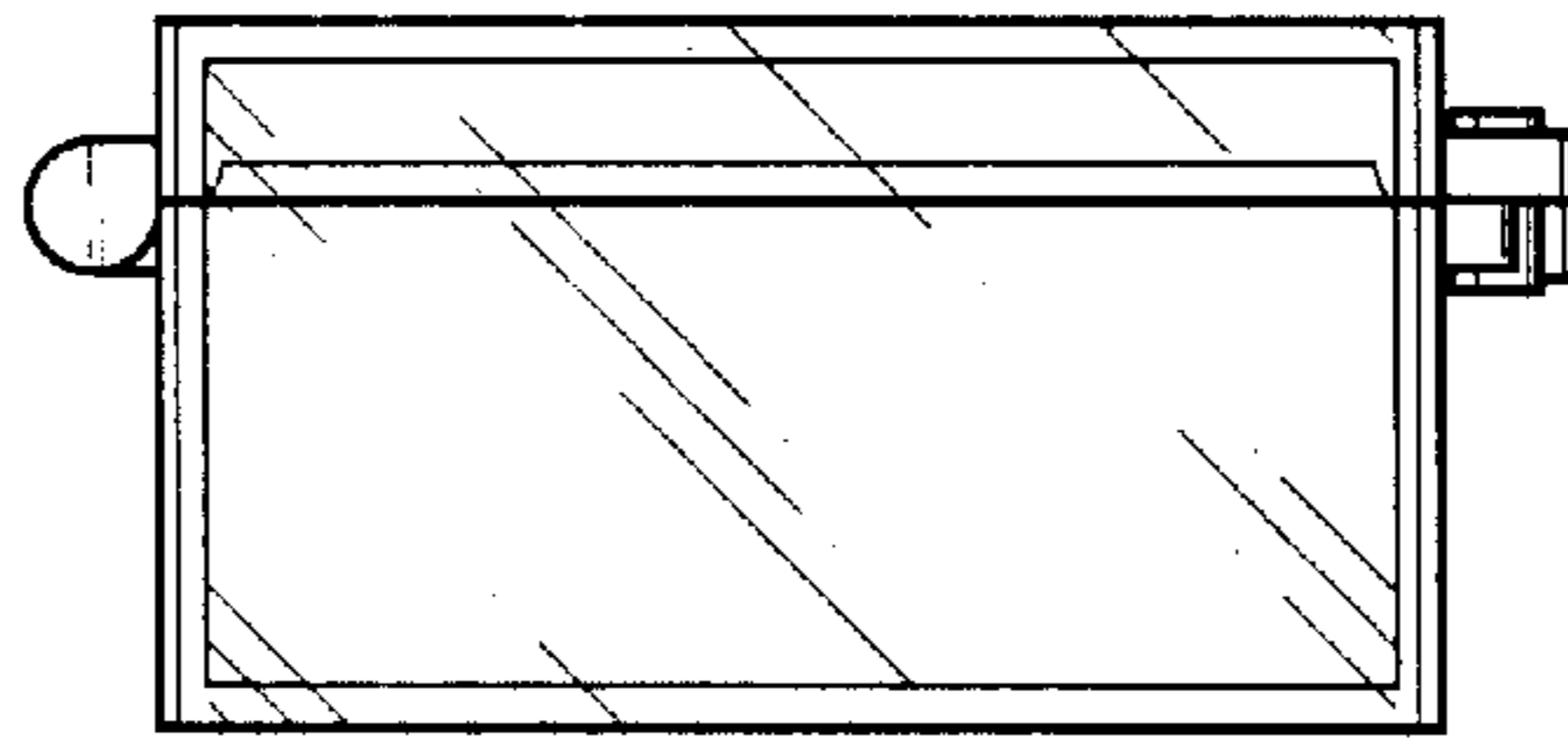


Fig. 4

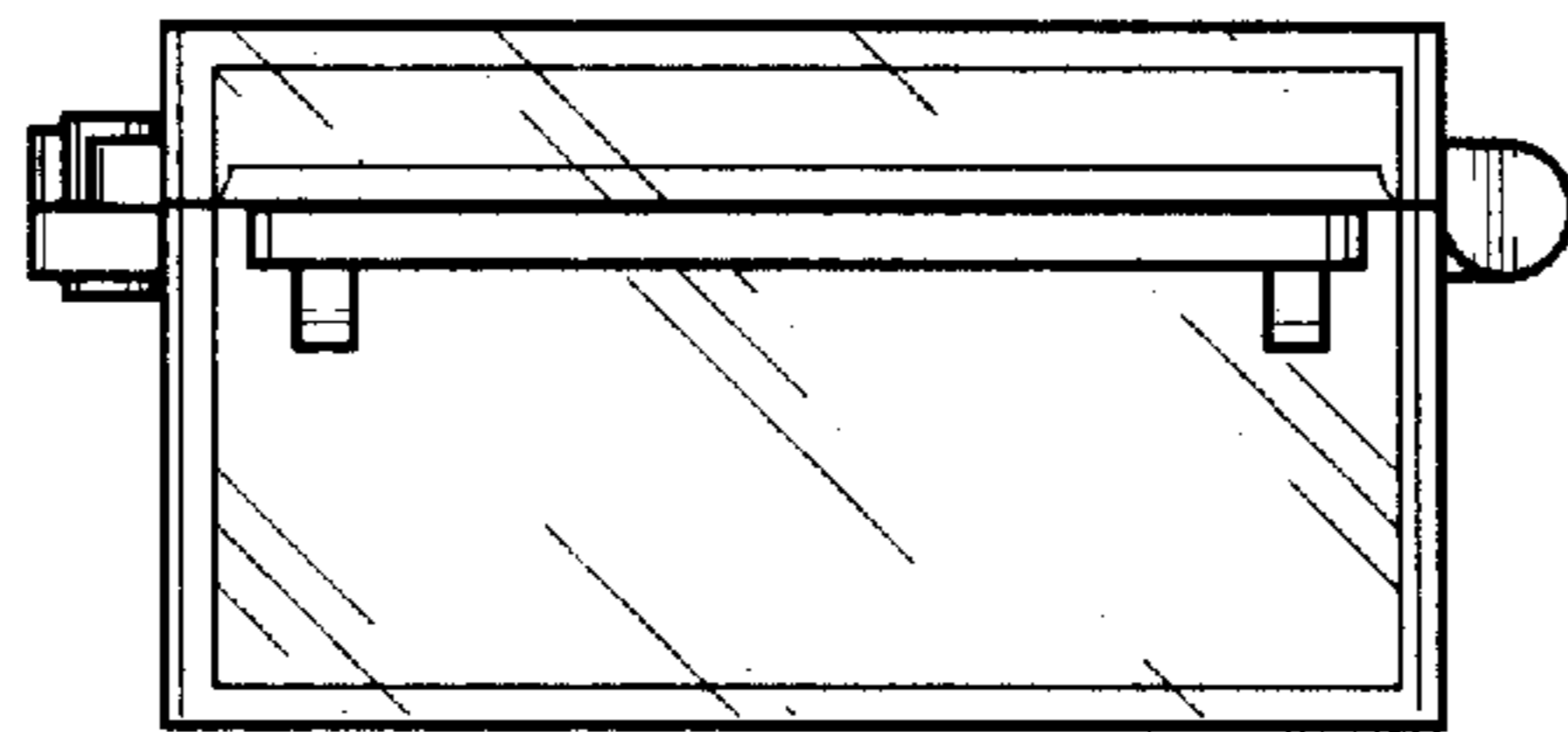


Fig. 5

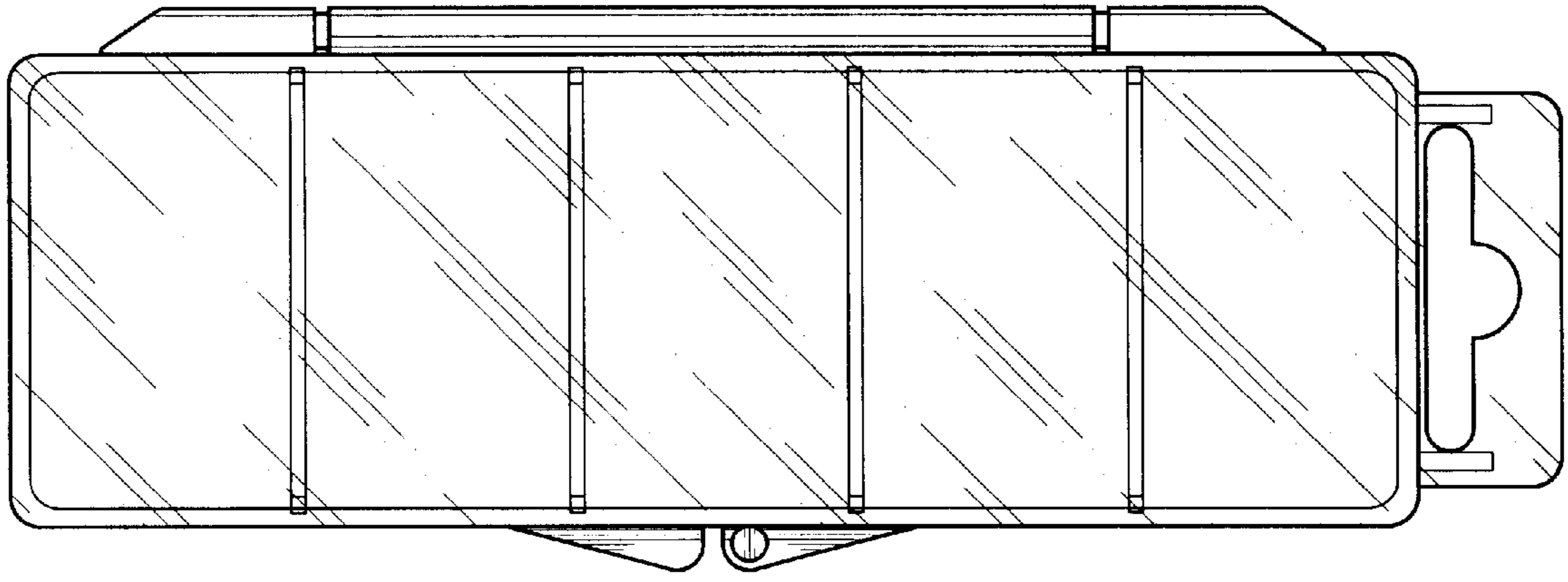


Fig. 6

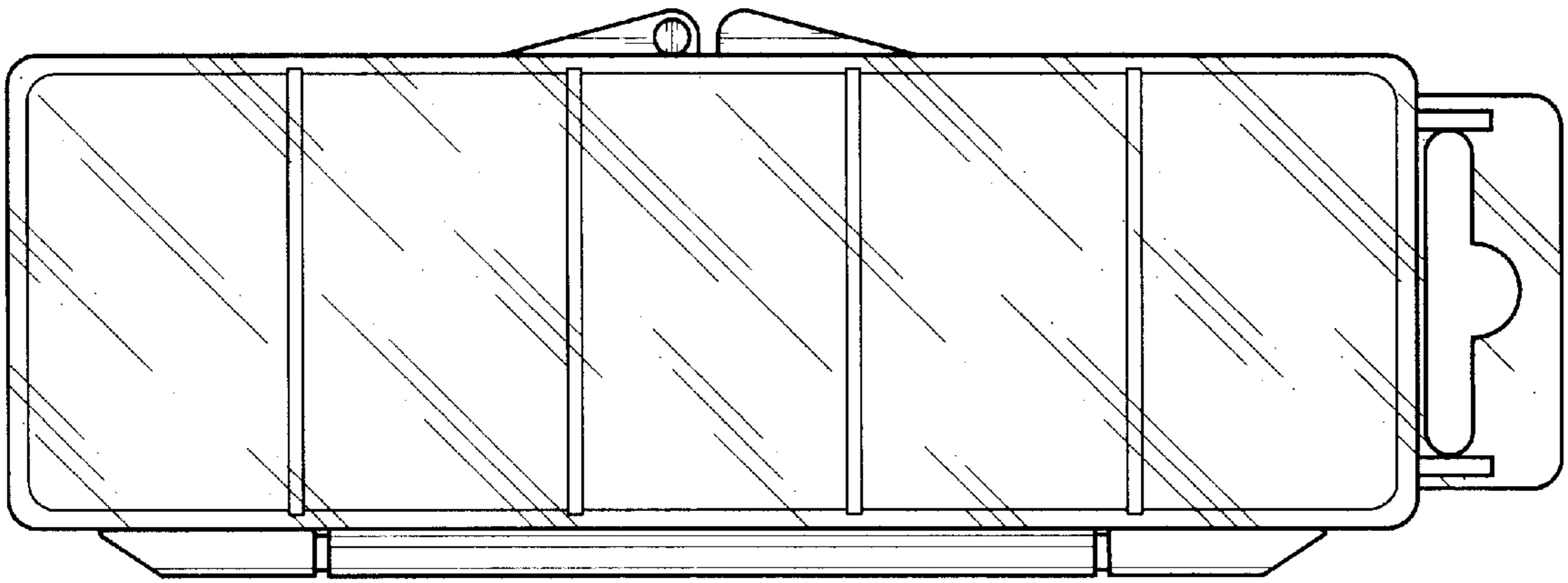


Fig. 7