



US00D443759S

(12) **United States Design Patent**  
**Bloch**

(10) **Patent No.:** **US D443,759 S**

(45) **Date of Patent:** **\*\* Jun. 19, 2001**

(54) **SHEATH FOR CUTTING TOOLS**

(75) Inventor: **David R. Bloch**, Niwot, CO (US)

(73) Assignee: **Outdoor Edge Cutlery Corporation**,  
Boulder, CO (US)

(\*\*) Term: **14 Years**

(21) Appl. No.: **29/126,304**

(22) Filed: **Jul. 12, 2000**

(51) **LOC (7) Cl.** ..... **03-01**

(52) **U.S. Cl.** ..... **D3/220**

(58) **Field of Search** ..... D3/220; 224/232,  
224/233, 240, 242; 30/151, 162; D22/117,  
118

(56) **References Cited**

**U.S. PATENT DOCUMENTS**

D. 378,243	*	3/1997	Seber	.....	D3/220
D. 384,724	*	10/1997	Uke et al.	.....	D22/118
4,942,663	*	7/1990	Ray, Sr.	.....	30/151
5,568,888	*	10/1996	Seber	.....	224/232

**OTHER PUBLICATIONS**

Ranger Joe's Cold, Steel Master Tanto and Cold Steel Master Tanto II w/Leather Sheath, 1995 p. 45.\*

\* cited by examiner

*Primary Examiner*—Louis S. Zarfes

*Assistant Examiner*—Catherine R. Oliver

(74) *Attorney, Agent, or Firm*—Donald W. Margolis

(57) **CLAIM**

The ornamental design for a sheath for cutting tools, as shown and described.

**DESCRIPTION**

FIG. 1 is a front elevational view of a sheath for cutting tools showing my new design;

FIG. 2 is a rear elevational view thereof;

FIG. 3 is a bottom plan view thereof;

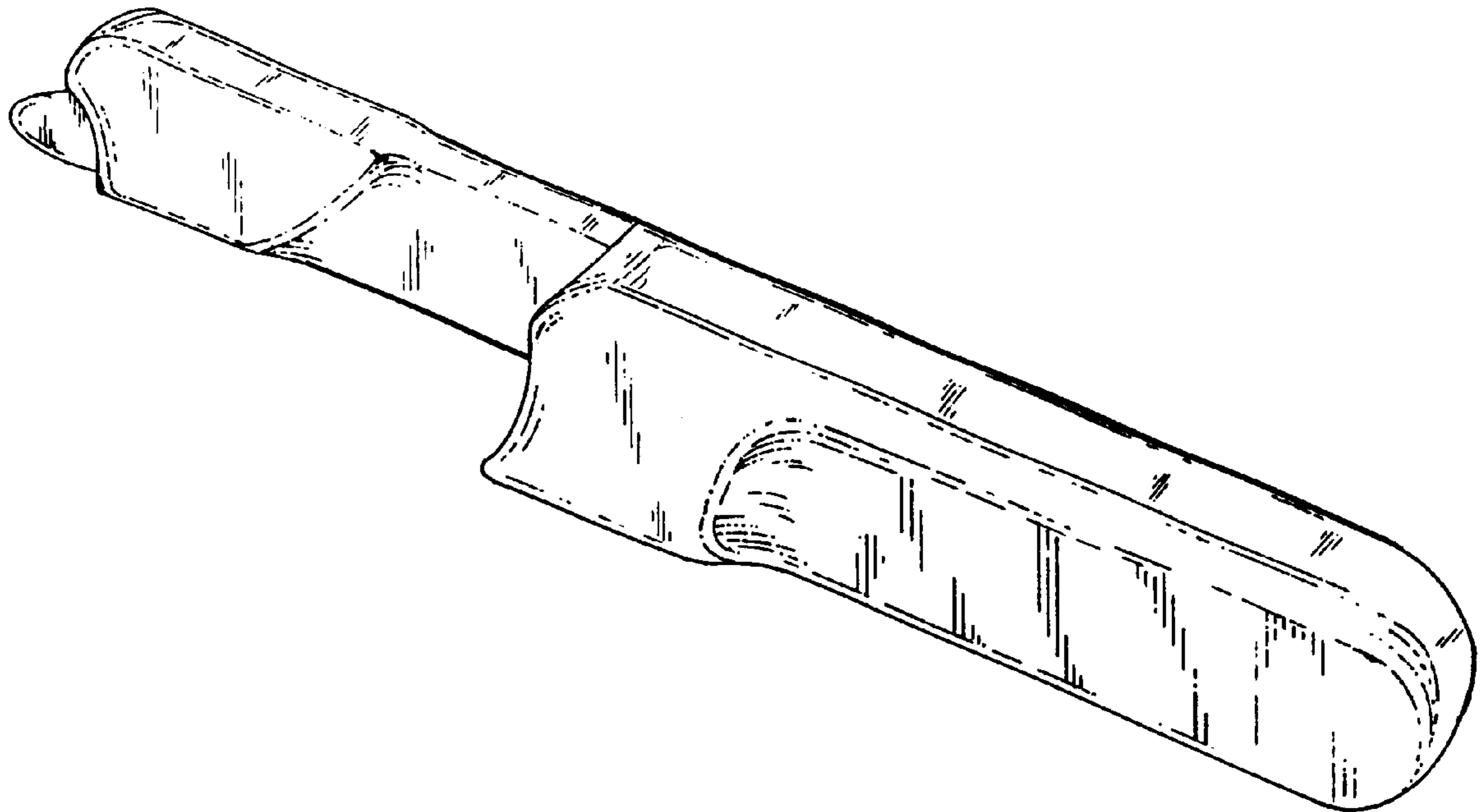
FIG. 4 is a top plan view thereof;

FIG. 5 is a right side elevational view thereof;

FIG. 6 is an left side elevational view thereof; and,

FIG. 7 is an upper right side perspective view thereof.

**1 Claim, 2 Drawing Sheets**



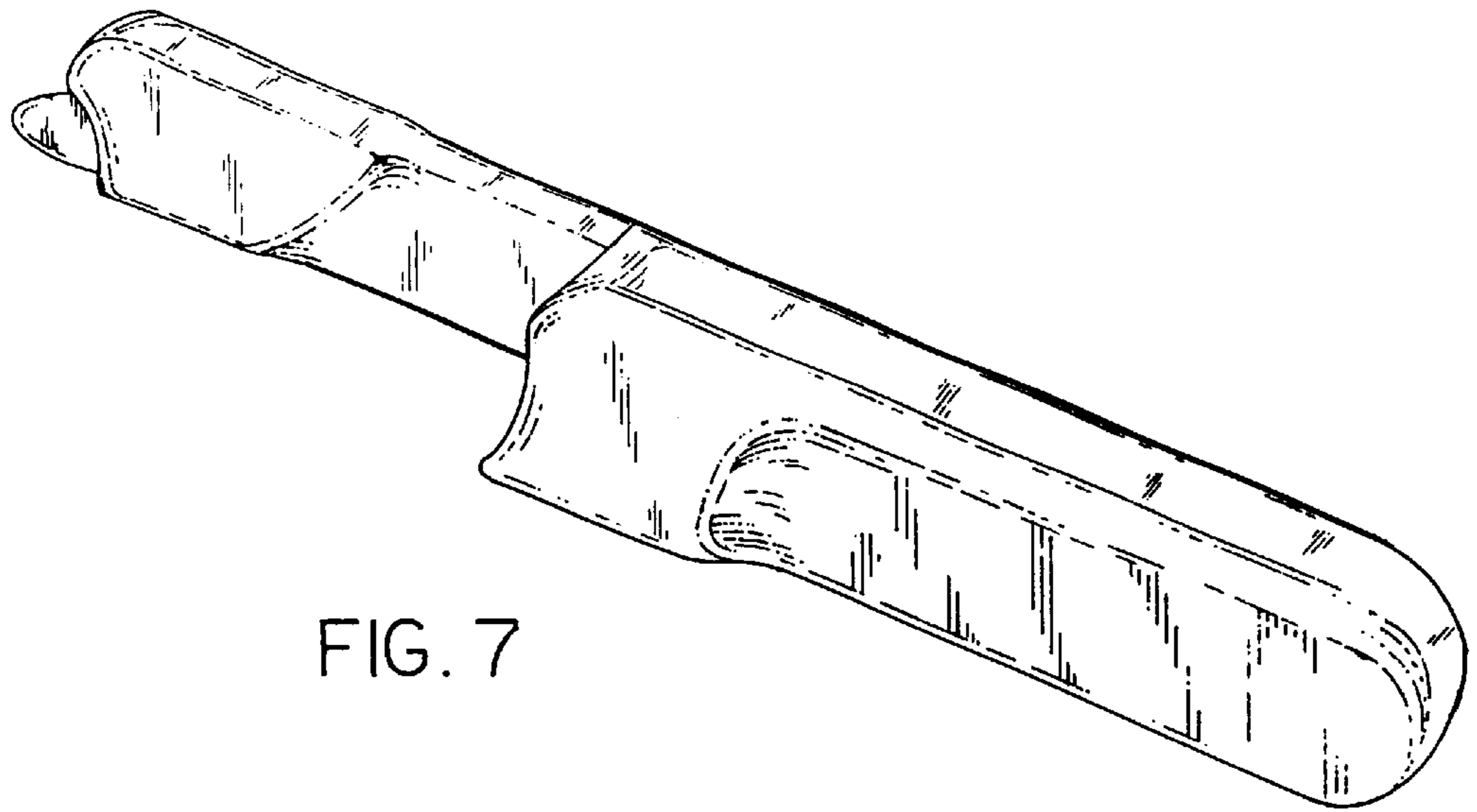


FIG. 7

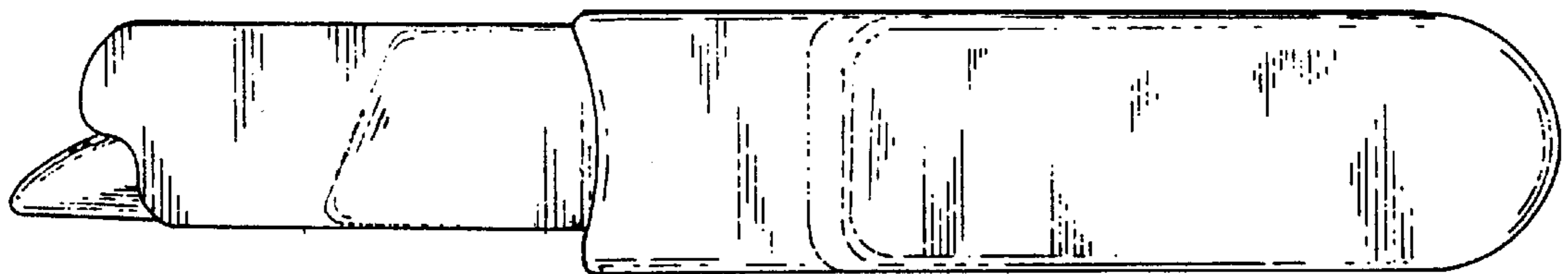


FIG. 1

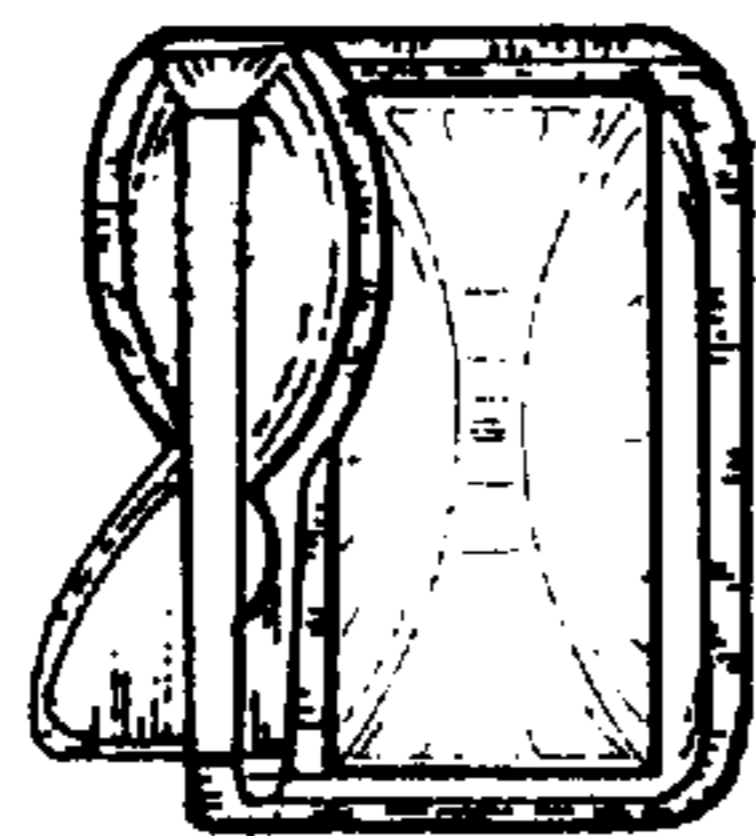


FIG. 6

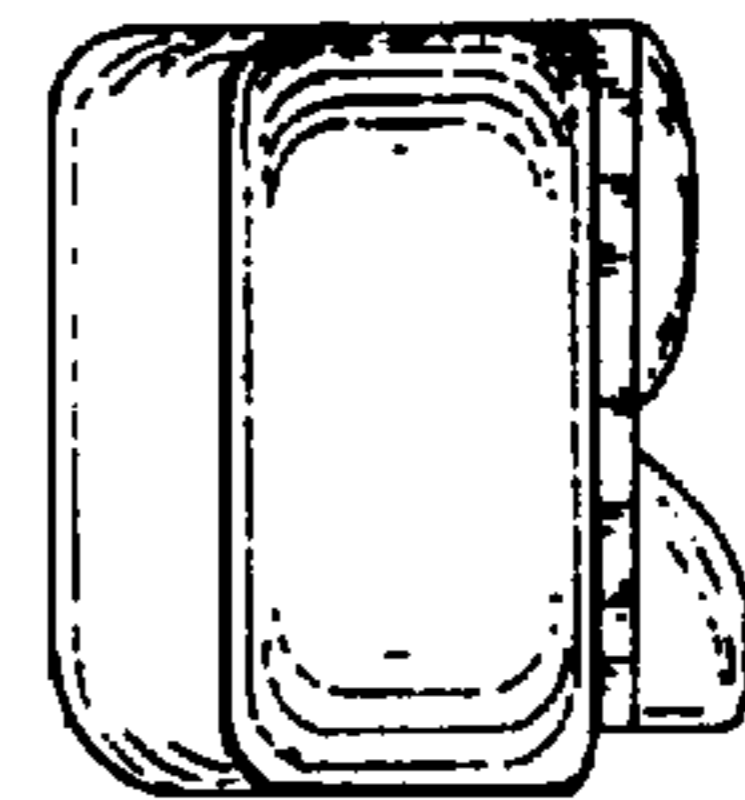


FIG. 5

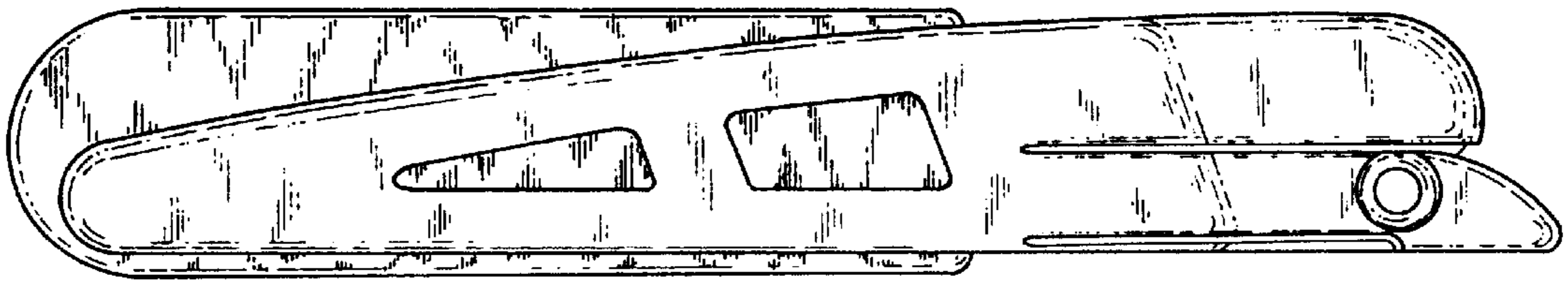


FIG. 2

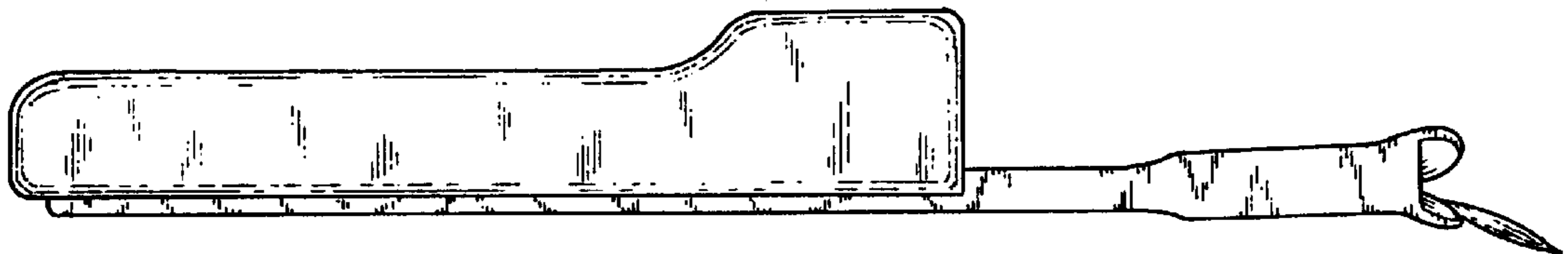


FIG. 4

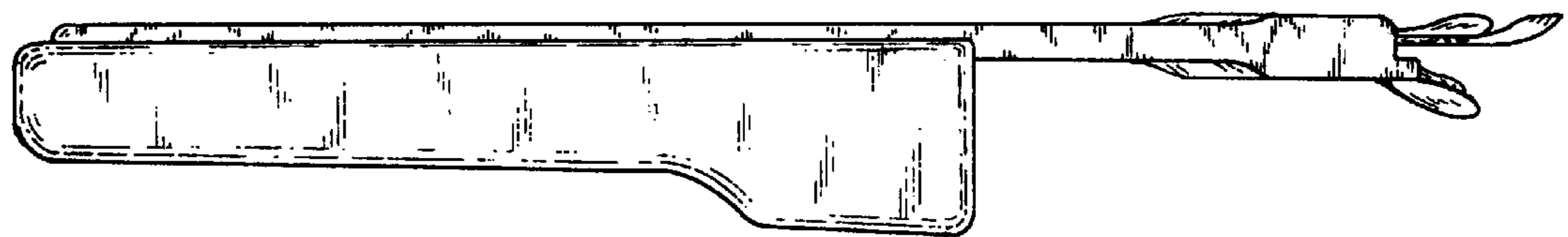


FIG. 3