



US00D443747S

(12) **United States Design Patent**
Ridge

(10) **Patent No.:** **US D443,747 S**

(45) **Date of Patent:** **** Jun. 12, 2001**

(54) **CAR JACK APPLIANCE**

(76) **Inventor:** **Ralph B. Ridge**, 5085 N. Mesa Dr.,
Castle Rock, CO (US) 80104

(**) **Term:** **14 Years**

(21) **Appl. No.:** **29/131,606**

(22) **Filed:** **Oct. 24, 2000**

(51) **LOC (7) Cl.** **12-05**

(52) **U.S. Cl.** **D34/31; D34/35**

(58) **Field of Search** **D34/31, 35, 28;**
254/93 R, 1, 8 R, 2 R, 11, 12, 13; D12/197;
D13/183

(56) **References Cited**

U.S. PATENT DOCUMENTS

D. 229,698	*	12/1973	Kretzer	D13/183
D. 305,823	*	1/1990	Persson	D34/31
D. 307,345	*	4/1990	Persson et al.	D34/31
D. 341,016	*	11/1993	Wada et al.	D34/35
D. 347,920	*	6/1994	Sell	D34/35

D. 425,281	*	5/2000	Ridge	D34/31
D. 431,512	*	10/2000	Pink	D12/197
3,871,619	*	3/1975	Simon	254/93 R
4,182,018	*	1/1980	Gulicher	254/93 R
4,360,187	*	11/1982	Chapman	254/8 R
5,848,668	*	12/1998	Kafrissen et al.	254/2 R

* cited by examiner

Primary Examiner—Cynthia E Ramirez

(74) *Attorney, Agent, or Firm*—Dorr, Carson, Sloan & Birney, P.C.

(57) **CLAIM**

The ornamental design for a car jack appliance, as shown and described.

DESCRIPTION

FIG. 1 is a top perspective view of the car jack appliance.
FIG. 2 is a front view of the car jack appliance.
FIG. 3 is a left side view of the car jack appliance.
FIG. 4 is a top view of the car jack appliance; and,
FIG. 5 is a bottom view of the car jack appliance.

1 Claim, 1 Drawing Sheet

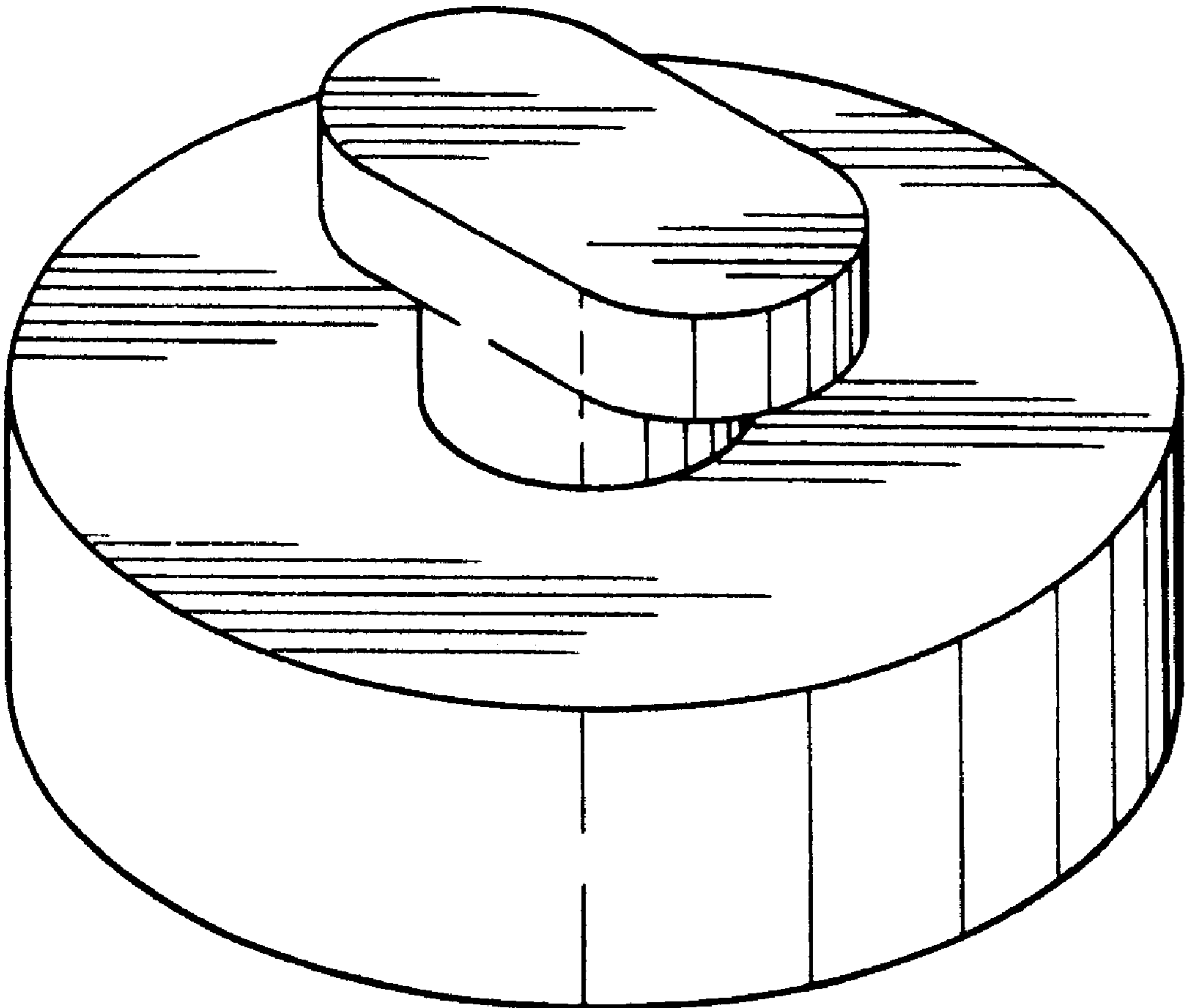


Fig. 1

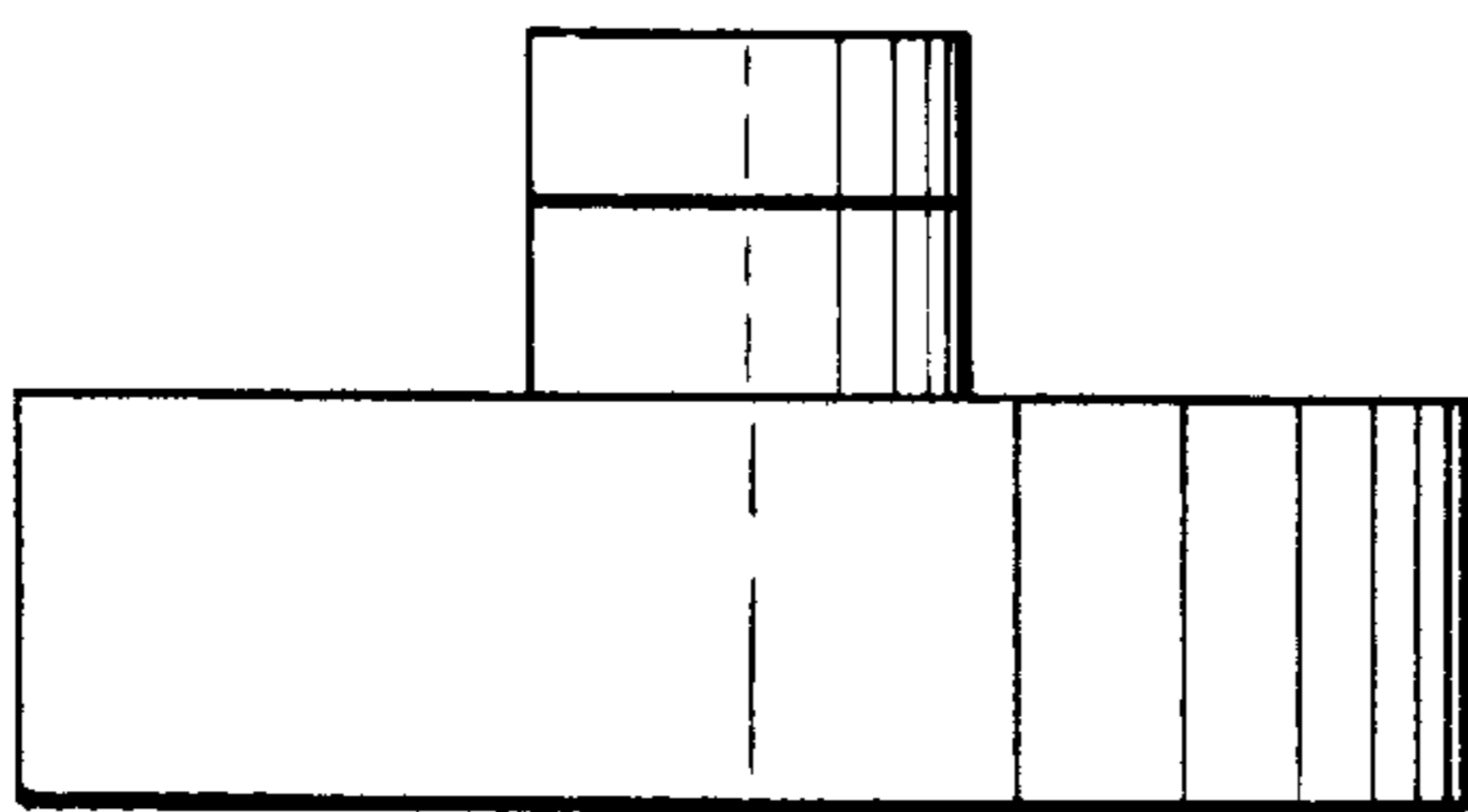
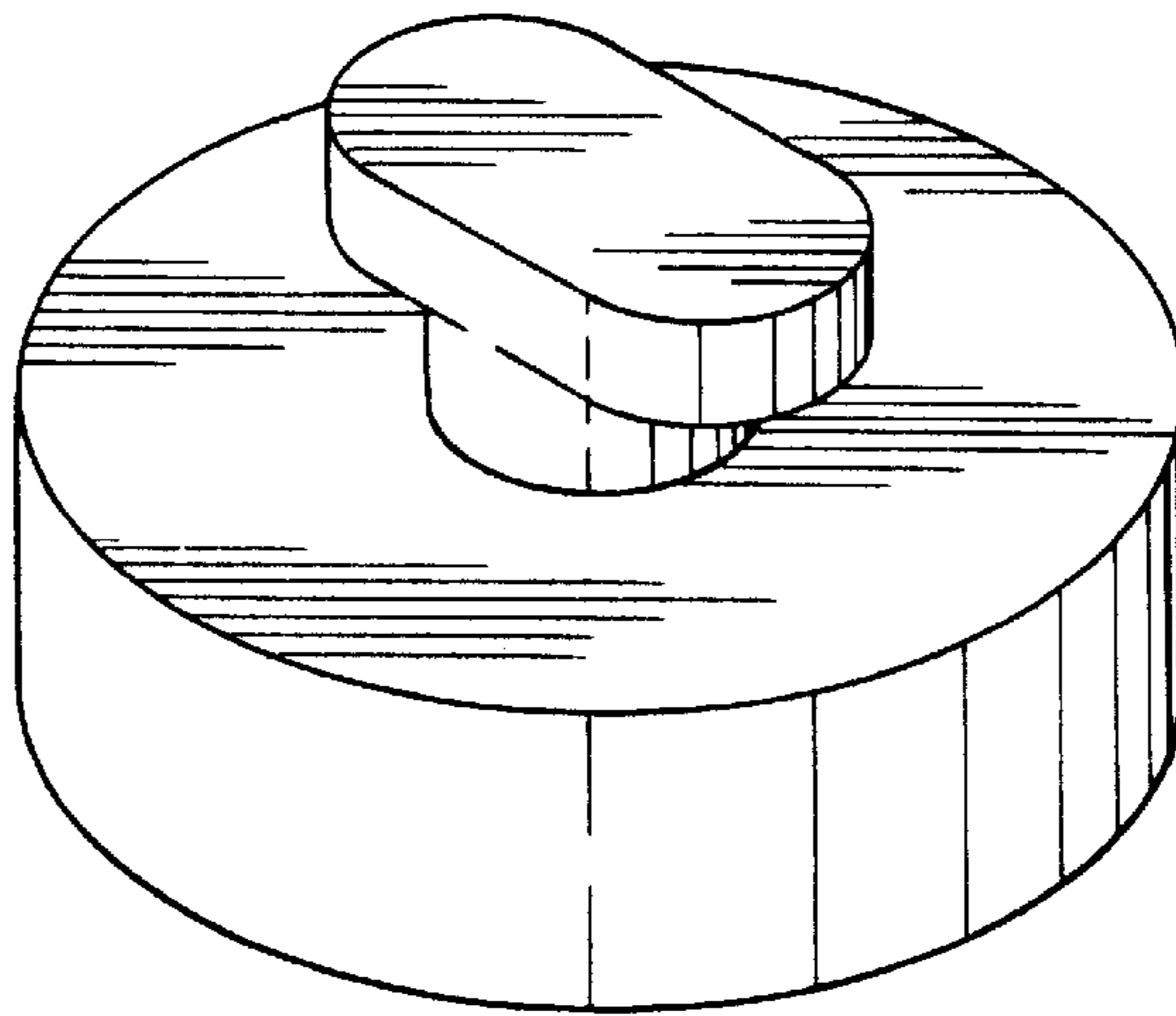


Fig. 2

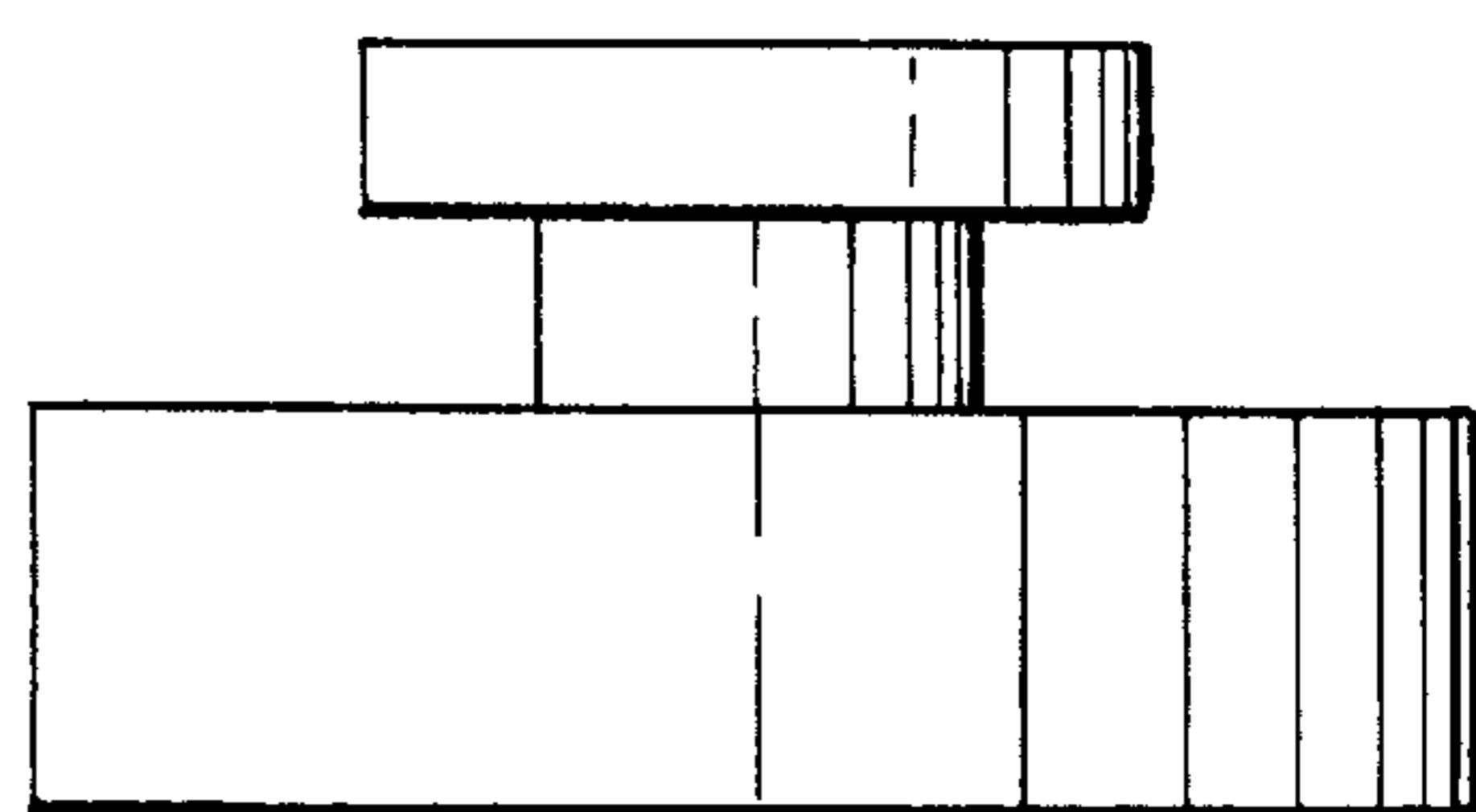


Fig. 3

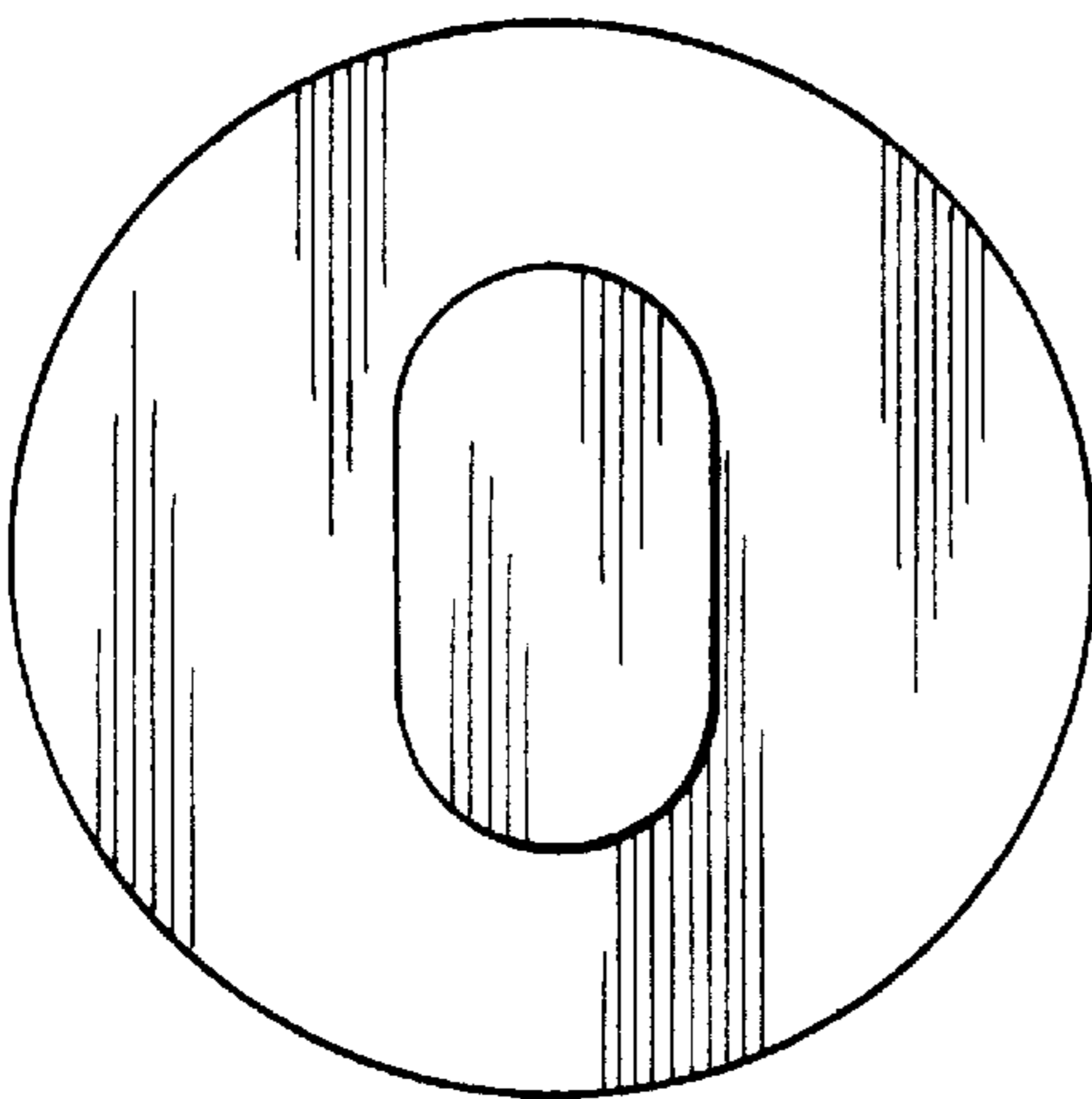


Fig. 4

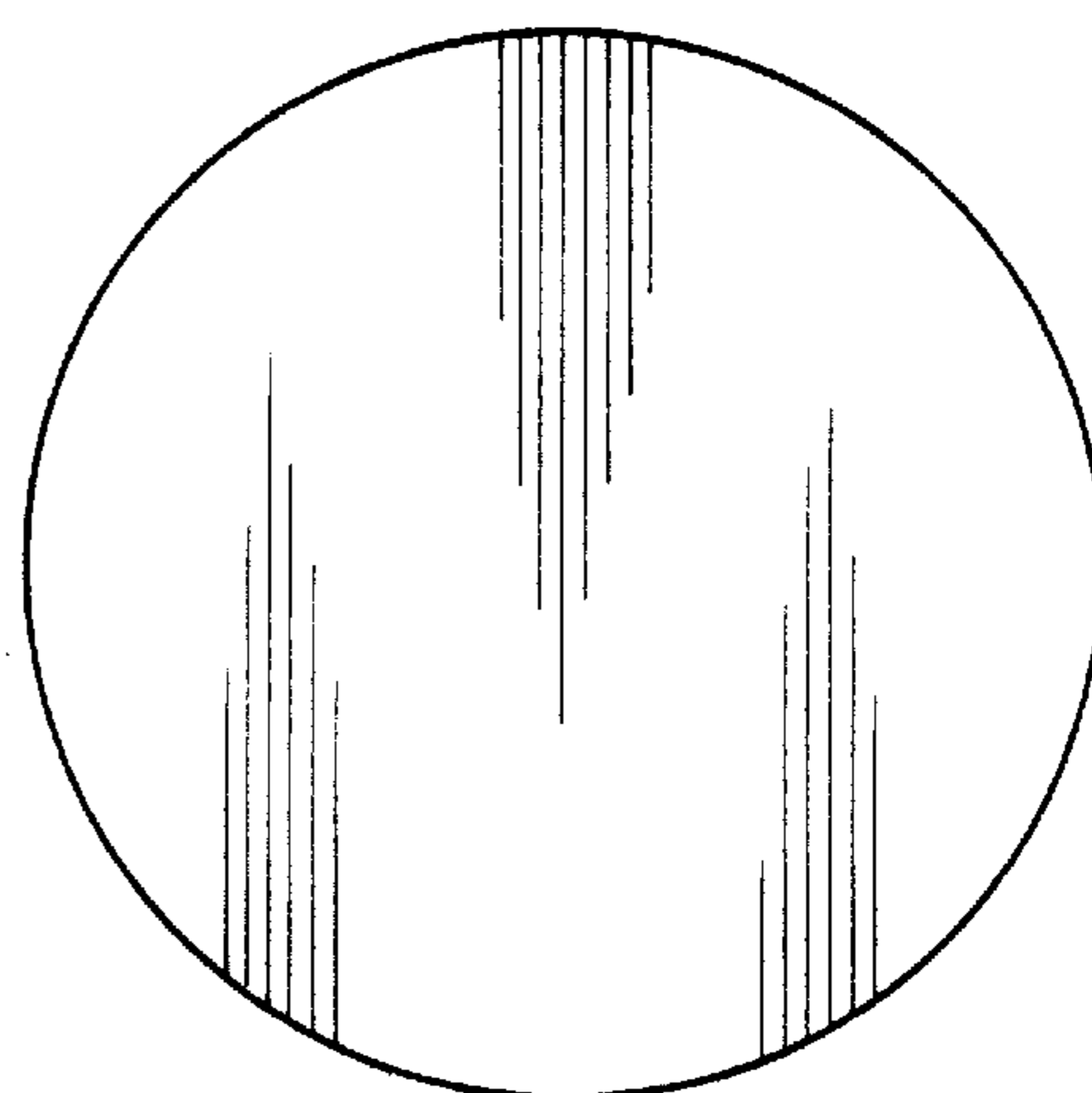


Fig. 5