



US00D443746S

(12) **United States Design Patent**
Bellamy, Jr. et al.

(10) **Patent No.:** **US D443,746 S**

(45) **Date of Patent:** **** Jun. 12, 2001**

(54) **FISHING EQUIPMENT CADDY**

(76) Inventors: **Thomas V. Bellamy, Jr.; Thomas D. Bellamy**, both of 138 Bellamy La., Myrtle Beach, SC (US) 29577

(**) Term: **14 Years**

(21) Appl. No.: **29/132,395**

(22) Filed: **Nov. 9, 2000**

(51) **LOC (7) Cl.** **12-02**

(52) **U.S. Cl.** **D34/24; D30/199**

(58) **Field of Search** D30/199; D34/24, D34/26, 12, 1, 2, 7; 280/47.12, 47.24, 47.34, 47.18, 47.19, 47.27, 47.29, 659, 654, 655, 652, 646, 47.21

(56) **References Cited**

U.S. PATENT DOCUMENTS

- D. 323,413 * 1/1992 Miller D34/26
- D. 339,442 * 9/1993 Holtz D34/26

- D. 376,238 * 12/1996 Tsal D34/24
- D. 424,266 * 5/2000 McIntyre D34/24
- 5,127,664 * 7/1992 Cheng 280/655
- 6,082,757 * 7/2000 Lin 280/654

* cited by examiner

Primary Examiner—Pamela Burgess

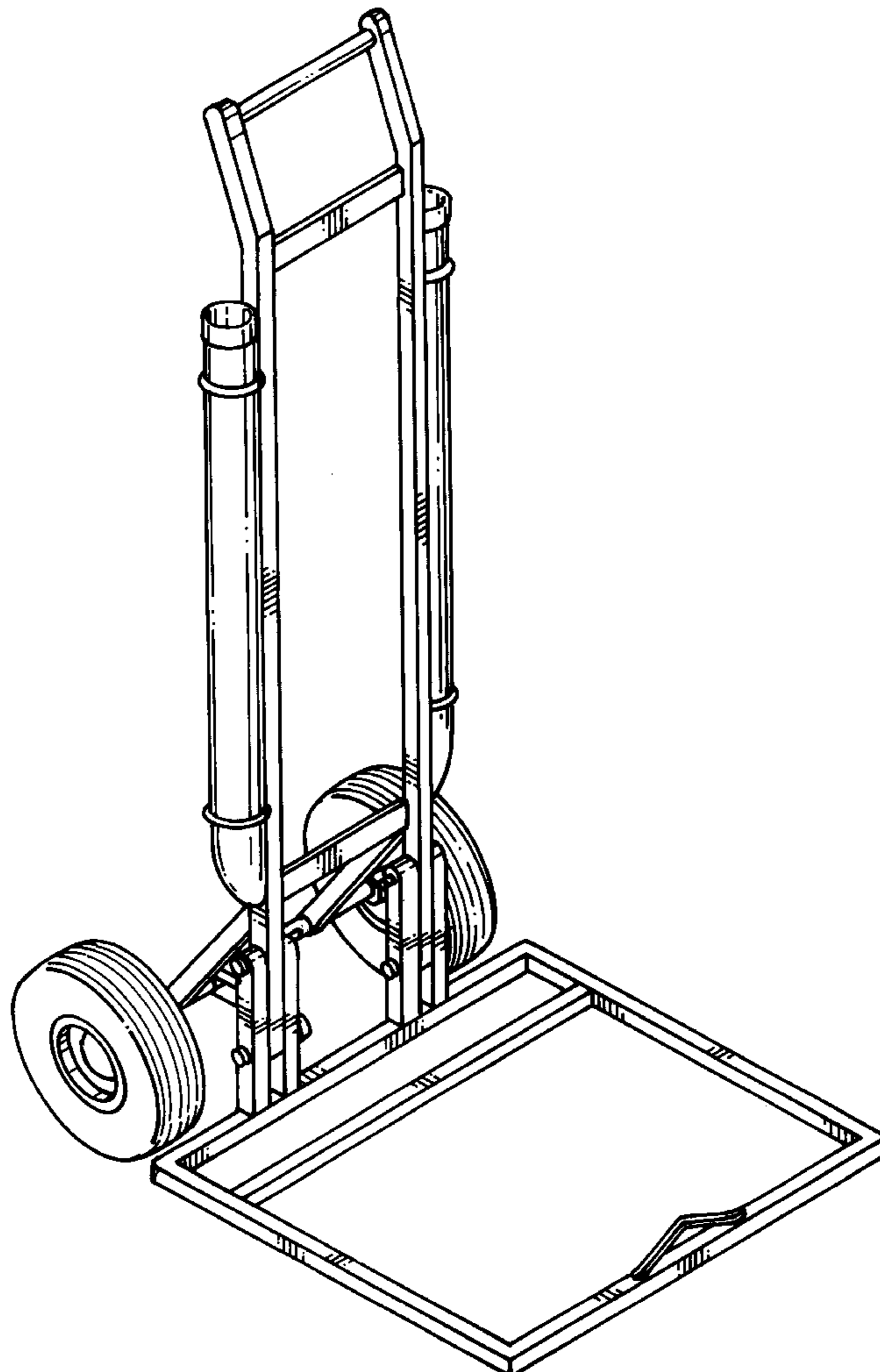
(57) **CLAIM**

We claim the ornamental design for a fishing equipment caddy, as shown and described.

DESCRIPTION

FIG. 1 is a perspective view of a fishing equipment caddy, showing our new design;
 FIG. 2 is a front elevational view thereof;
 FIG. 3 is a rear elevational view thereof;
 FIG. 4 is a left side elevational view thereof; the right side elevational view being a mirror image of this Figure;
 FIG. 5 is a top plan view thereof; and,
 FIG. 6 is a bottom plan view thereof.

1 Claim, 4 Drawing Sheets



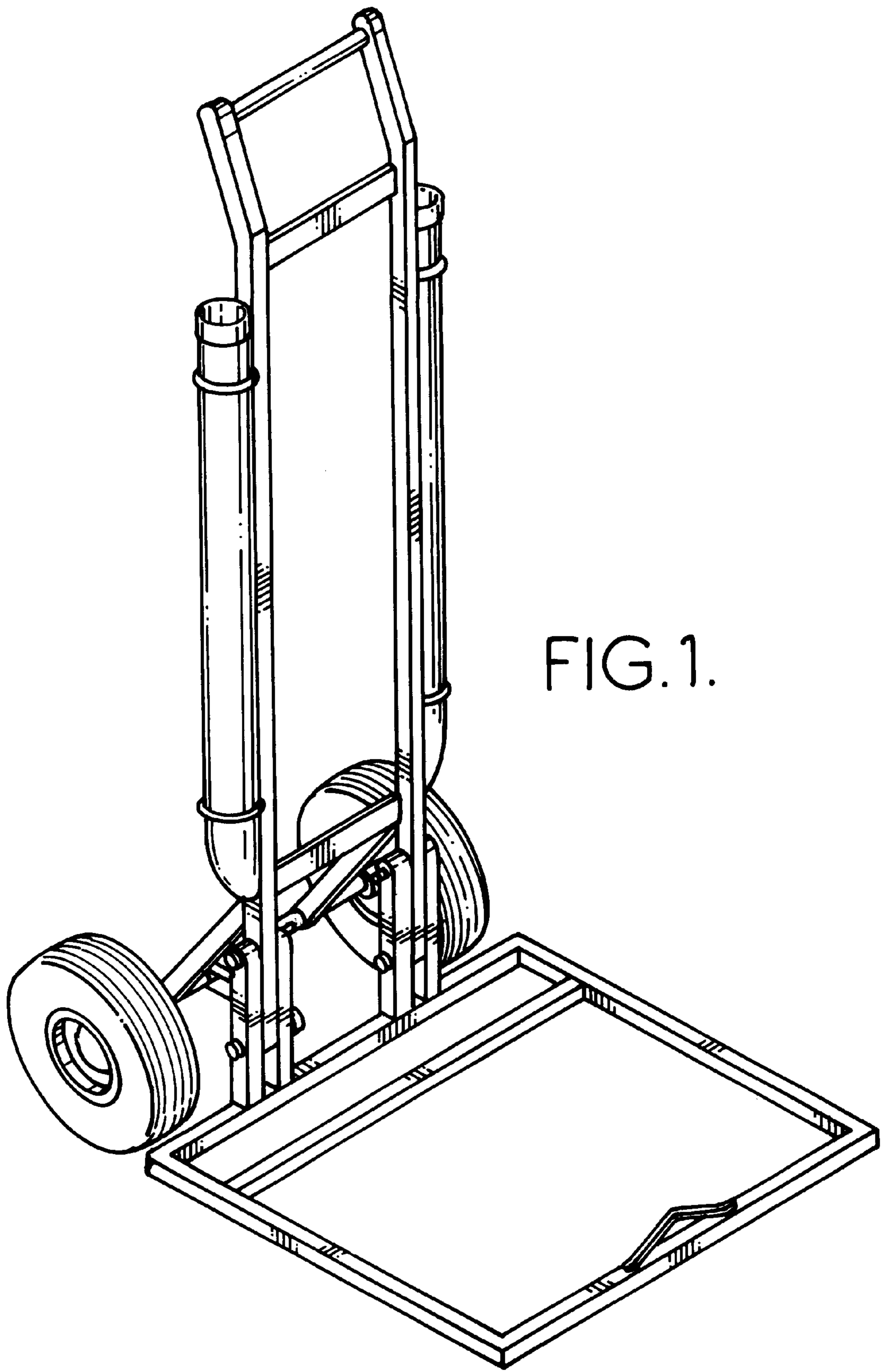


FIG. 1.

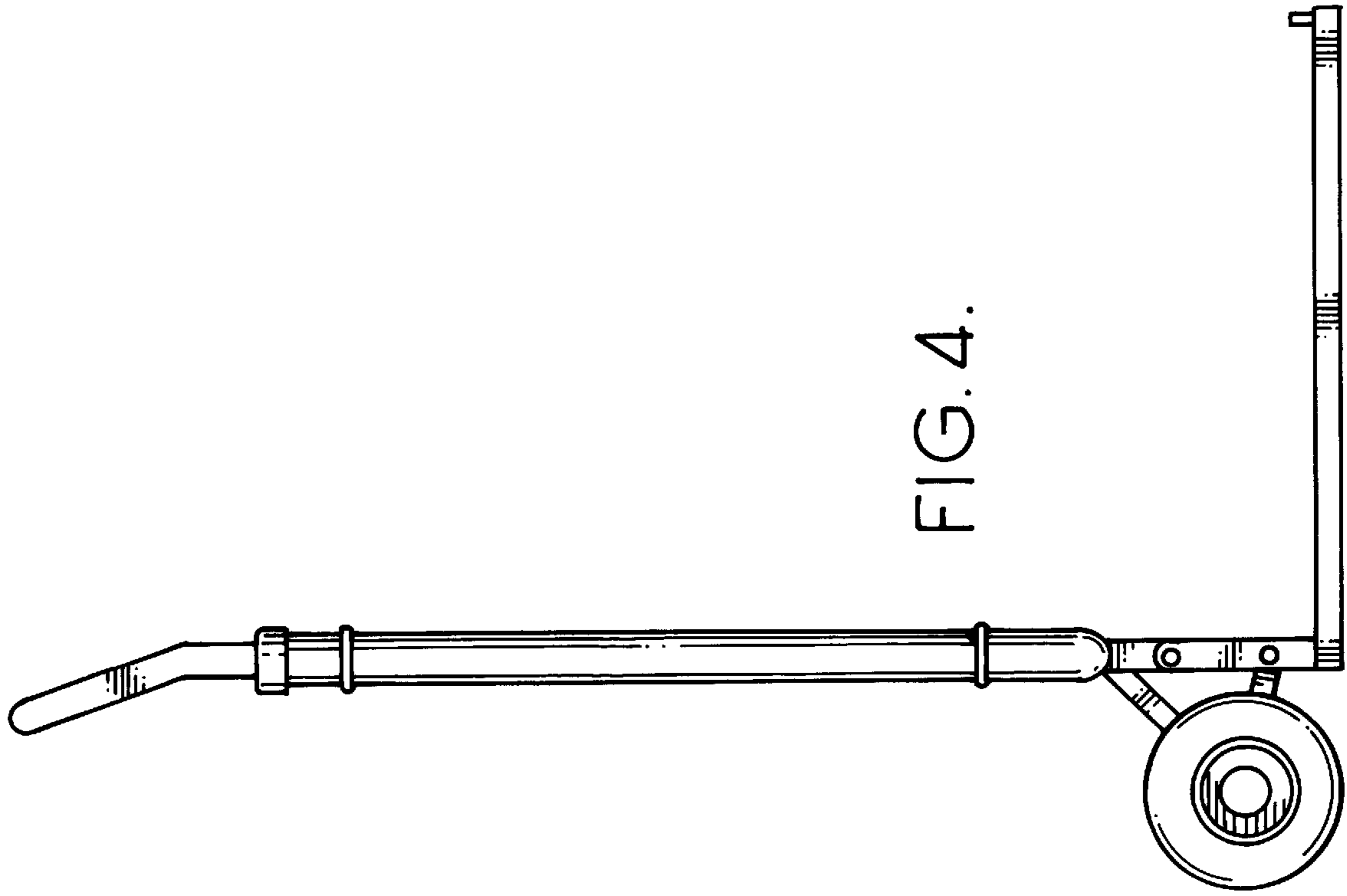


FIG. 4.

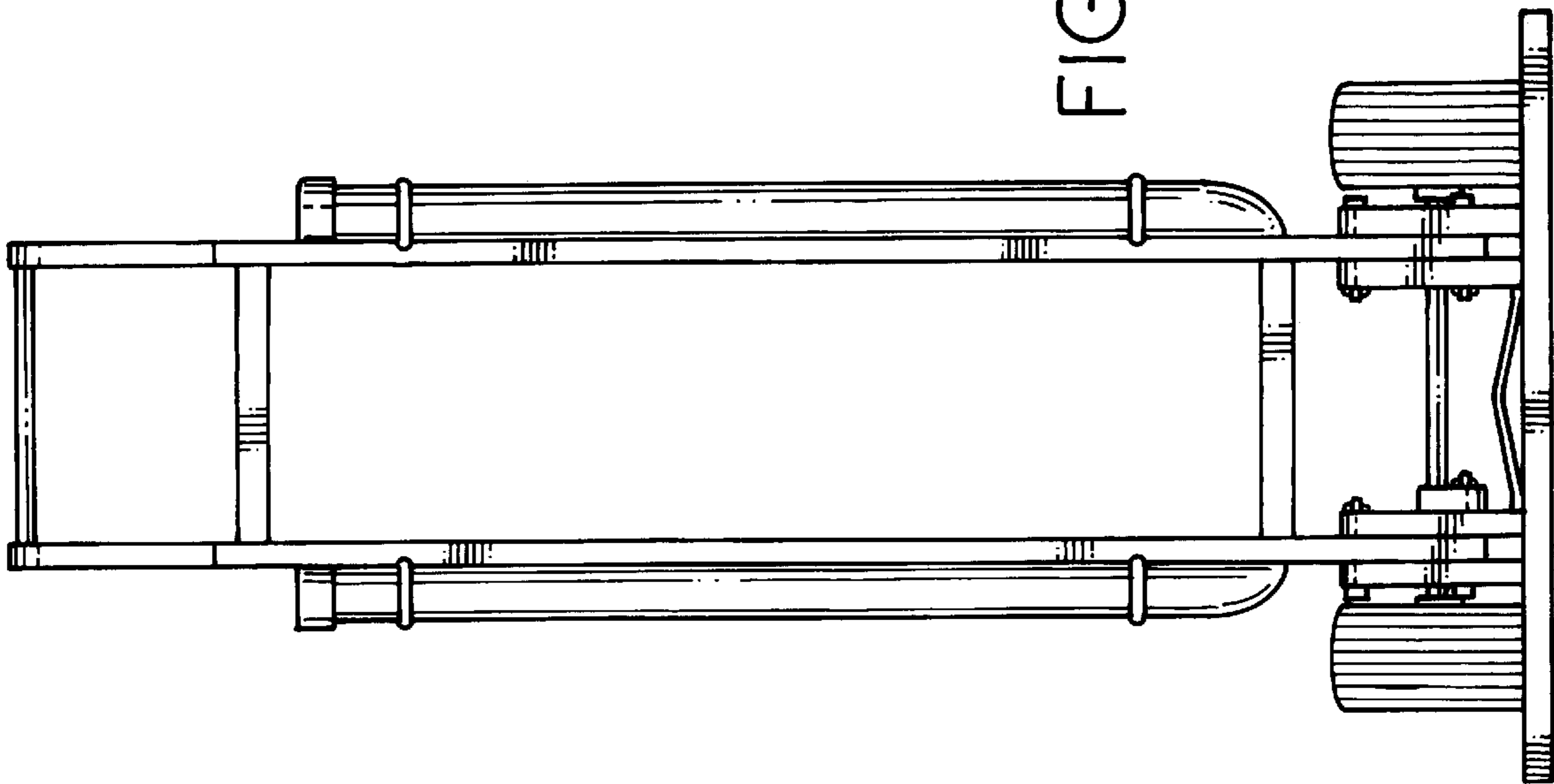


FIG. 2.

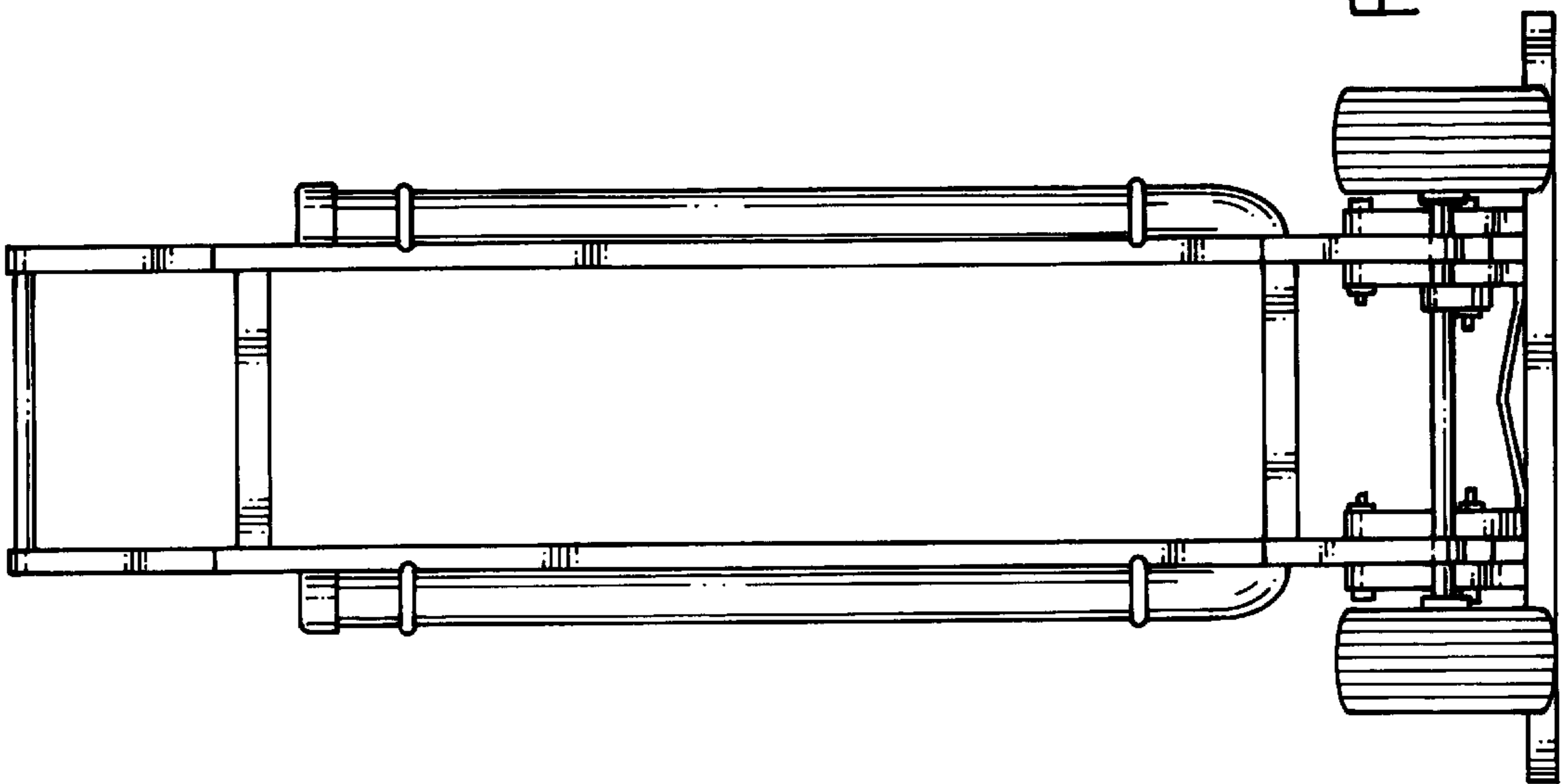


FIG. 3.

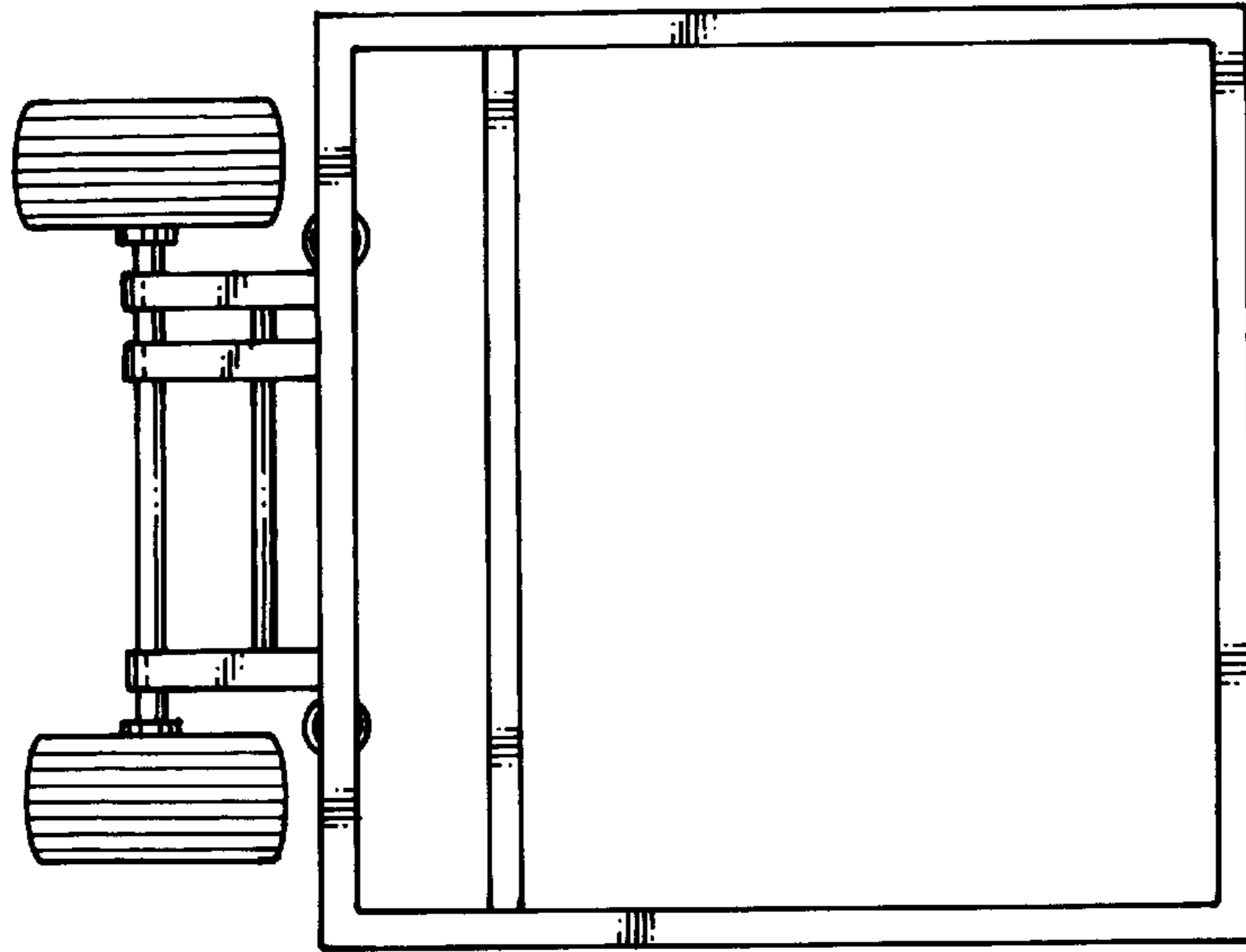


FIG. 6.

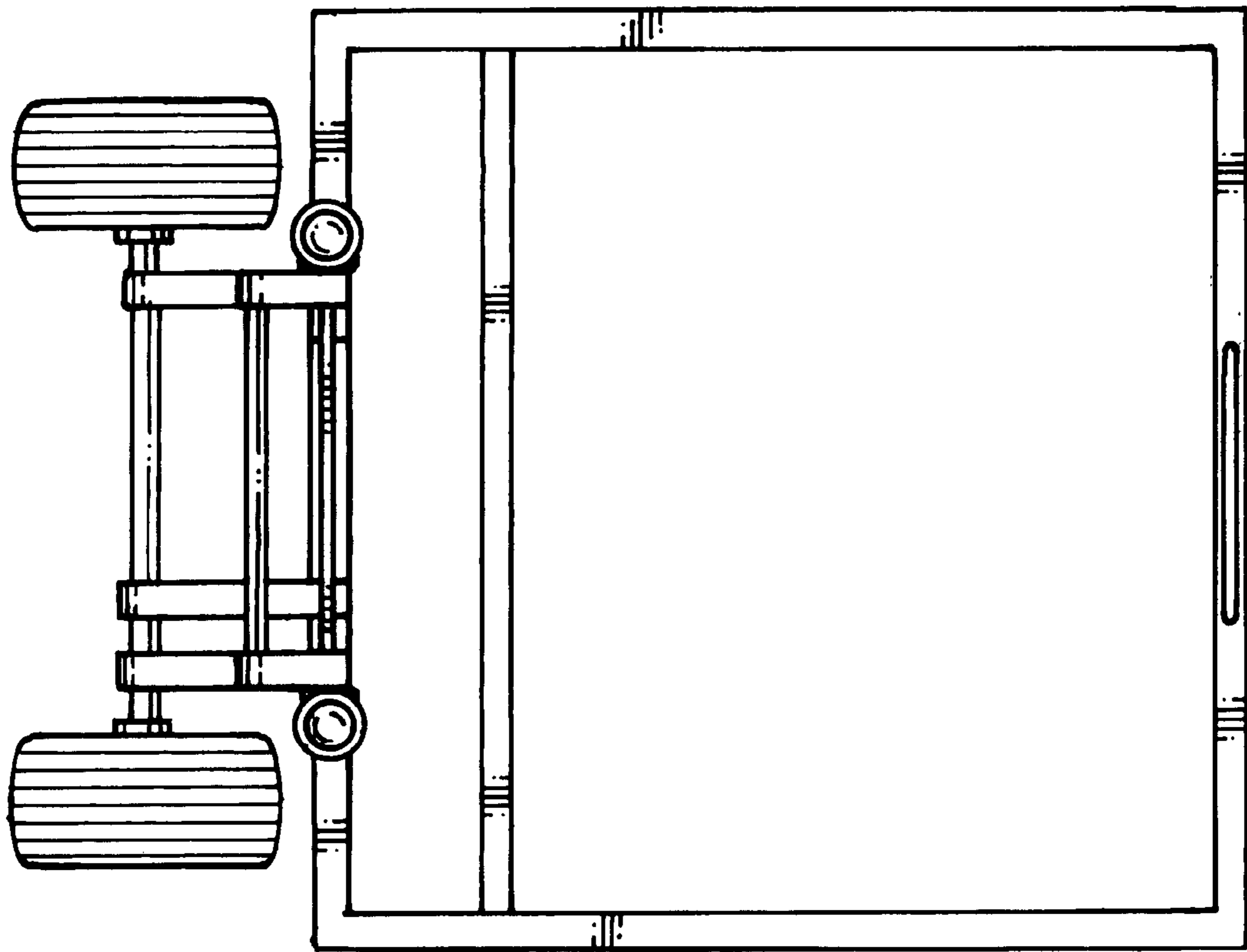


FIG. 5.