



US00D443742S

(12) **United States Design Patent**
Williams-Wynn

(10) **Patent No.:** **US D443,742 S**

(45) **Date of Patent:** **** Jun. 12, 2001**

(54) **COMBINED TELESCOPING CLEANING
TOOL AND HOLDER THEREFOR**

(76) **Inventor:** **Shelley M Williams-Wynn**, 450
Hazelhurst Ave., Apt 10, Syracuse, NY
(US) 13206

(**) **Term:** **14 Years**

(21) **Appl. No.:** **29/118,919**

(22) **Filed:** **Feb. 18, 2000**

(51) **LOC (7) Cl.** **08-05**

(52) **U.S. Cl.** **D32/42; D32/45**

(58) **Field of Search** D32/35, 40, 42,
D32/45, 51; 15/104.92, 105, 143.1, 144.4,
208, 209.1, 211; 401/271, 272, 286, 288

(56) **References Cited**

U.S. PATENT DOCUMENTS

D. 252,250	7/1979	Hobbs .	
D. 330,788	11/1992	Berti .	
1,643,762 *	9/1927	Bennett	401/288
1,714,350	5/1929	De Jong .	
2,742,660	4/1956	Van Esley .	
3,187,365	6/1965	Paul .	

3,434,177 *	3/1969	Parry	15/209.1 X
4,875,602	10/1989	Chickering et al. .	
4,886,388	12/1989	Gulker et al. .	
4,987,634 *	1/1991	Weihrauch	15/209.1
5,092,013 *	3/1992	Genovese, Jr.	15/209.1 X

* cited by examiner

Primary Examiner—Alan P. Douglas

Assistant Examiner—Lavone Tabor

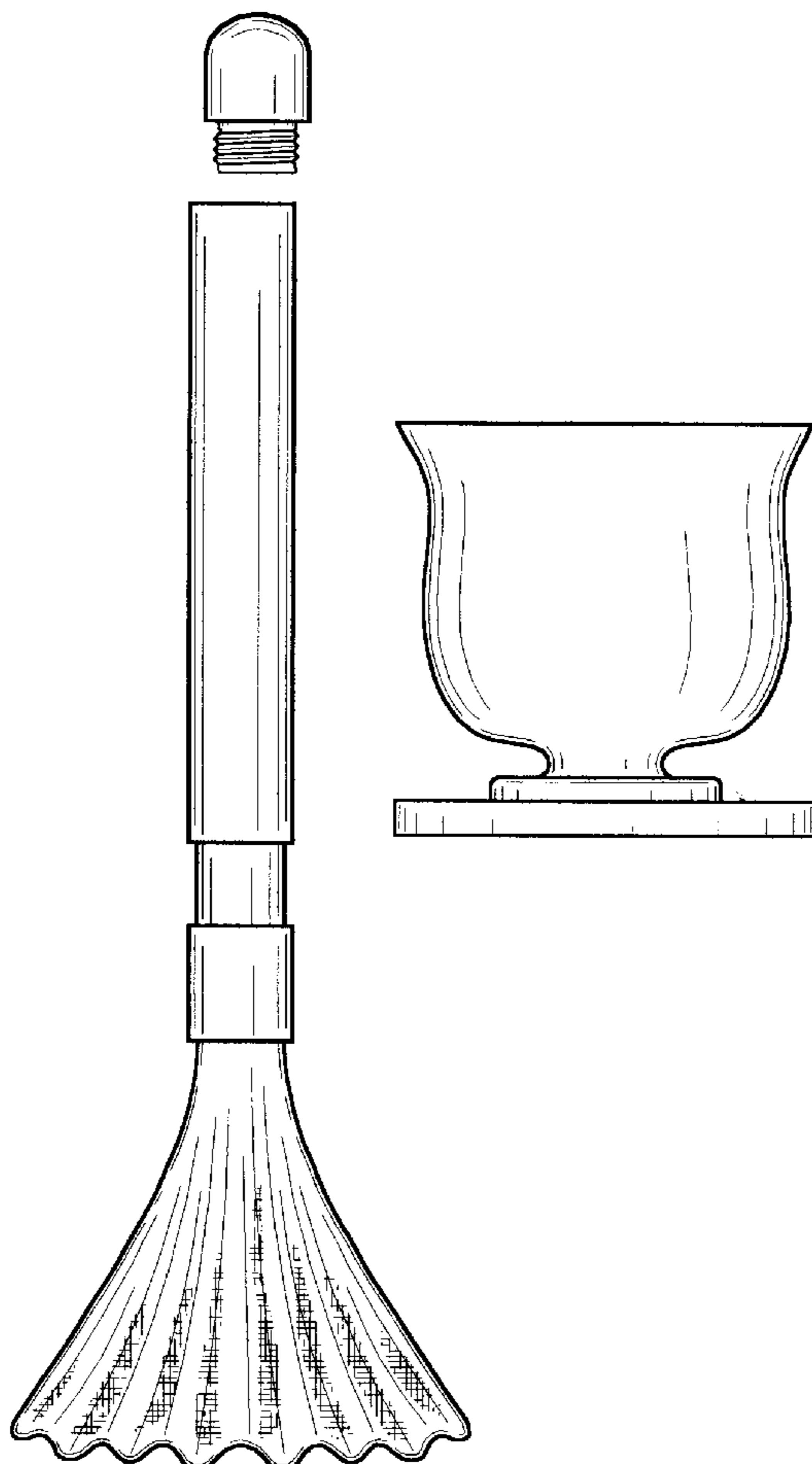
(57) **CLAIM**

The ornamental design for a combined telescoping cleaning tool and holder therefor, as shown and described.

DESCRIPTION

FIG. 1 is an exploded front elevational view of a combined telescoping cleaning tool and holder therefor showing my new design, the rear being a mirror image;
FIG. 2 is a left side elevational view of FIG. 1, the right side being a mirror image;
FIG. 3 is an assembled side elevational view of FIG. 1 with the holder shown in cross section;
FIG. 4 is top plan view of FIG. 1; and,
FIG. 5 is a bottom plan view of FIG. 1.

1 Claim, 3 Drawing Sheets



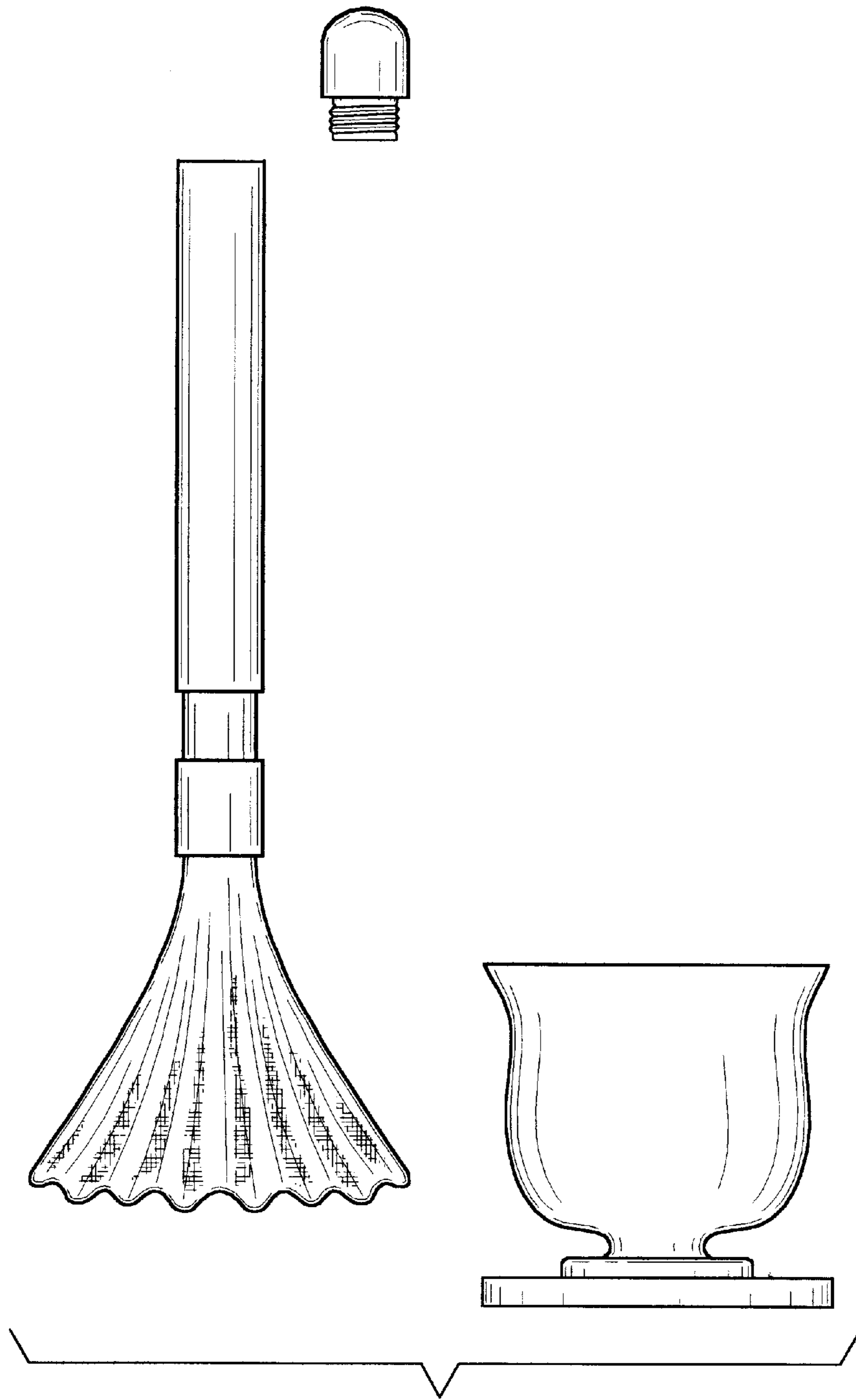
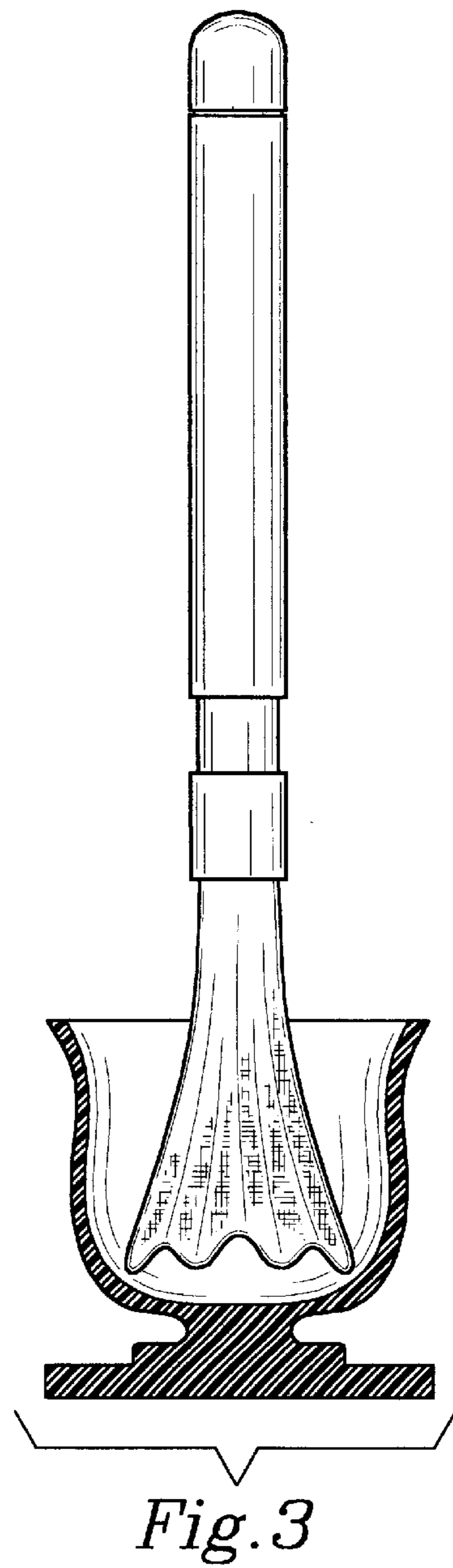
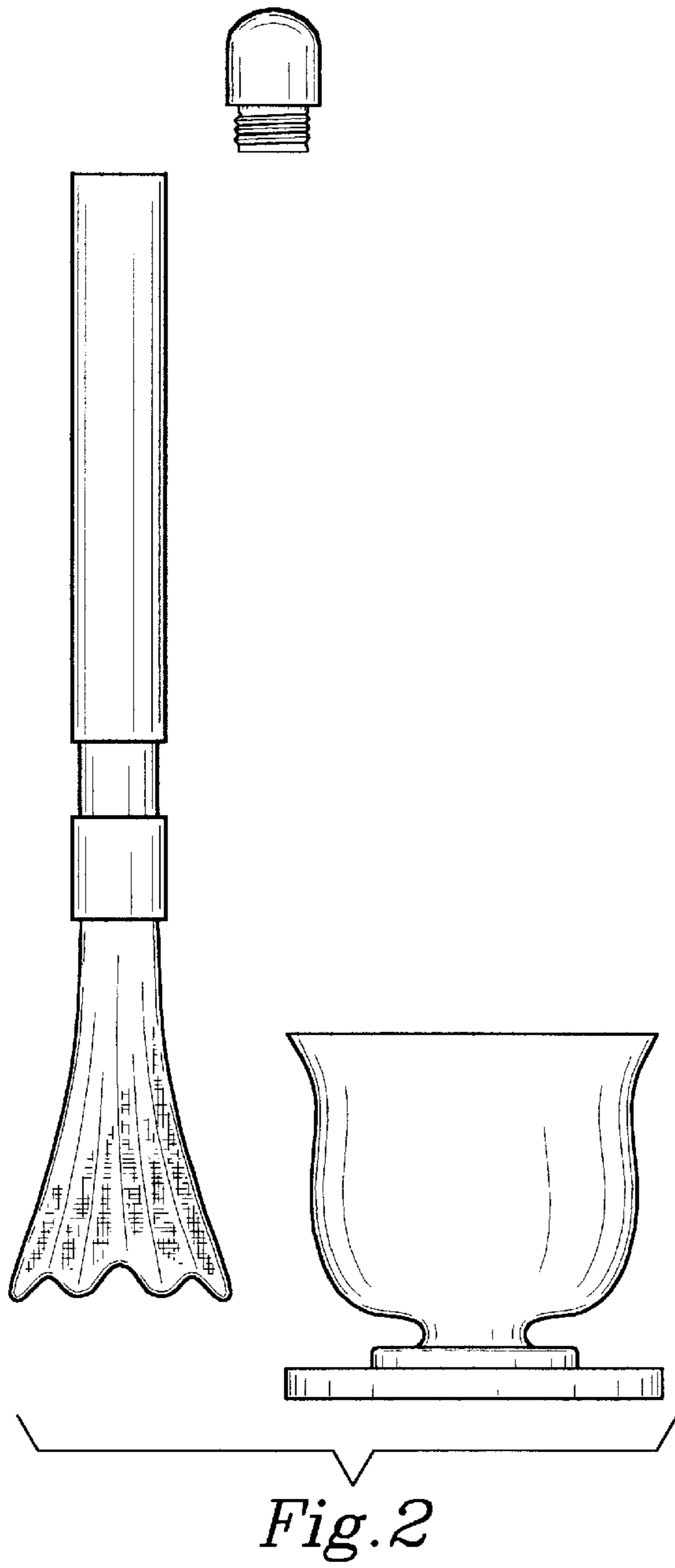


Fig. 1



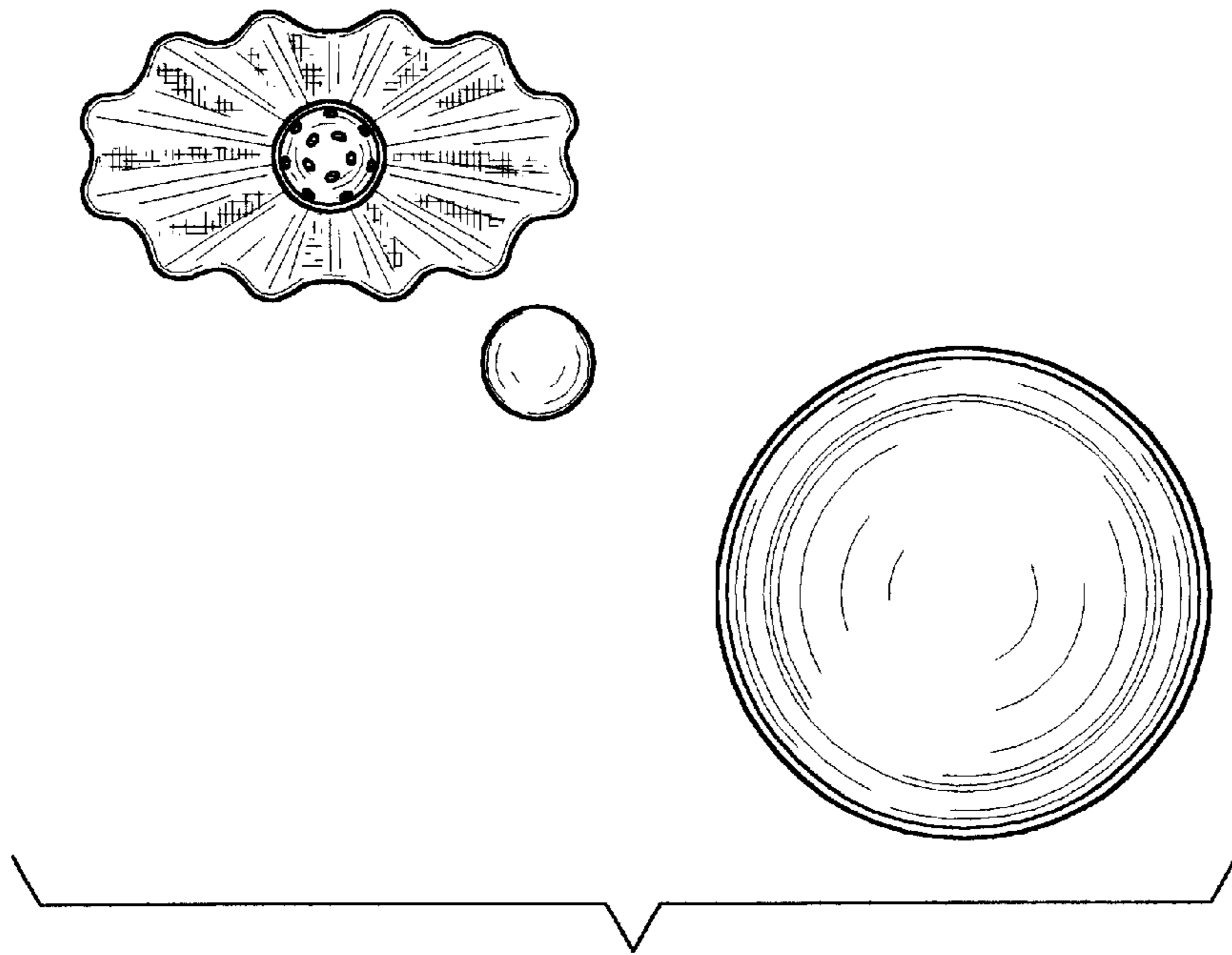


Fig. 4

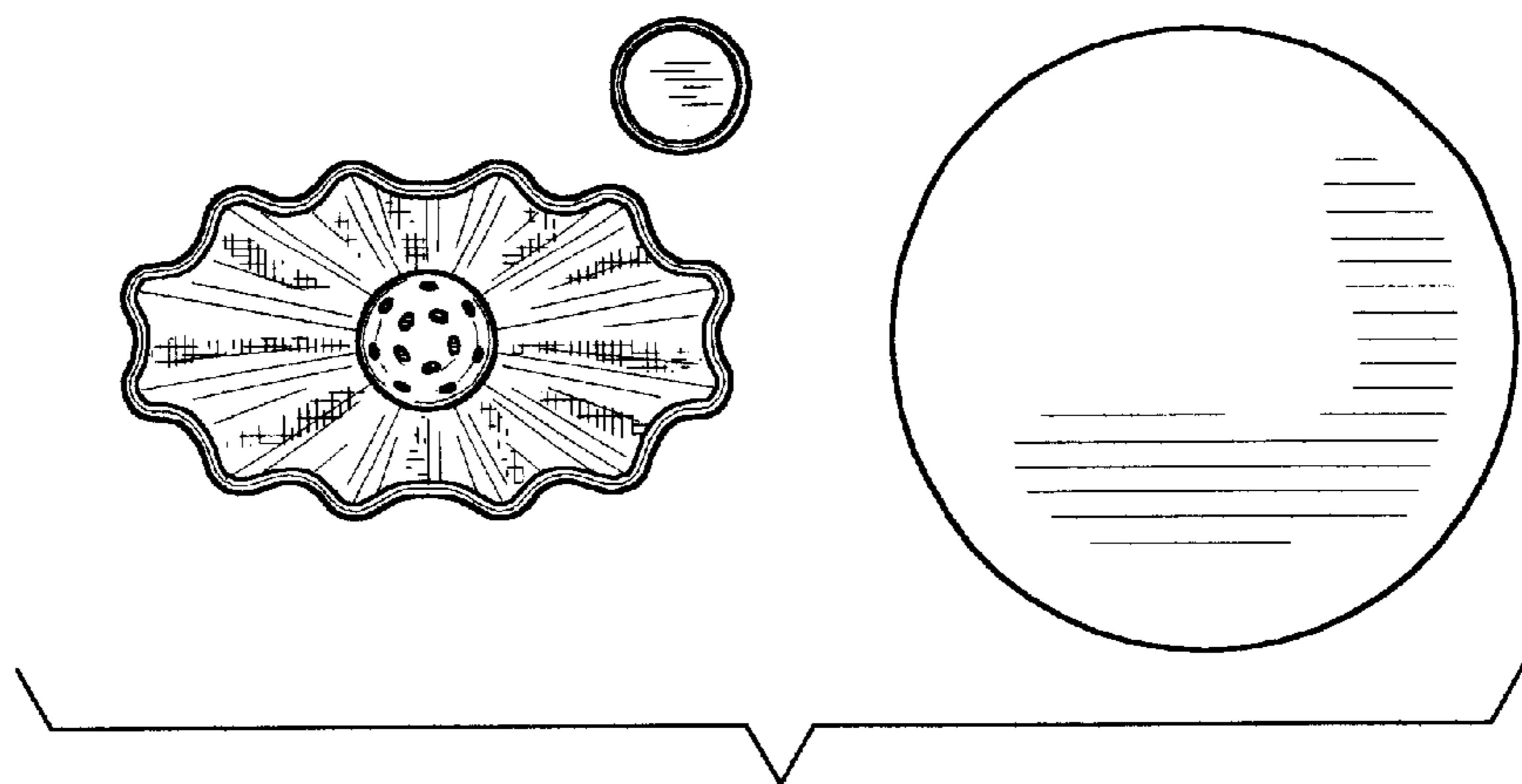


Fig. 5