



US00D443739S

(12) **United States Design Patent**
Young et al.

(10) **Patent No.:** **US D443,739 S**

(45) **Date of Patent:** **** Jun. 12, 2001**

(54) **COMBINED WET AND DRY VACUUM CLEANER**

(75) Inventors: **Jeffrey L. Young**, St. Peters; **Kiyoshi Hoshino**, Chesterfield; **David R. Hult**, St. Peters, all of MO (US)

(73) Assignee: **Emerson Electric Co.**, St. Louis, MO (US)

(**) Term: **14 Years**

(21) Appl. No.: **29/092,937**

(22) Filed: **Aug. 31, 1998**

(51) **LOC (7) Cl.** **15-05**

(52) **U.S. Cl.** **D32/23**

(58) **Field of Search** D32/21-24, 31, D32/34; 15/327.1, 327.2, 327.4, 320-321, 323, 352, 353, 347, 328

(56) **References Cited**

U.S. PATENT DOCUMENTS

- D. 357,336 * 4/1995 Moine et al. D32/23
- D. 357,773 * 4/1995 Wareham et al. D32/23
- D. 361,179 * 8/1995 Moine et al. D32/23
- D. 362,091 * 9/1995 Tomasiak et al. D32/23
- D. 372,567 * 8/1996 Moine et al. D32/23
- D. 373,862 * 9/1996 Stephens et al. D32/23
- D. 374,523 * 10/1996 Tomasiak D32/31

- D. 383,575 * 9/1997 Griffin D32/23
- D. 384,448 * 9/1997 Stephens et al. D32/23
- D. 396,182 * 7/1998 Hoshino et al. D8/375
- 5,560,075 10/1996 Jankowski 15/327.6
- 5,598,605 2/1997 Tomasiak 16/45
- 5,606,769 3/1997 Tomasiak et al. 15/327.6
- 5,608,945 3/1997 Crouser et al. 15/328
- 5,611,107 3/1997 Tomasiak et al. 15/327.2

* cited by examiner

Primary Examiner—Ruth McInroy

(74) *Attorney, Agent, or Firm*—Howrey, Simon, Arnold & White, LLP

(57) **CLAIM**

The ornamental design for a combined wet and dry vacuum cleaner, as shown and described.

DESCRIPTION

FIG. 1 is a top and front perspective view of a combined wet and dry vacuum cleaner showing our new design;
 FIG. 2 is a front perspective view thereof;
 FIG. 3 is a rear perspective view thereof;
 FIG. 4 is a side perspective view thereof;
 FIG. 5 is a side perspective view of the opposite side of FIG. 4;
 FIG. 6 is a top perspective view thereof; and,
 FIG. 7 is a bottom perspective view thereof.

1 Claim, 4 Drawing Sheets

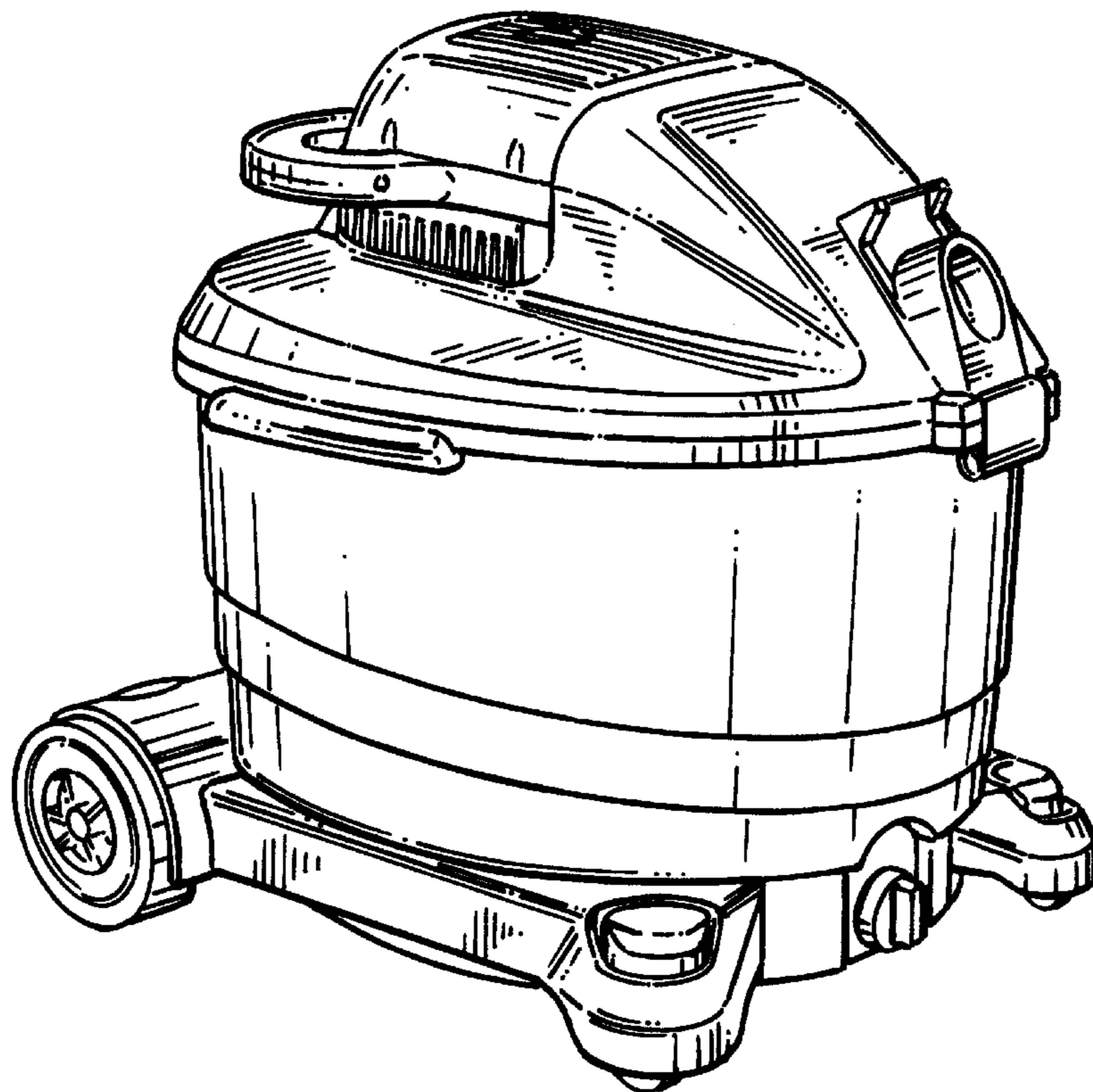


FIG. 1

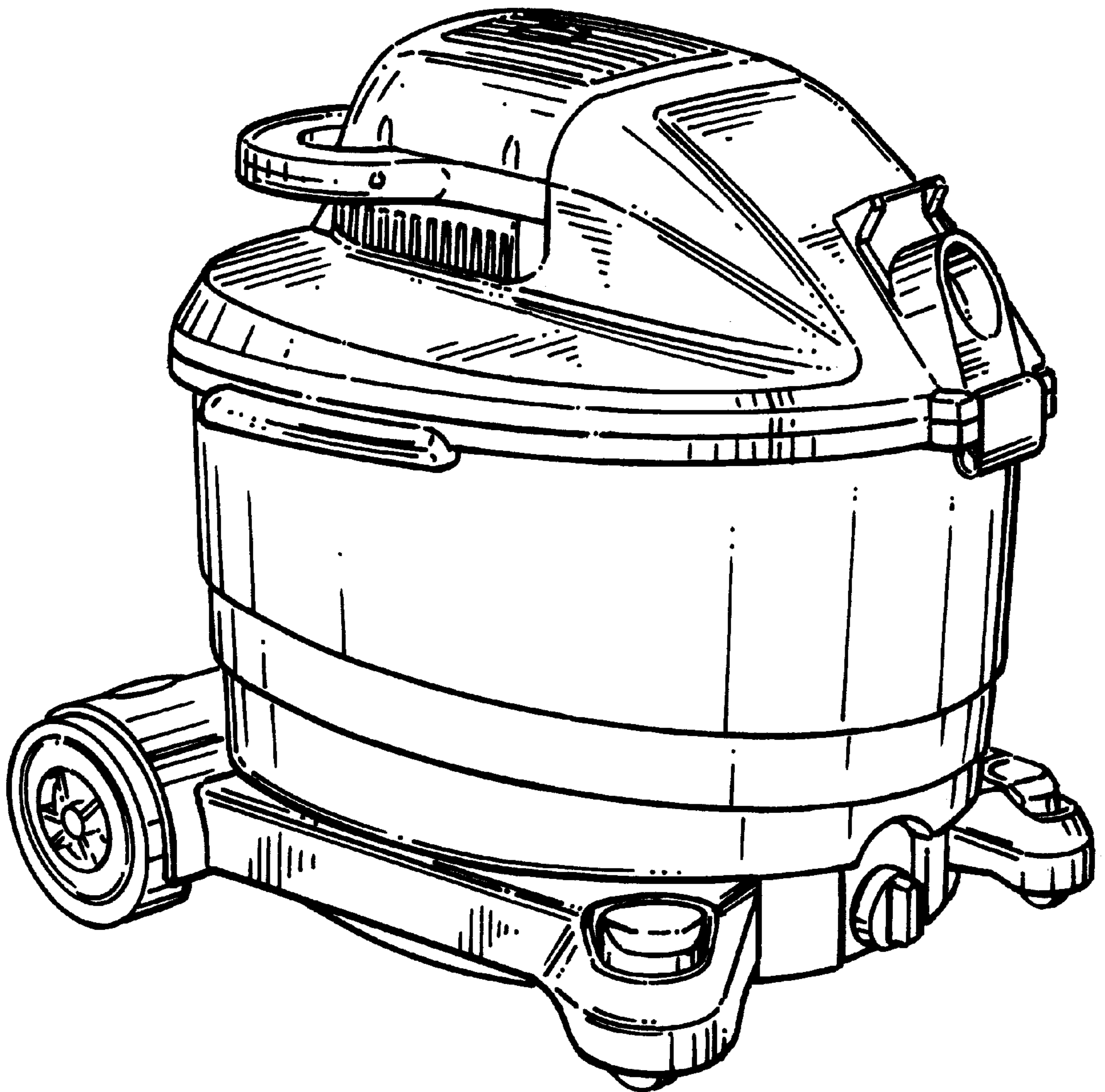


FIG. 3

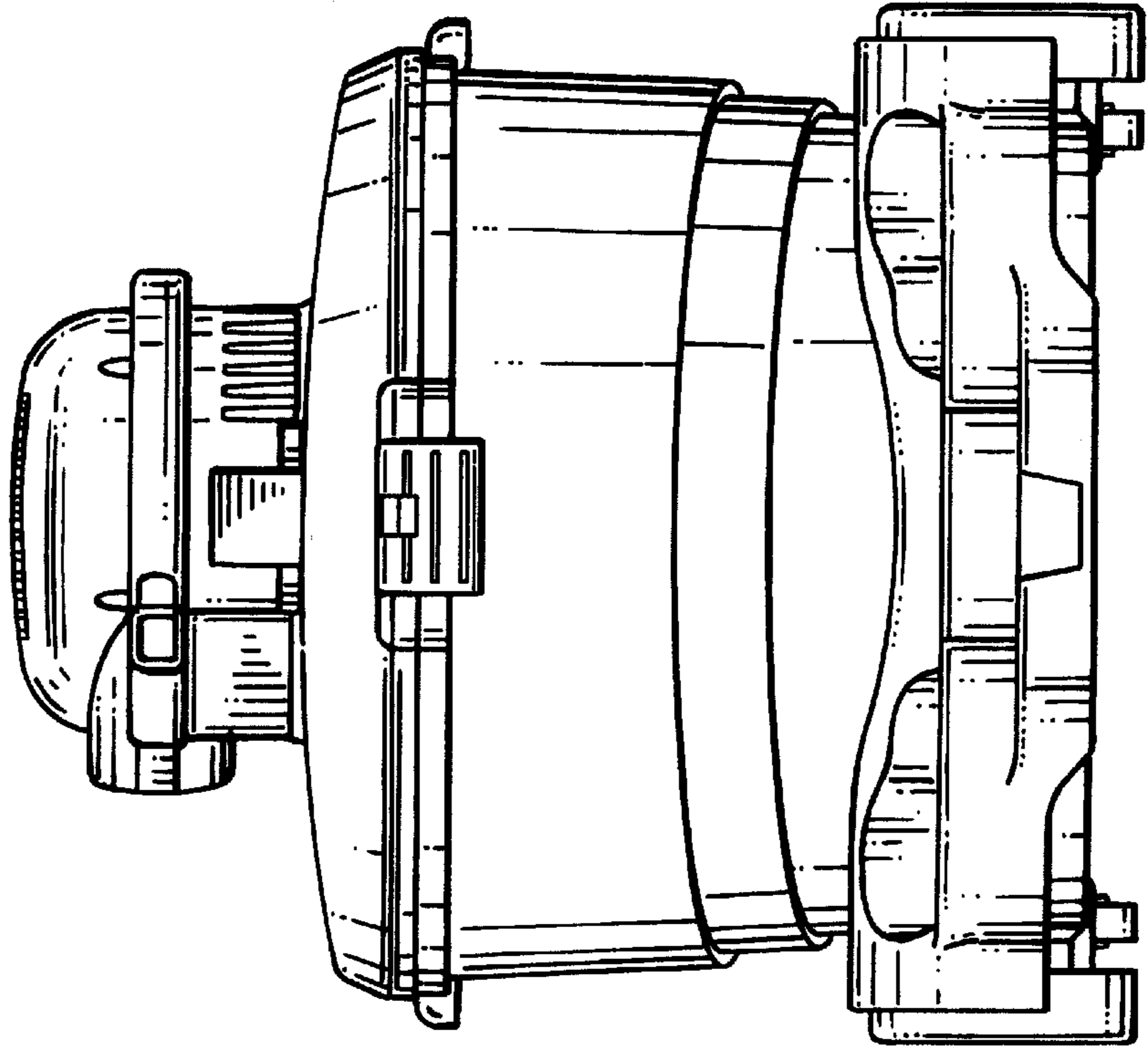


FIG. 2

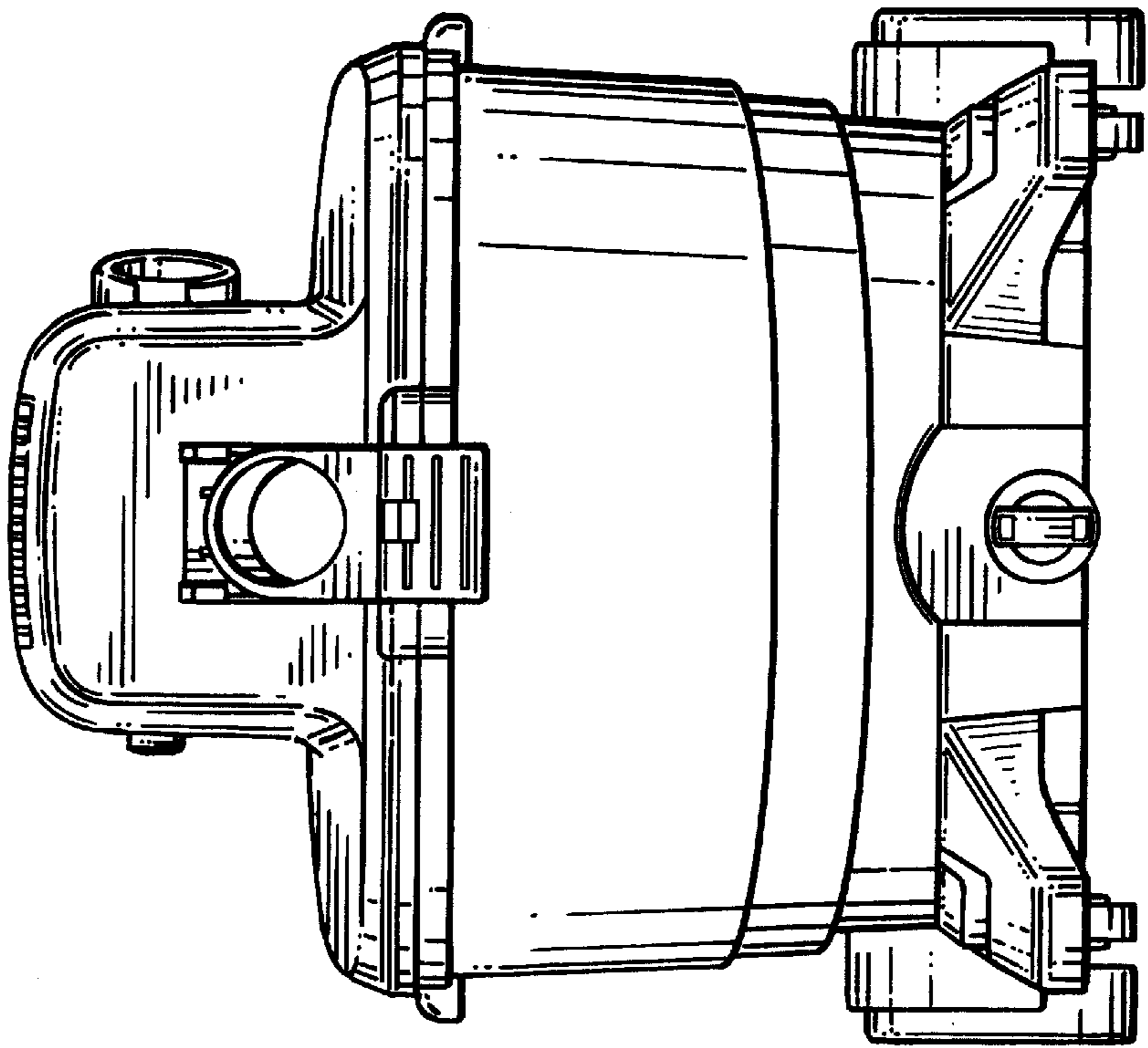


FIG. 4

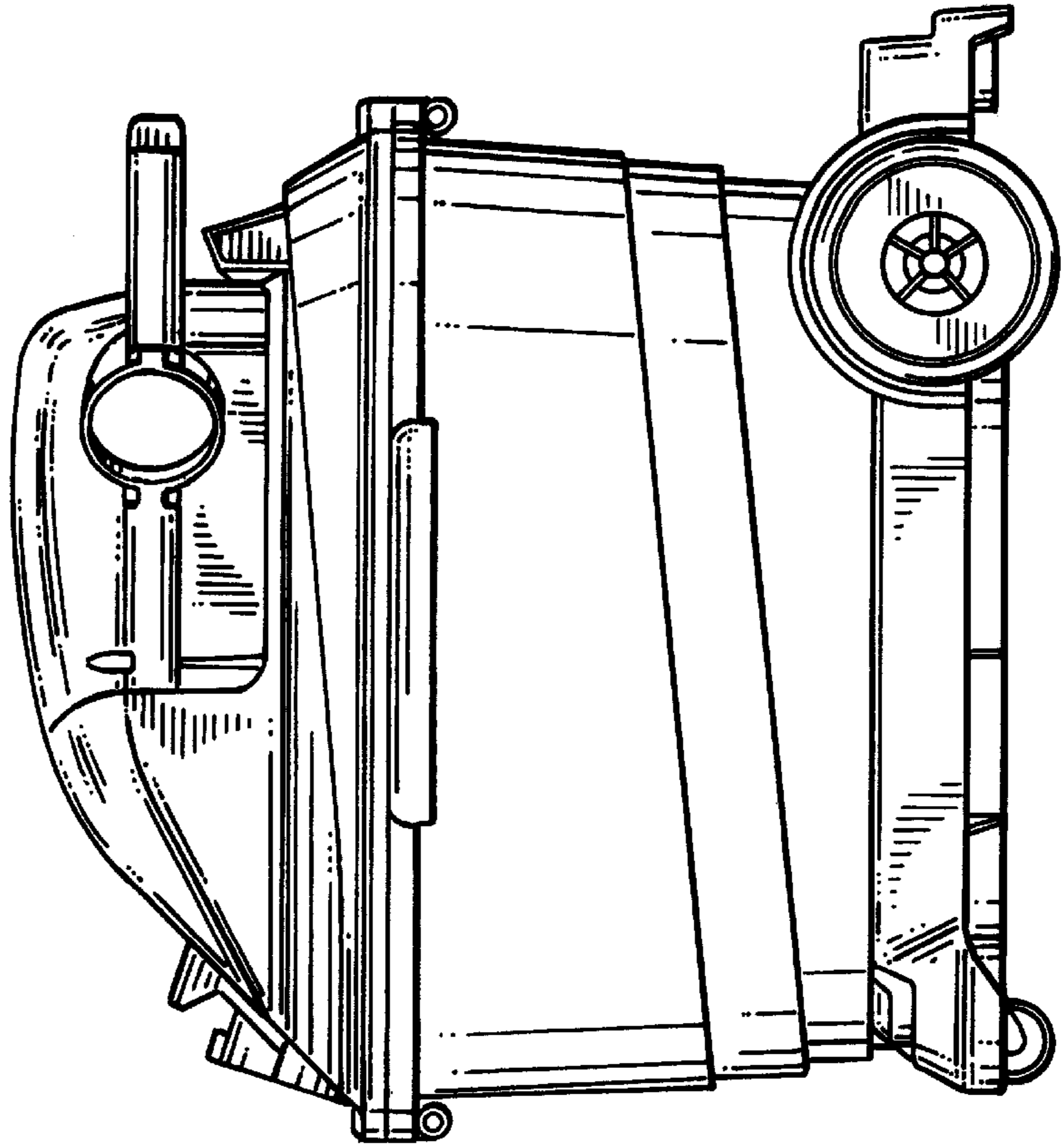


FIG. 5

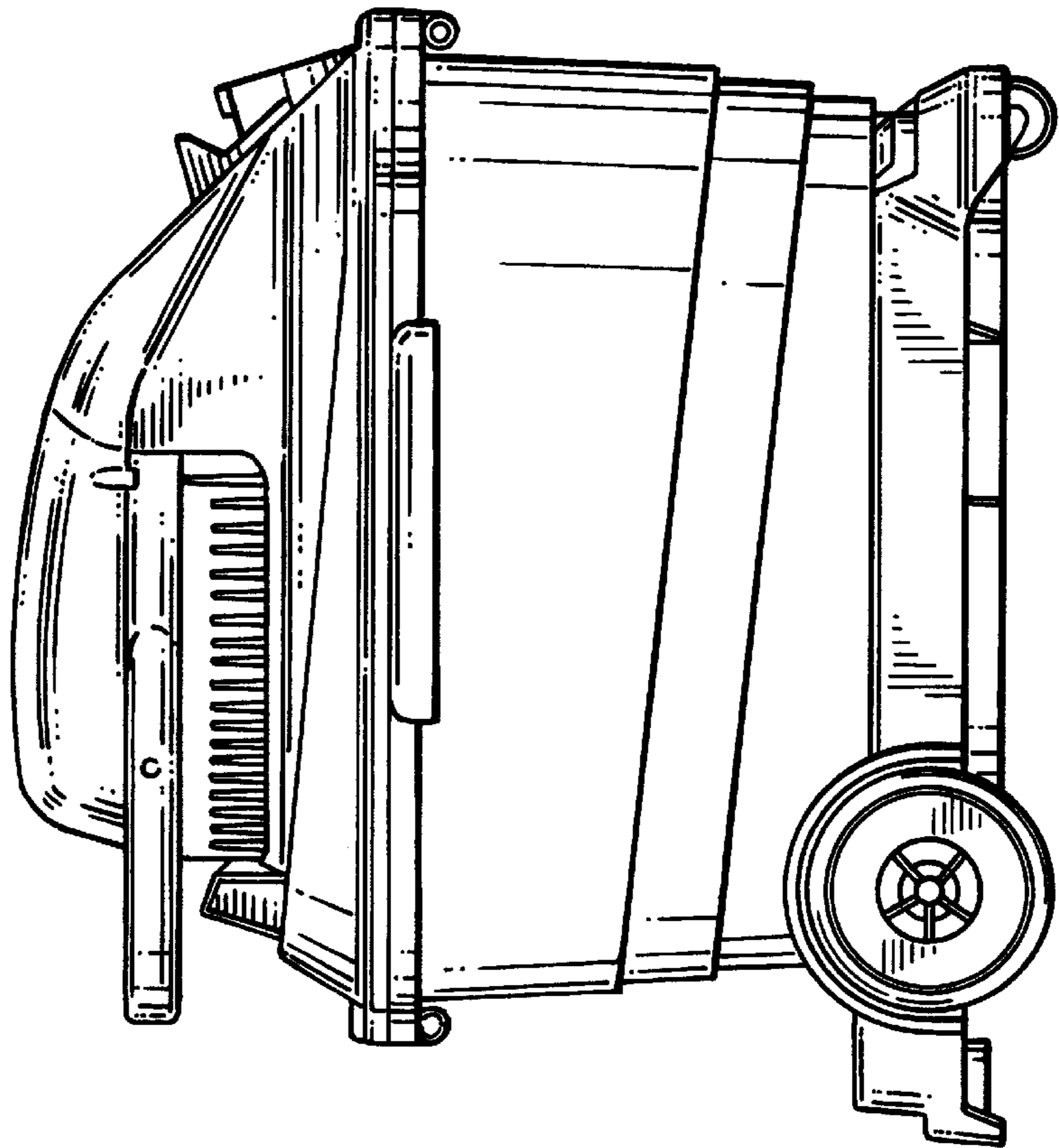


FIG. 6

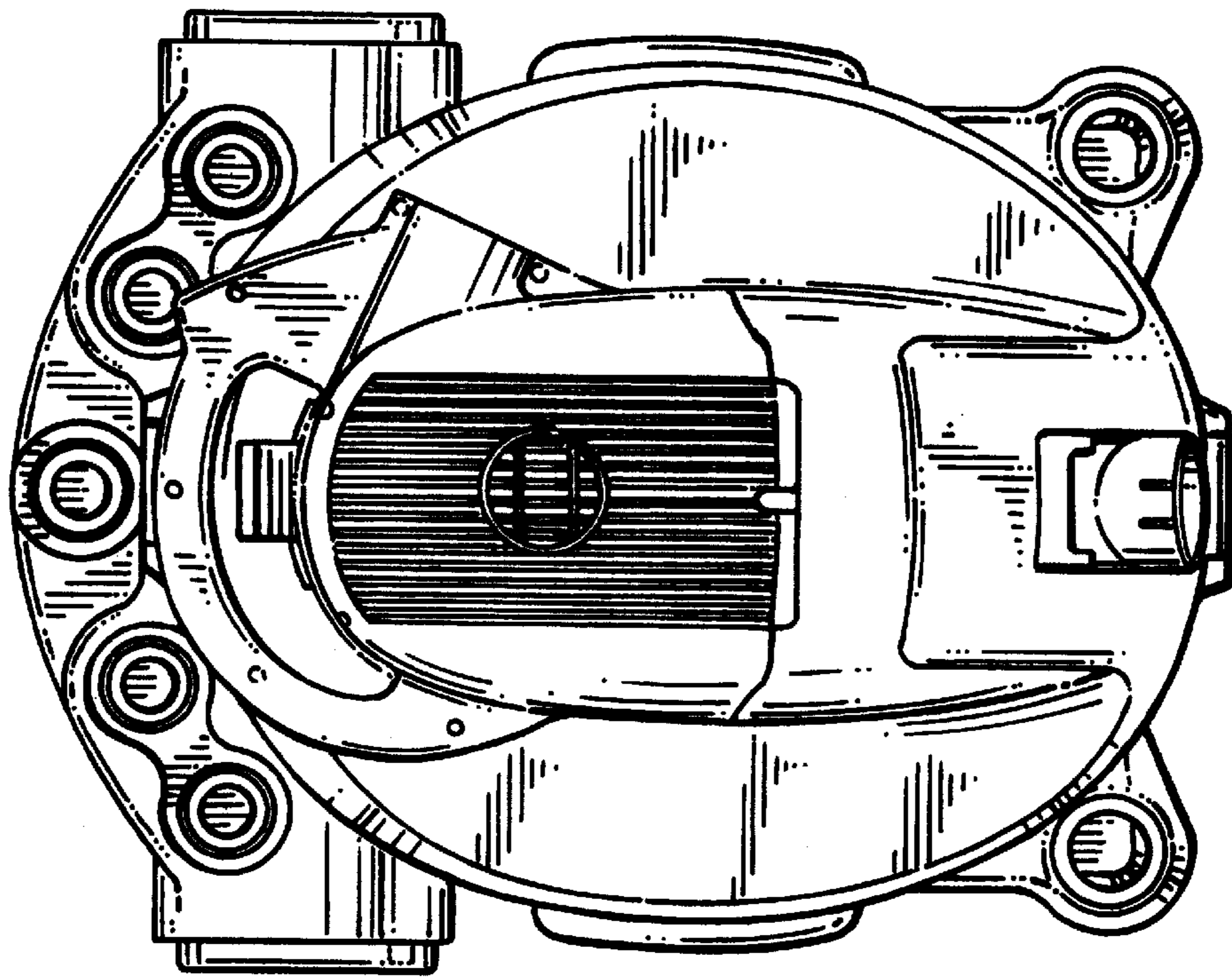


FIG. 7

