



US00D443738S

(12) **United States Design Patent**
Makihara et al.

(10) **Patent No.:** **US D443,738 S**

(45) **Date of Patent:** **** Jun. 12, 2001**

(54) **VACUUM CLEANER**

(75) Inventors: **Kendoh Makihara**, Nara-ken;
Nobuhiro Fujii, Osaka-fu, both of (JP)

(73) Assignee: **Sharp Kabushiki Kaisha**, Osaka (JP)

(**) Term: **14 Years**

(21) Appl. No.: **29/123,991**

(22) Filed: **May 30, 2000**

(30) **Foreign Application Priority Data**

Nov. 29, 1999 (JP) 11-32970

(51) **LOC (7) Cl.** **15-05**

(52) **U.S. Cl.** **D32/21**

(58) **Field of Search** D32/21, 23-25,
D32/31, 17-18; 15/344, 327.5, 329, 412

(56) **References Cited**

U.S. PATENT DOCUMENTS

D. 176,635 * 1/1956 Shalvoy D32/21

D. 182,286 * 3/1958 Johnson et al. D32/21
2,392,205 * 1/1946 Wales 55/368
2,769,998 * 11/1956 Hunter 15/327.4
6,141,822 * 11/2000 Riviera-Boklund 15/325

* cited by examiner

Primary Examiner—Ruth McInroy

(74) *Attorney, Agent, or Firm*—Nixon & Vanderhye

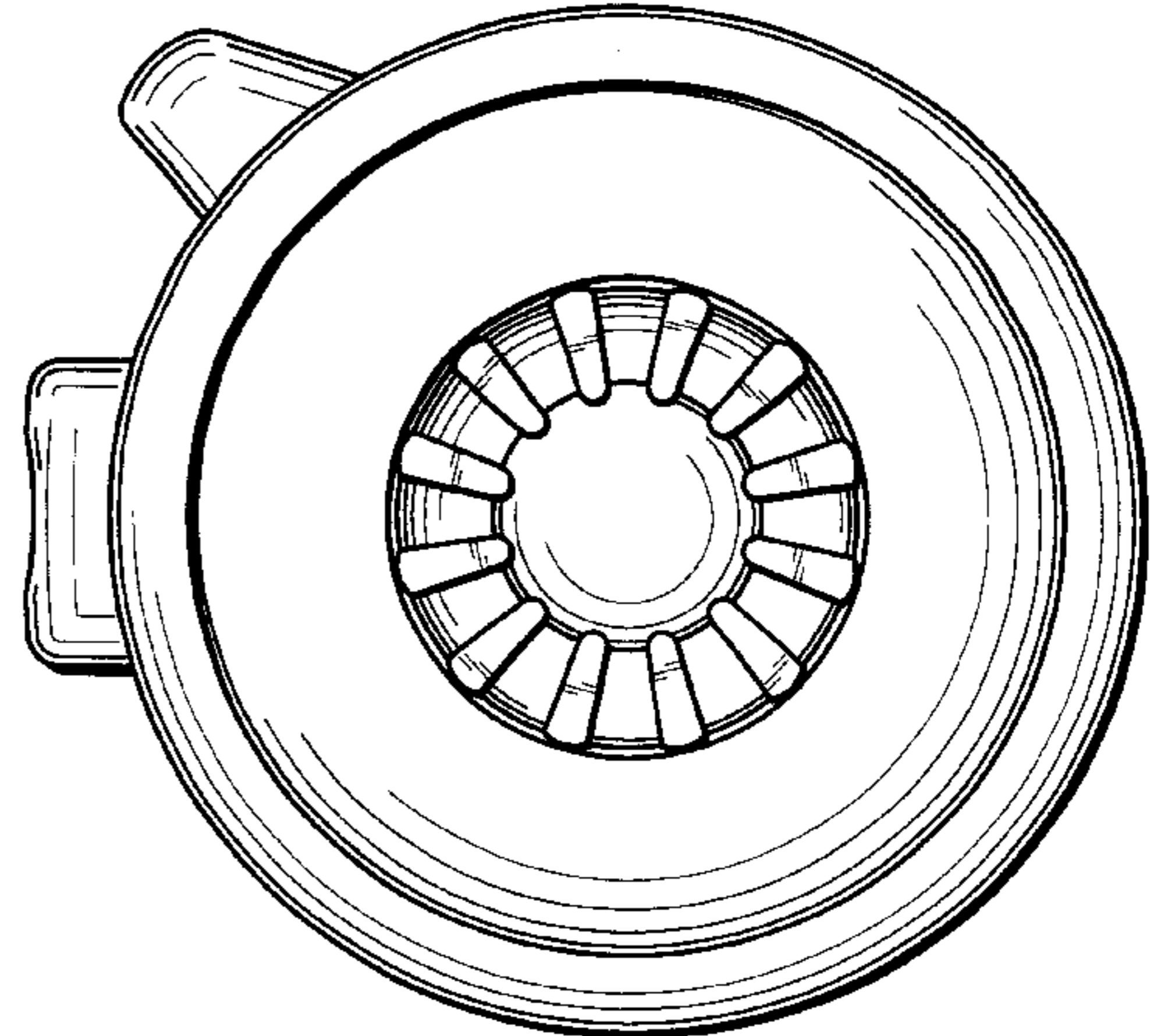
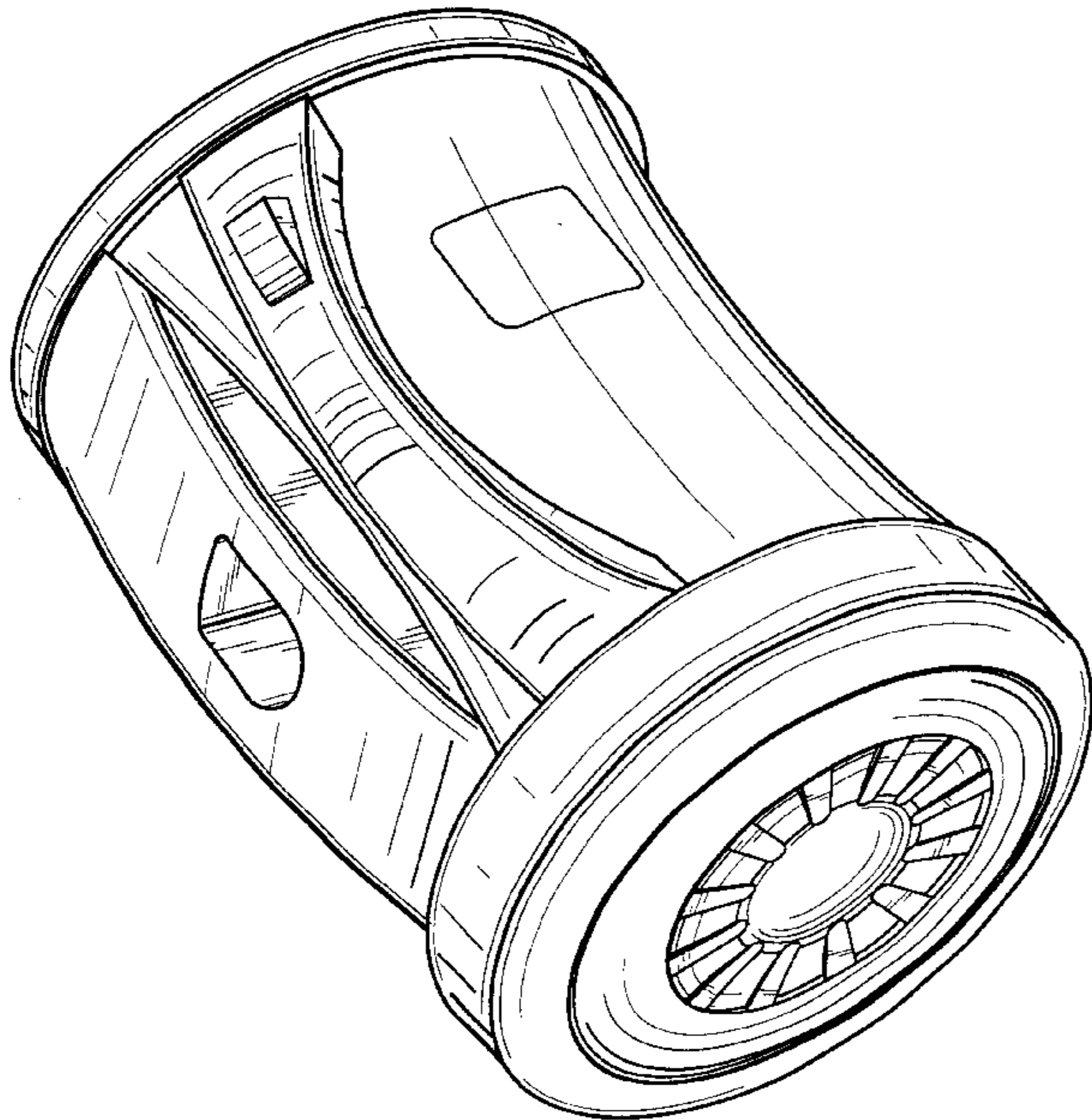
(57) **CLAIM**

The ornamental design for a vacuum cleaner, as shown and described.

DESCRIPTION

FIG. 1 is a top, front and right side perspective view of a vacuum cleaner showing our new design;
FIG. 2 is a top plan view thereof;
FIG. 3 is a bottom plan view thereof;
FIG. 4 is a front elevational view thereof;
FIG. 5 is a rear elevational view thereof;
FIG. 6 is a right side elevational view thereof; and,
FIG. 7 is a left side elevational view thereof.

1 Claim, 4 Drawing Sheets



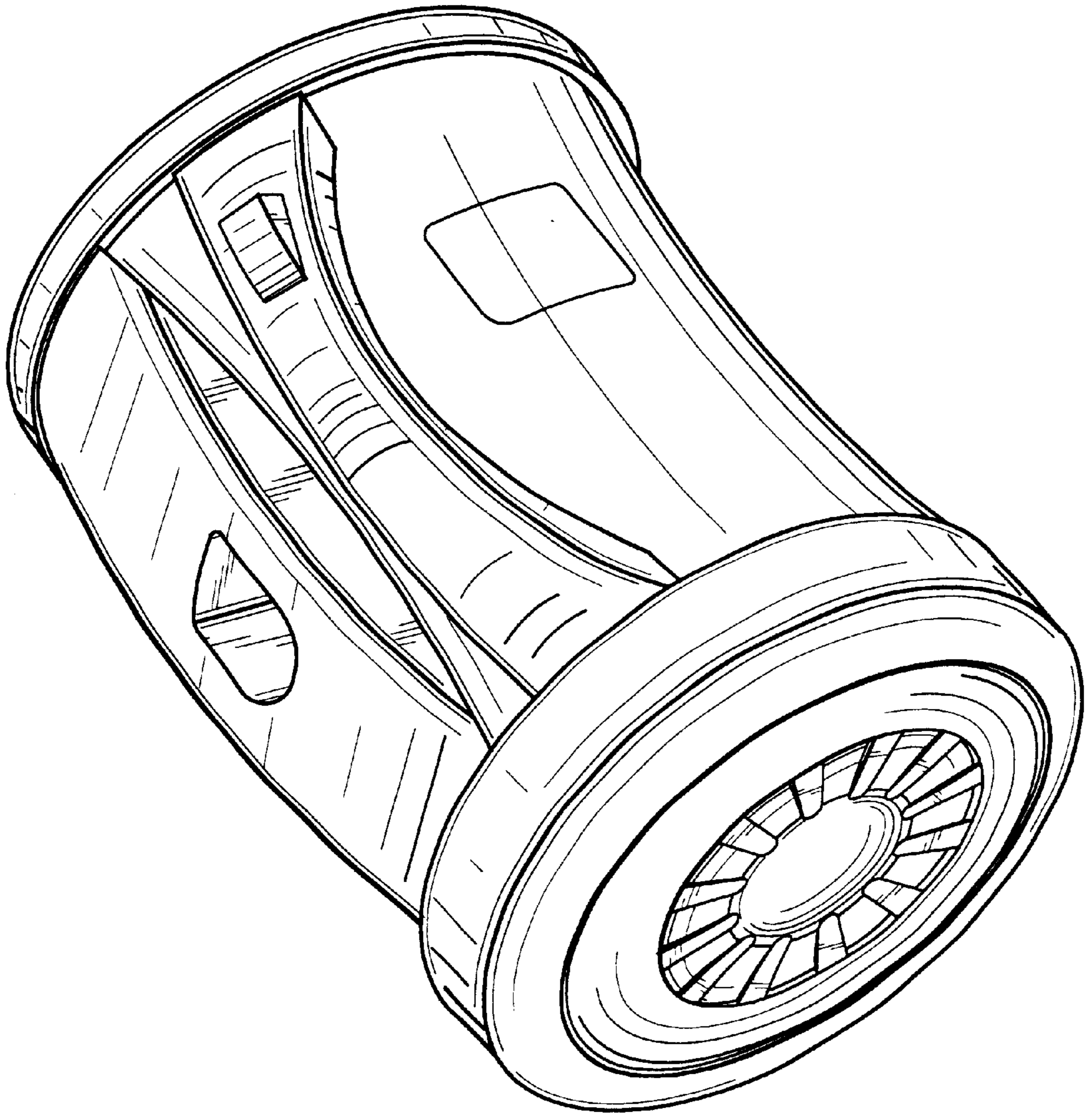


Fig. 1

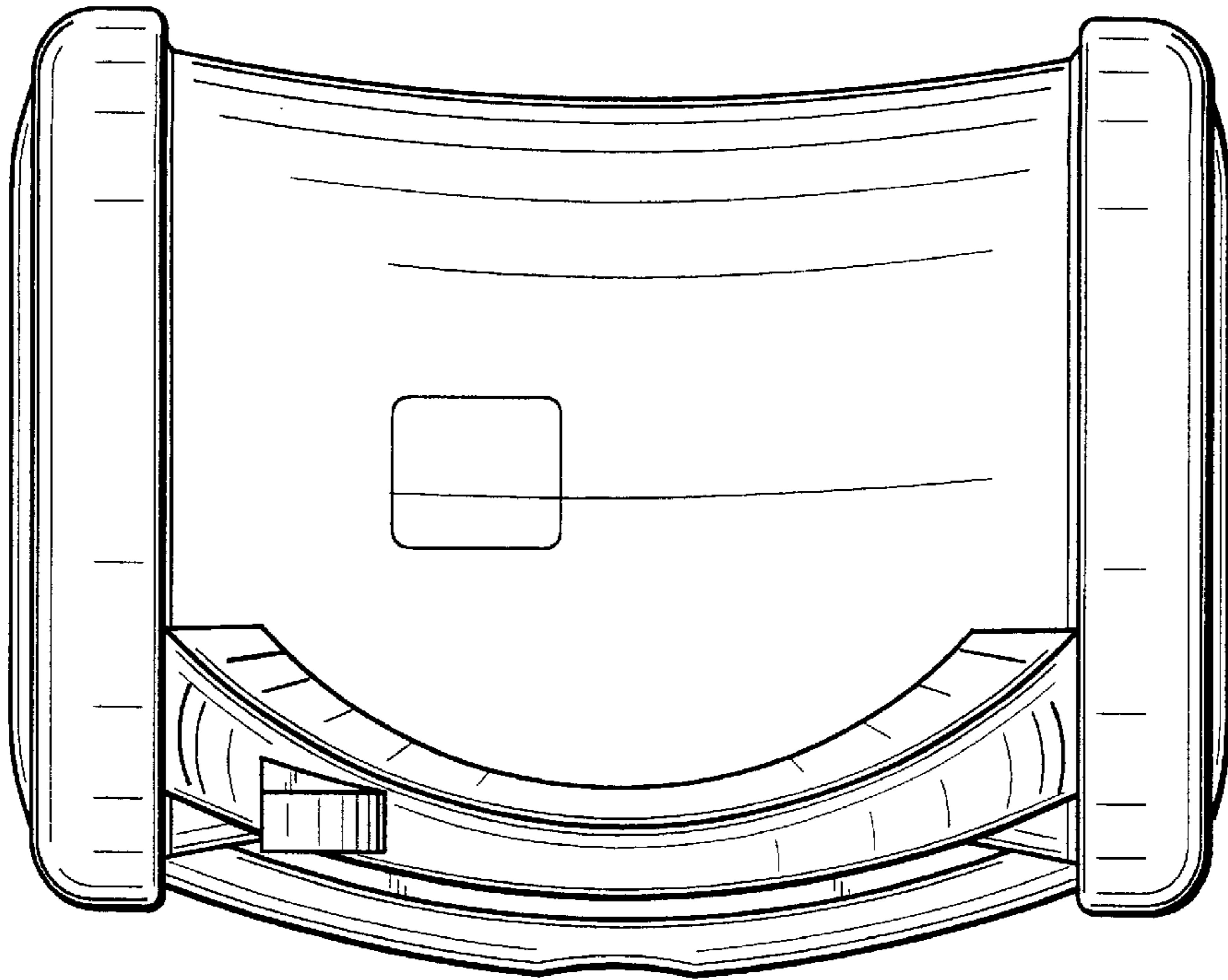


Fig.2

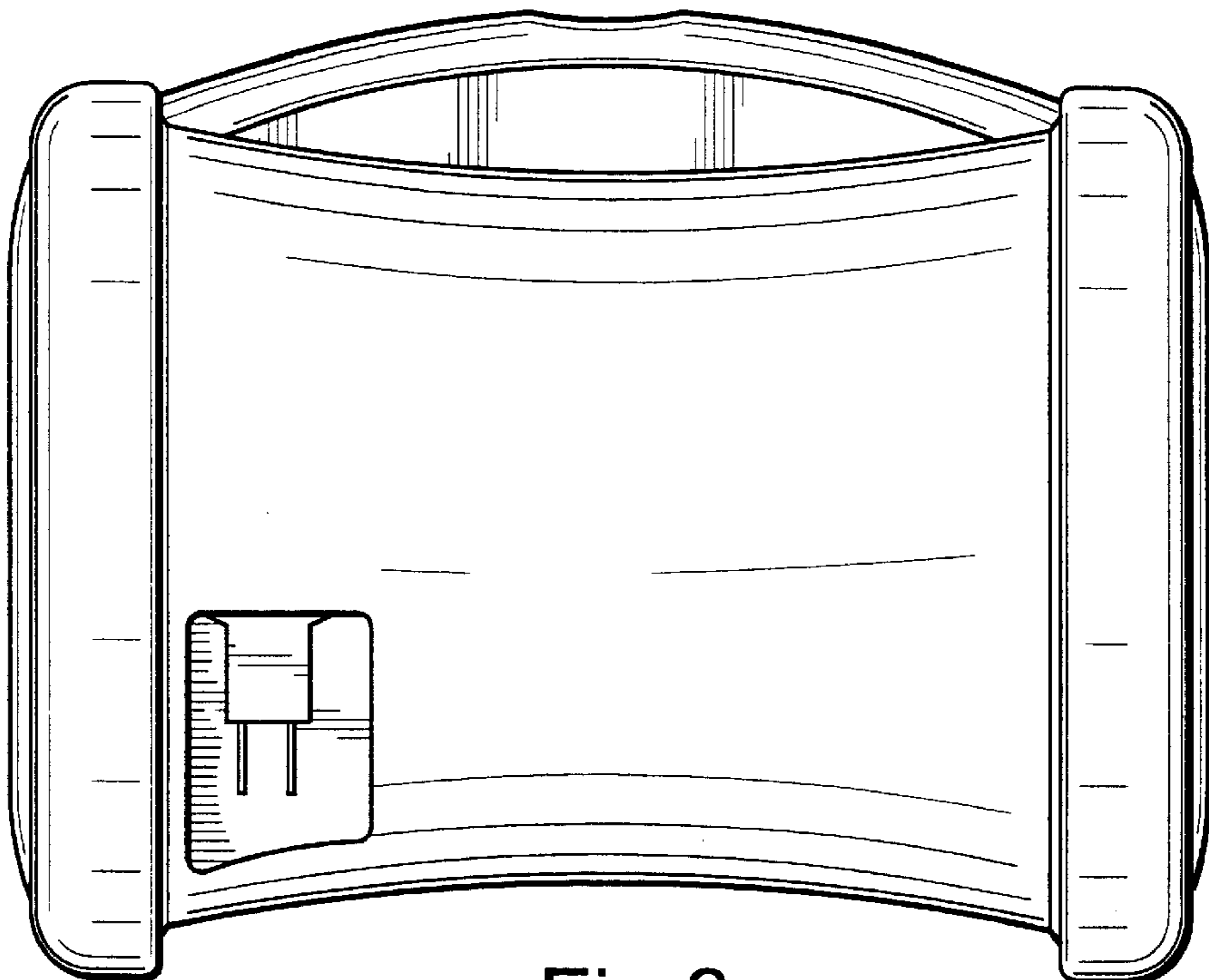


Fig.3

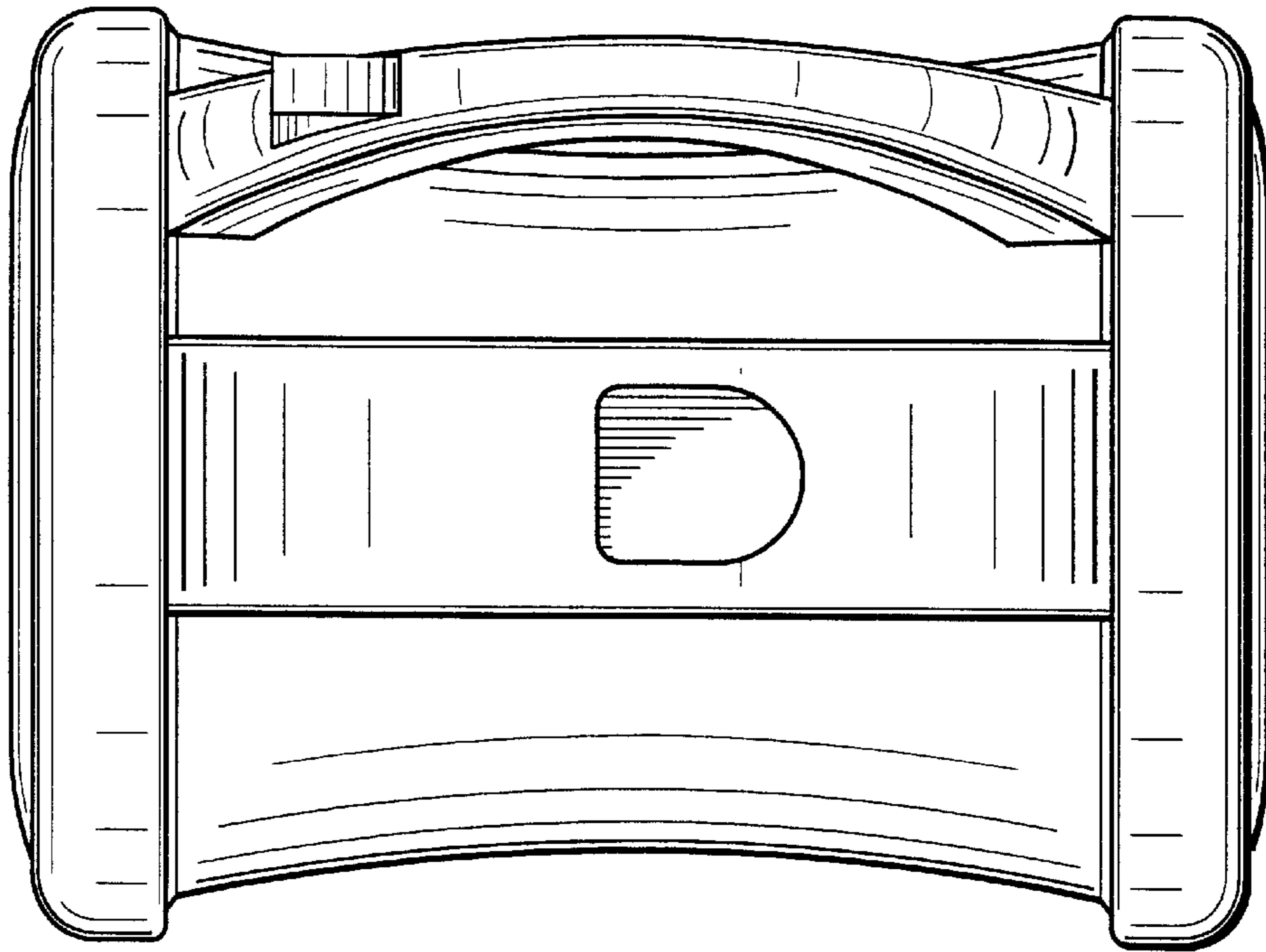


Fig.4

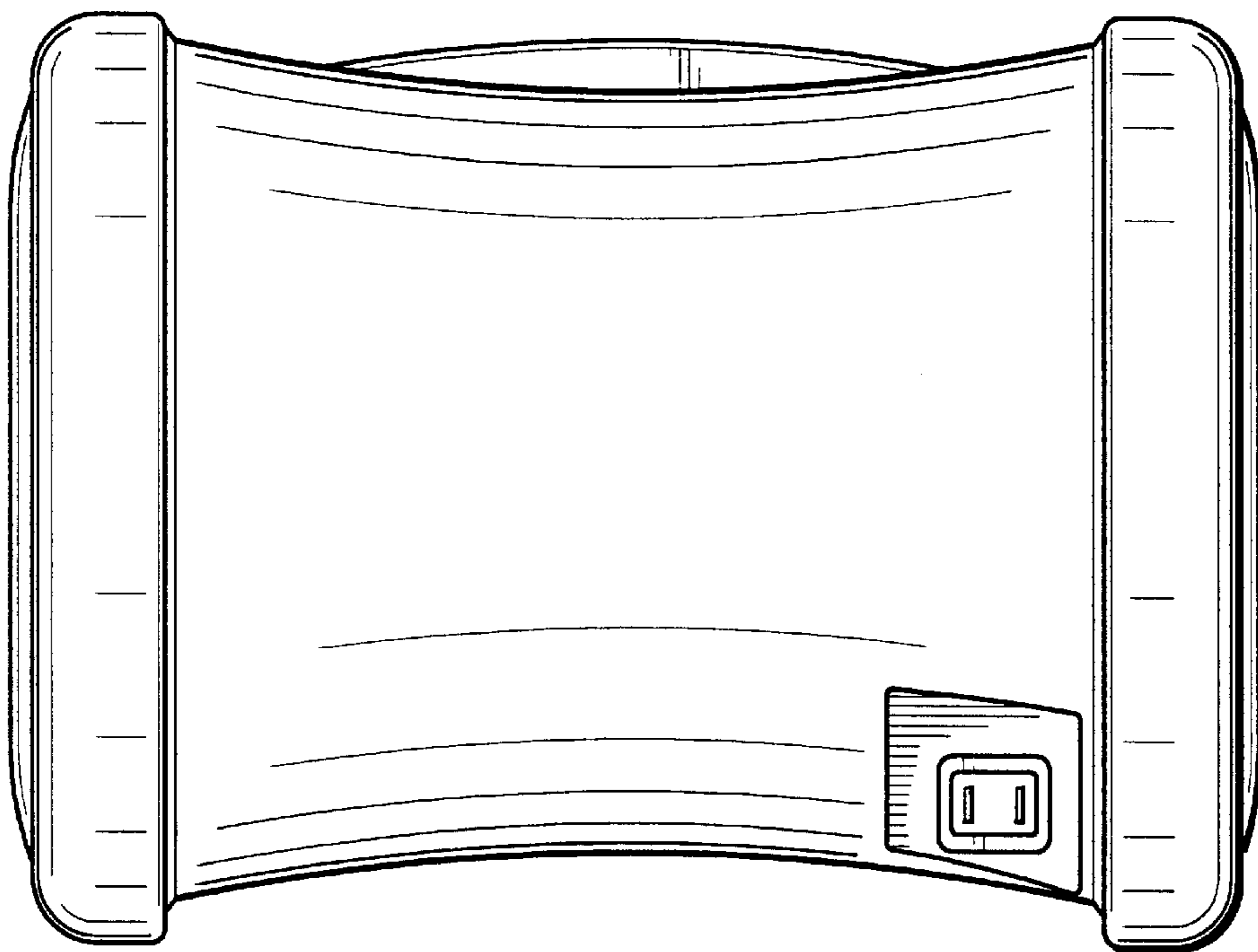


Fig.5

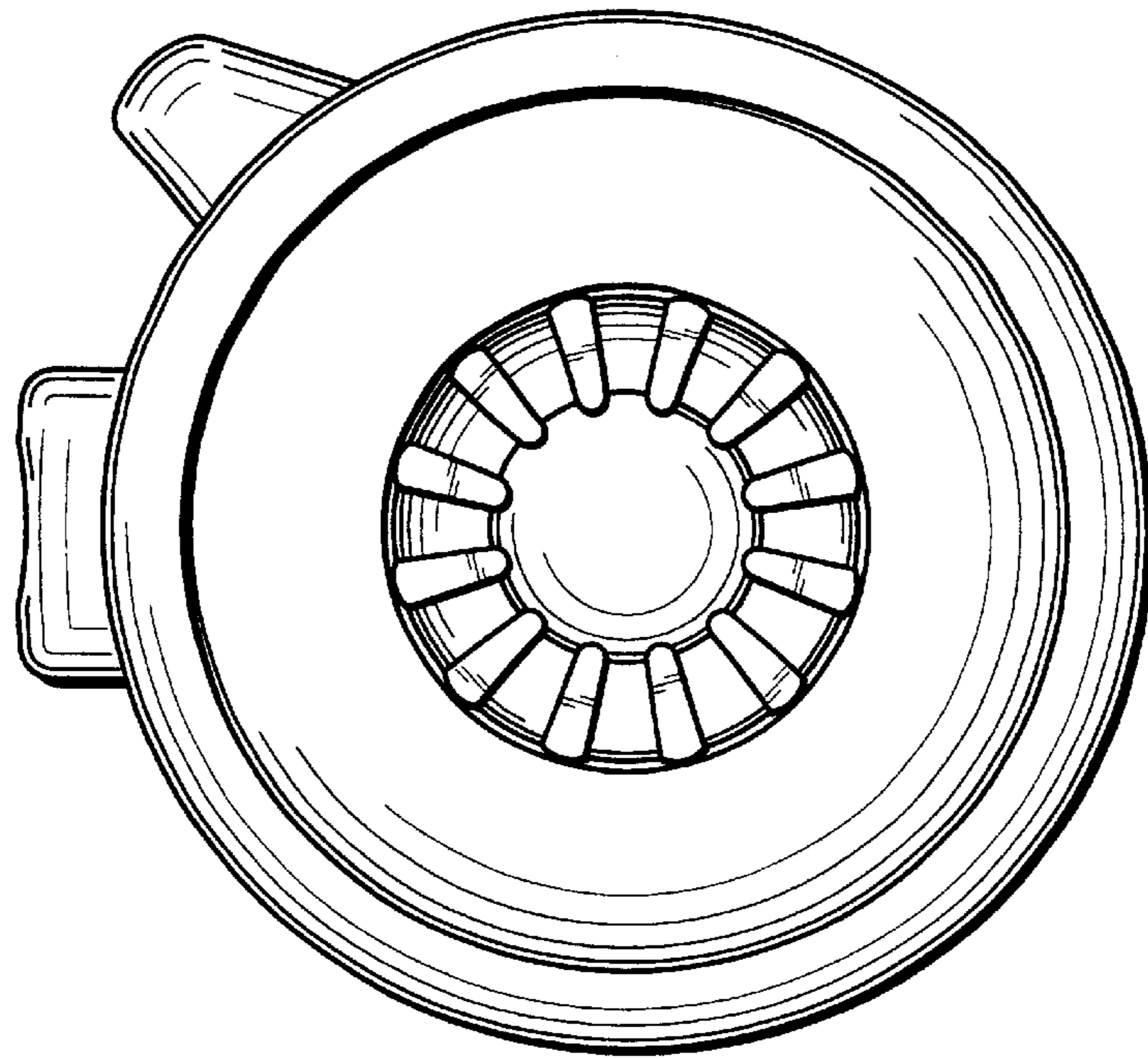


Fig.6

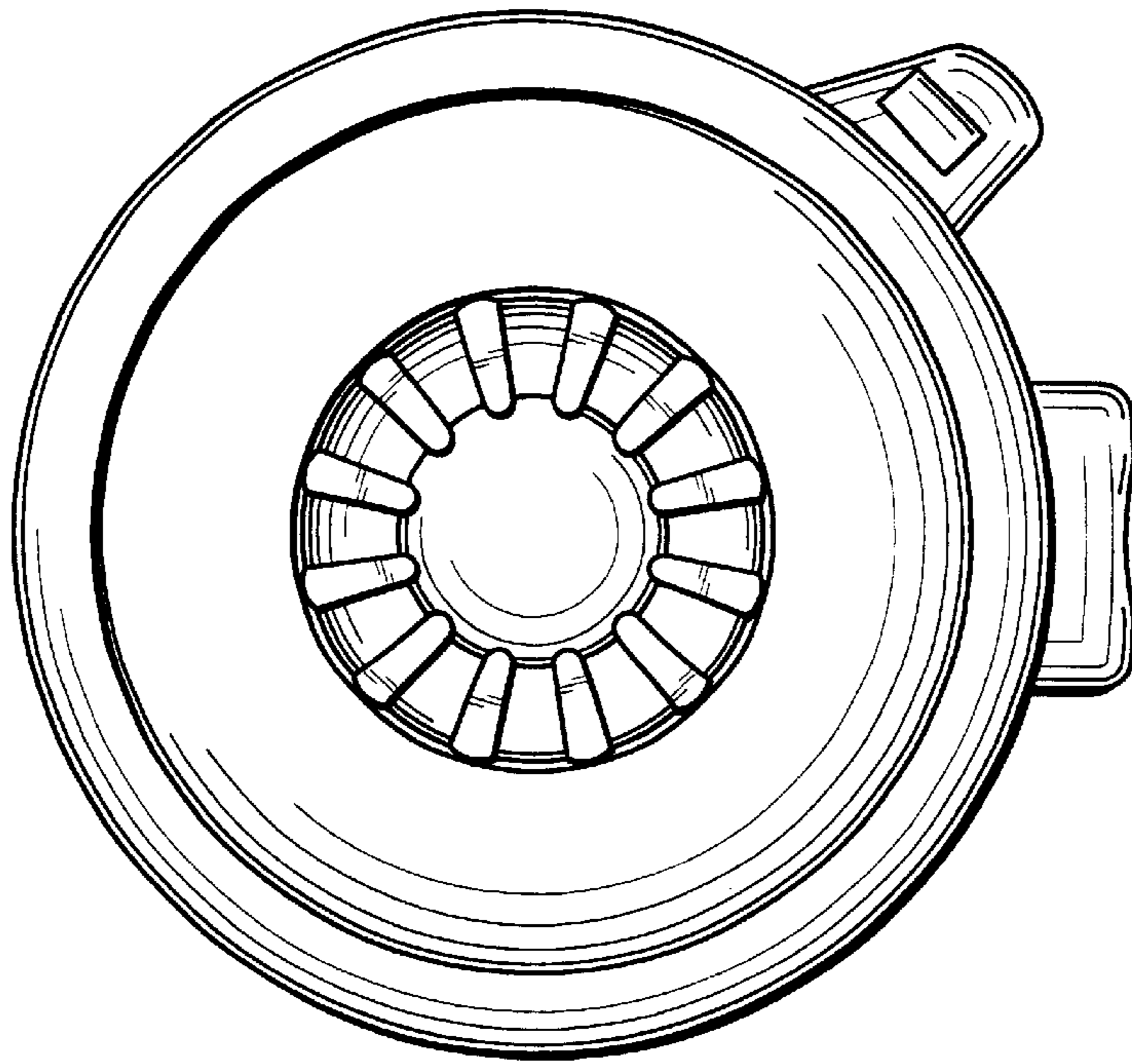


Fig.7