



US00D443737S

(12) **United States Design Patent**
Rief et al.

(10) **Patent No.:** **US D443,737 S**

(45) **Date of Patent:** **** Jun. 12, 2001**

(54) **FOUR WHEEL POOL CLEANER**

5,001,800 * 3/1991 Parenti et al. 15/1.7
5,097,559 * 3/1992 Brunt et al. 15/1.7

(76) Inventors: **Dieter J. Rief; Rosemarie Rief;**
Manuela Rief, all of 2780 Bardy Rd.,
Santa Rosa, CA (US) 95404

* cited by examiner

(**) Term: **14 Years**

Primary Examiner—Louis S. Zarfes
Assistant Examiner—Robert A. Delehanty
(74) *Attorney, Agent, or Firm*—Johnson & Stainbrook;
Larry D. Johnson; Craig M. Stainbrook

(21) Appl. No.: **29/126,776**

(57) **CLAIM**

(22) Filed: **Jul. 24, 2000**

The ornamental design for a four wheel pool cleaner, as shown and described.

(51) **LOC (7) Cl.** **15-05**

(52) **U.S. Cl.** **D32/15**

(58) **Field of Search** D32/1, 15, 21,
D32/25, 28; 15/1.7; 55/373; 180/116, 119,
120, 125, 130; 210/169, 416.2, 460

DESCRIPTION

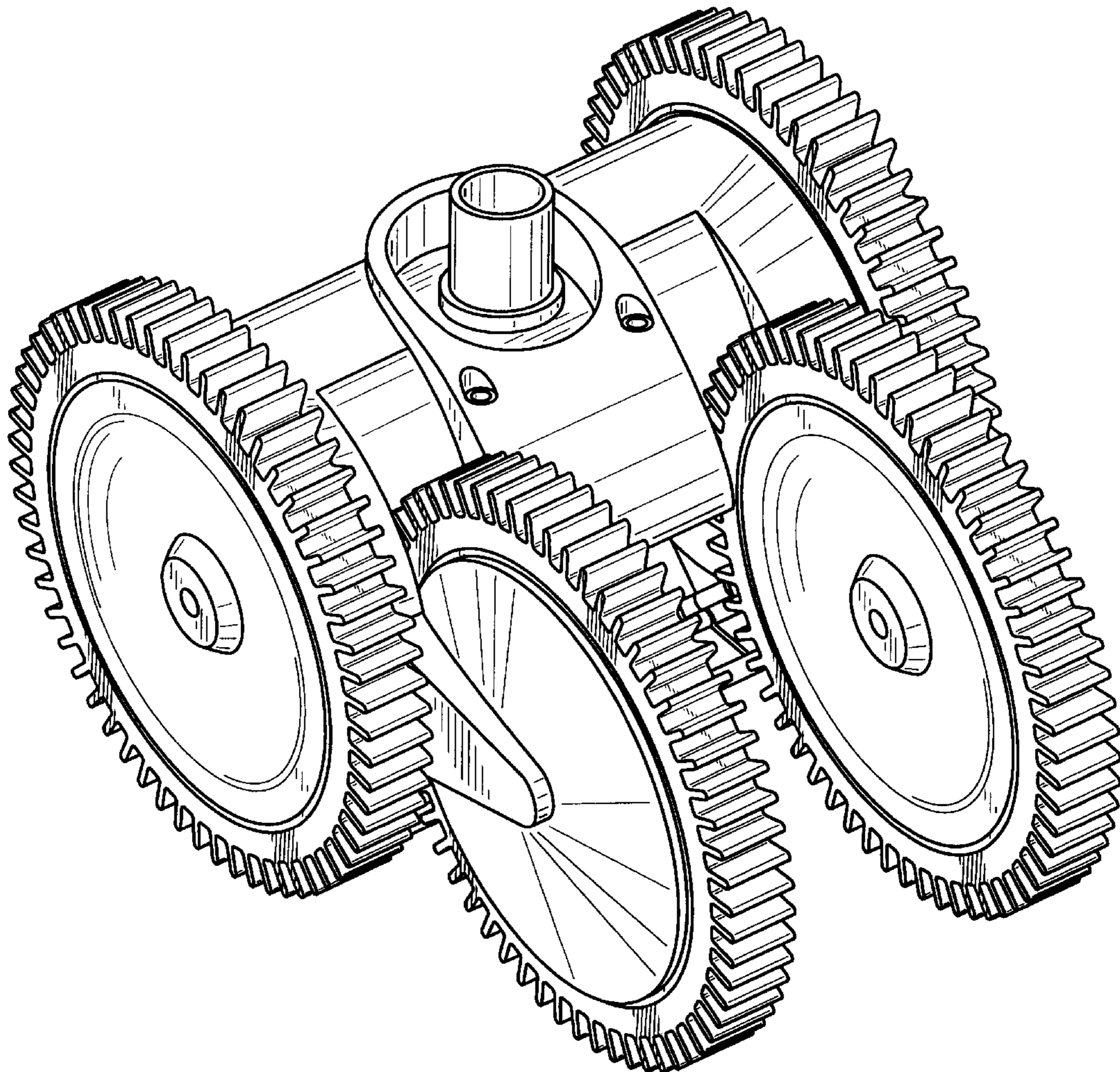
(56) **References Cited**

U.S. PATENT DOCUMENTS

- D. 418,640 * 1/2000 Veloskey et al. D32/1
- D. 421,512 * 3/2000 Campbell D32/1
- D. 429,393 * 8/2000 Rief et al. D32/25
- 4,299,051 * 11/1981 Pauly et al. 446/471

FIG. 1 is a perspective view of the four wheel pool cleaner showing our new design;
FIG. 2 is a rear elevational view thereof;
FIG. 3 is a right side elevational view thereof, the left side being a mirror image thereof;
FIG. 4 is a front elevational view thereof;
FIG. 5 is a top plan view thereof; and,
FIG. 6 is a bottom plan view thereof.

1 Claim, 5 Drawing Sheets



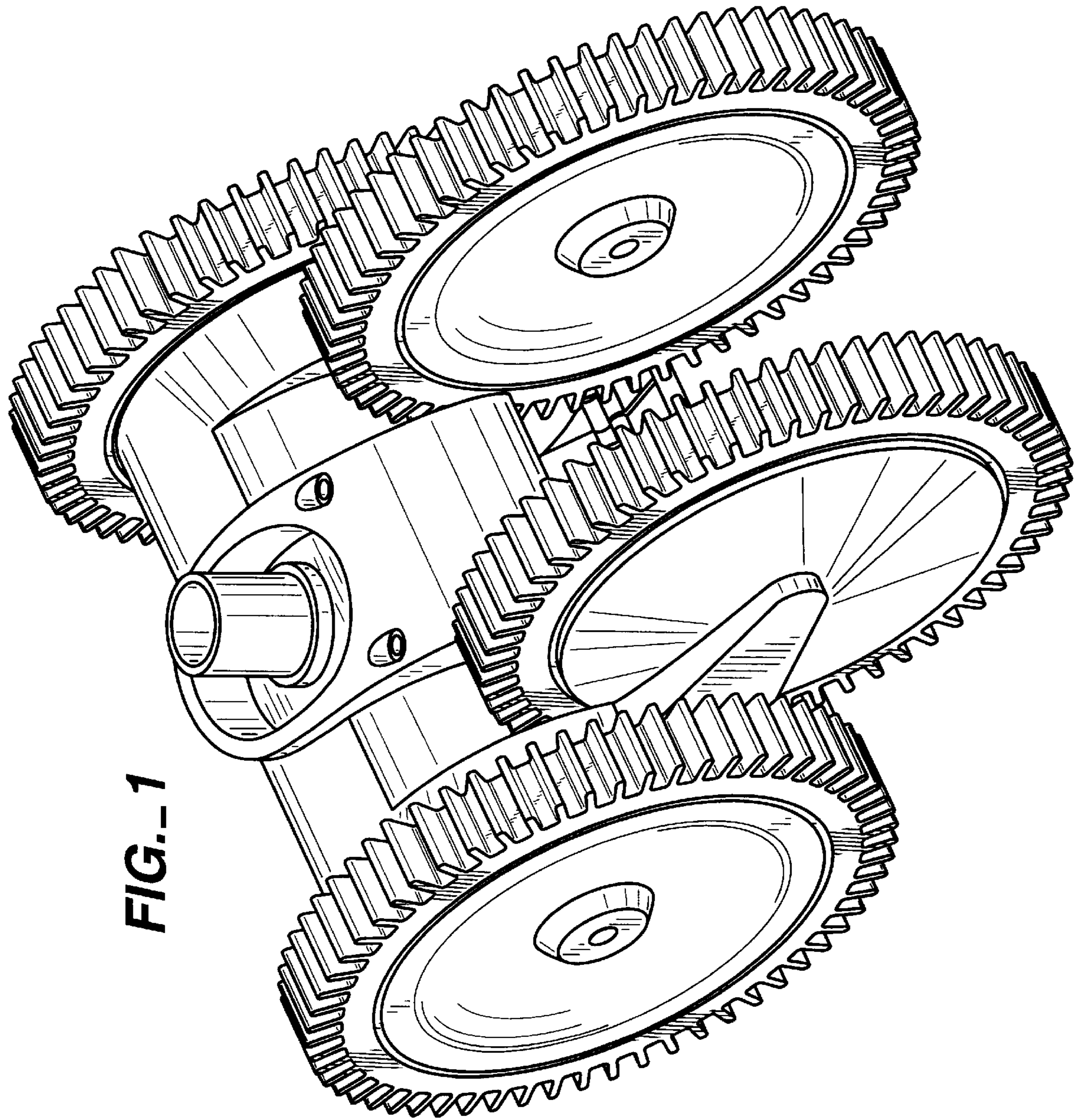


FIG.-1

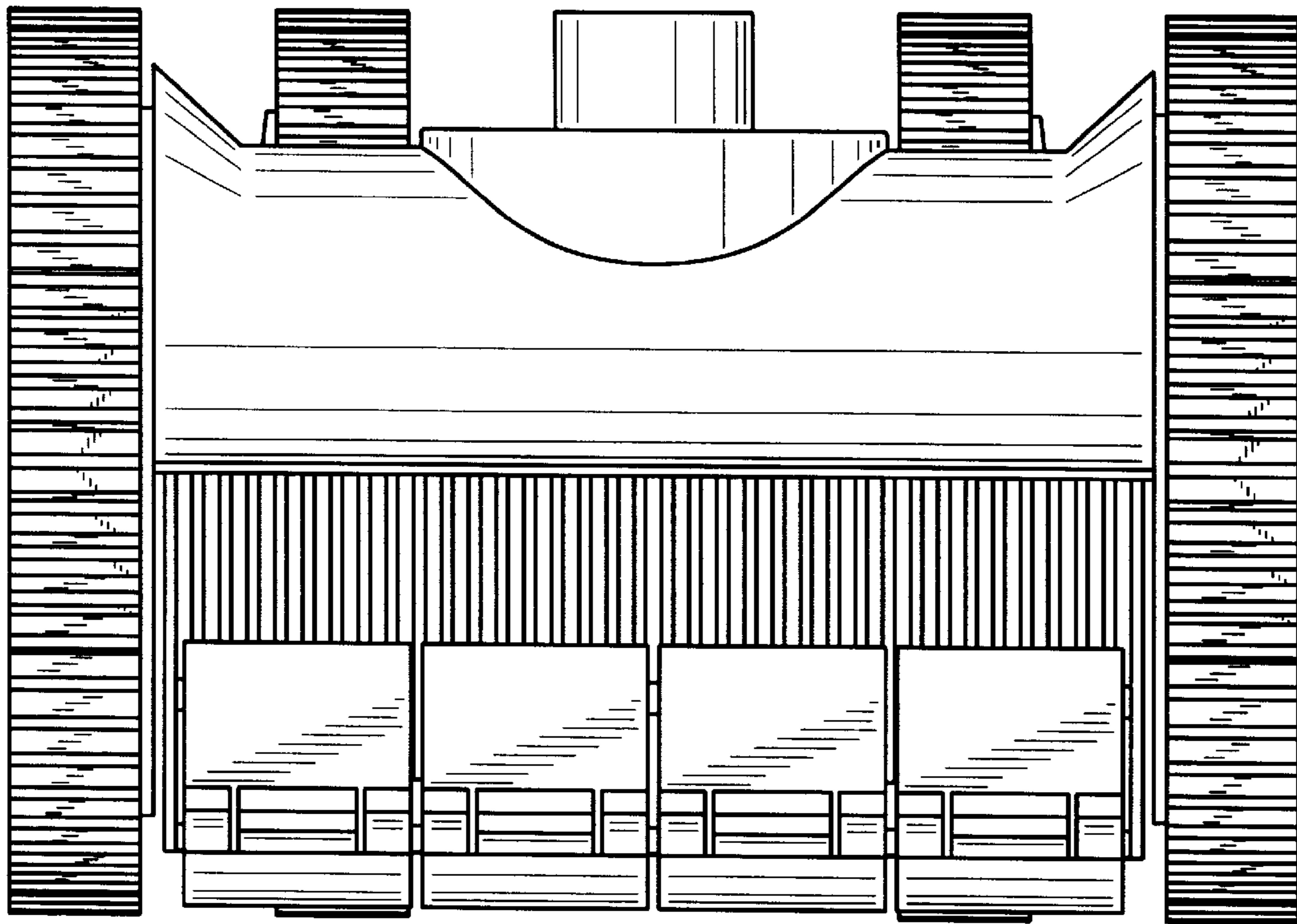


FIG. 2

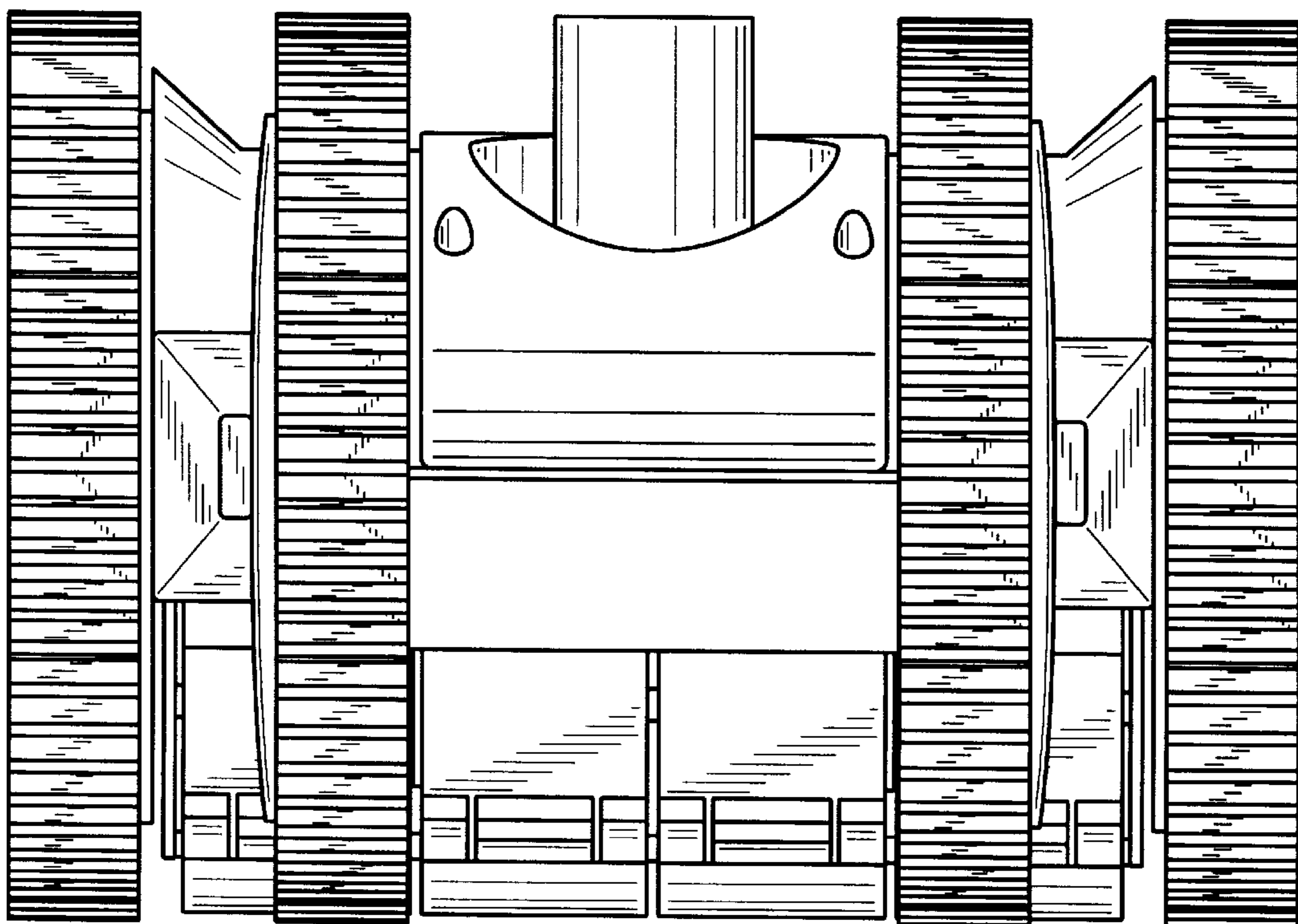


FIG. 4

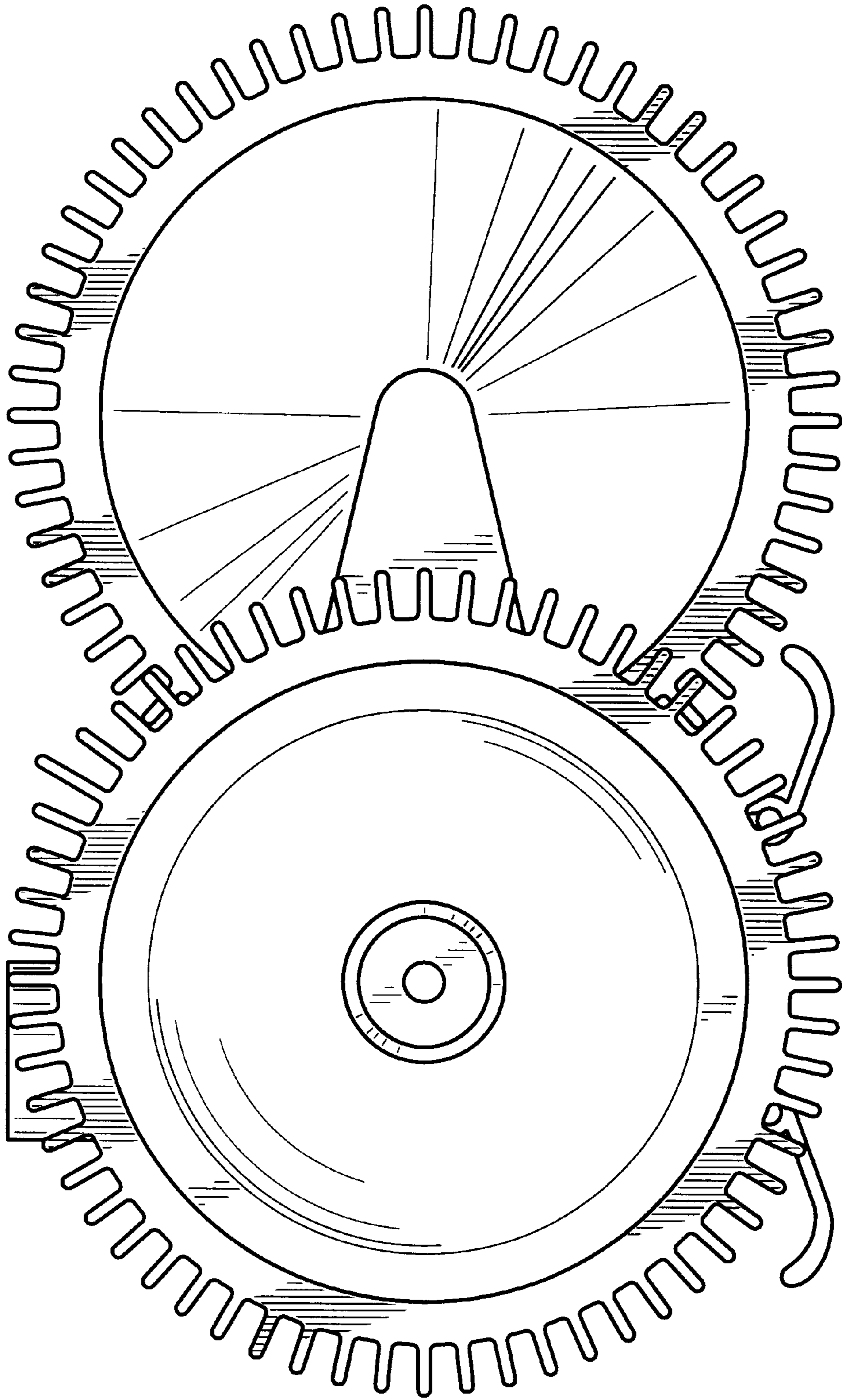


FIG.-3

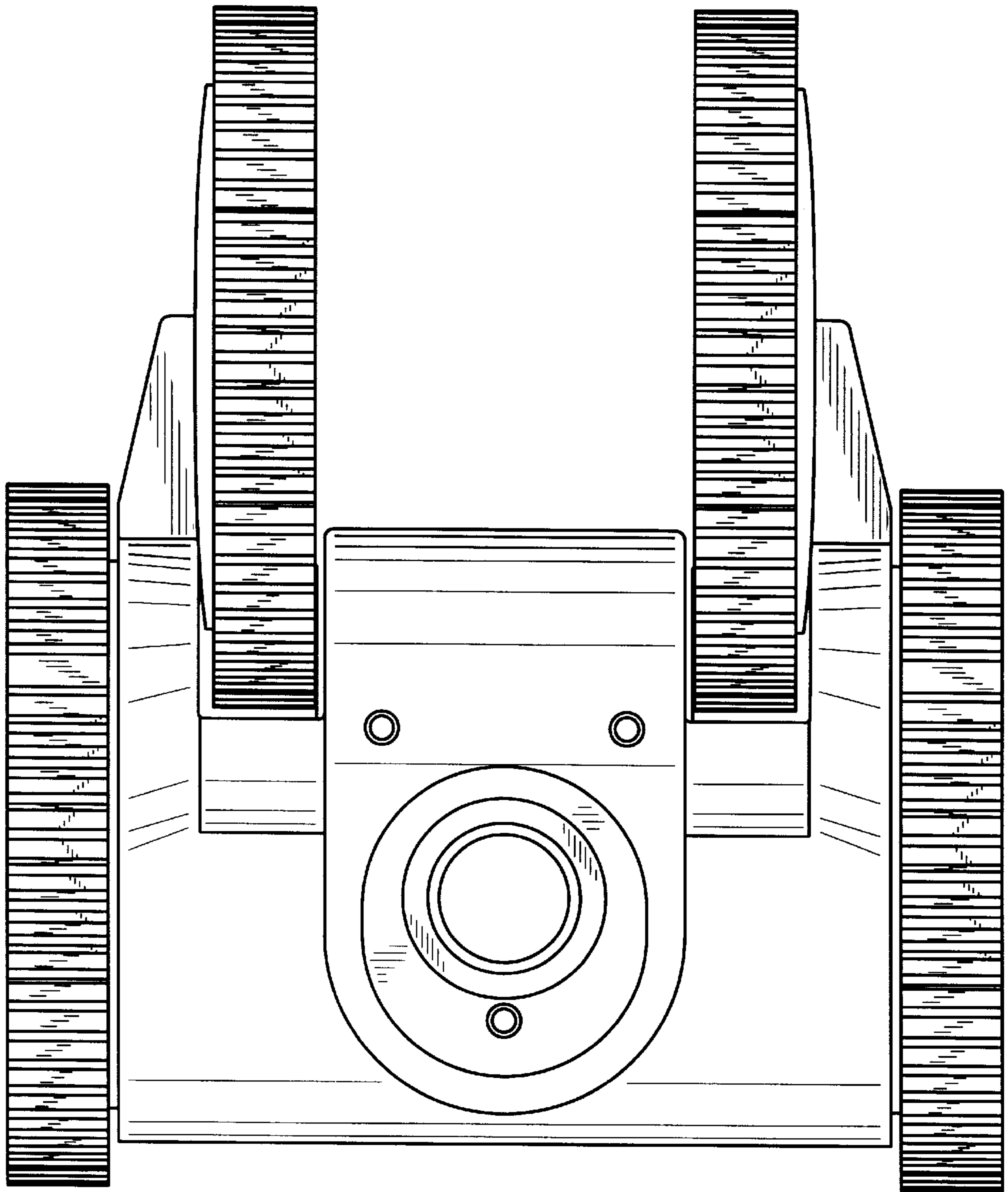


FIG. 5

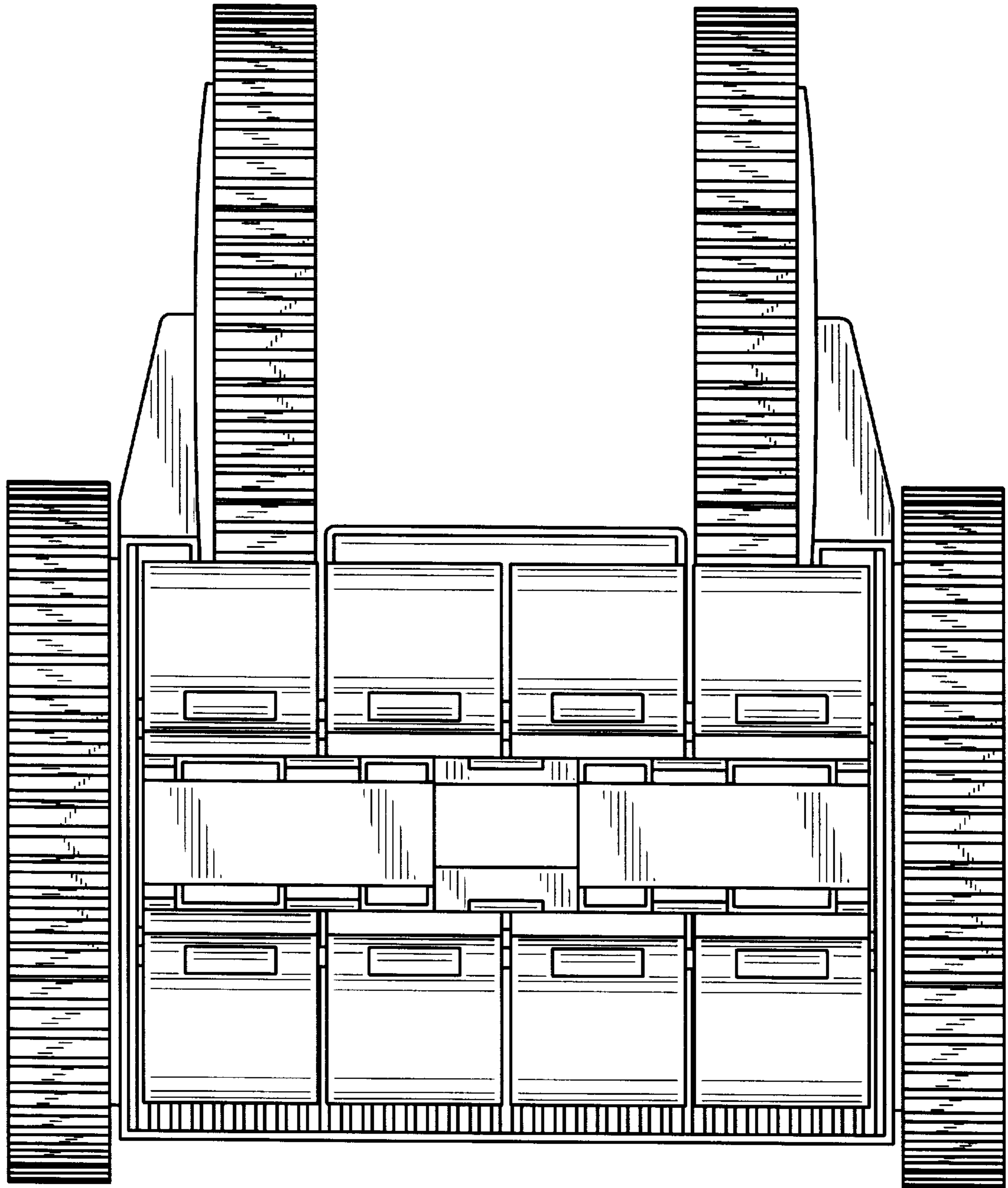


FIG. 6