



US00D443734S

(12) **United States Design Patent**  
**Cheng**

(10) **Patent No.:** **US D443,734 S**

(45) **Date of Patent:** **\*\* Jun. 12, 2001**

(54) **WATER DRINKING DEVICE FOR PETS**

5,301,634 \* 4/1994 Ho ..... 119/72.5

(76) Inventor: **Chen Hui Cheng**, P.O. Box 453,  
Taichung (TW)

\* cited by examiner

*Primary Examiner*—Pamela Burgess

(\*\*) Term: **14 Years**

(57) **CLAIM**

(21) Appl. No.: **29/132,926**

I claim the ornamental design for a water drinking device for  
pets, as shown and described.

(22) Filed: **Nov. 20, 2000**

**DESCRIPTION**

(51) **LOC (7) Cl.** ..... **30-03**

(52) **U.S. Cl.** ..... **D30/132**

(58) **Field of Search** ..... D30/132, 121-133;  
119/51.12, 51.5, 74, 75, 72.5; D9/520,  
559, 521, 557, 570

FIG. 1 is an upper perspective view of the water drinking  
device for pets showing my design.  
FIG. 2 is a front view thereof;  
FIG. 3 is a back view thereof;  
FIG. 4 is a side view thereof;  
FIG. 5 is an opposite side view thereof;  
FIG. 6 is a top view thereof; and,  
FIG. 7 is a bottom view thereof.

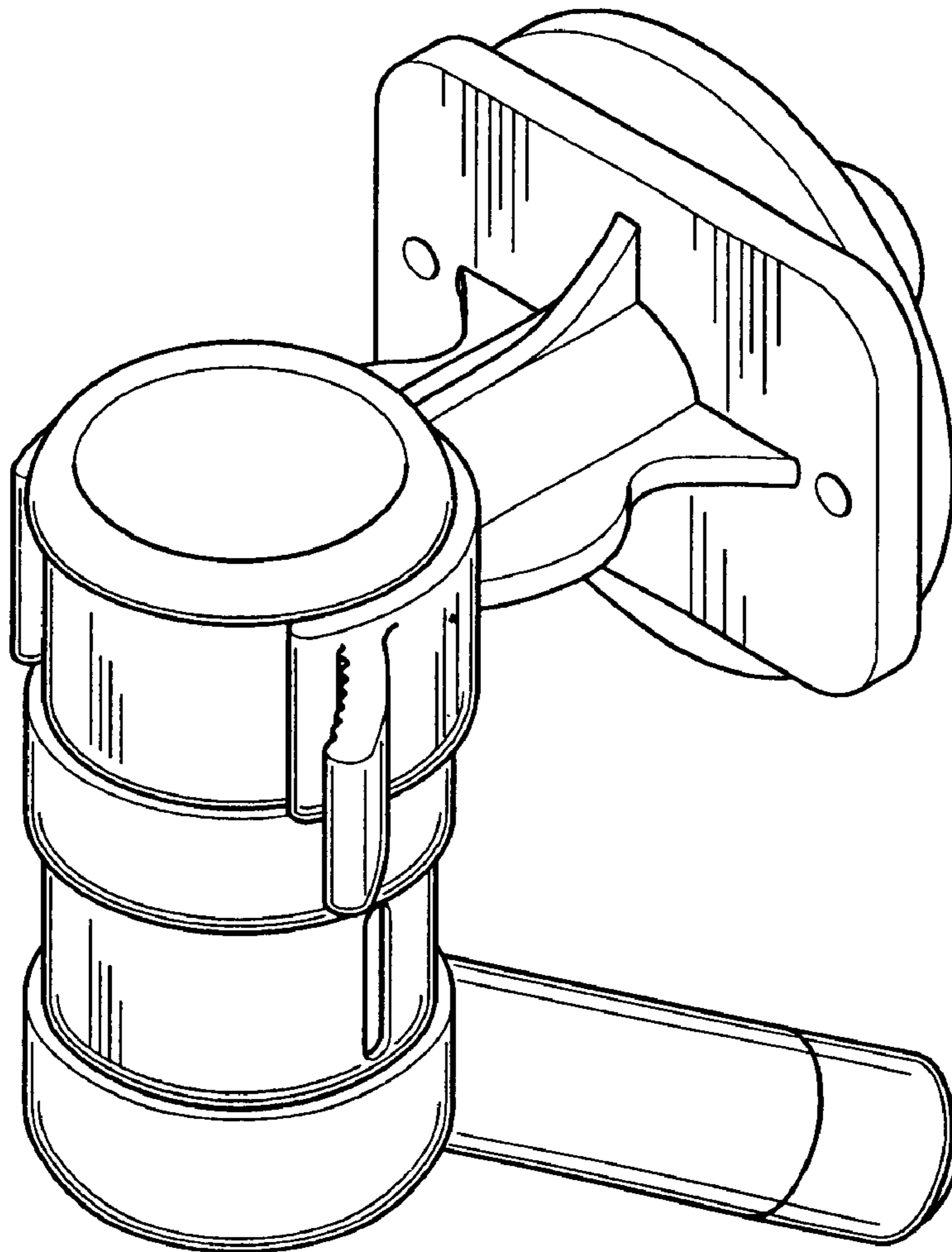
(56) **References Cited**

**U.S. PATENT DOCUMENTS**

D. 360,498 \* 7/1995 Belasco ..... D30/132

D. 424,760 \* 5/2000 Hui ..... D30/132

**1 Claim, 4 Drawing Sheets**



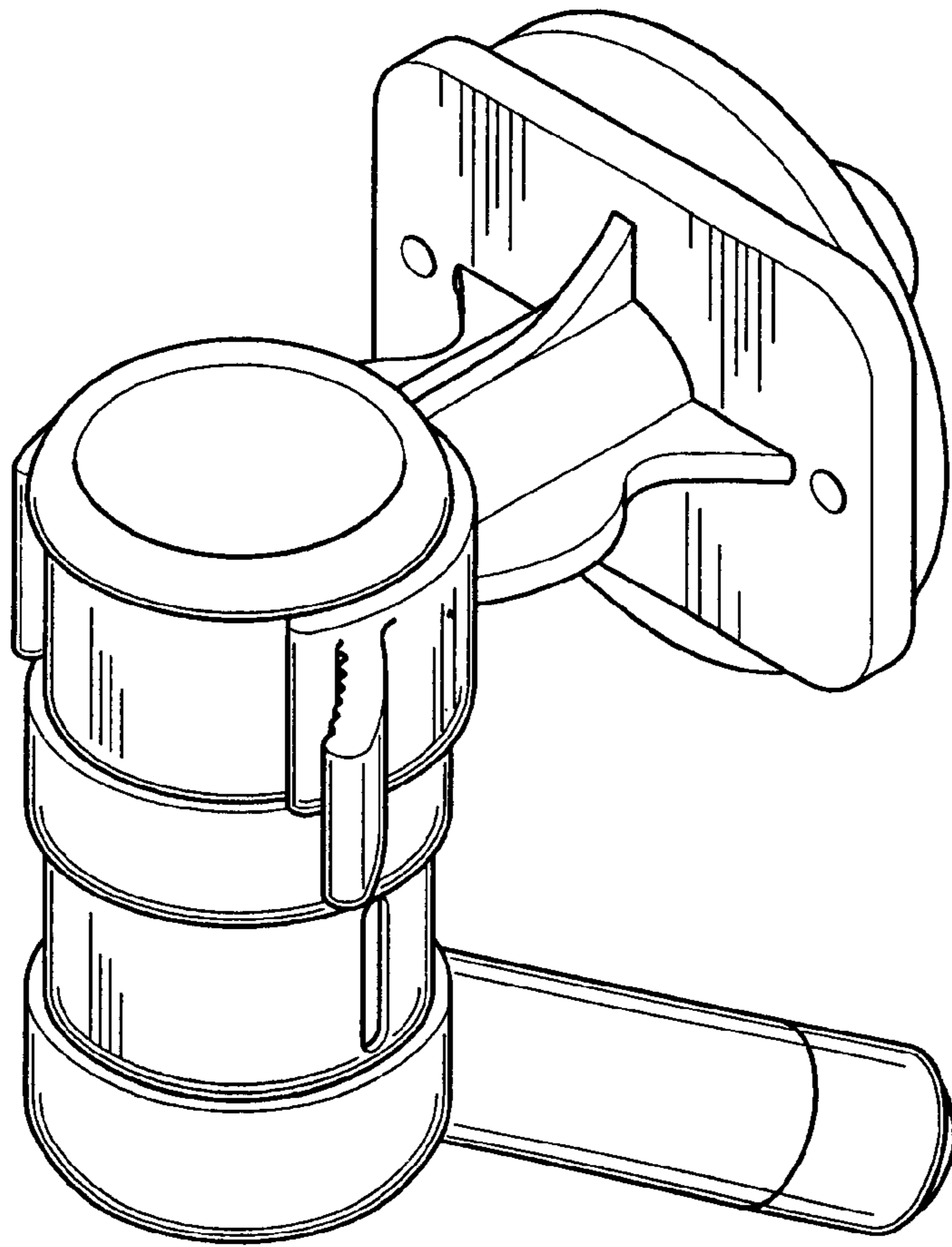


FIG. 1

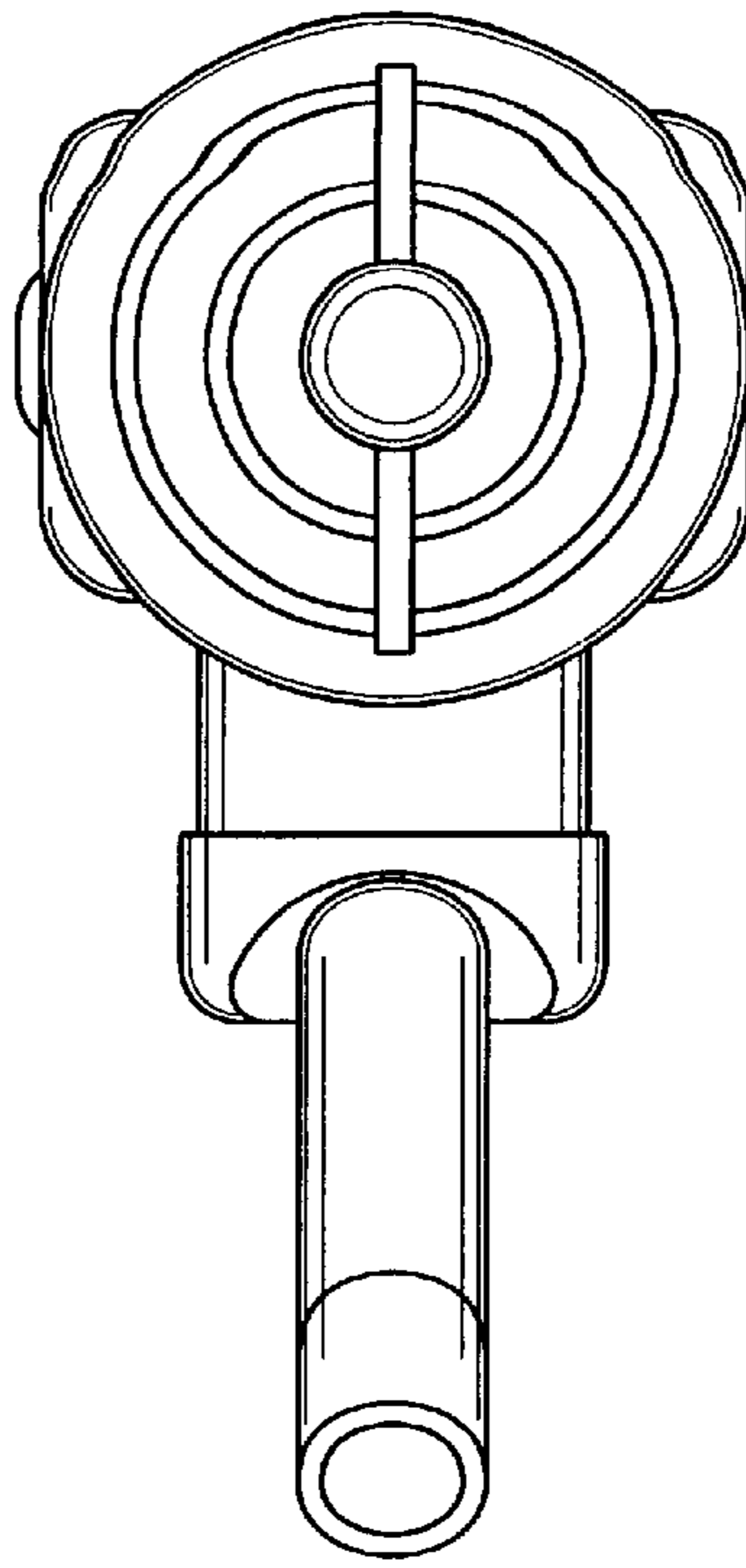


FIG. 2

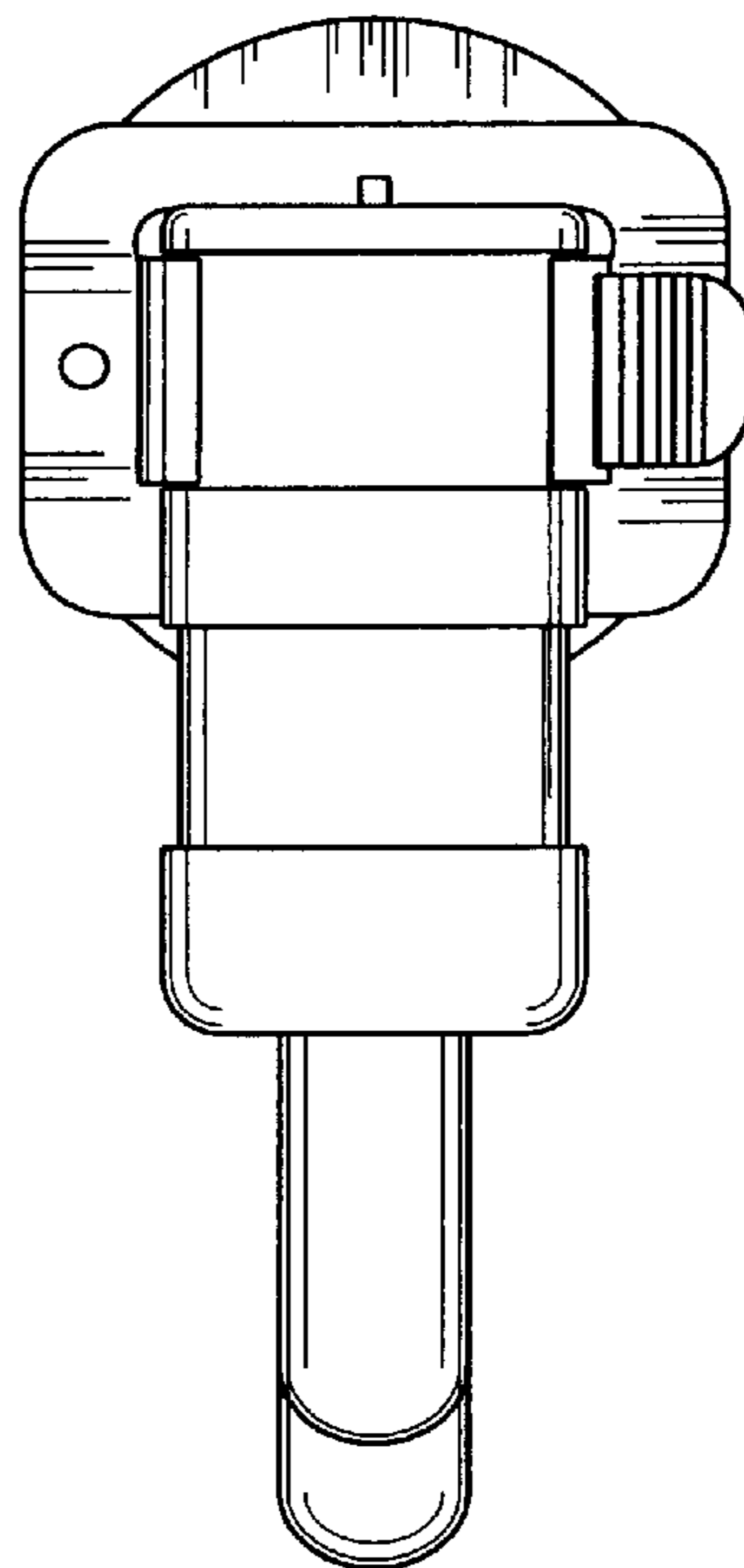


FIG. 3

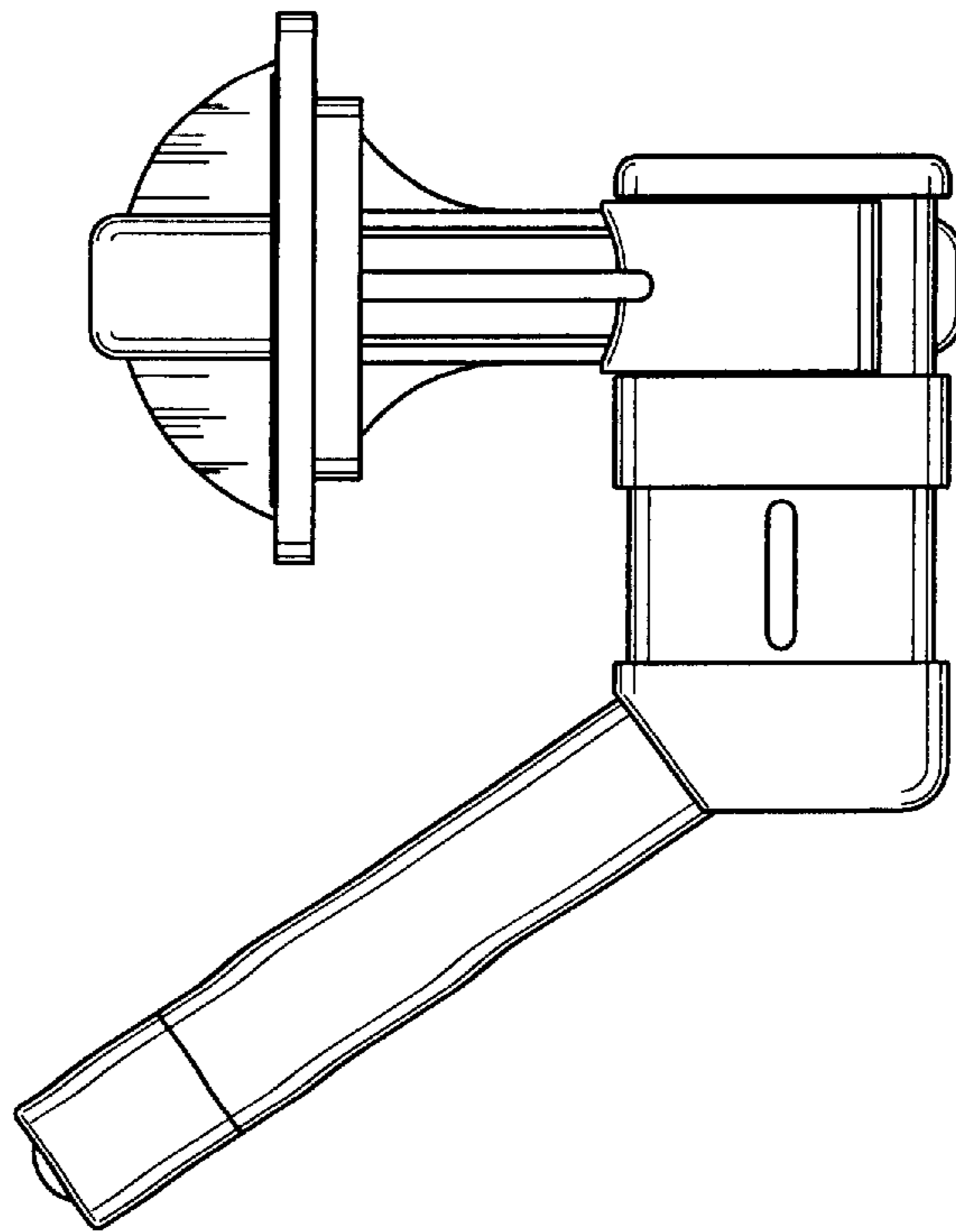


FIG. 4

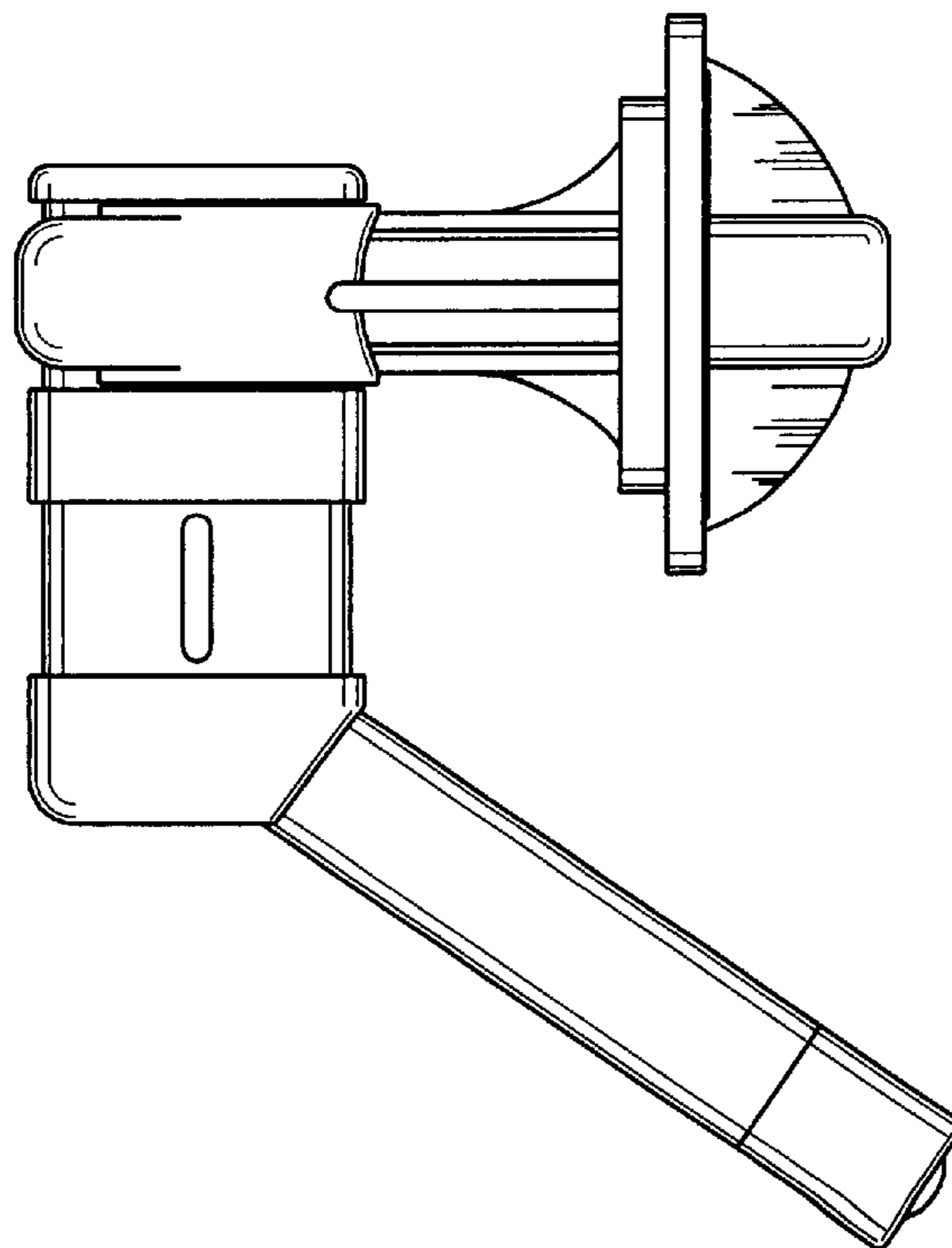


FIG. 5

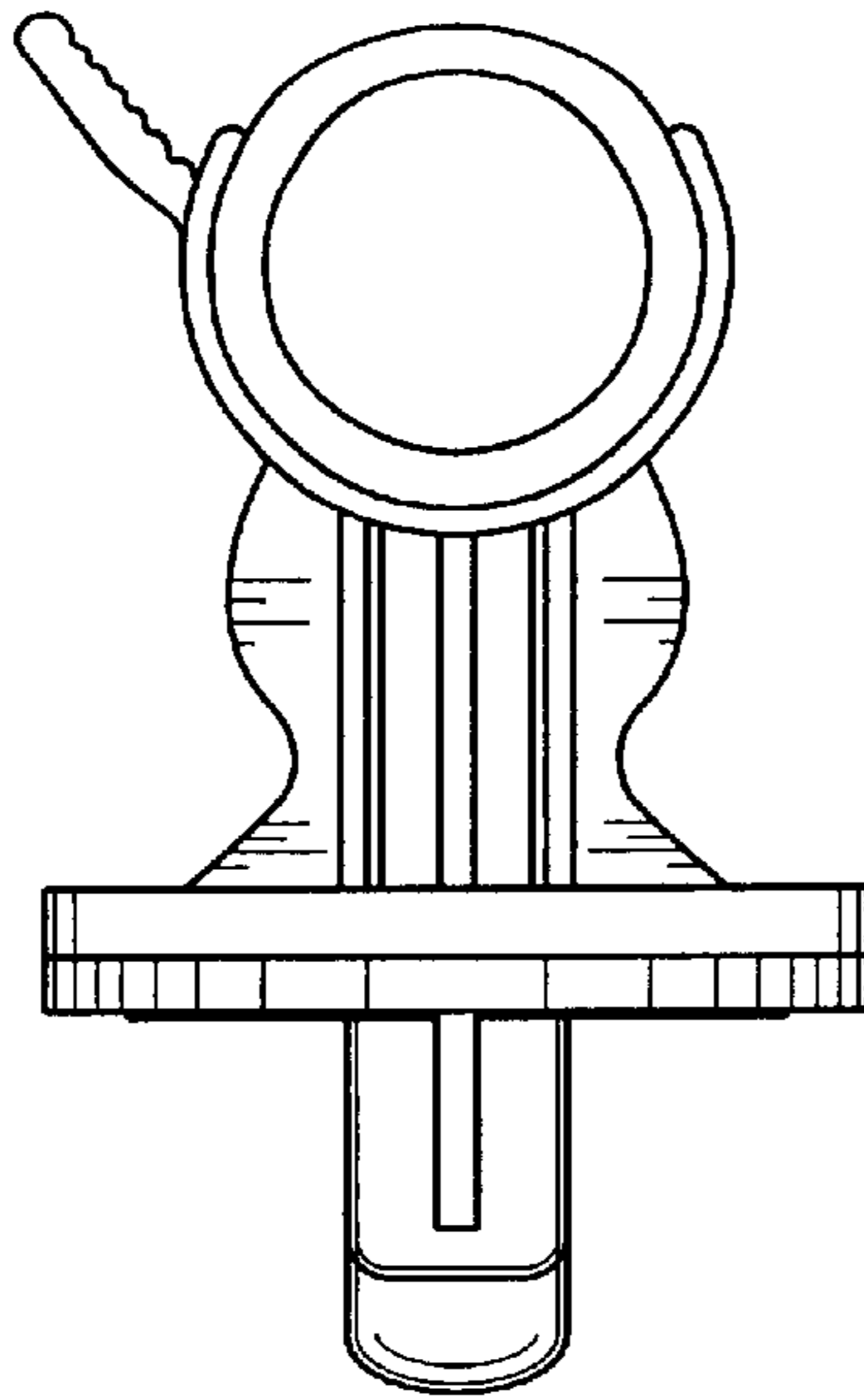


FIG. 6

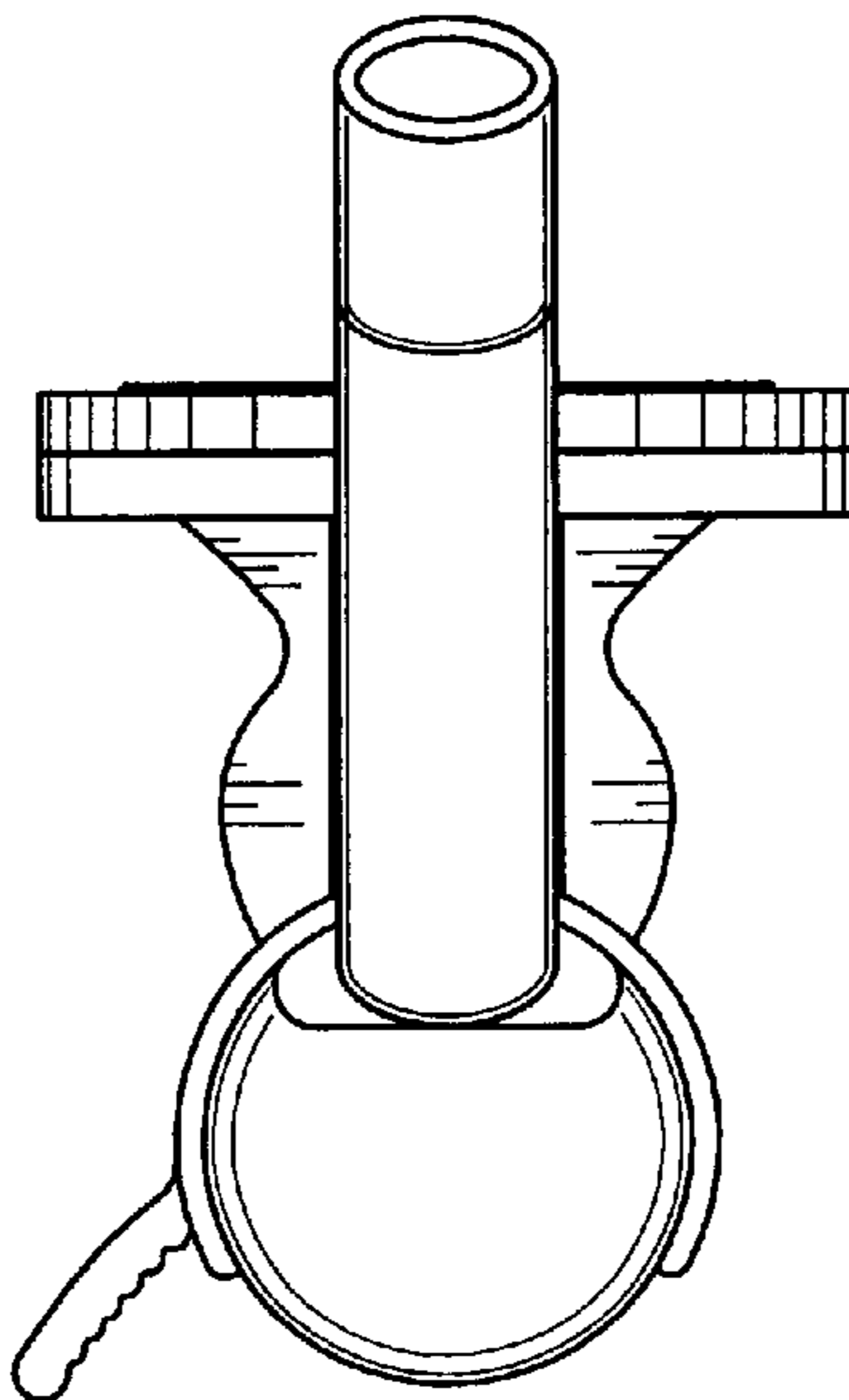


FIG. 7