



US00D443731S

(12) **United States Design Patent**  
**Lee**

(10) **Patent No.:** **US D443,731 S**

(45) **Date of Patent:** **\*\* Jun. 12, 2001**

(54) **OUTHOUSE FOR CATS**

(76) Inventor: **Margaret J. Lee**, P.O. Box 1374, St. Stephens, SC (US) 29479

(\*\*) Term: **14 Years**

(21) Appl. No.: **29/124,888**

(22) Filed: **Jun. 13, 2000**

(51) **LOC (7) Cl.** ..... **30-02**

(52) **U.S. Cl.** ..... **D30/108**

(58) **Field of Search** ..... D30/108-109,  
D30/110-112, 114-117, 118-119, 161;  
119/452-453, 702-706, 455, 161-171,  
428-435, 459-471, 531, 28.5, 496, 482,  
485, 497-498

(56) **References Cited**

**U.S. PATENT DOCUMENTS**

D. 199,895	*	12/1964	Morris	.....	D30/108
D. 294,184	*	2/1988	Arthur, II	.....	D30/108
D. 298,577	*	11/1988	Faxon	.....	D30/108
D. 307,200	*	4/1990	Posenauer	.....	D30/111
D. 307,495	*	4/1990	Logan, Jr.	.....	D30/108
D. 331,649	*	12/1992	Saja	.....	D30/161
D. 334,445	*	3/1993	Kiani	.....	D30/108
D. 338,985	*	8/1993	Altman et al.	.....	D30/108

D. 371,641	*	7/1996	Crowley	.....	D30/108
D. 392,076	*	3/1998	Goemans	.....	D30/161
D. 396,734	*	8/1998	Koneke	.....	D30/108
1,172,777	*	2/1916	Estel	.....	119/498
4,006,713	*	2/1977	Hawley, III	.....	119/498
5,129,364	*	7/1992	Pirkle	.....	119/167
5,937,792	*	8/1999	Madrid	.....	119/482
5,970,914	*	10/1999	Steil et al.	.....	119/165

\* cited by examiner

*Primary Examiner*—Cathy Anne MacCormac

(74) *Attorney, Agent, or Firm*—Harleston Law Firm;  
Kathleen M. Harleston

(57) **CLAIM**

The ornamental design for an outhouse for cats, as shown.

**DESCRIPTION**

FIG. 1 is a front perspective view of an outhouse for cats, showing my new design;

FIG. 2 is a front elevational view thereof;

FIG. 3 is a rear elevational view thereof;

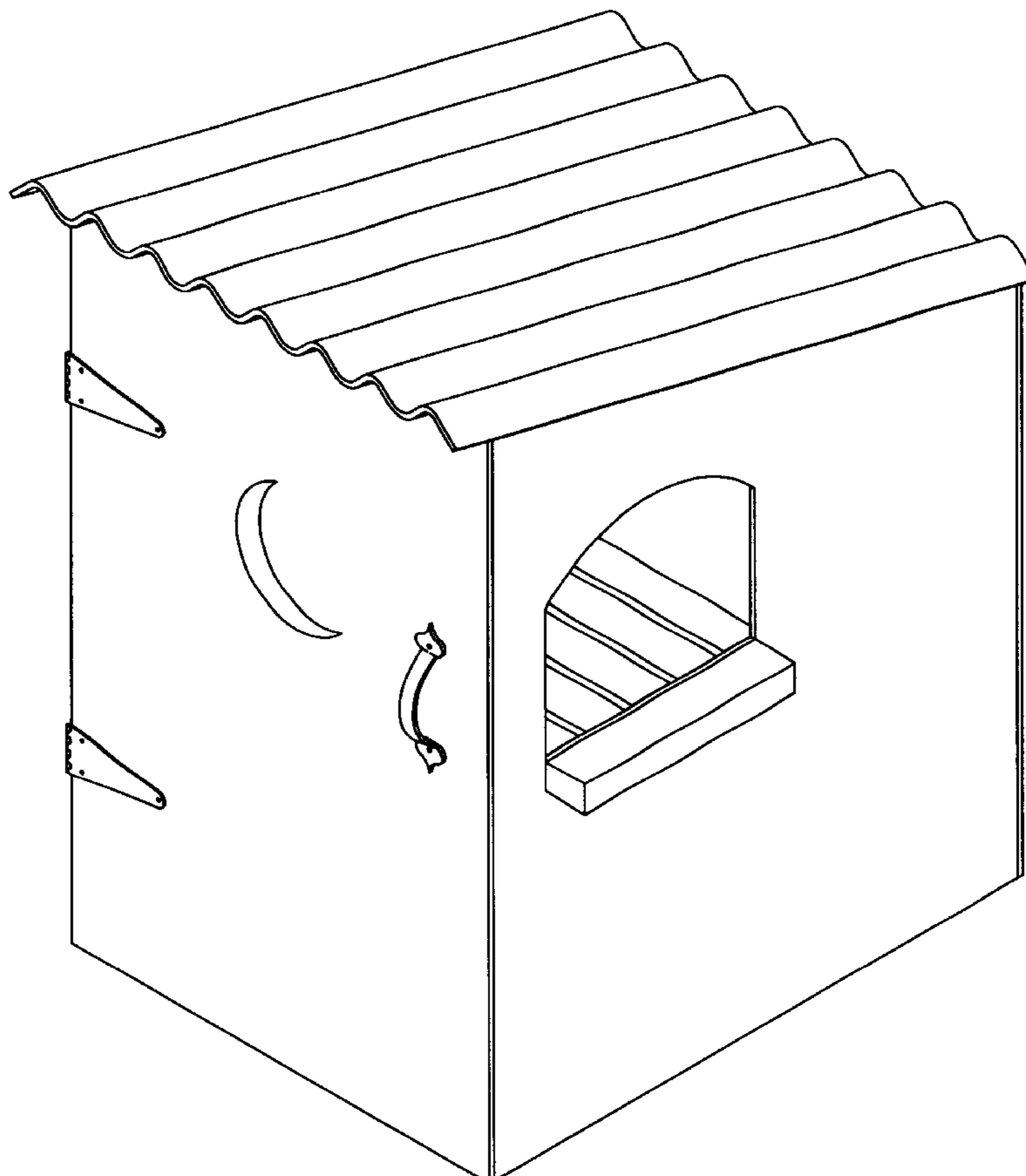
FIG. 4 is a top plan view thereof;

FIG. 5 is a right side elevational view thereof;

FIG. 6 is a left side elevational view thereof; and,

FIG. 7 is a bottom plan view thereof.

**1 Claim, 4 Drawing Sheets**



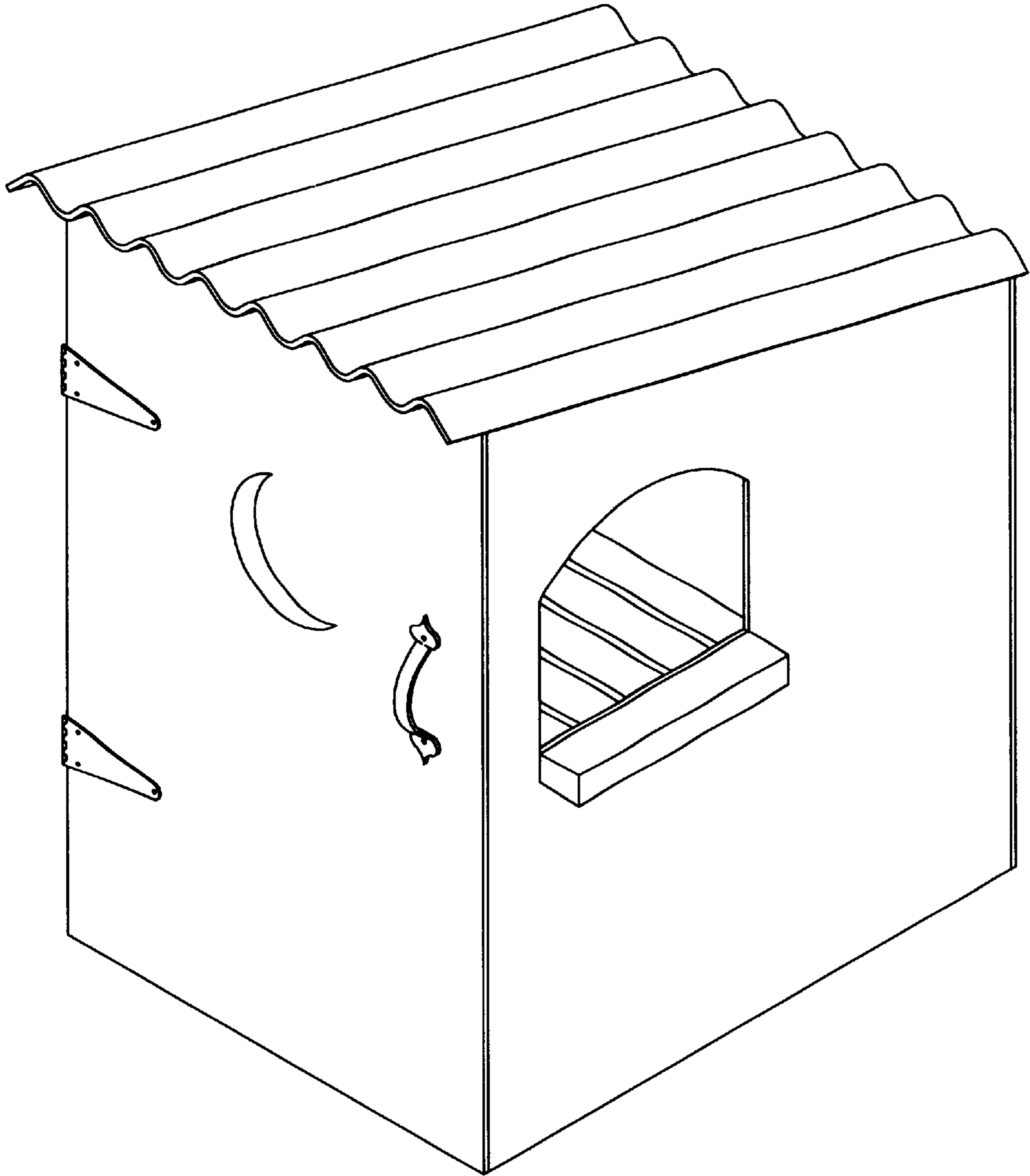


FIG. 1

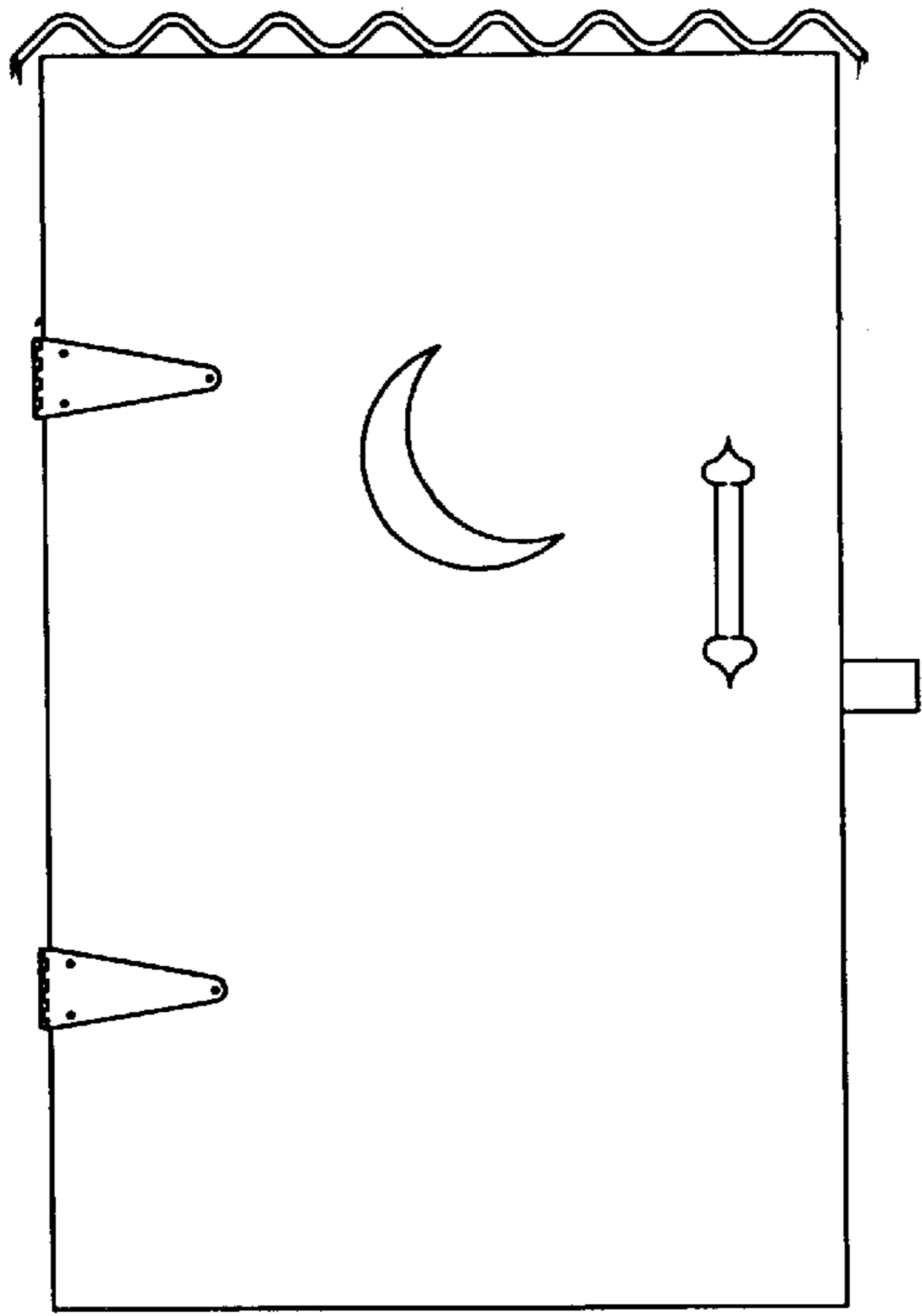


FIG. 2

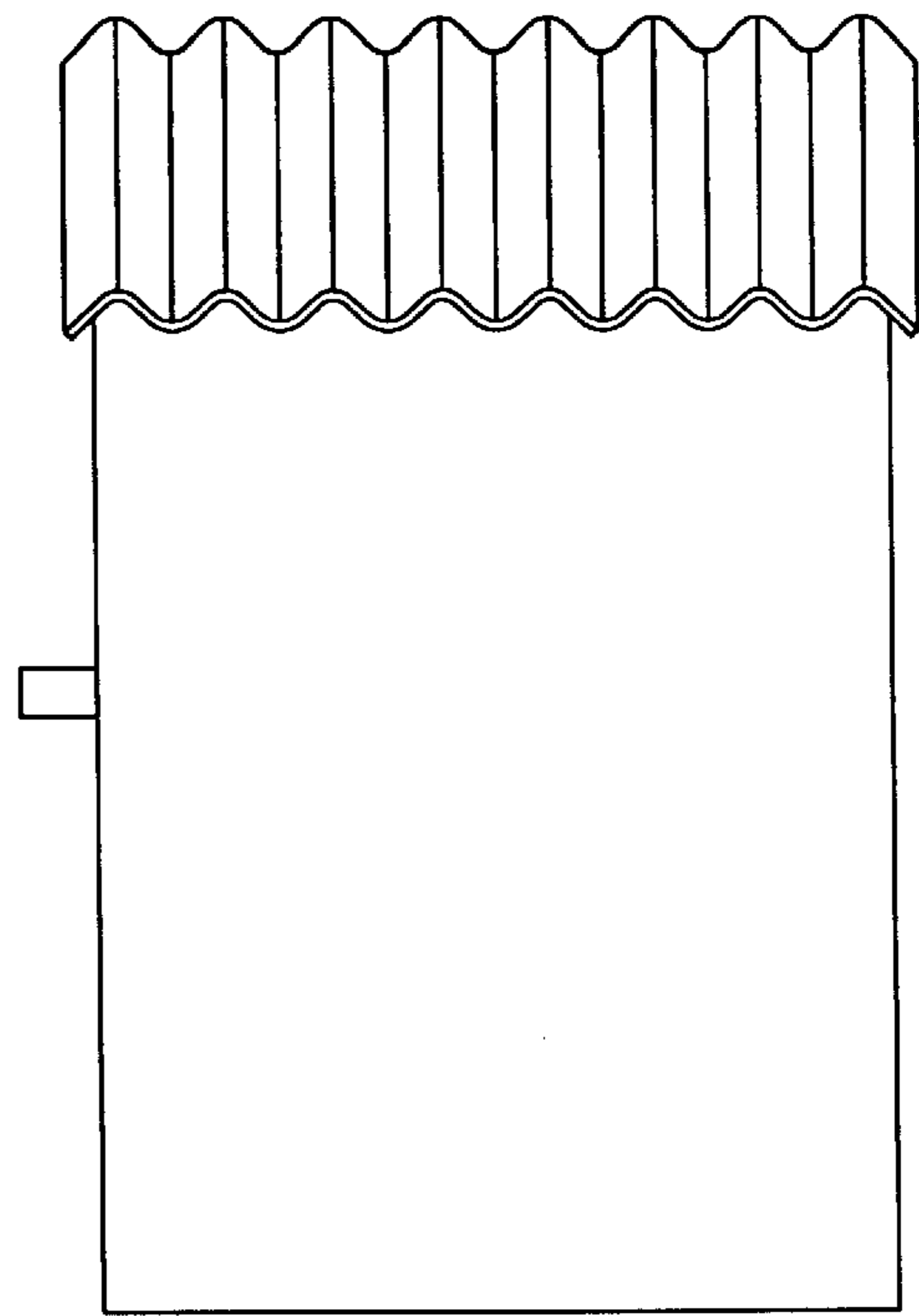


FIG. 3

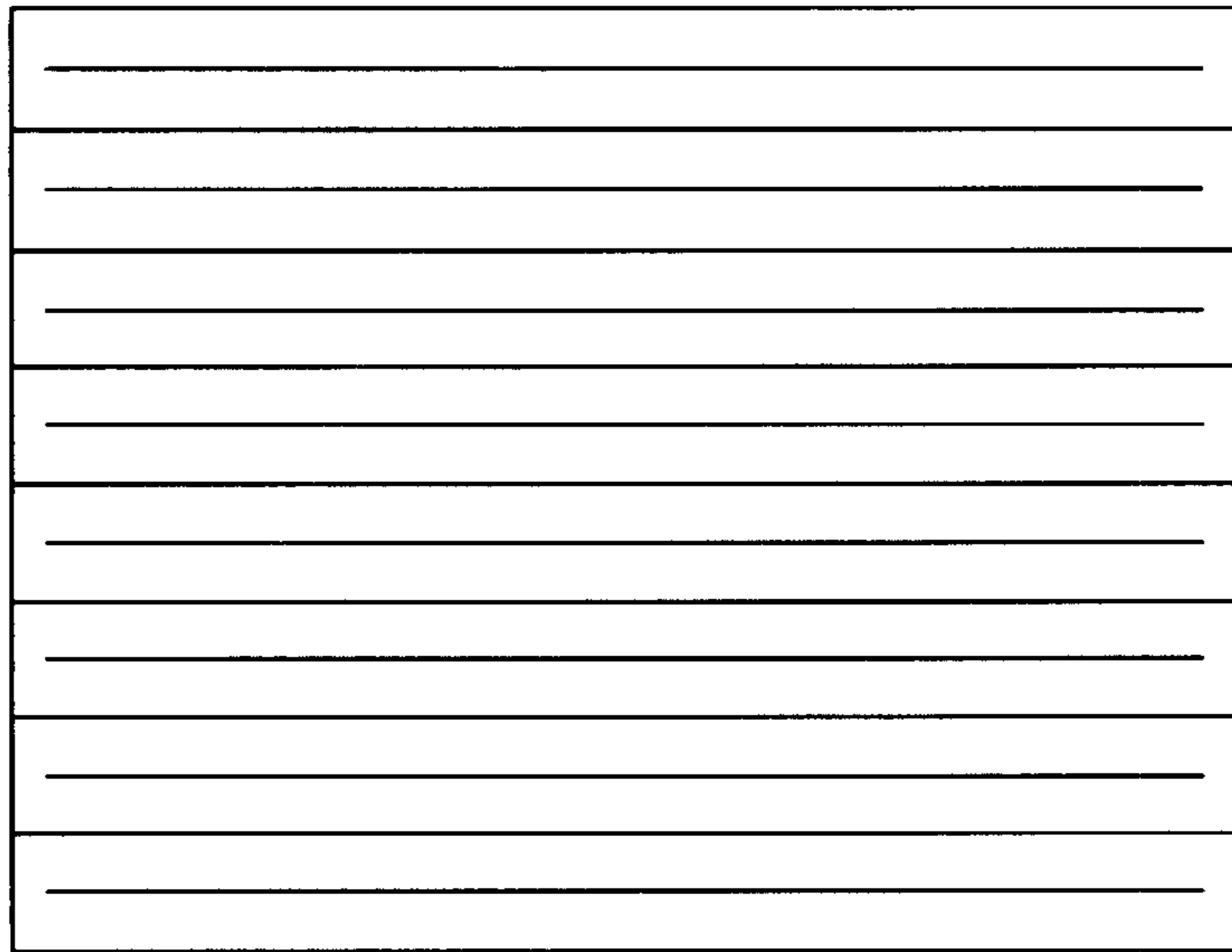


FIG. 4

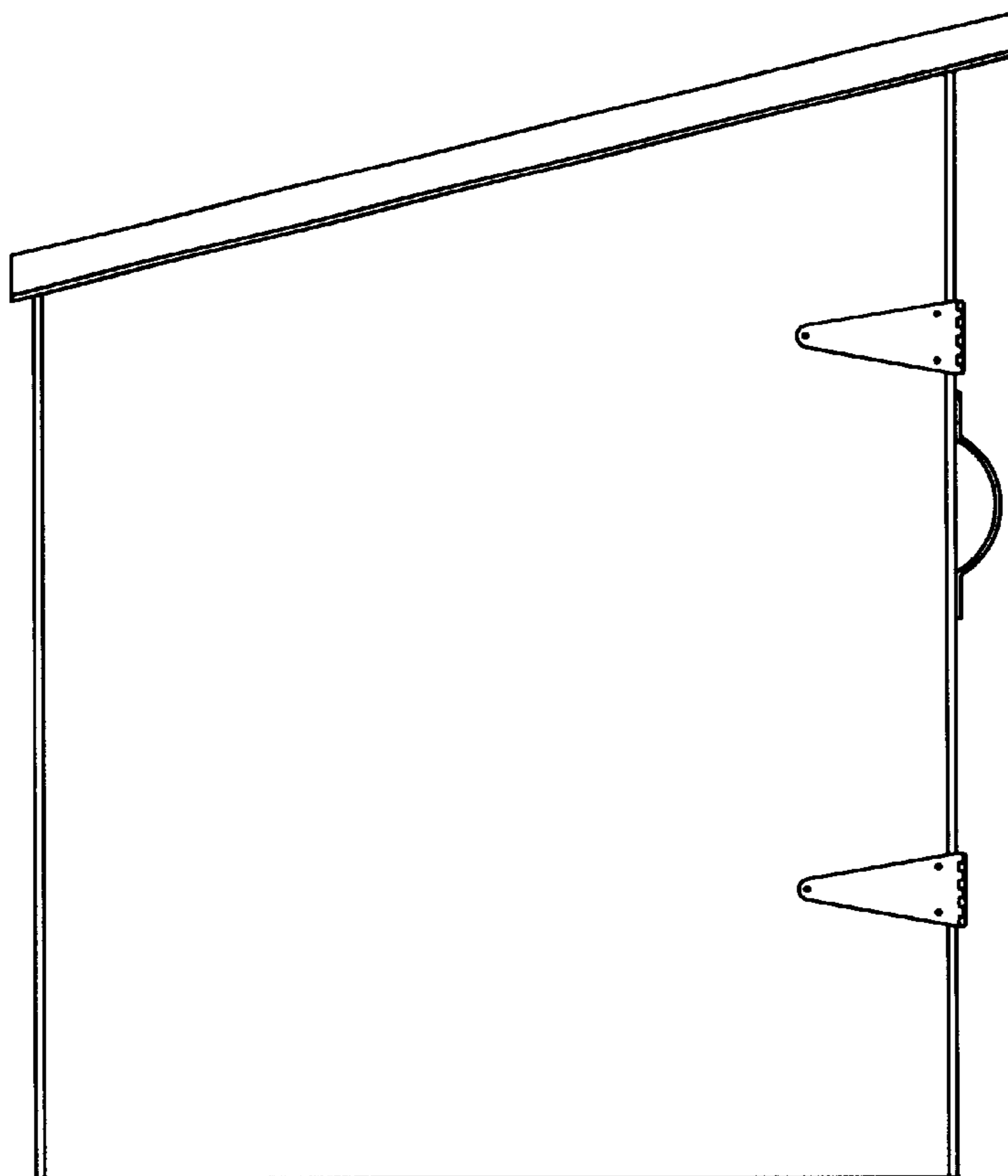


FIG. 5

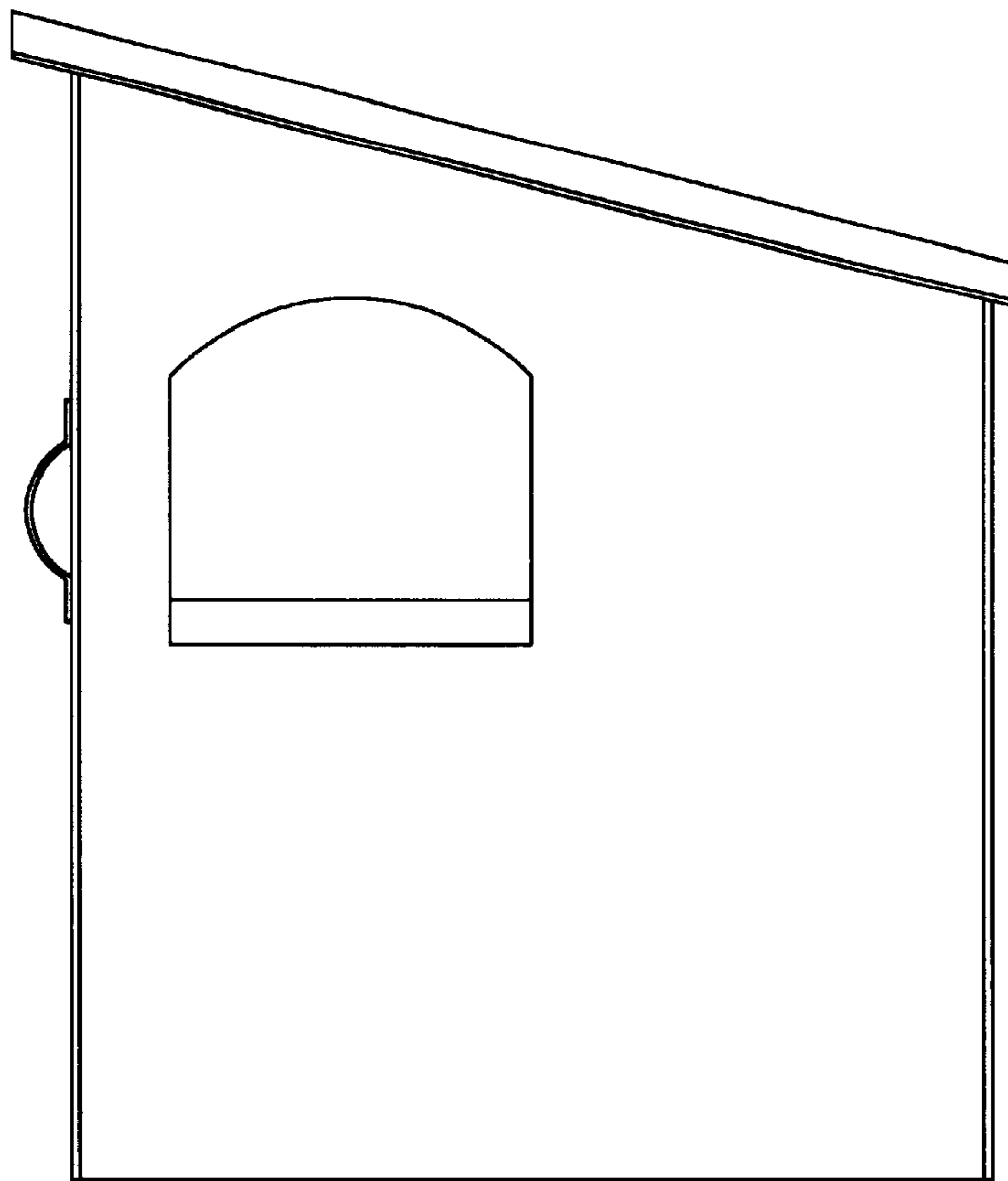


FIG. 6

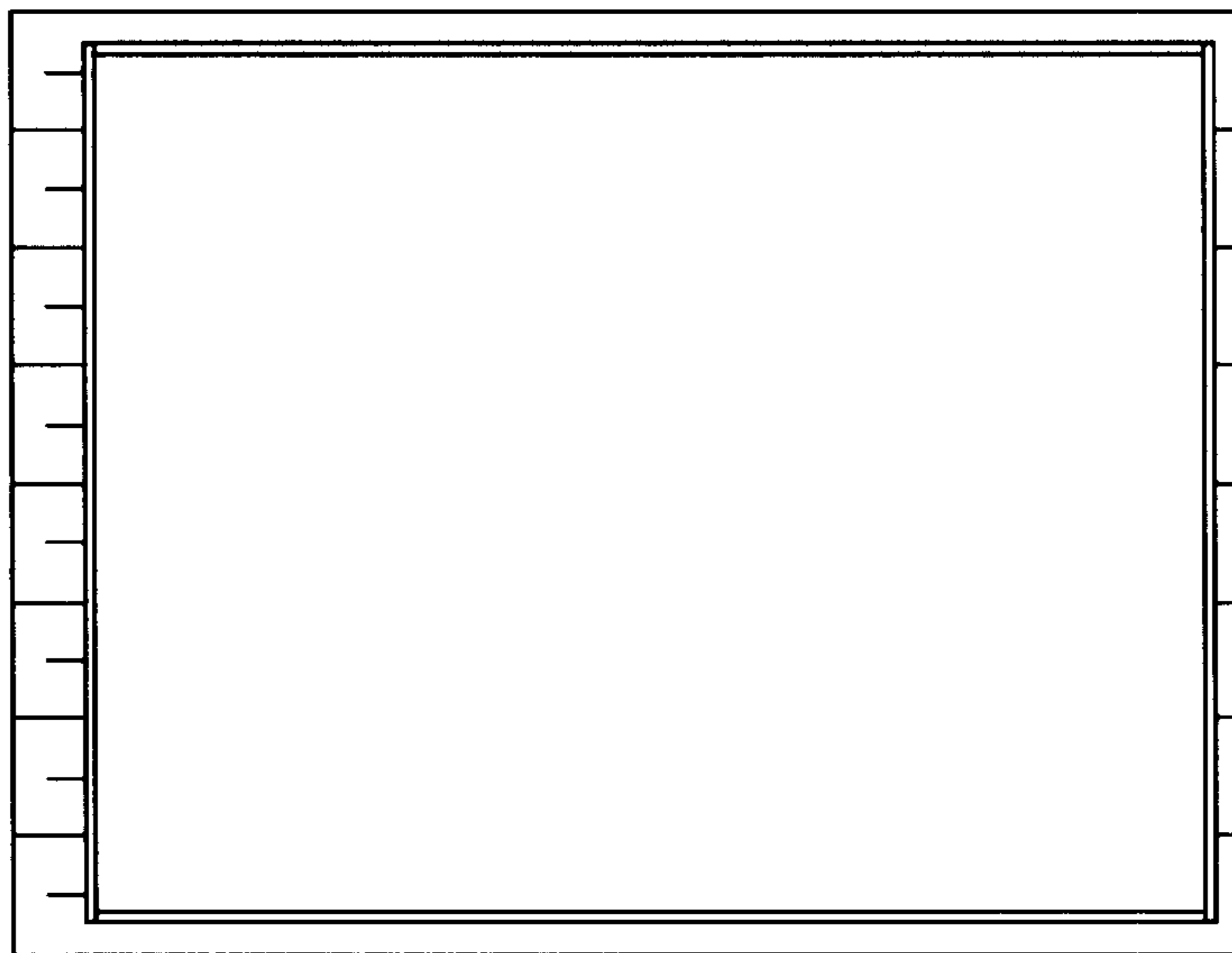


FIG. 7