



US00D443727S

(12) **United States Design Patent**  
**Faillant-Dumas**

(10) **Patent No.:** **US D443,727 S**

(45) **Date of Patent:** **\*\* Jun. 12, 2001**

(54) **CONTAINER FOR COSMETICS**

(75) Inventor: **Jérôme Faillant-Dumas**, Paris (FR)

(73) Assignee: **L.A.B. Luxe, Art, Beaute**, Paris (FR)

(\*\*) Term: **14 Years**

(21) Appl. No.: **29/096,517**

(22) Filed: **Nov. 13, 1998**

(30) **Foreign Application Priority Data**

May 13, 1998 (FR) ..... 98 2920

(51) **LOC (7) Cl.** ..... **28-03**

(52) **U.S. Cl.** ..... **D28/82**

(58) **Field of Search** ..... D28/76-84; 132/293-307,  
132/316; 206/235, 581, 823; 220/DIG. 26

(56) **References Cited**

**U.S. PATENT DOCUMENTS**

- D. 63,028 \* 9/1923 Foster ..... D28/78
- D. 97,936 \* 12/1935 Neumann-Holste ..... D3/203
- D. 105,972 \* 9/1937 Steiner ..... D28/83
- D. 277,896 \* 3/1985 Chevassus ..... D28/78
- D. 299,561 \* 1/1989 Bakic ..... D28/78
- D. 342,808 \* 12/1993 Bakic ..... D28/82
- 2,089,833 \* 8/1937 Kasdan ..... 132/303

**FOREIGN PATENT DOCUMENTS**

545817 \* 6/1993 (EP) ..... 132/293

**OTHER PUBLICATIONS**

D&CI Apr. 1994, p. 74: compact.\*

Hecht's advertising leaf for Shiseido products, on display at Hecht's Apr. 27, 1994: compact indicated by arrow.\*

Hong Kong Enterprise Jun. 1995, p. 590: compact indicated by arrow.\*

\* cited by examiner

*Primary Examiner*—Ted Shooman

*Assistant Examiner*—C Tuttle

(74) *Attorney, Agent, or Firm*—Medlen & Carroll, LLP

(57) **CLAIM**

The ornamental design for a container for cosmetics, as shown and described.

**DESCRIPTION**

FIG. 1 is a top plan view of a container for cosmetics showing my new design;

FIG. 2 is a bottom perspective view thereof;

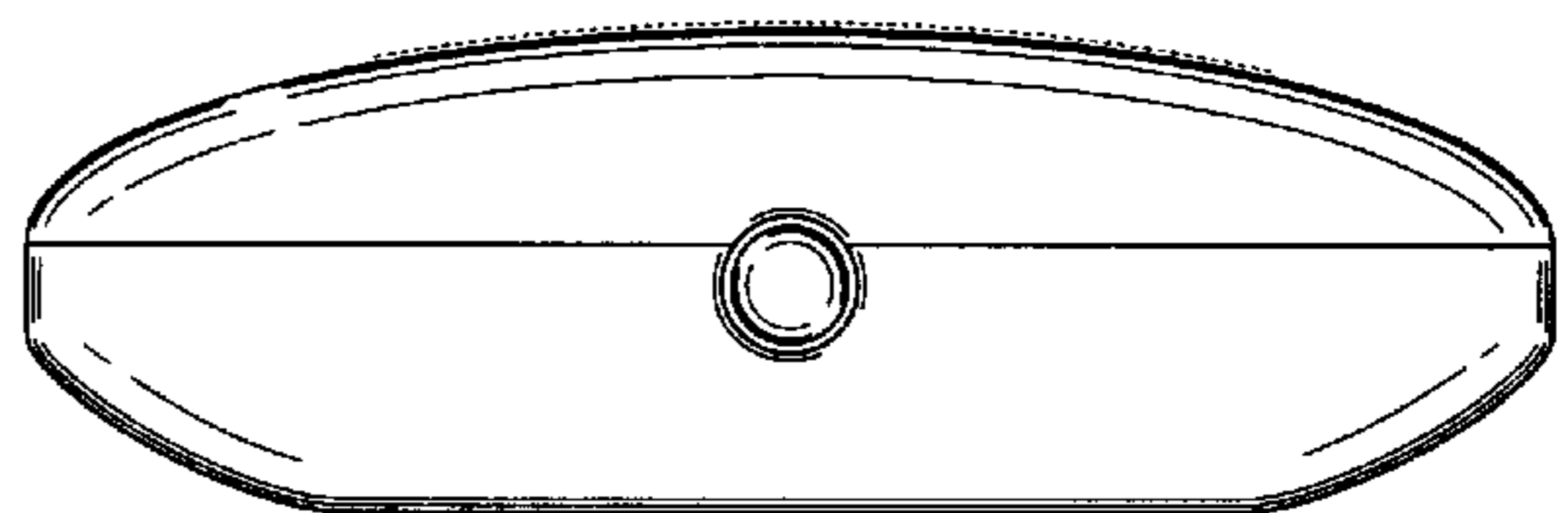
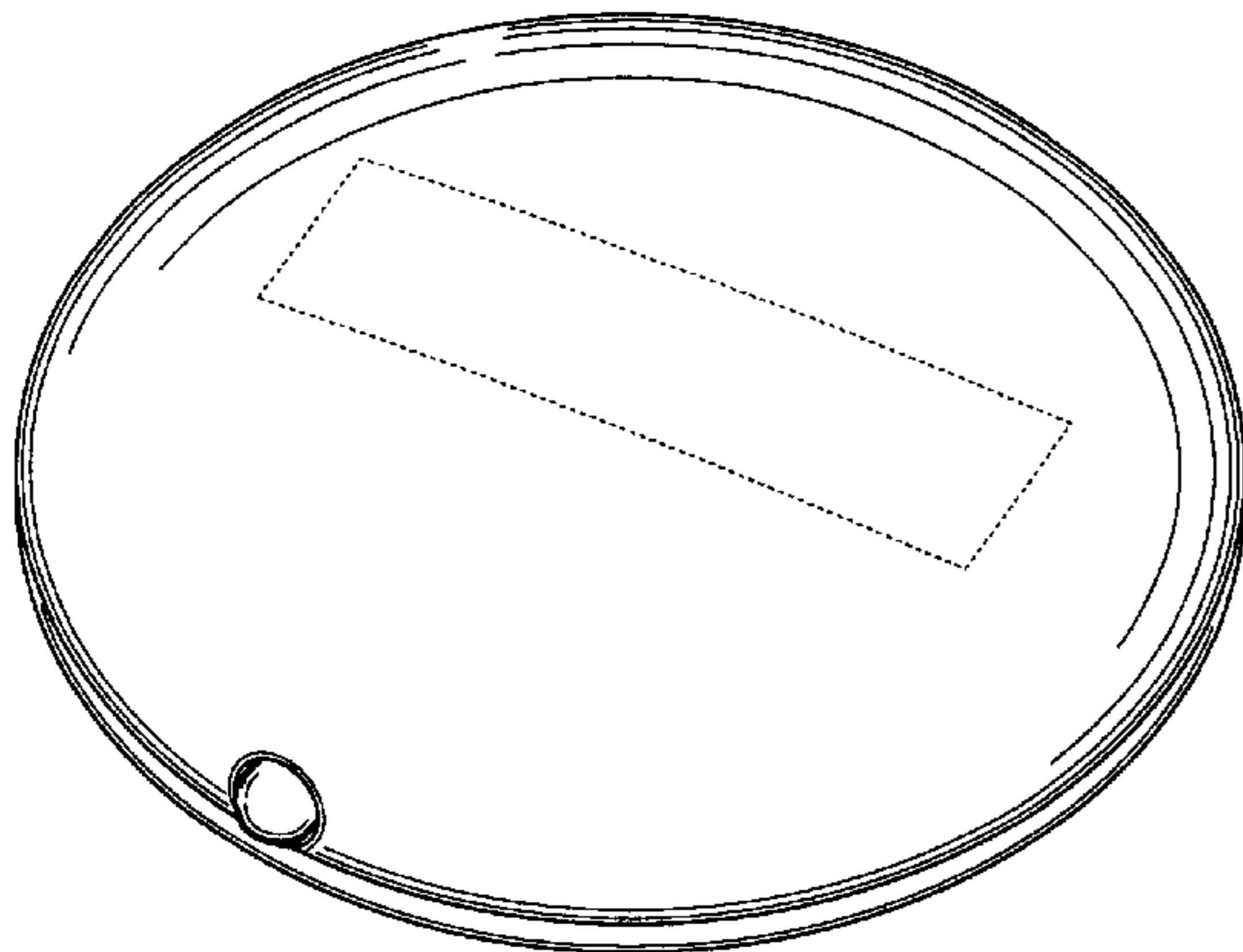
FIG. 3 is a rear view of FIGS. 1 and 4;

FIG. 4 is right a side view thereof; and,

FIG. 5 is a front view thereof.

The broken lines which define the bounds of the claim on the top and bottom surface form no part thereof.

**1 Claim, 2 Drawing Sheets**



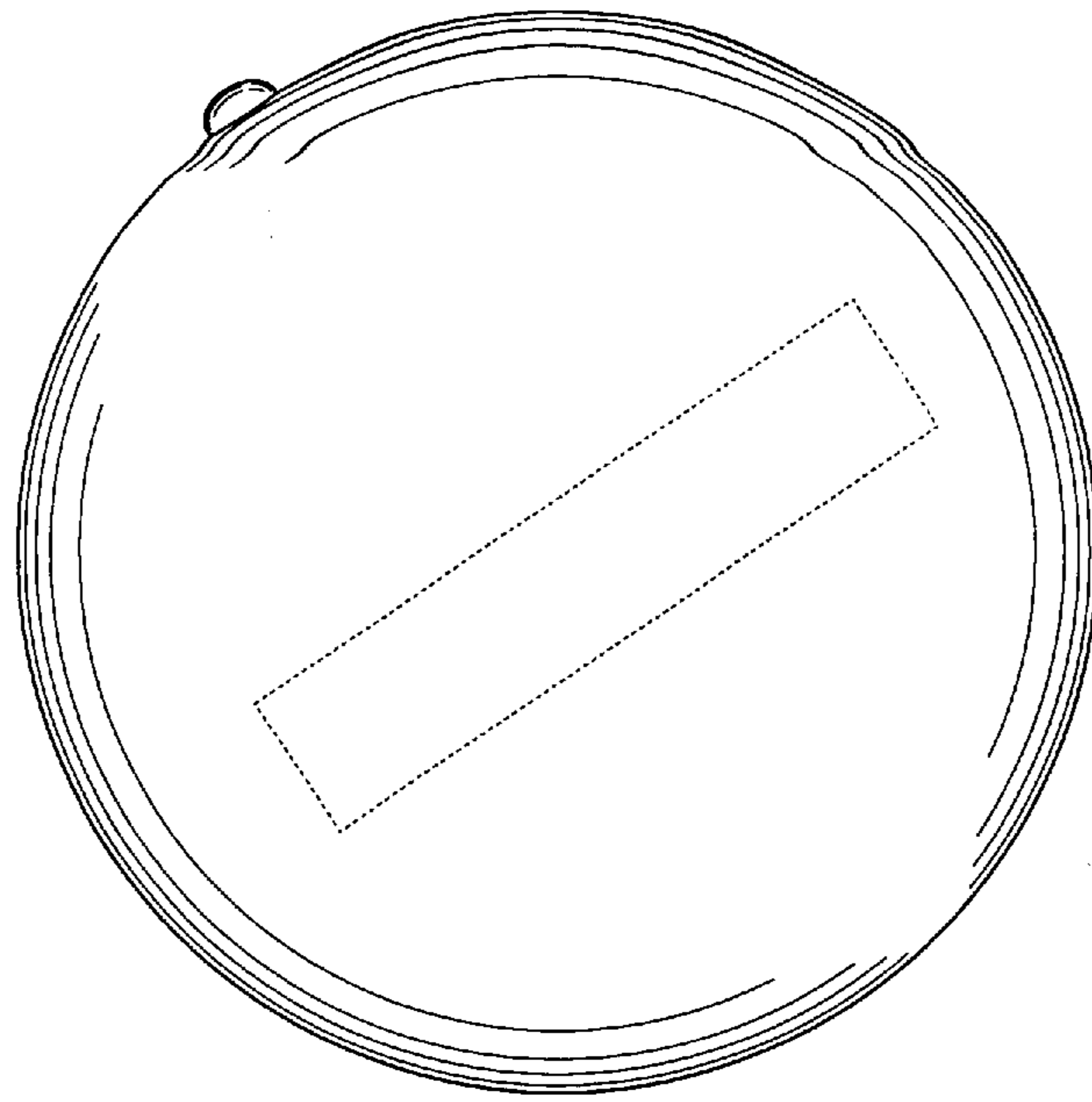


FIG. 1

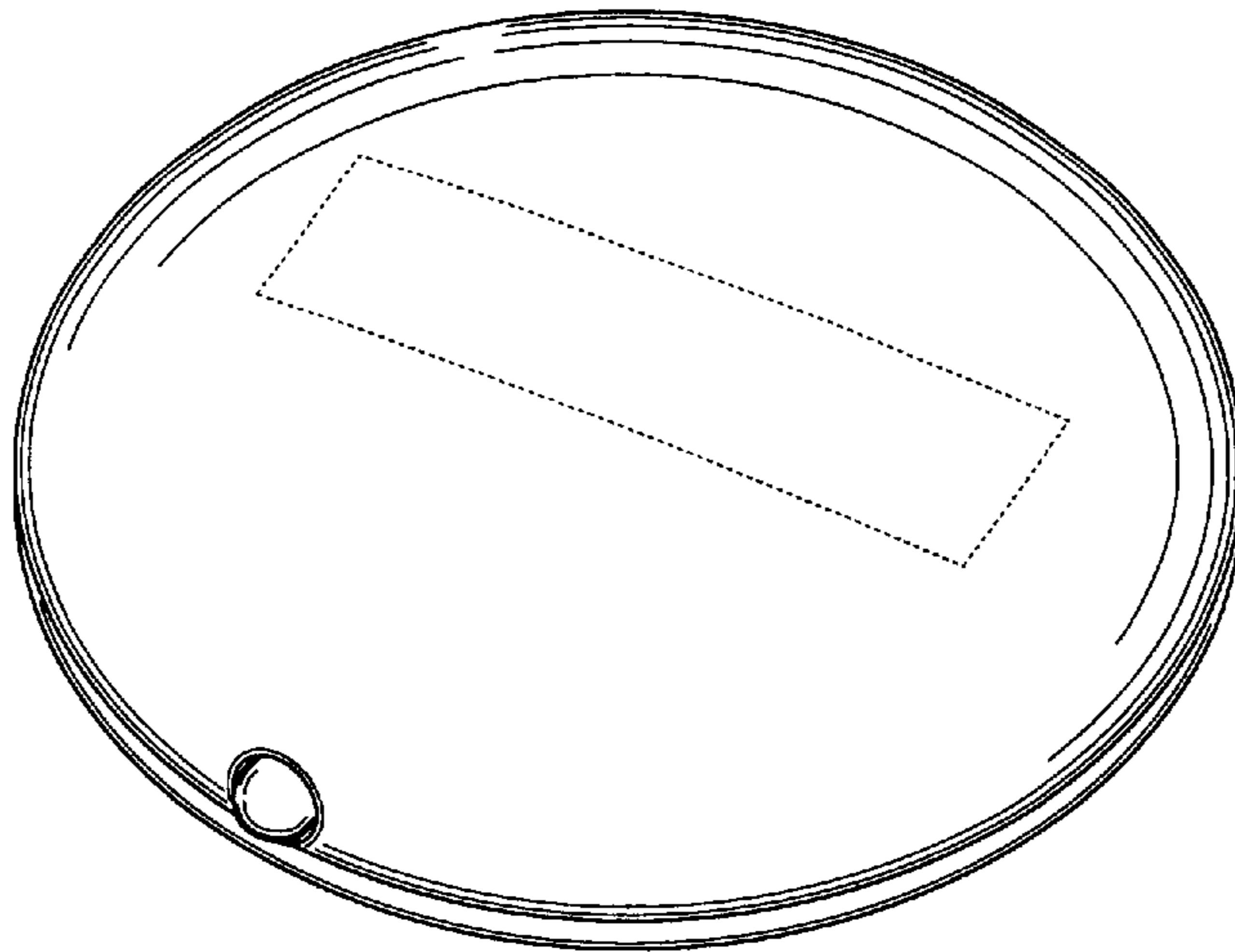


FIG. 2

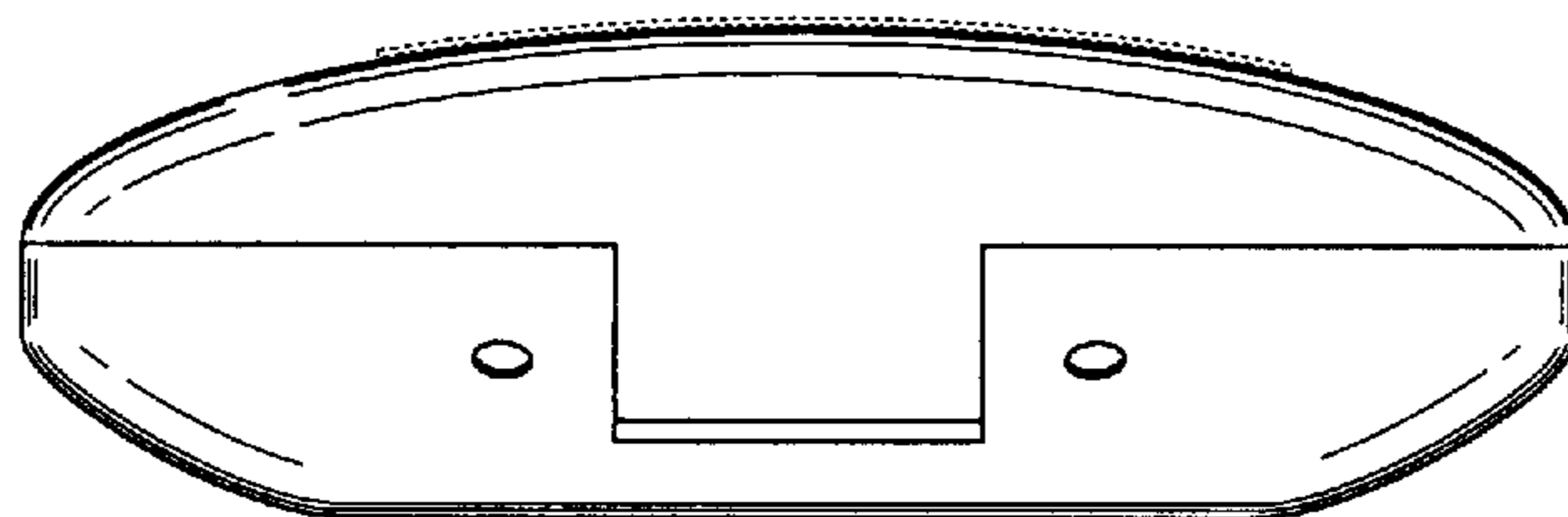
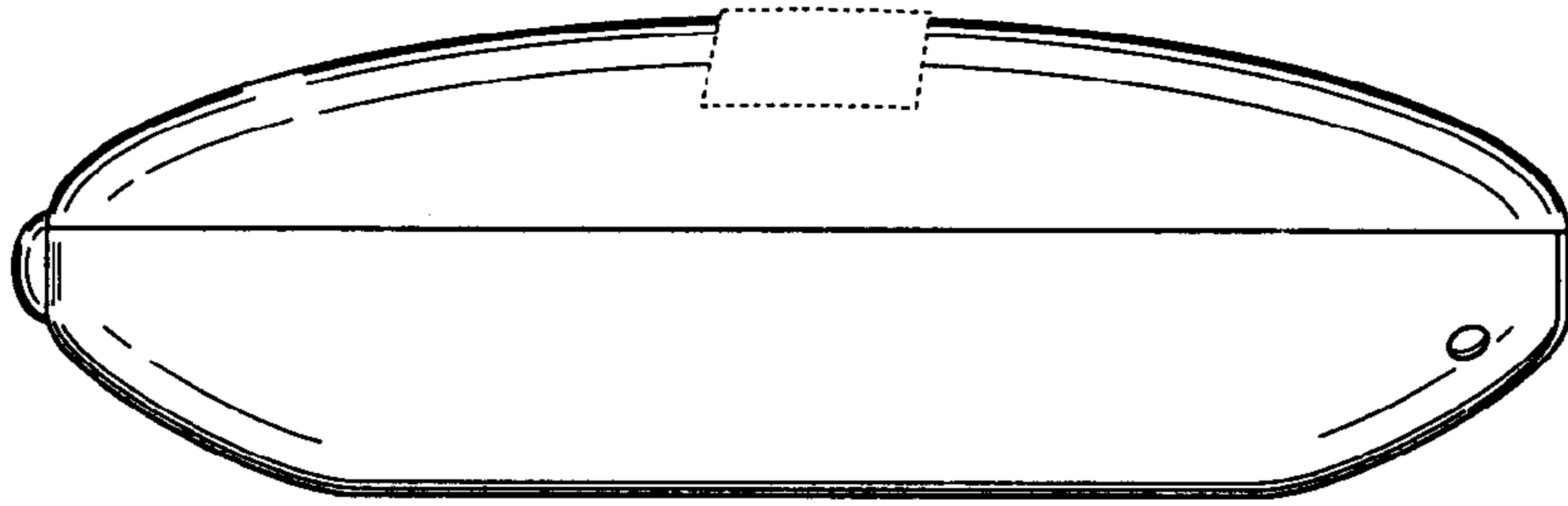
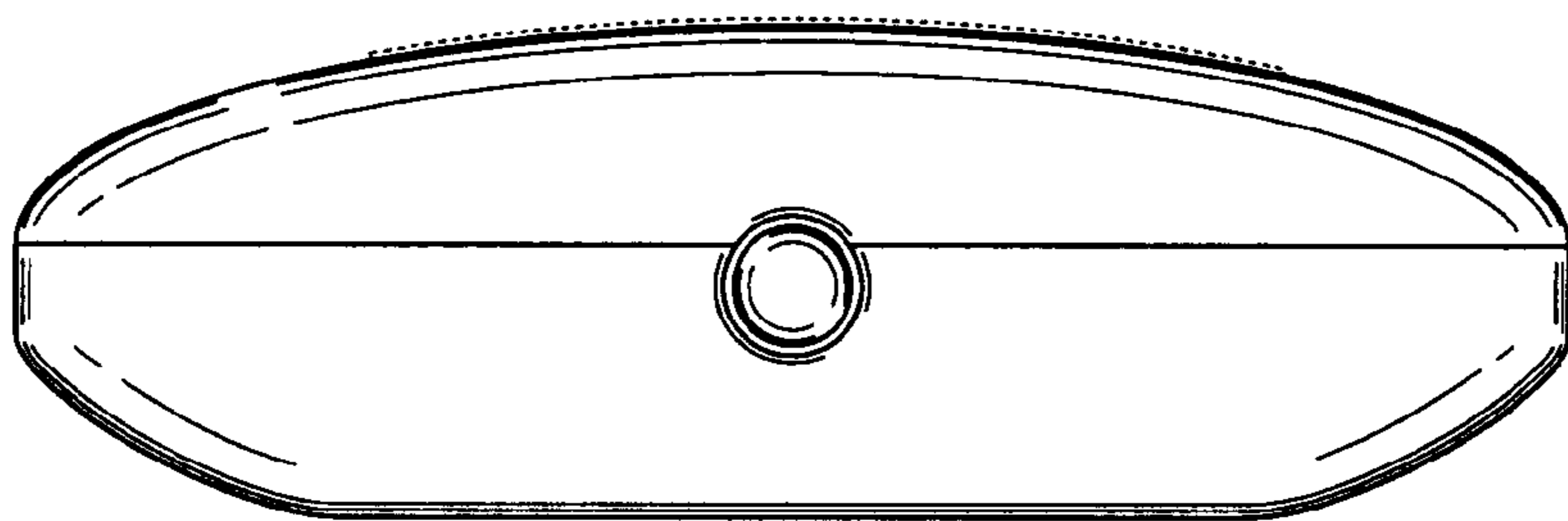


FIG. 3



*FIG. 4*



*FIG. 5*