



US00D443722S

(12) **United States Design Patent**
Freeman et al.

(10) **Patent No.:** **US D443,722 S**

(45) **Date of Patent:** **** Jun. 12, 2001**

(54) **SOAP BAR**

1,618,323	2/1927	Blomstrom .
1,979,411	11/1934	Sands .
2,917,856	12/1959	Soloff .
3,398,219	8/1968	Kelly et al. .
5,869,437	2/1999	Wolfersberger .

(76) Inventors: **Faith Freeman**, 3632 Rebel Cir.,
Huntington Beach, CA (US) 92649;
Leon J. Savoit, IV, 1061 N. Cyrpress,
La Habra, CA (US) 90631

FOREIGN PATENT DOCUMENTS

(**) Term: **14 Years**

39159899	9/1984	(JP) .
7810659	4/1990	(NL) .

(21) Appl. No.: **29/131,604**

OTHER PUBLICATIONS

(22) Filed: **Oct. 25, 2000**

(51) **LOC (7) Cl.** **28-02**

(52) **U.S. Cl.** **D28/8.2**

(58) **Field of Search** D28/8.1, 8.2; D9/307,
D9/315; D11/133-136, 157; D1/106, 112;
510/133, 137-149, 439, 440, 446-449

Hong Kong Enterprise Oct. 1999, p. 668: soaps on lower third of page.*

Primal Elements Winter/Spring 1999 catalog: "Hearts" soap.*

Primal Elements Spring/Summer 2001 Catalog 25 pages.

* cited by examiner

(56) **References Cited**

U.S. PATENT DOCUMENTS

D. 84,807	8/1931	Buschman .	
D. 98,237	* 1/1936	Cohen	D9/315
D. 118,560	1/1940	Imre .	
D. 131,684	3/1942	Feinberg et al. .	
D. 178,200	7/1956	McKenzie et al. .	
D. 252,054	6/1979	Carles .	
D. 259,064	4/1981	Lee .	
D. 277,740	2/1985	Harmeson .	
D. 350,371	9/1994	Rayle .	
D. 366,730	1/1996	Chen .	
D. 412,375	7/1999	Freeman .	
D. 413,692	9/1999	Freeman .	
D. 415,590	10/1999	Freeman .	
D. 416,107	11/1999	Freeman .	
D. 418,941	1/2000	Freeman .	
D. 419,720	1/2000	Freeman .	
D. 430,953	* 9/2000	Freeman	D28/8.2
683,181	9/1901	Mereness .	

Primary Examiner—Ted Shooman

Assistant Examiner—C. Tuttle

(74) *Attorney, Agent, or Firm*—Stetina Brunda Garred & Brucker

(57) **CLAIM**

The ornamental design for a soap bar, as shown and described.

DESCRIPTION

FIG. 1 is a front perspective view of the soap bar showing my new design;

FIG. 2 is a front elevational view thereof;

FIG. 3 is a rear elevational view thereof;

FIG. 4 is a top plan view thereof;

FIG. 5 is a bottom plan view thereof; and,

FIG. 6 is a side elevational view thereof.

1 Claim, 1 Drawing Sheet

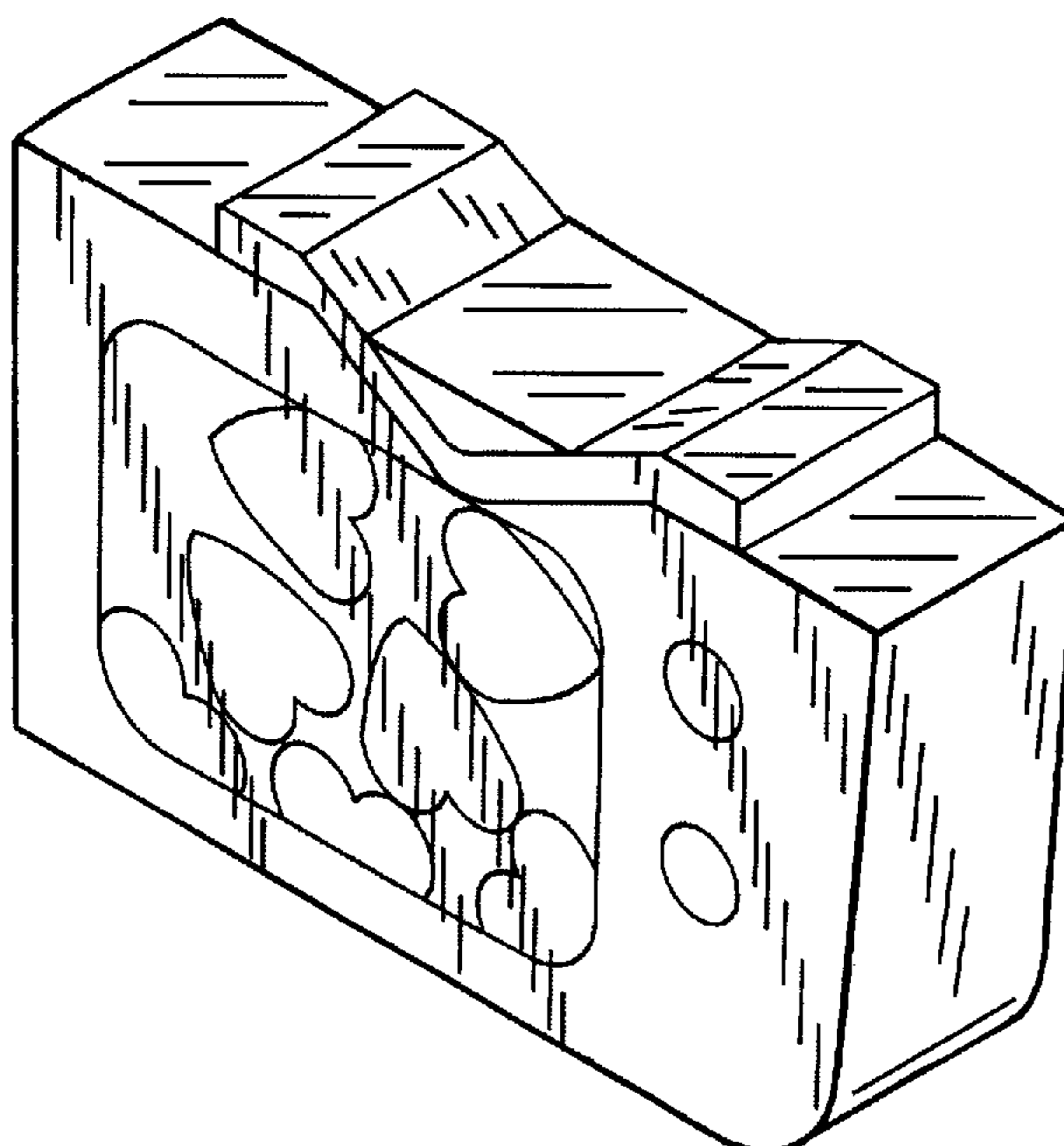


Fig. 1

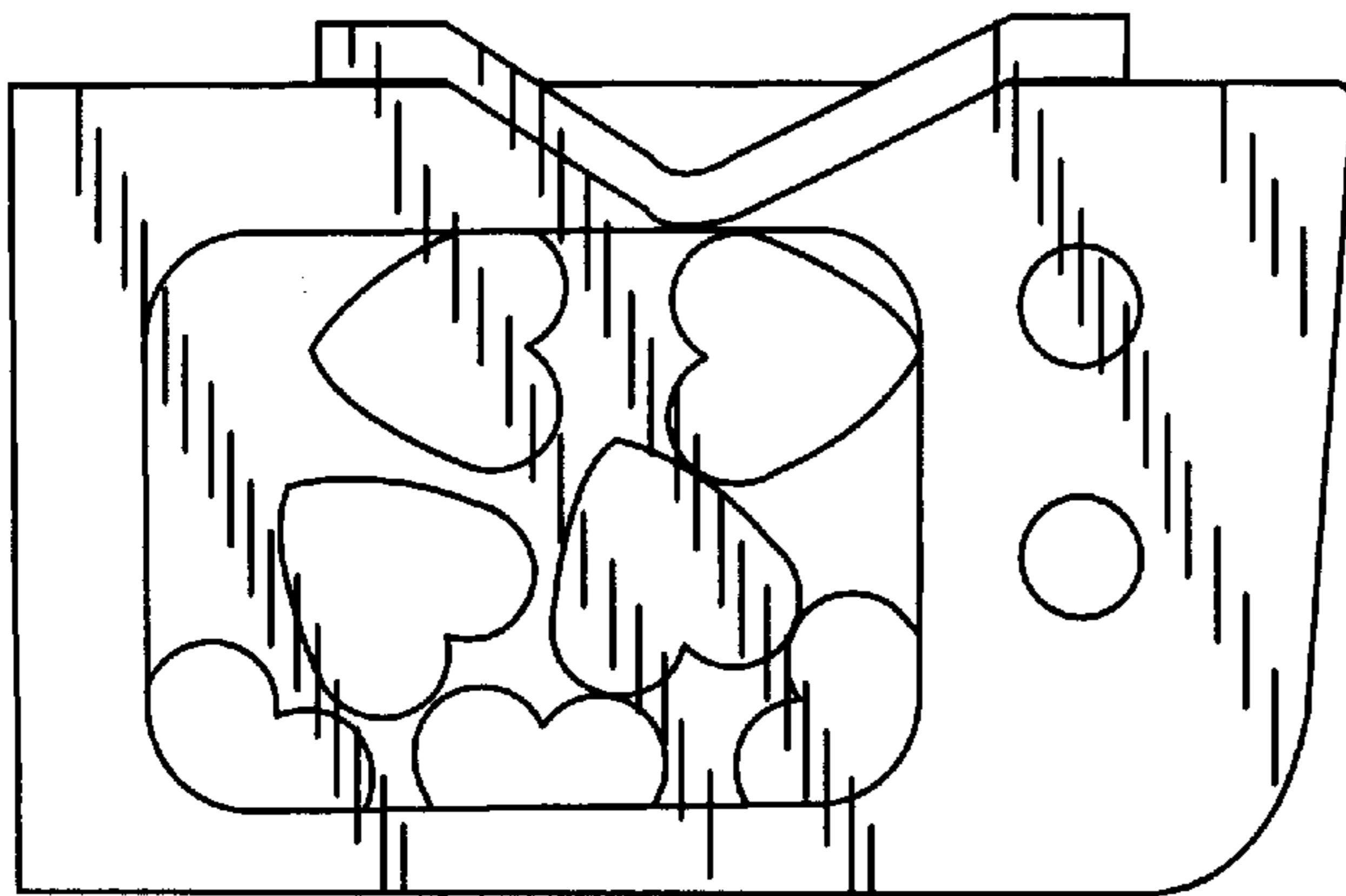
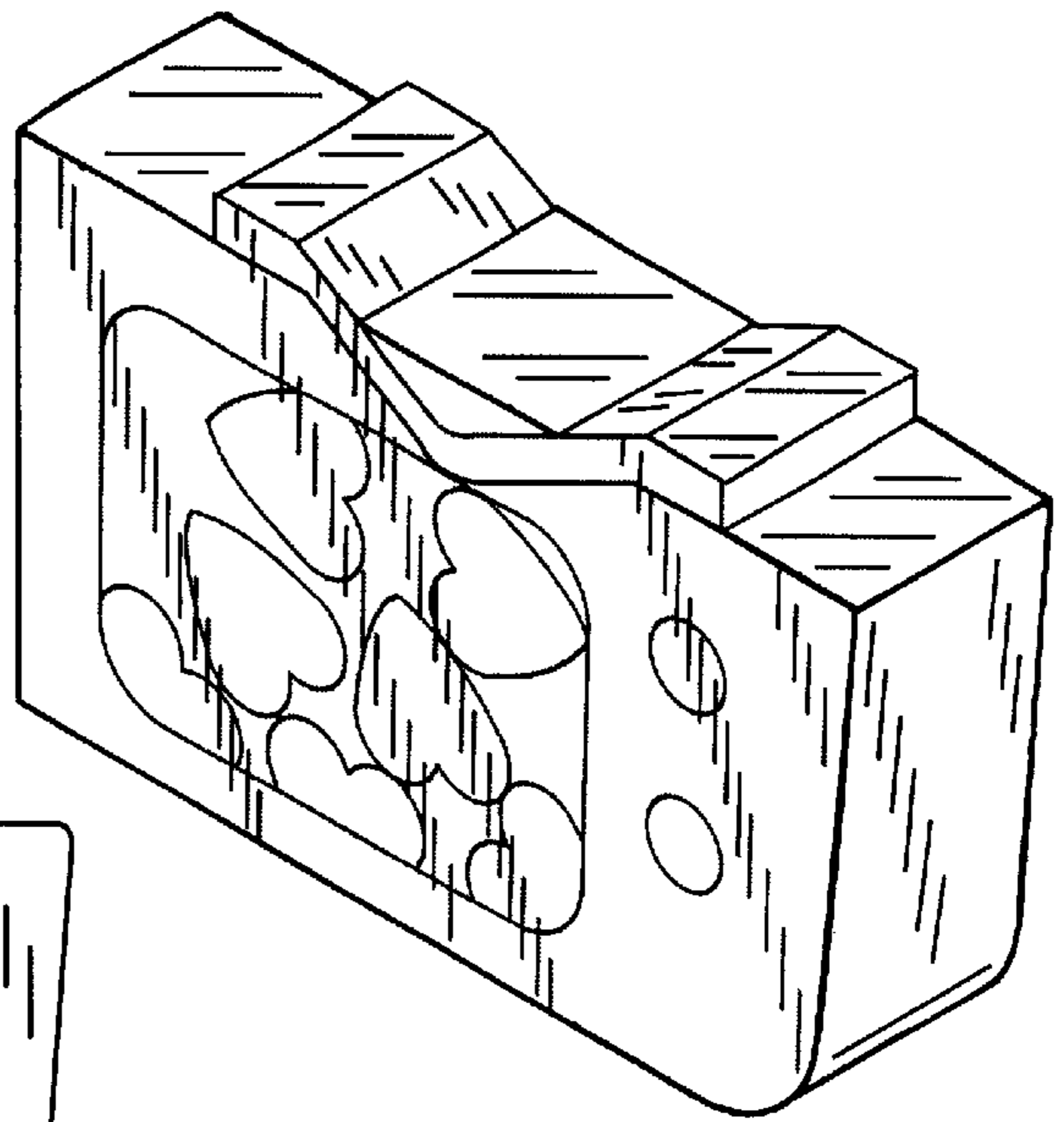


Fig. 2

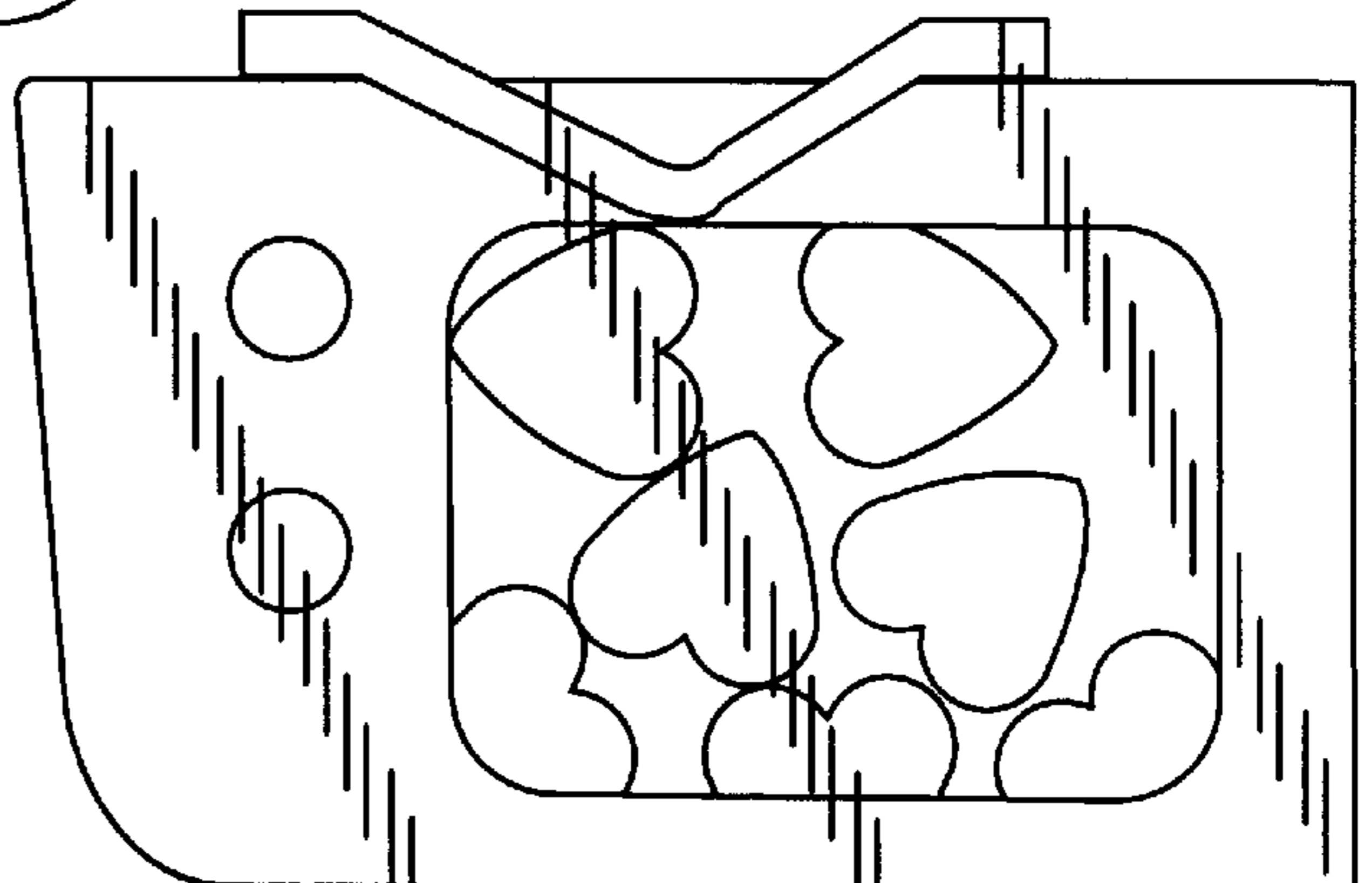


Fig. 3

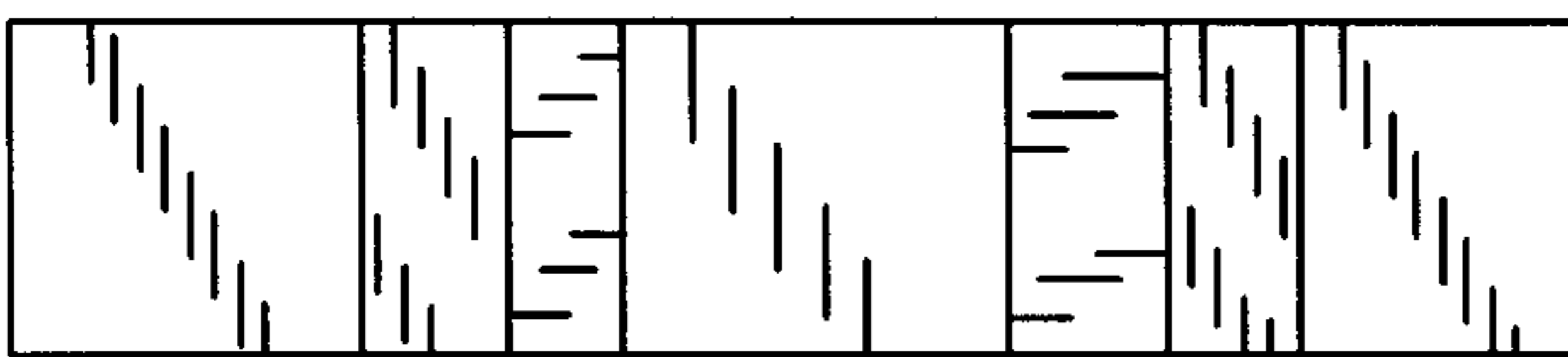


Fig. 4

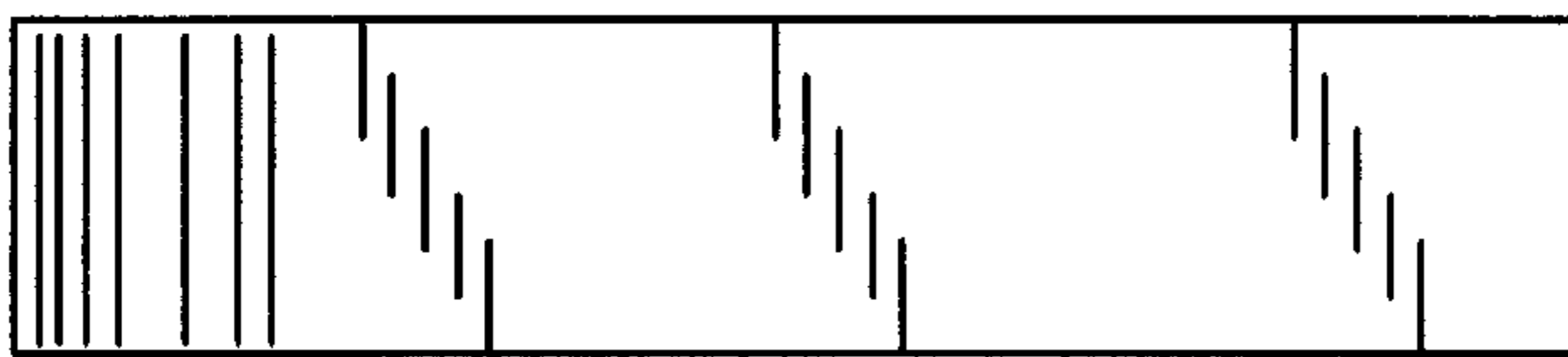


Fig. 5

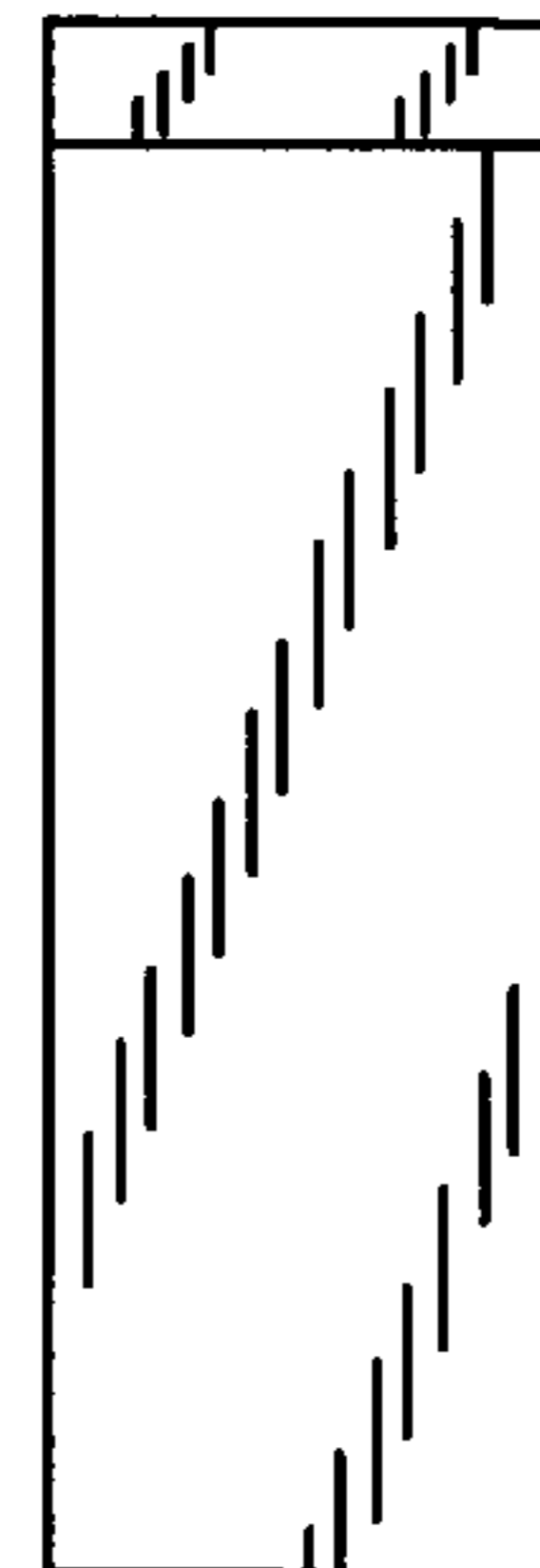


Fig. 6