



US00D443715S

(12) **United States Design Patent**  
**Dolan**

(10) **Patent No.:** **US D443,715 S**

(45) **Date of Patent:** **\*\* Jun. 12, 2001**

(54) **CHANDELIER**

(76) Inventor: **Patrick S. Dolan**, 1901 NW. Upshur,  
Portland, OR (US) 97209

(\*\*) Term: **14 Years**

(21) Appl. No.: **29/125,280**

(22) Filed: **Jun. 21, 2000**

(51) **LOC (7) Cl.** ..... **26-03**

(52) **U.S. Cl.** ..... **D26/86**

(58) **Field of Search** ..... D26/72, 80-92,  
D26/142; 362/147, 404-408

(56) **References Cited**

**U.S. PATENT DOCUMENTS**

- D. 429,358 \* 8/2000 Dolan ..... D26/84
- D. 431,311 \* 9/2000 Dolan ..... D26/84

**OTHER PUBLICATIONS**

Arcraft, Champlain, NY Cat. 1999, p. 59, Model AC1280.

\* cited by examiner

*Primary Examiner*—Susan J. Lucas

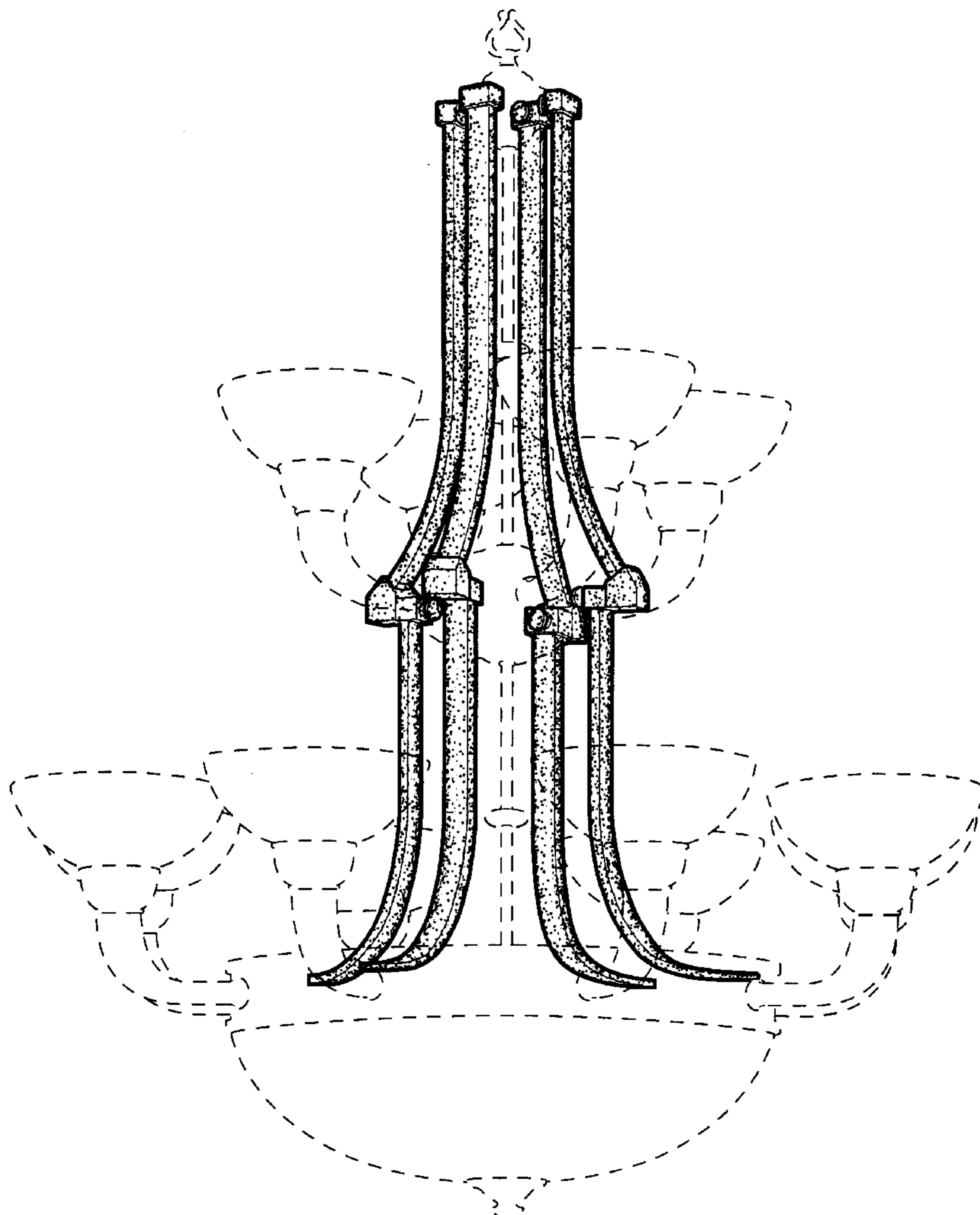
(57) **CLAIM**

The ornamental design for a chandelier, as shown and described.

**DESCRIPTION**

FIG. 1 is a perspective view thereof;  
FIG. 2 is a front elevational view thereof, all sides being identical;  
FIG. 3 is a top plan view thereof; and,  
FIG. 4 is a bottom plan view thereof.  
The broken lines shown in the drawing are environmental only and form no part of the claimed design.

**1 Claim, 4 Drawing Sheets**



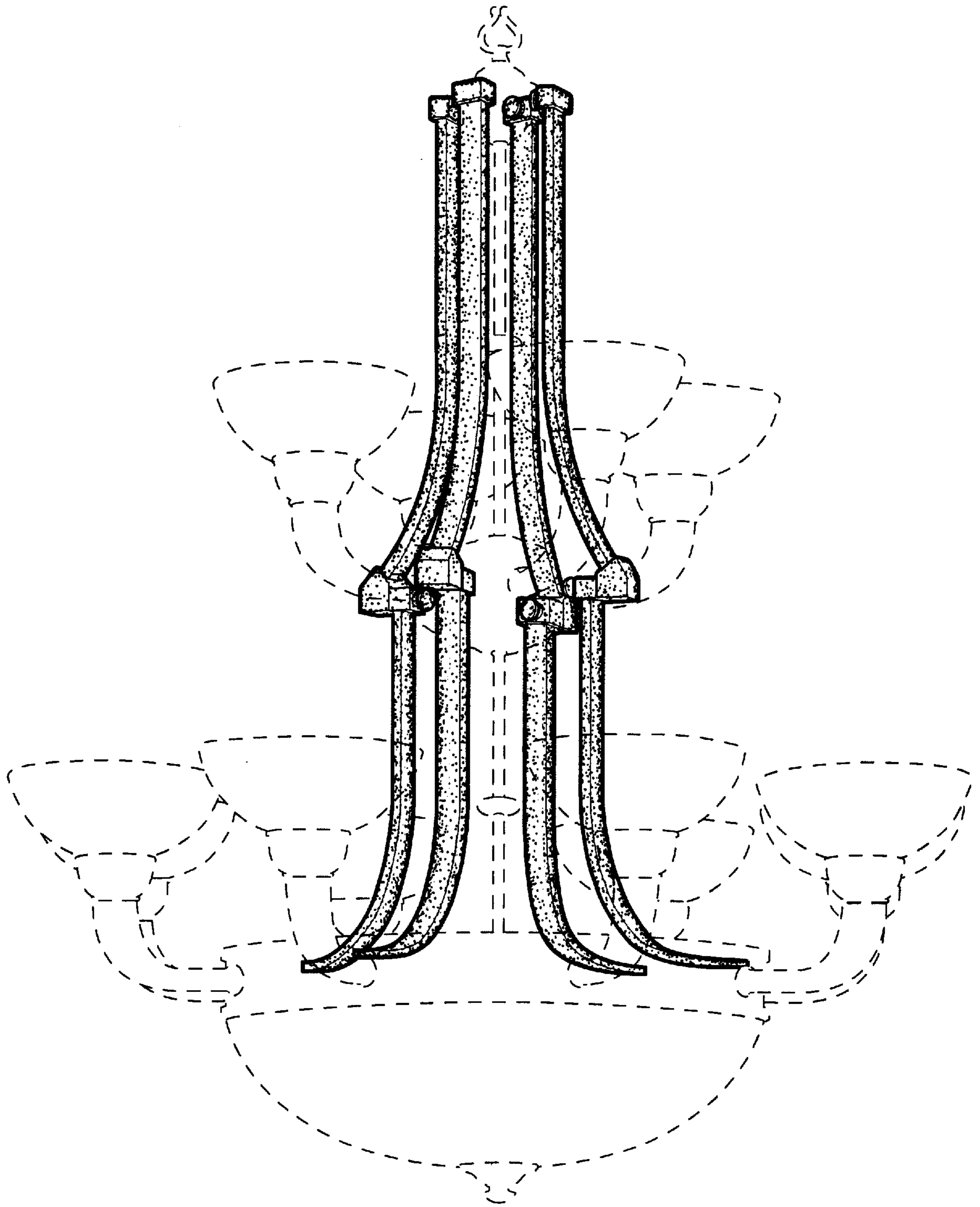


FIG. 1

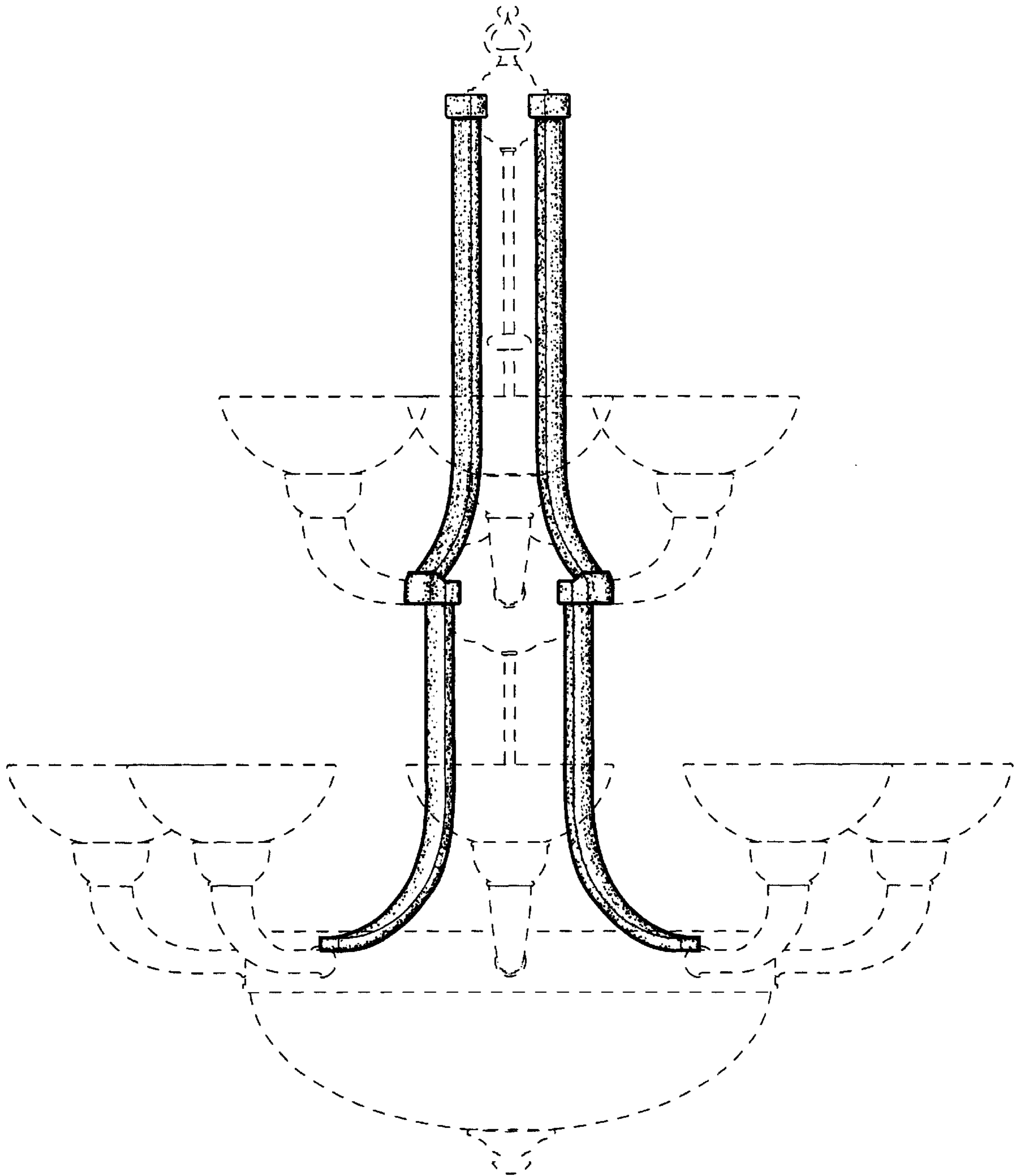


FIG. 2

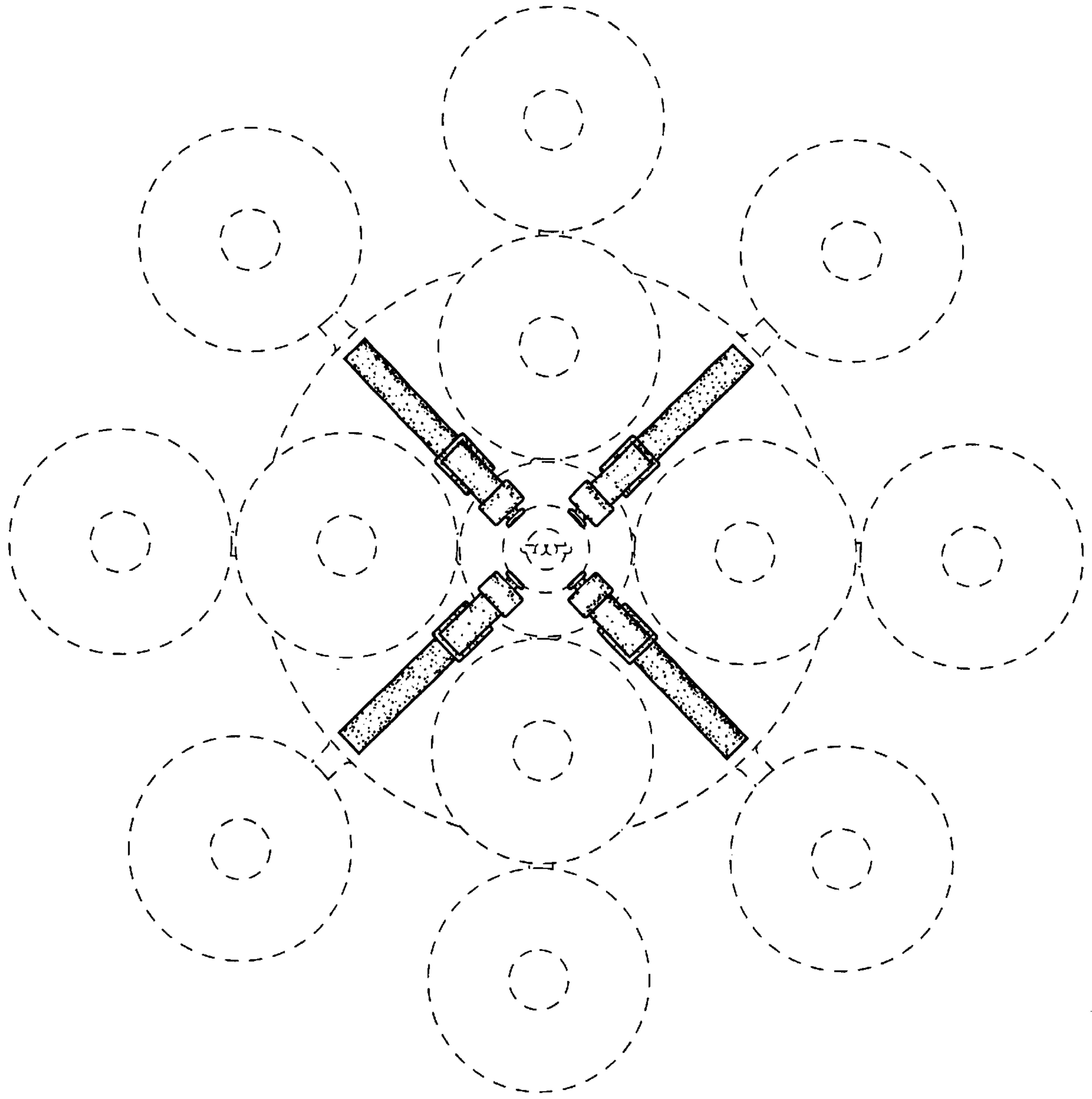


FIG. 3

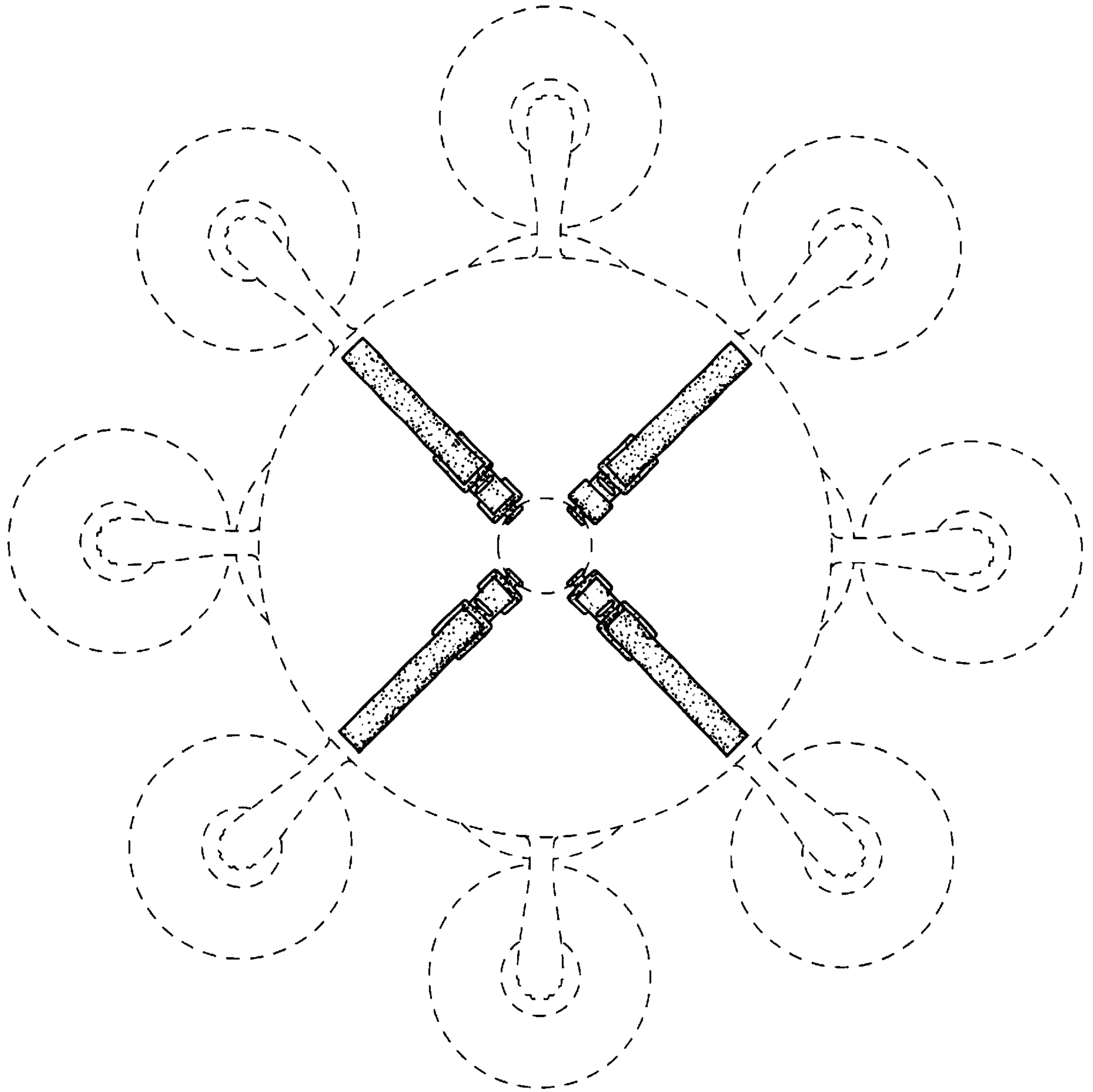


FIG. 4