



US00D443714S

(12) **United States Design Patent**
Pan

(10) **Patent No.:** **US D443,714 S**

(45) **Date of Patent:** **** Jun. 12, 2001**

(54) **CEILING LIGHT**

Sea Gull lighting catalog, 1996, p. 38, ceiling lamp # 124.*

(75) Inventor: **Lian Pan**, Taoyuan Hsien (TW)

* cited by examiner

(73) Assignee: **Evergreen-Lite Enterprises Co., Ltd.**,
Taoyuan Hsien (TW)

Primary Examiner—Susan J. Lucas

(74) *Attorney, Agent, or Firm*—Smith Gambrell & Russell,
LLP

(**) Term: **14 Years**

(57) **CLAIM**

(21) Appl. No.: **29/103,789**

The ornamental design for a “ceiling light”, as shown and described.

(22) Filed: **Apr. 23, 1999**

(51) **LOC (7) Cl.** **26-05**

(52) **U.S. Cl.** **D26/85**

(58) **Field of Search** D26/72, 80-92;
362/147, 404-408

DESCRIPTION

FIG. 1 is a front view of a ceiling light showing my new design;

FIG. 2 is a rear view thereof;

FIG. 3 is a left side view thereof;

FIG. 4 is a right side view thereof;

FIG. 5 is a top view thereof;

FIG. 6 is a bottom view thereof; and,

FIG. 7 is a perspective view thereof.

(56) **References Cited**

PUBLICATIONS

Quoizel lighting catalog, 1997, p. 9, ceiling lamp # HE 1261AG.*

Quoizel lighting catalog, 1997, p. 32, ceiling lamp, # ML 148H.*

1 Claim, 4 Drawing Sheets

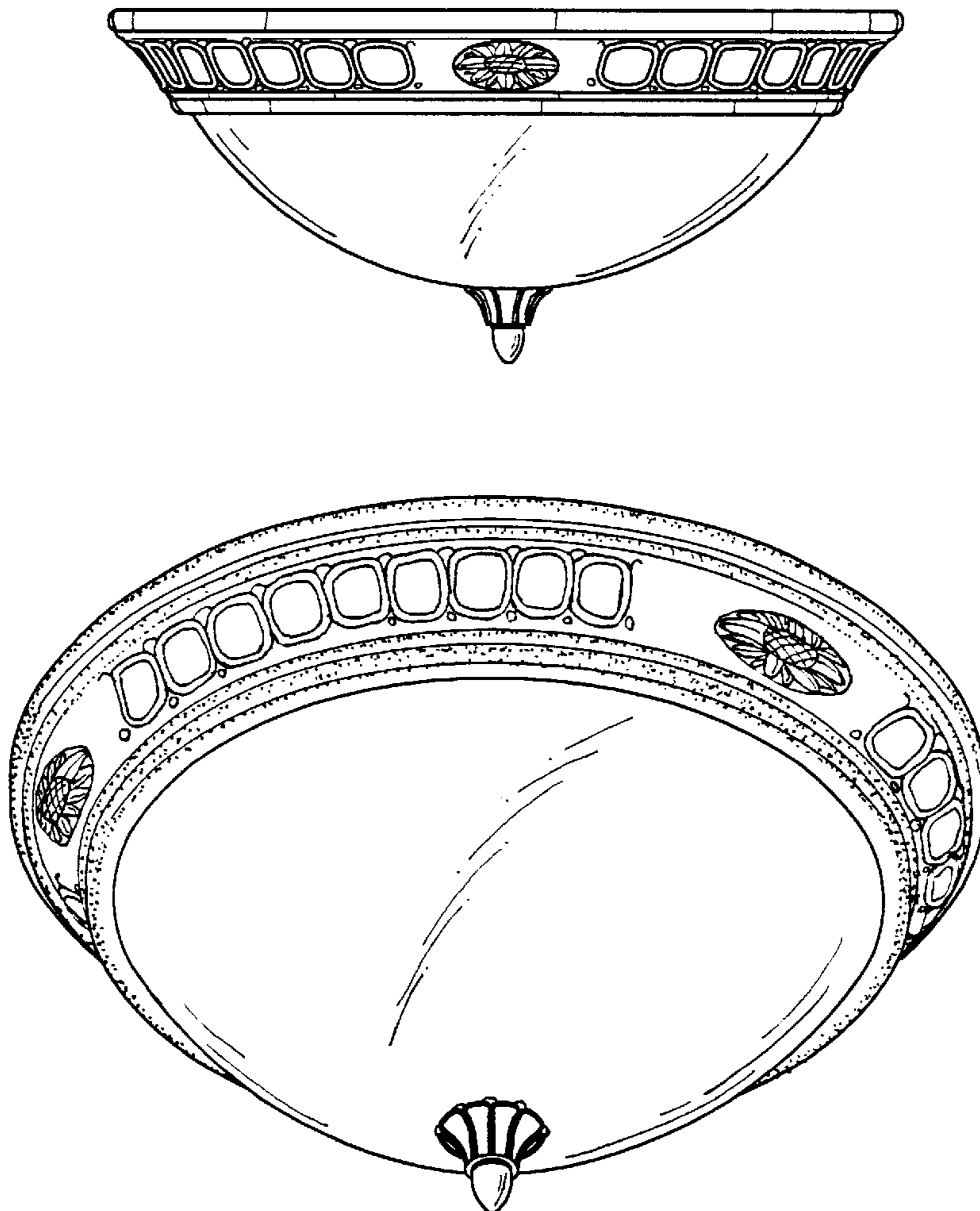


FIG. 2

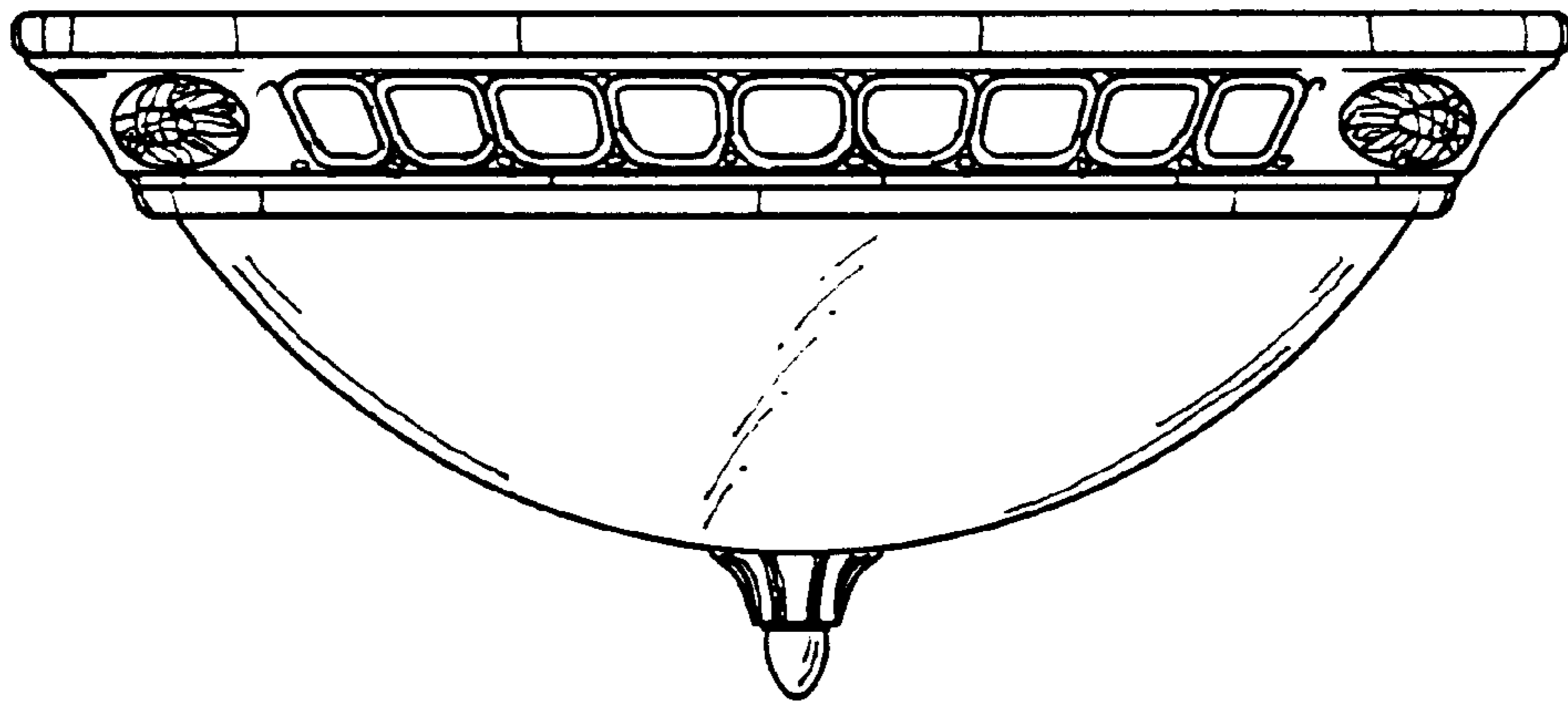


FIG. 1

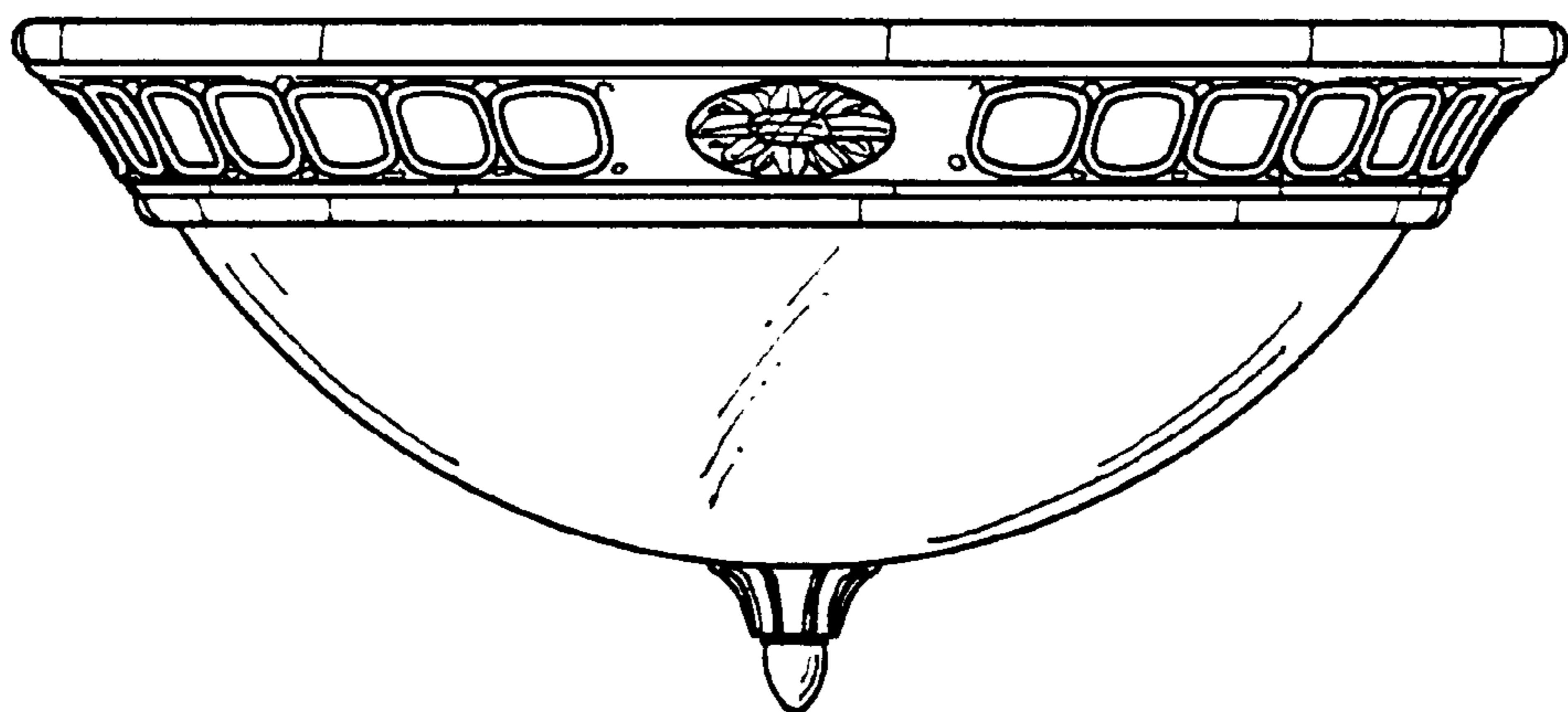


FIG. 3

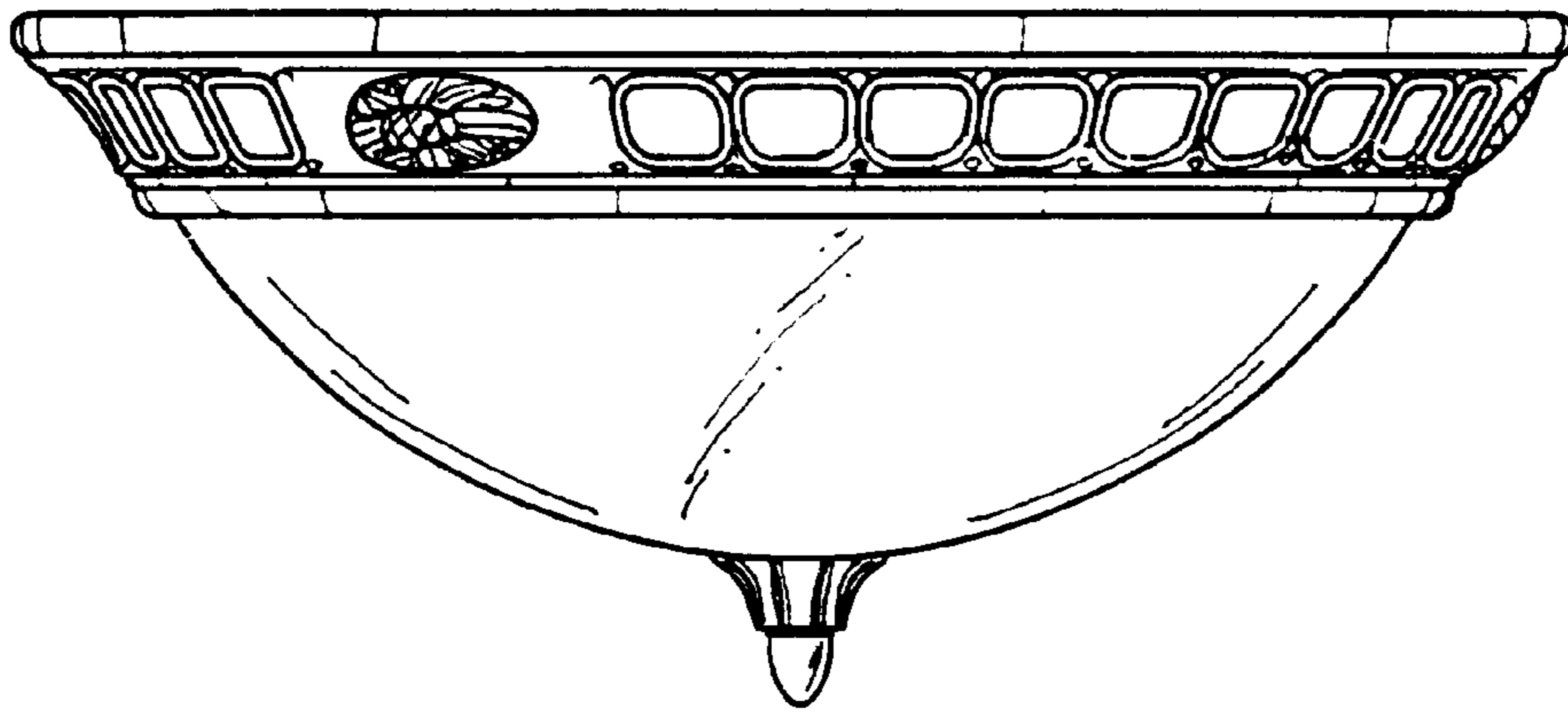
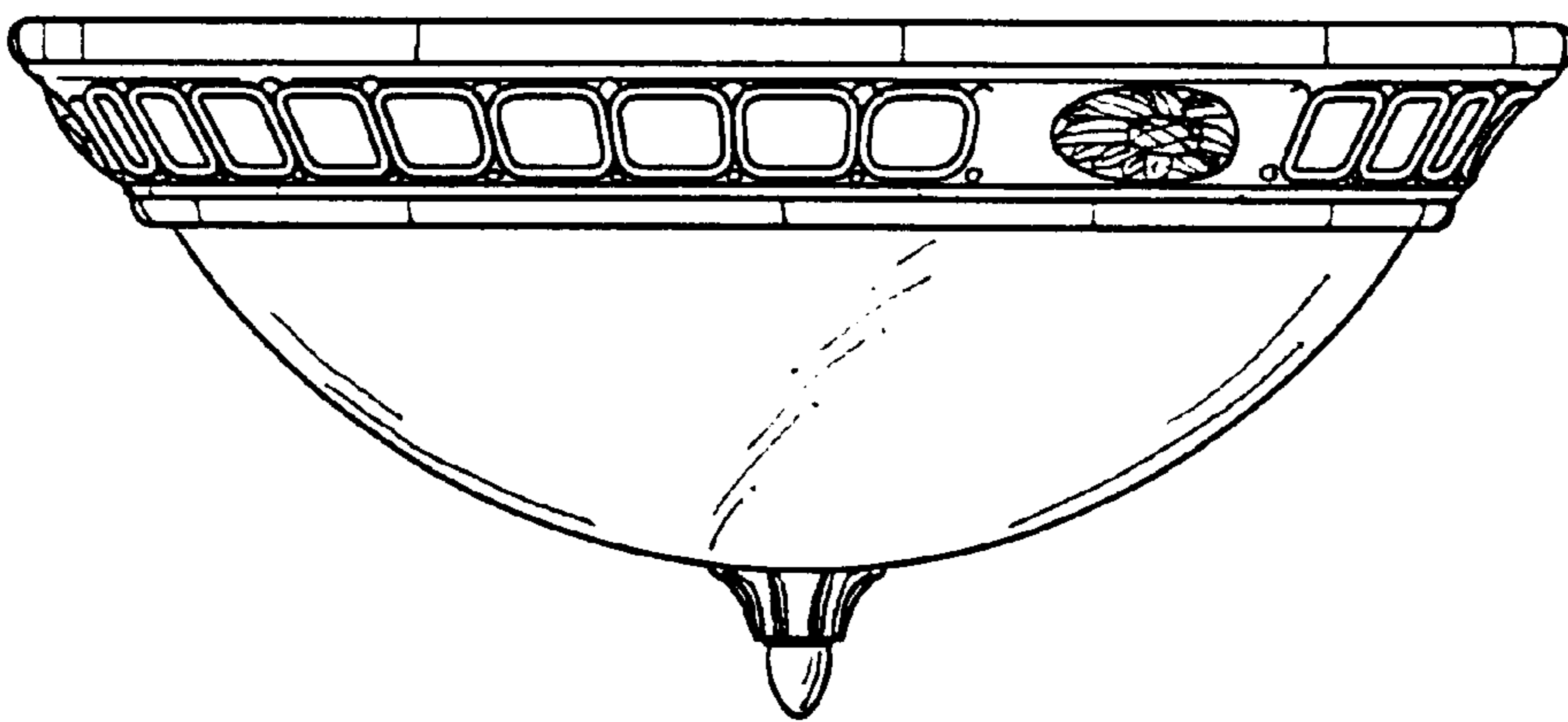


FIG. 4



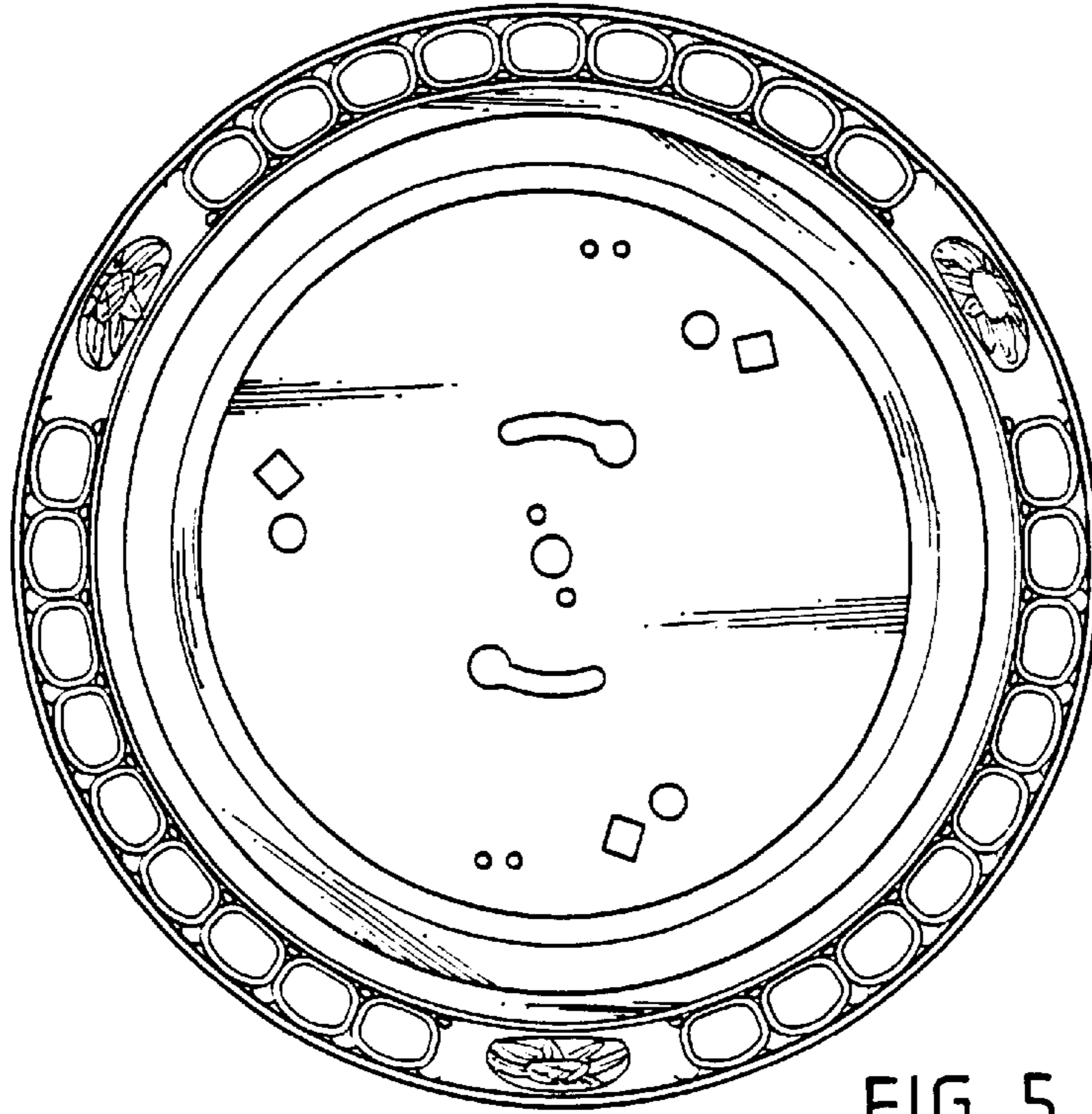


FIG. 5

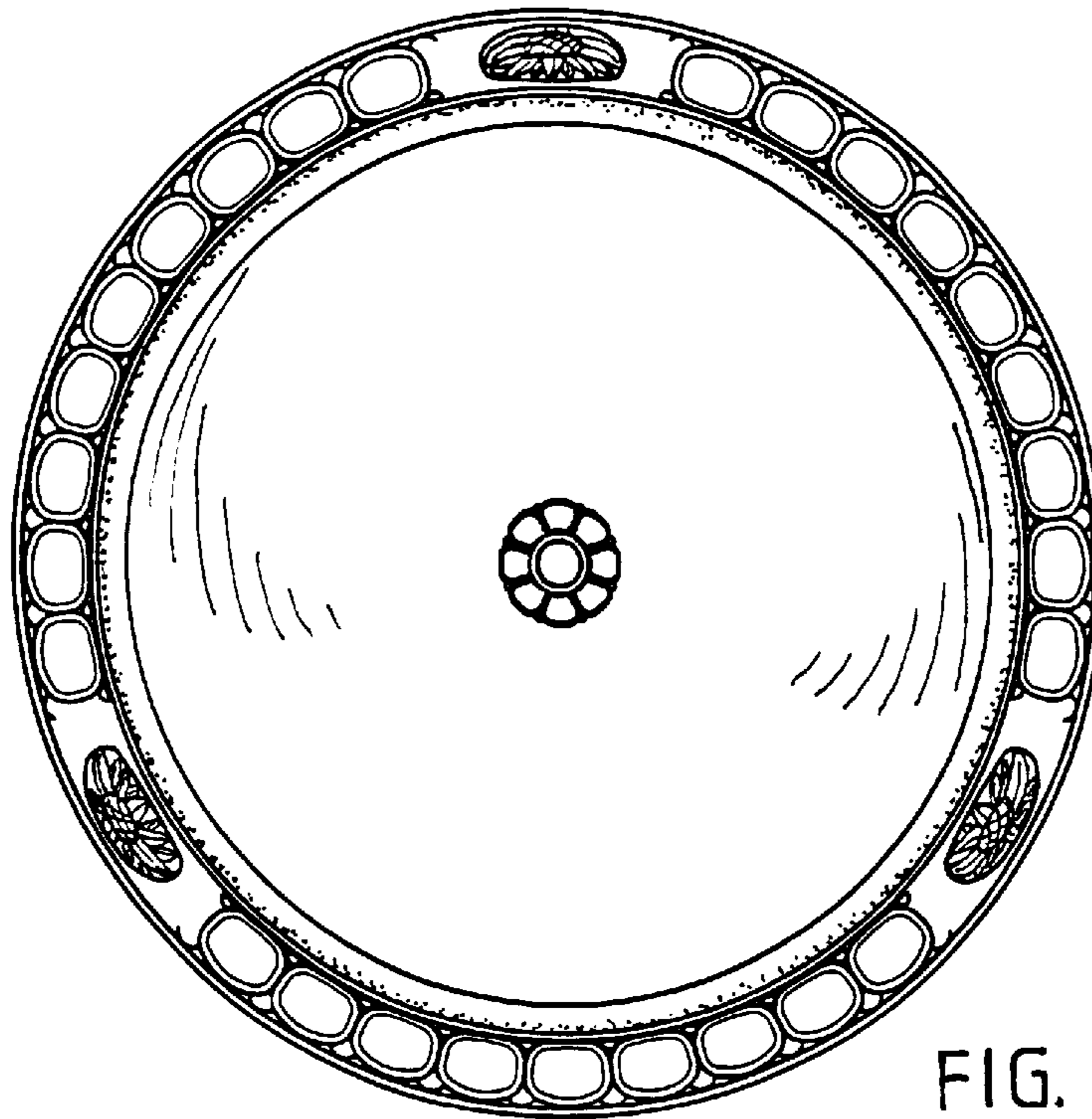


FIG. 6

FIG 7

