



US00D443713S

(12) **United States Design Patent**
Benensohn

(10) **Patent No.:** **US D443,713 S**

(45) **Date of Patent:** **** Jun. 12, 2001**

(54) **UNDER CABINET LIGHTING FIXTURE**

(75) Inventor: **Sanford H. Benensohn**, Valencia, CA (US)

(73) Assignee: **Lusa Lighting, Inc.**, Valencia, CA (US)

(**) Term: **14 Years**

(21) Appl. No.: **29/131,578**

(22) Filed: **Oct. 25, 2000**

(51) **LOC (7) Cl.** **26-05**

(52) **U.S. Cl.** **D26/72**

(58) **Field of Search** D26/72, 80-92,
D26/74; 362/147, 404-408, 432, 363

(56) **References Cited**

U.S. PATENT DOCUMENTS

2,204,687 * 6/1940 Little 362/363
3,974,373 * 8/1976 Zapolsky 362/363

OTHER PUBLICATIONS

Prisma lighting catalog, 1998, p. 33, ceiling/wall lamp.*

* cited by examiner

Primary Examiner—Susan J. Lucas

(74) *Attorney, Agent, or Firm*—Michael A. Painter

(57) **CLAIM**

The ornamental design for an under cabinet lighting fixture, as described and shown.

DESCRIPTION

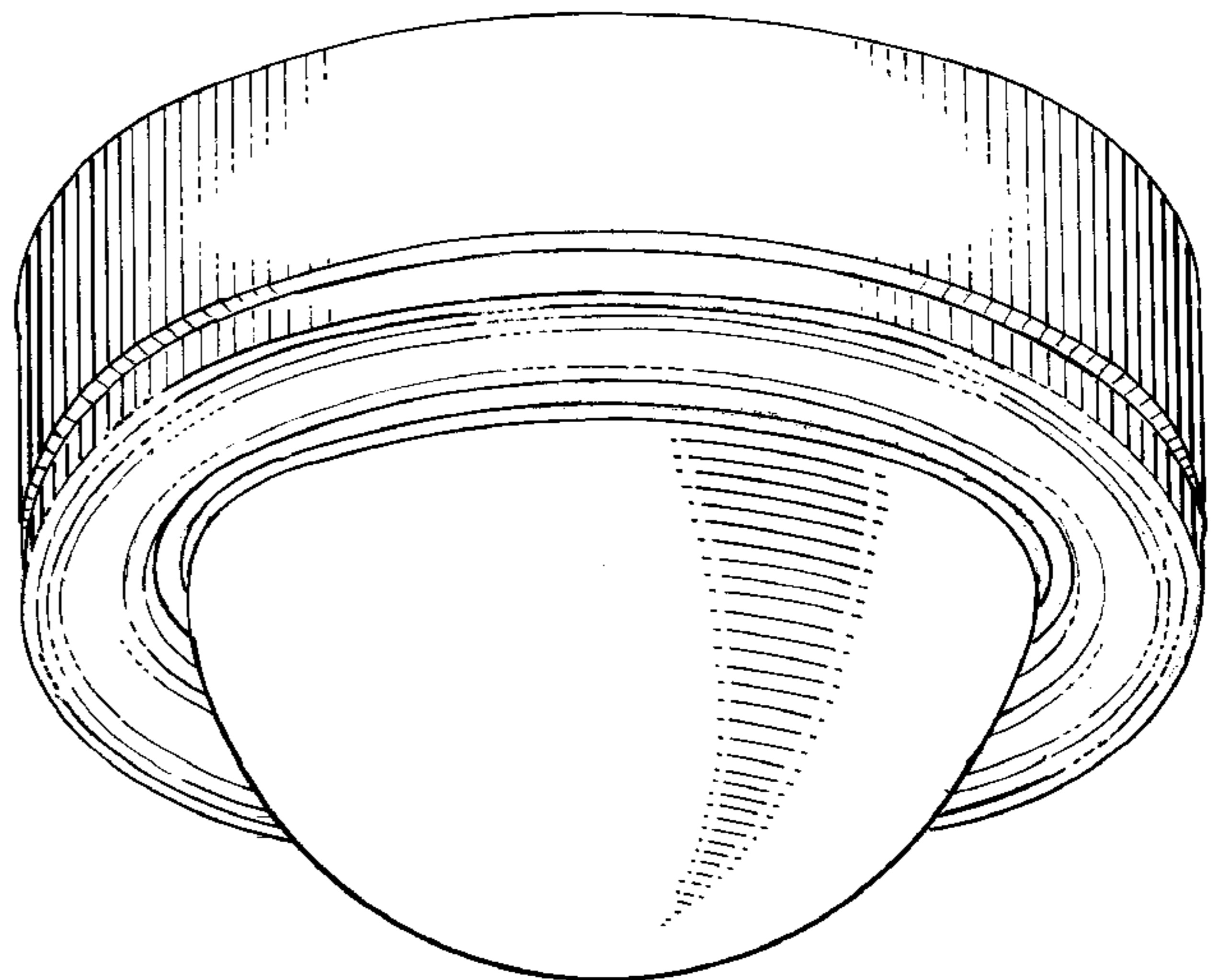
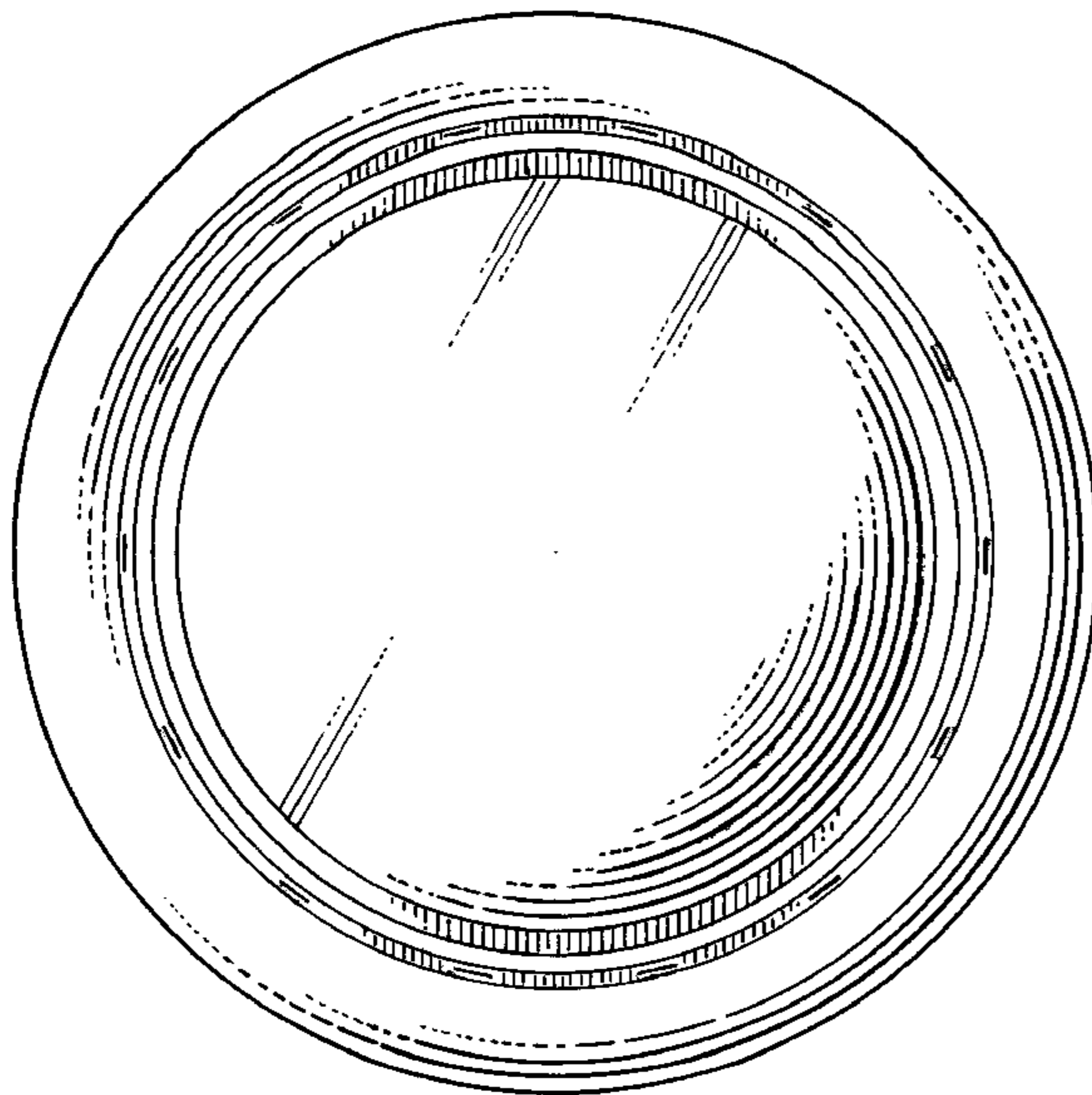
FIG. 1 is a bottom plan view of an under cabinet lighting fixture illustrating my new design;

FIG. 2 is side elevation view thereof;

FIG. 3 is a top plan view thereof; and,

FIG. 4 is a perspective view thereof.

1 Claim, 3 Drawing Sheets



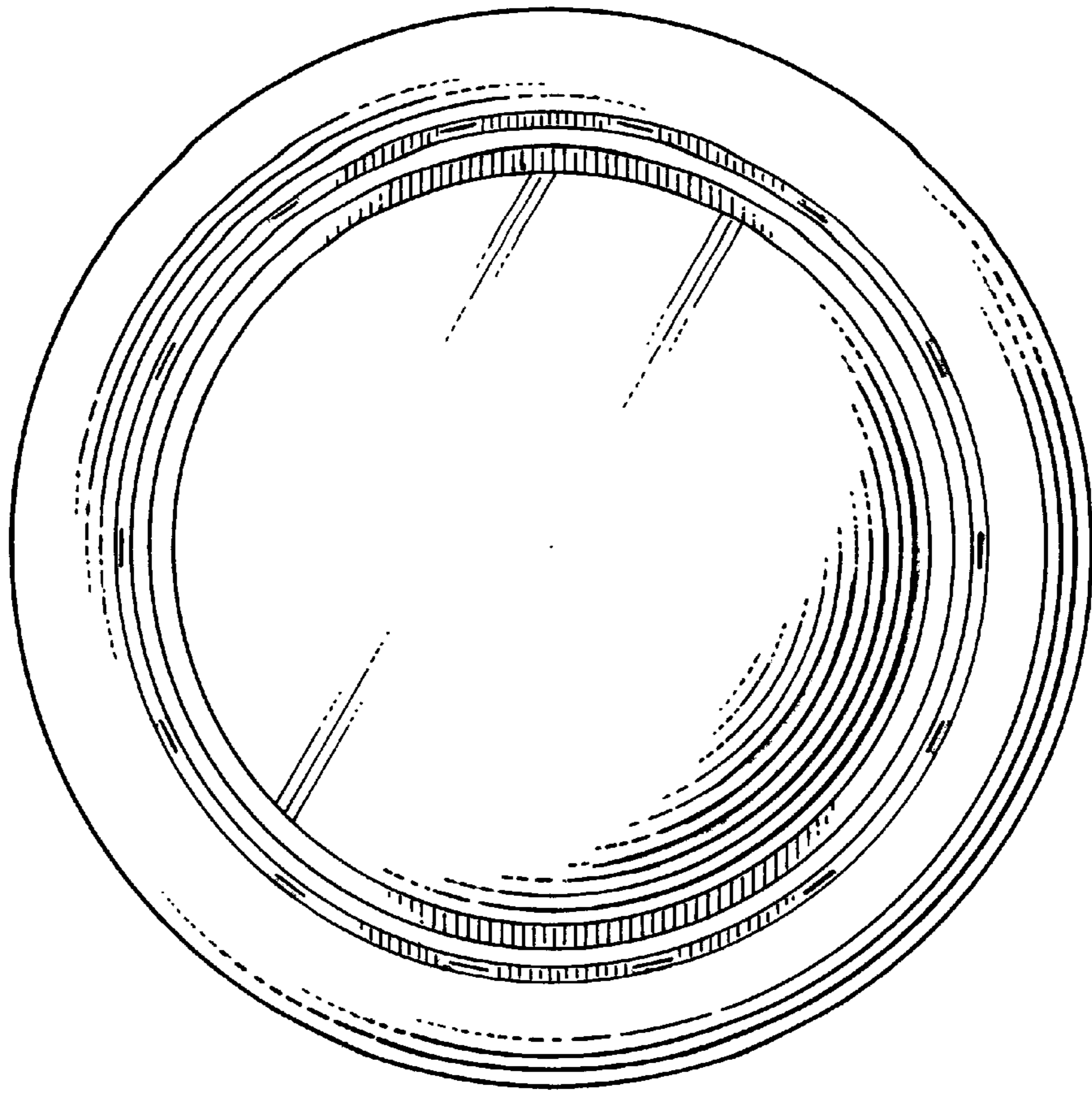


FIG. 1.

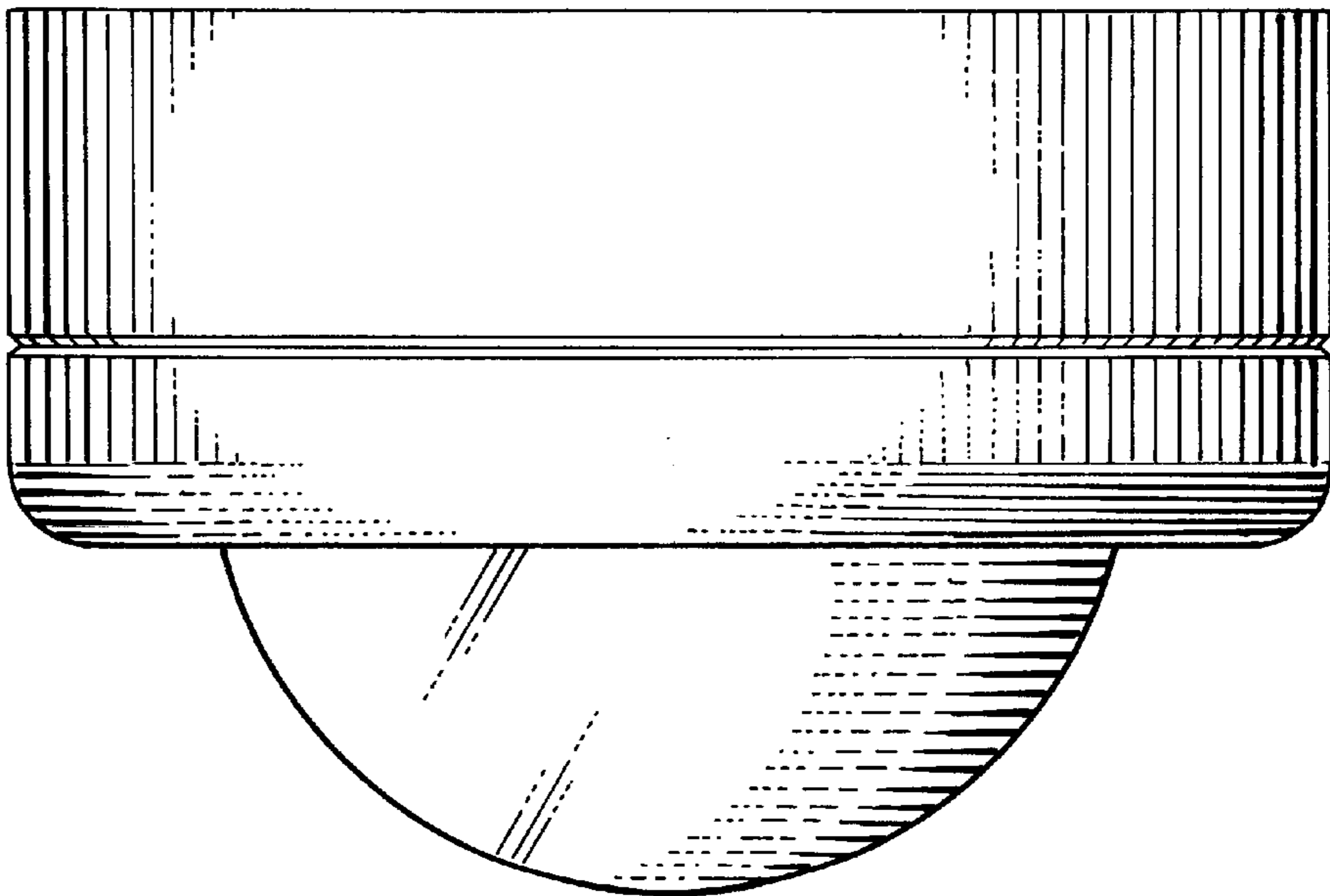


FIG. 2.

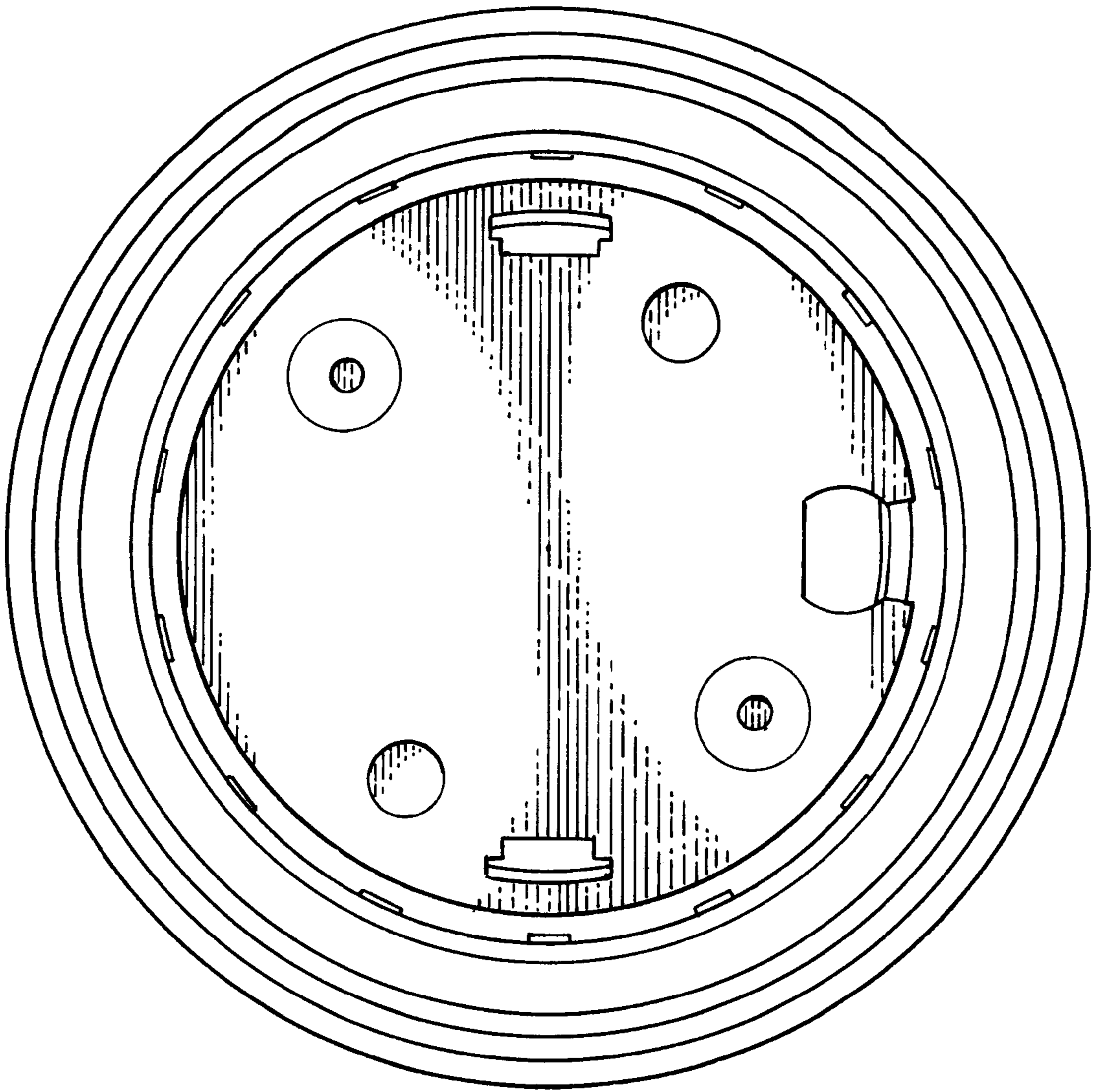


FIG. 3.

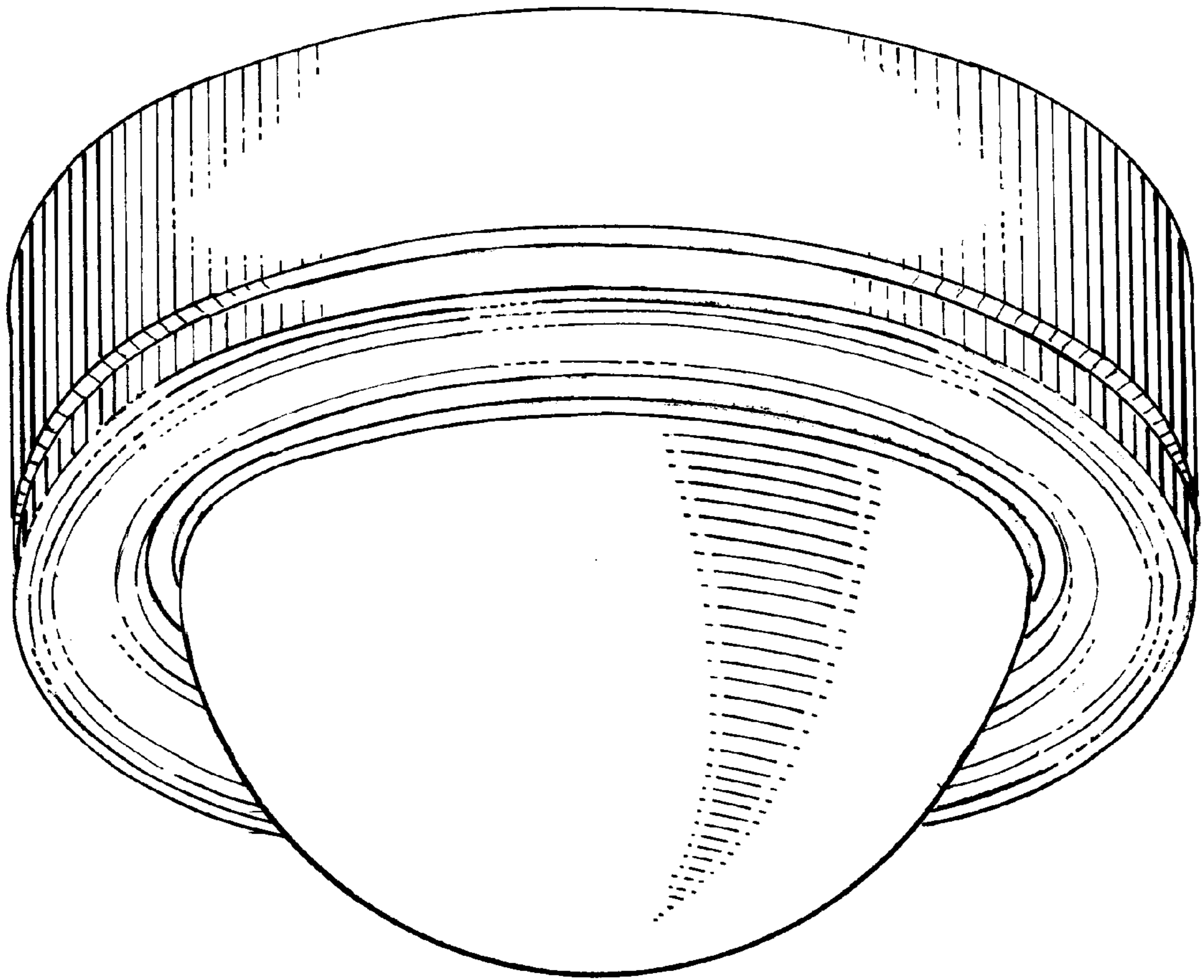


FIG. 4.