



US00D443712S

(12) **United States Design Patent**  
**Minissi et al.**

(10) **Patent No.:** **US D443,712 S**

(45) **Date of Patent:** **\*\* Jun. 12, 2001**

(54) **SUSPENDED LUMINAIRE**

(75) Inventors: **Paolo E. Minissi; Mark P. Boomgaarden**, both of Austin, TX (US)

(73) Assignee: **NSI Enterprises, Inc.**, Newark, OH (US)

(\*\*) Term: **14 Years**

(21) Appl. No.: **29/127,450**

(22) Filed: **Aug. 4, 2000**

**Related U.S. Application Data**

(62) Division of application No. 29/099,702, filed on Jan. 27, 1999, now Pat. No. Des. 435,134.

(51) **LOC (7) Cl.** ..... **26-05**

(52) **U.S. Cl.** ..... **D26/72**

(58) **Field of Search** ..... D26/72, 85-91,  
D26/118; 362/404-408, 147, 307, 310,  
341, 346, 349, 350, 353, 348; D25/117,  
118

(56) **References Cited**

**U.S. PATENT DOCUMENTS**

- D. 139,444 \* 11/1944 Lippincott ..... D26/88
- D. 405,210 \* 2/1999 Elgeston ..... D26/88
- 5,535,110 \* 7/1996 Ling ..... 362/346 X
- 5,993,028 \* 11/1999 Ong ..... 362/310

\* cited by examiner

*Primary Examiner*—Susan J. Lucas

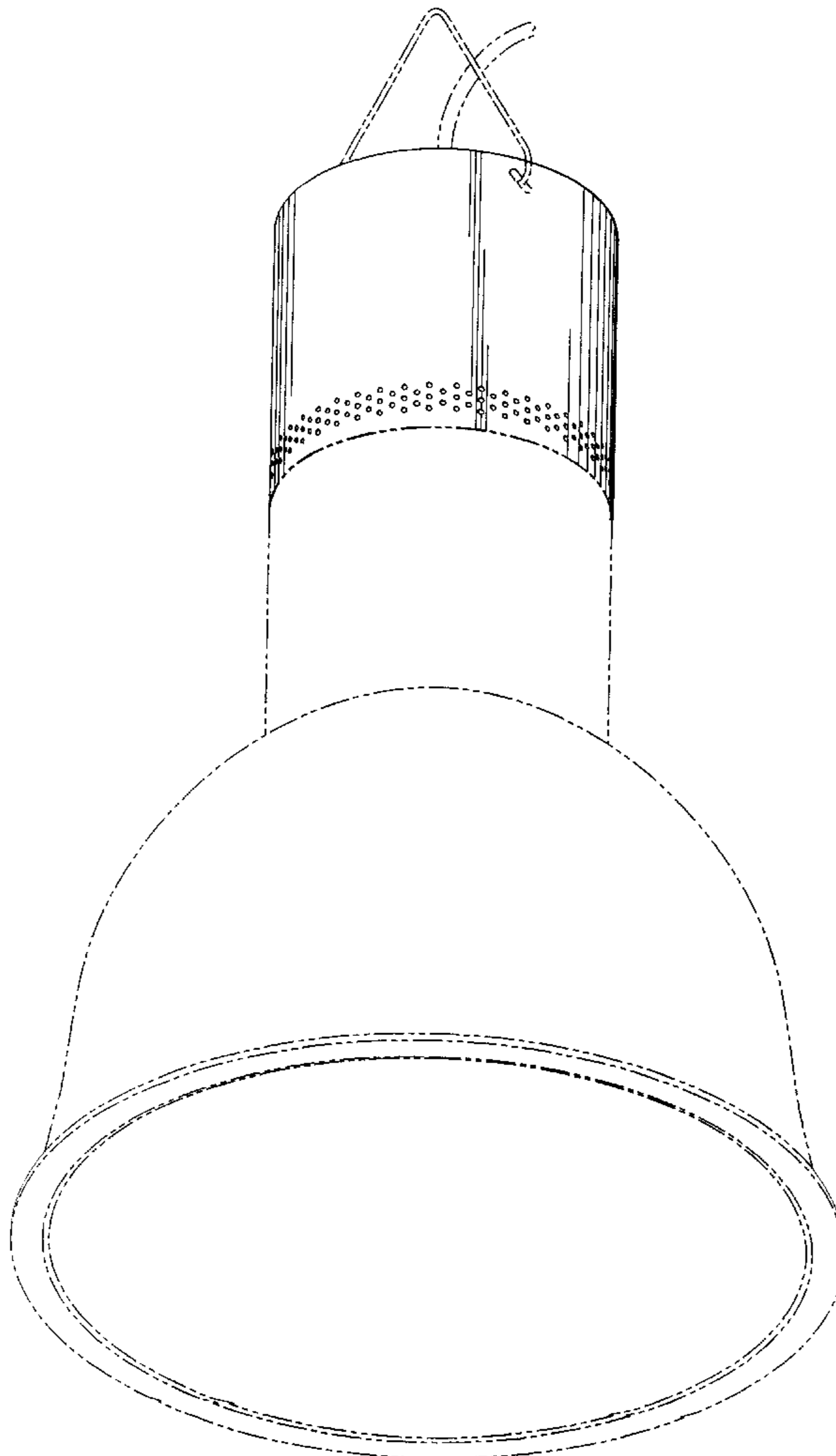
(57) **CLAIM**

The ornamental design for a suspended luminaire, as shown and described.

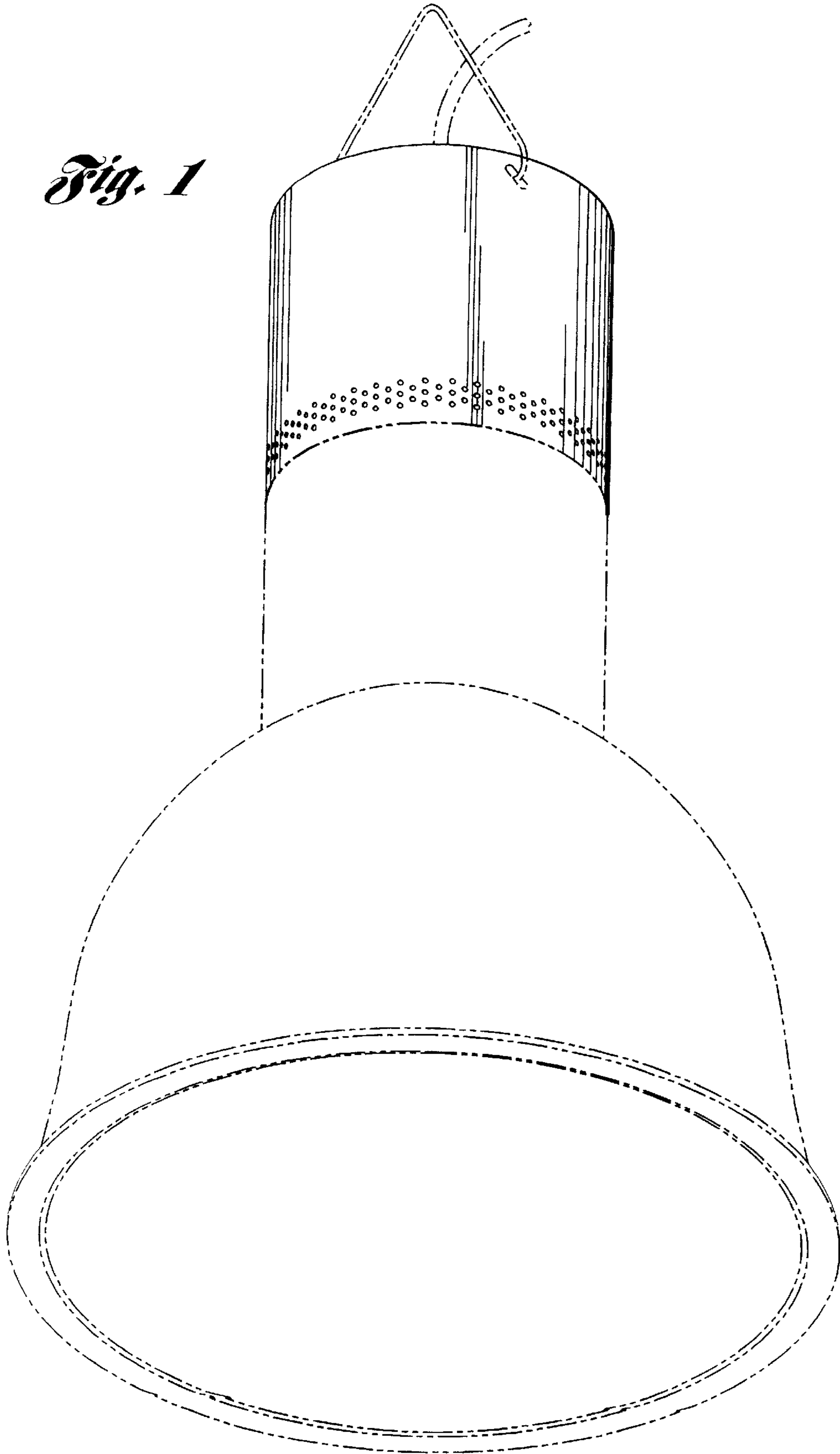
**DESCRIPTION**

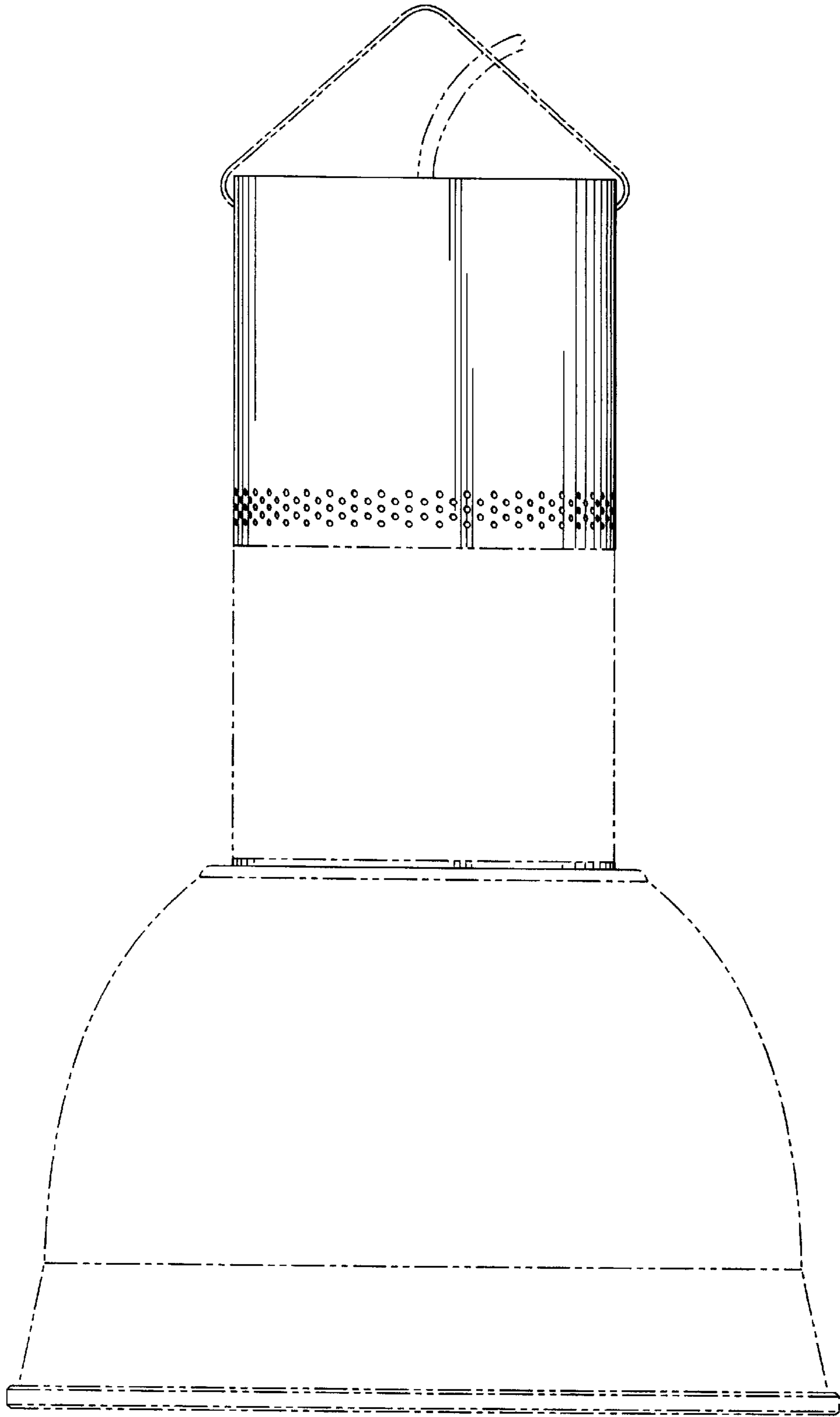
FIG. 1 is a perspective view of the new design;  
FIG. 2 is a side elevational view of the new design;  
FIG. 3 is a top plan view of the new design; and,  
FIG. 4 is a bottom plan view of the of the new design.  
The broken lines are shown for illustrative purposes only and form no part of the claimed design.

**1 Claim, 3 Drawing Sheets**

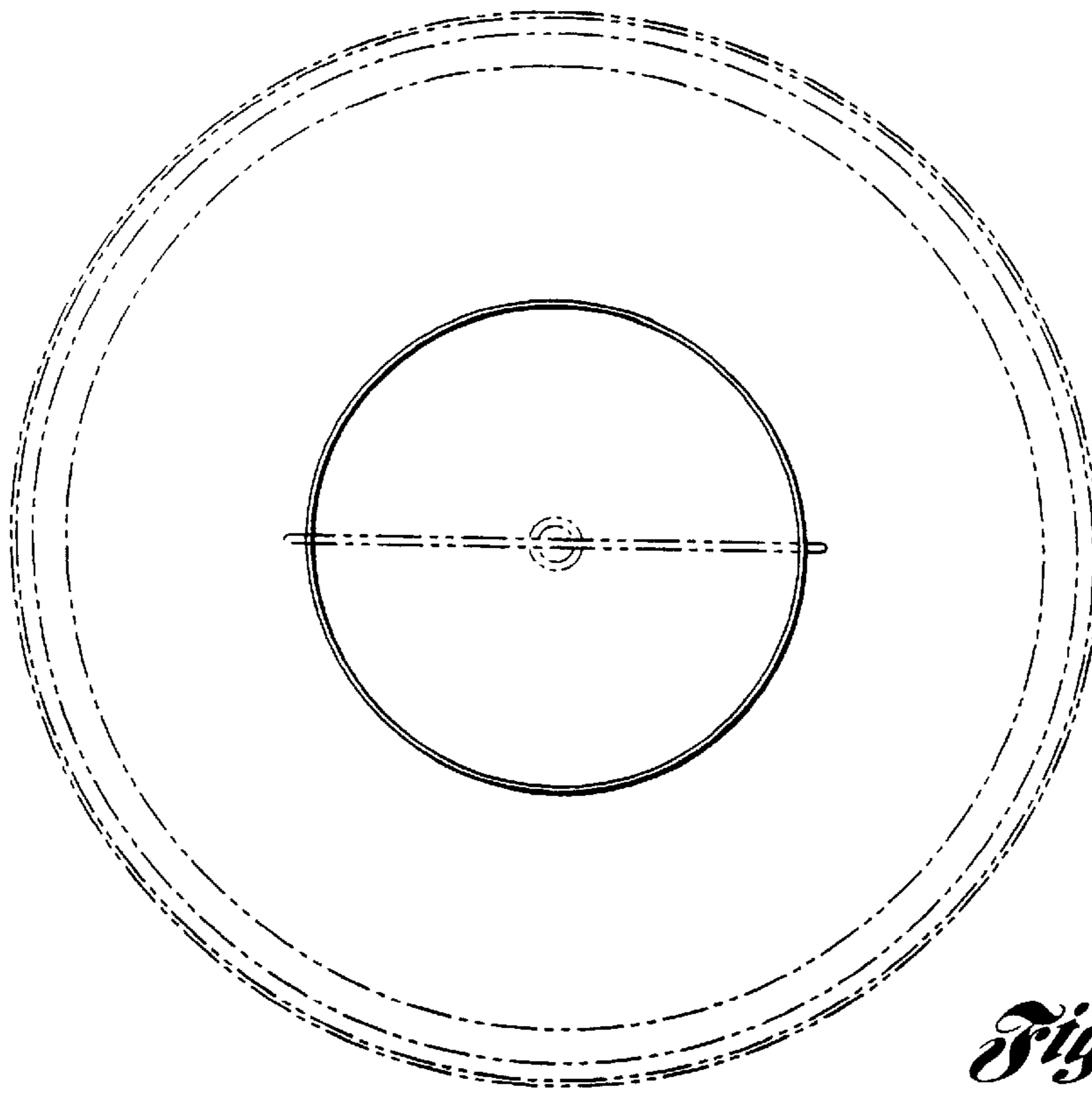


*Fig. 1*

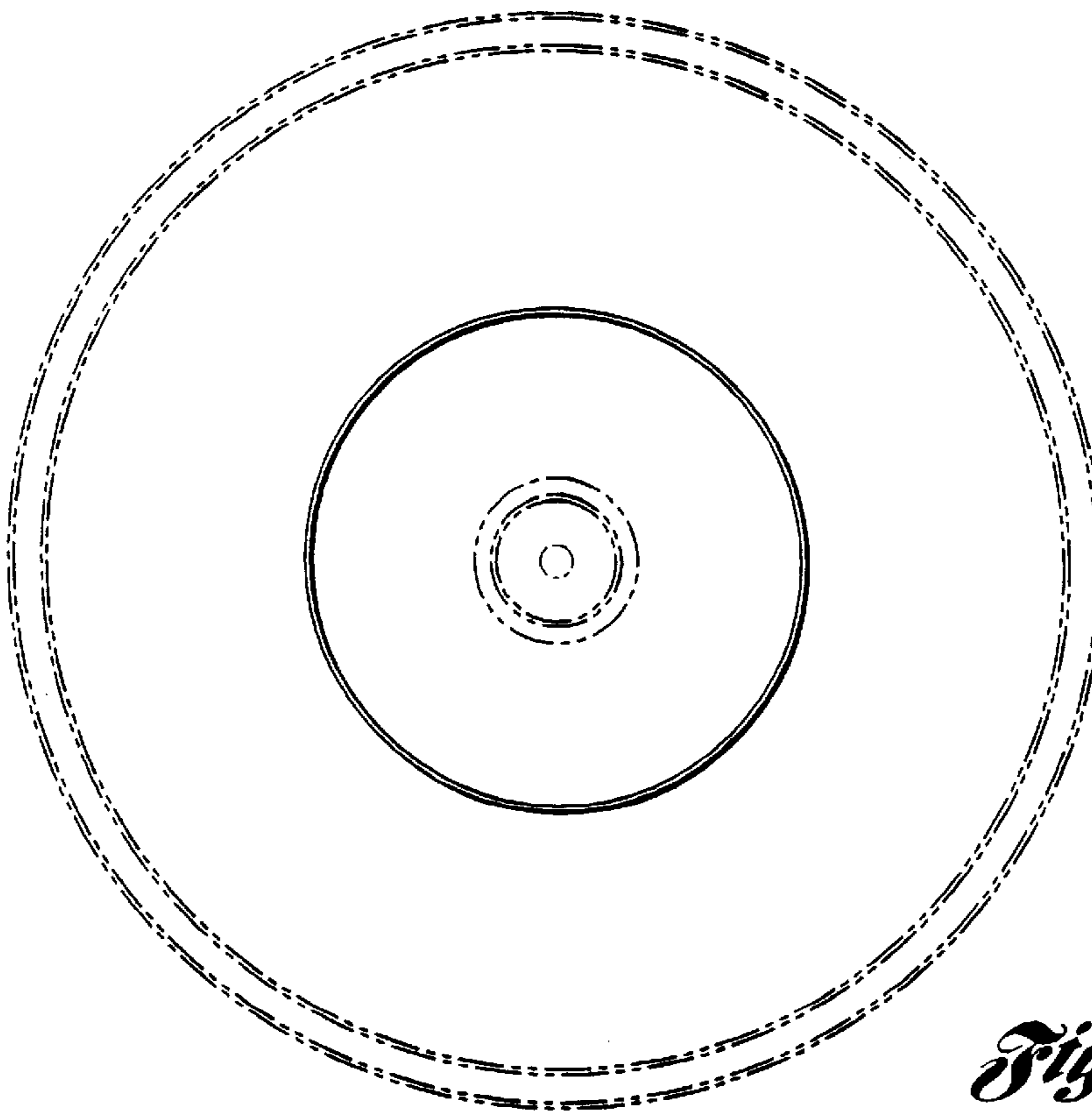




*Fig. 2*



*Fig. 3*



*Fig. 4*