



US00D443710S

(12) **United States Design Patent**
Chiu

(10) **Patent No.:** **US D443,710 S**

(45) **Date of Patent:** **** Jun. 12, 2001**

(54) **PROJECTING LAMP**

(75) Inventor: **Hwa Jung Chiu**, Taipei Hsien (TW)

(73) Assignee: **Davinci Industrial Inc.**, Taipei Hsien (TW)

(**) Term: **14 Years**

(21) Appl. No.: **29/132,380**

(22) Filed: **Nov. 9, 2000**

(51) **LOC (7) Cl.** **26-05**

(52) **U.S. Cl.** **D26/63**

(58) **Field of Search** D26/60-66; 362/269,
362/270, 275, 282, 286, 287, 290, 427,
428, 429, 430

(56) **References Cited**

U.S. PATENT DOCUMENTS

5,140,507 * 8/1992 Harwood 362/275 X
5,398,177 * 3/1995 Harwood 362/286

OTHER PUBLICATIONS

Illuminotecnica lighting magazine, 1997, p. 314, spotlight
Ref 2006.*

Taiwan Lighting magazine, May 1999, p. 295, spotlight, top,
left corner of page.*

* cited by examiner

Primary Examiner—Susan J. Lucas

(74) *Attorney, Agent, or Firm*—Rosenberg, Klein & Lee

(57) **CLAIM**

The ornamental design for a projecting lamp, as shown and
described.

DESCRIPTION

FIG. 1 is the perspective view of a projecting lamp showing
my new design;

FIG. 2 is the front view thereof;

FIG. 3 is the rear view thereof;

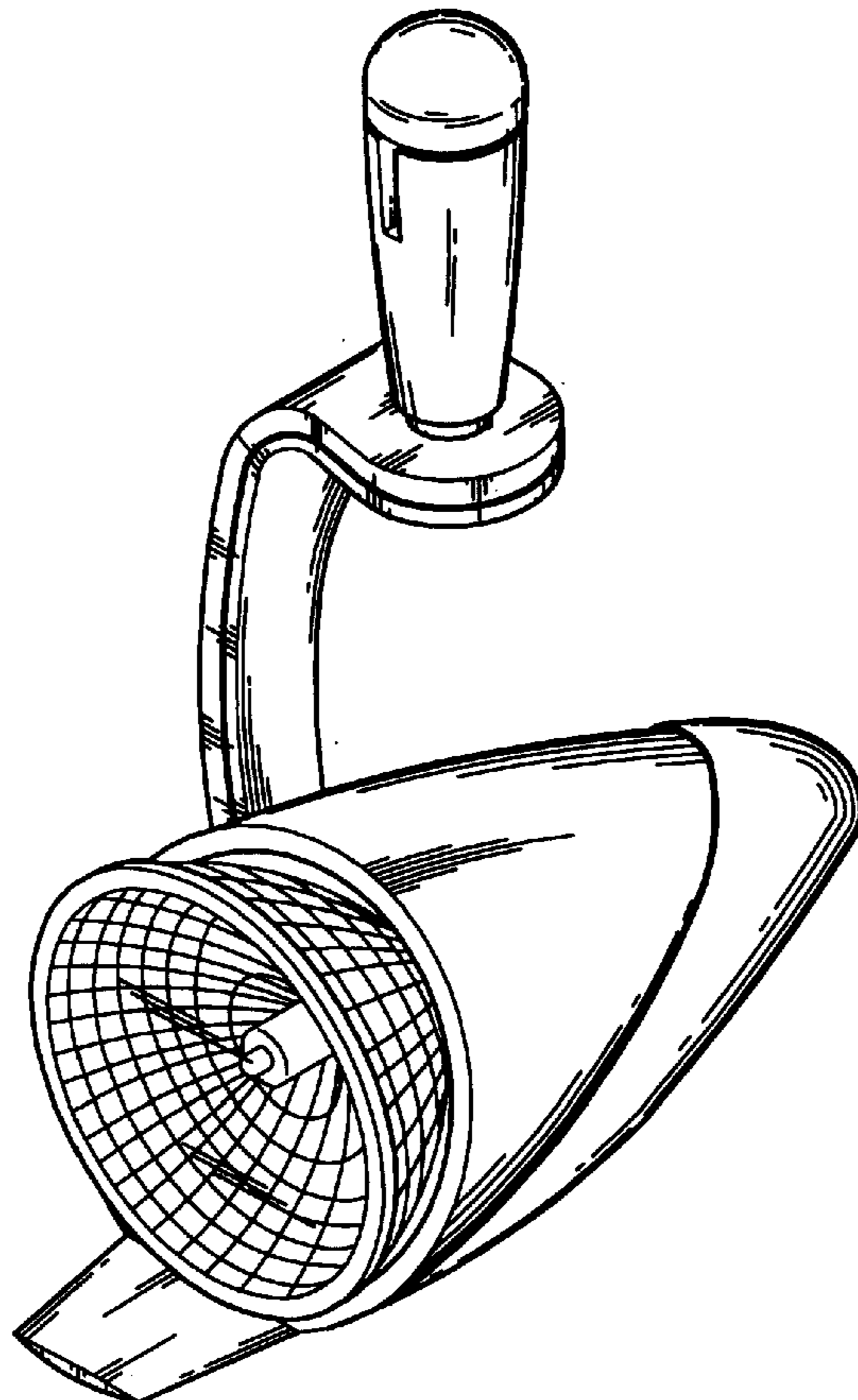
FIG. 4 is the left side view thereof;

FIG. 5 is the right side view thereof;

FIG. 6 is the top view thereof; and,

FIG. 7 is the bottom view thereof.

1 Claim, 7 Drawing Sheets



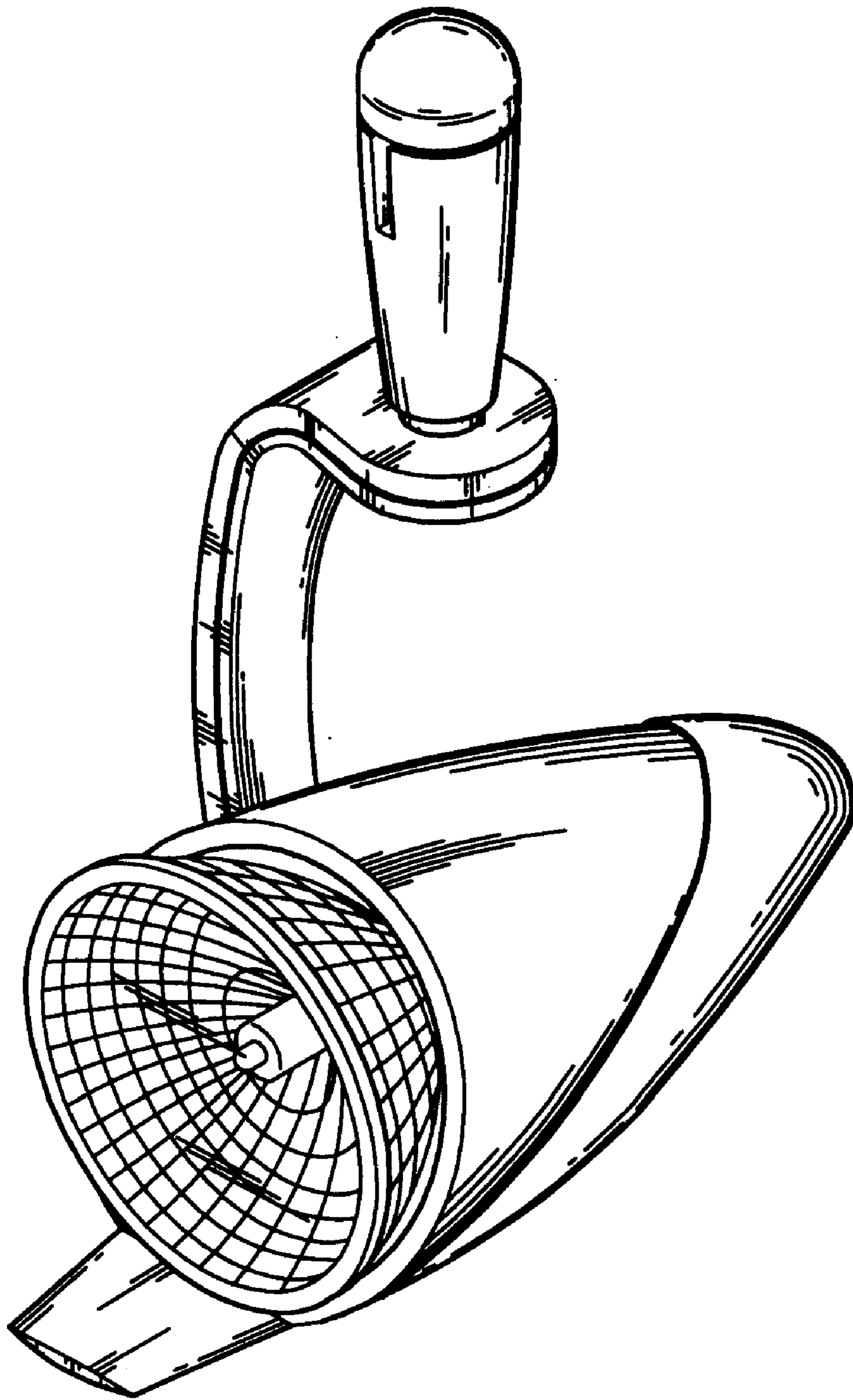


FIG. 1

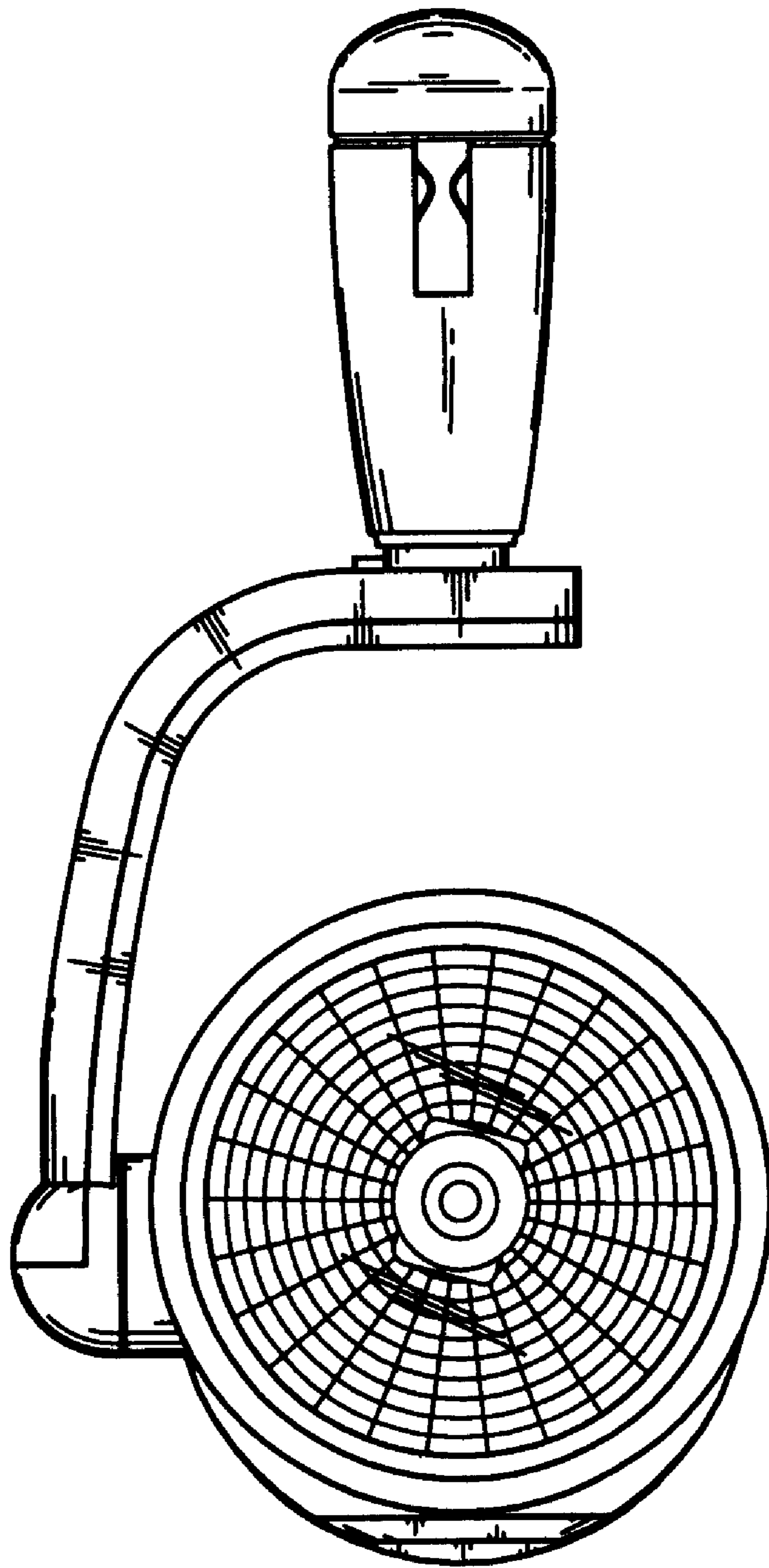


FIG. 2

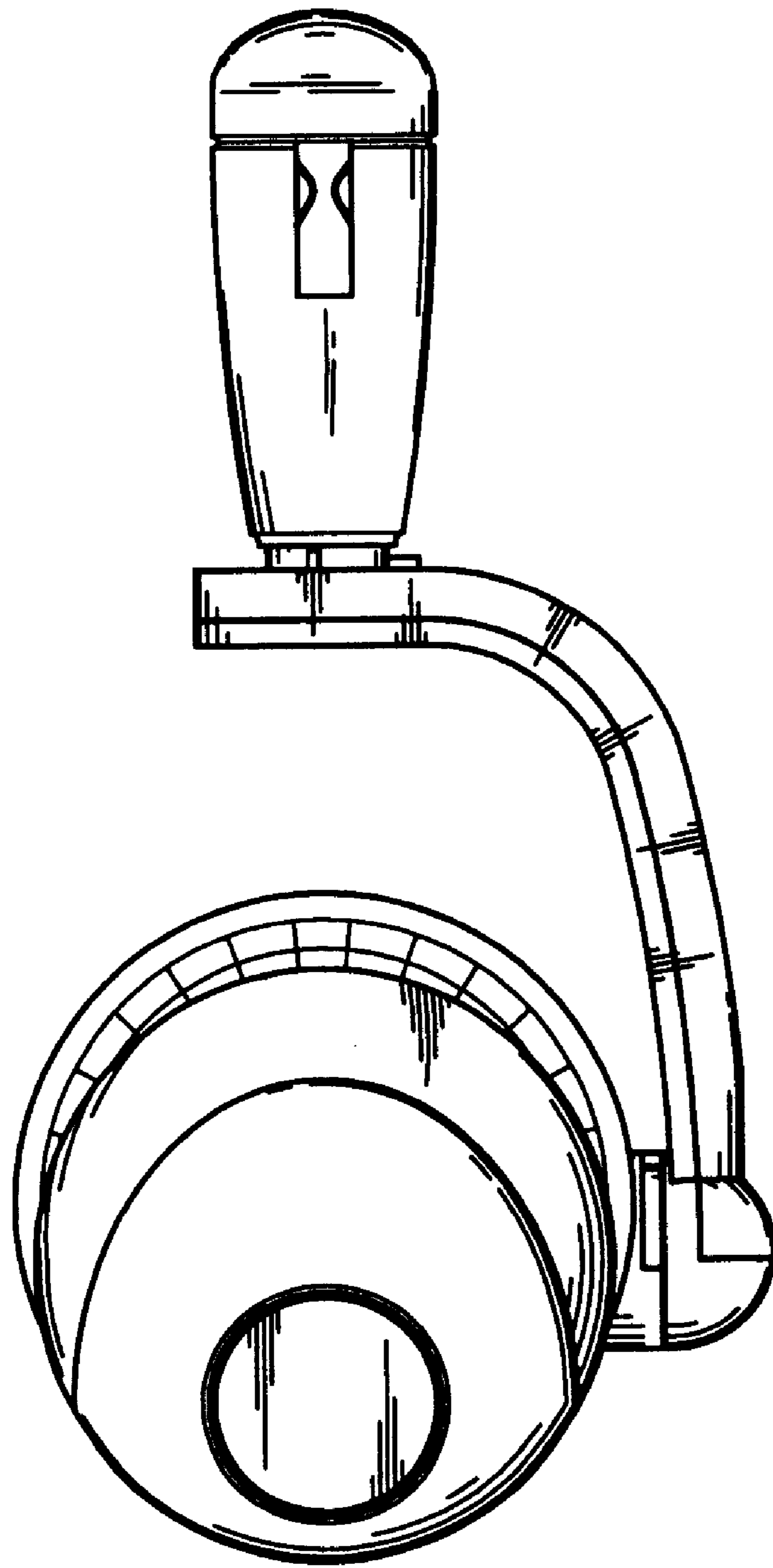


FIG. 3

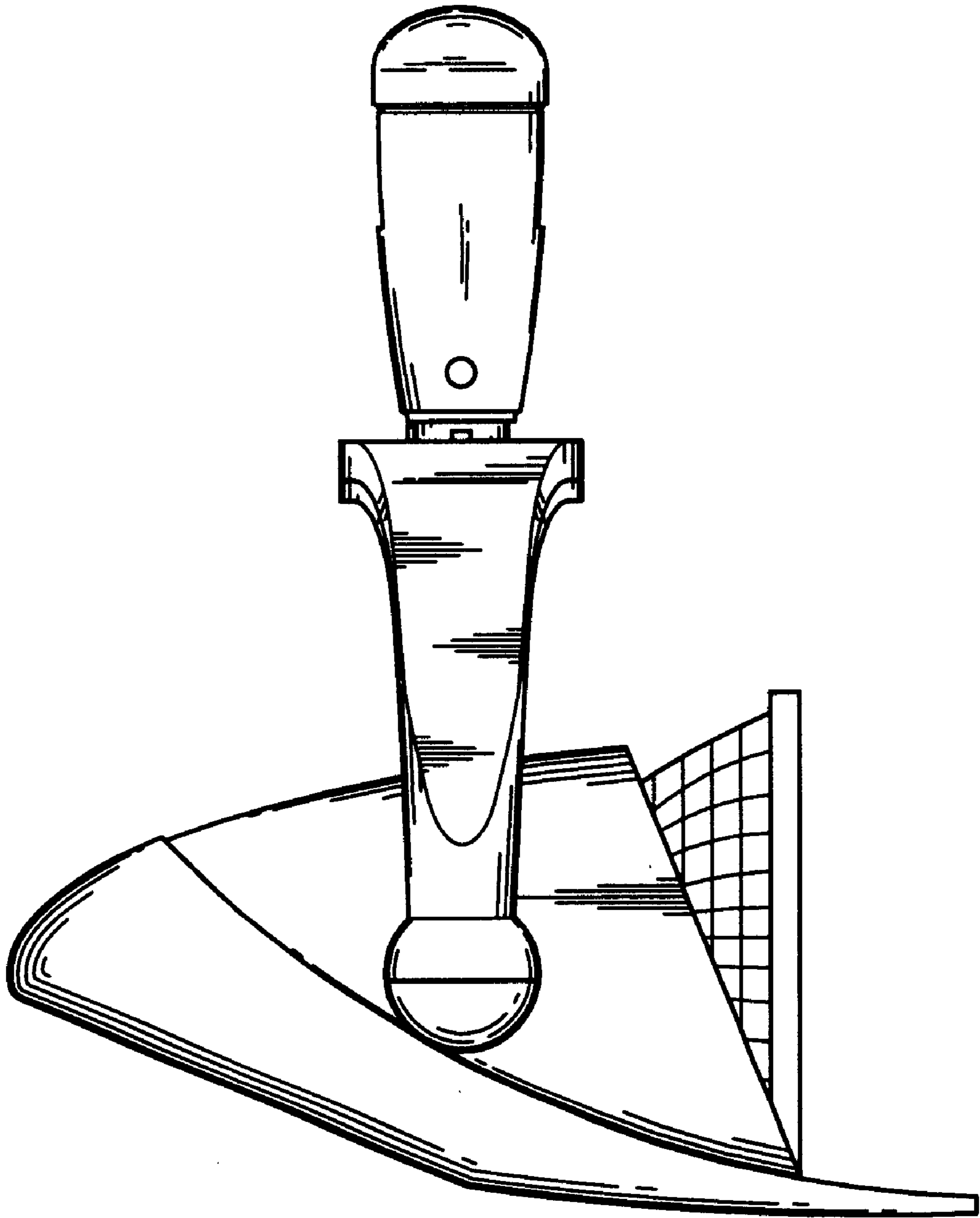


FIG. 4

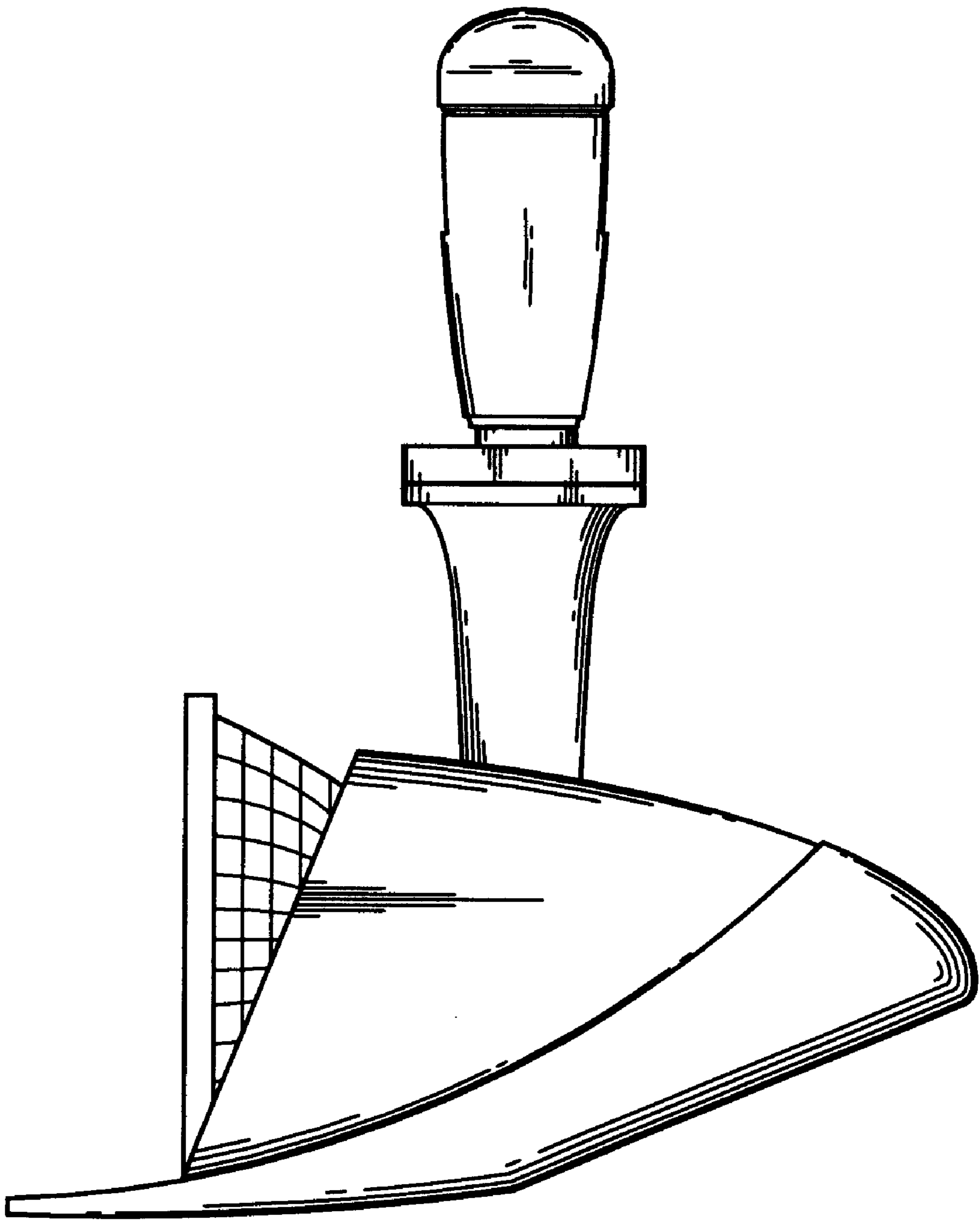


FIG. 5

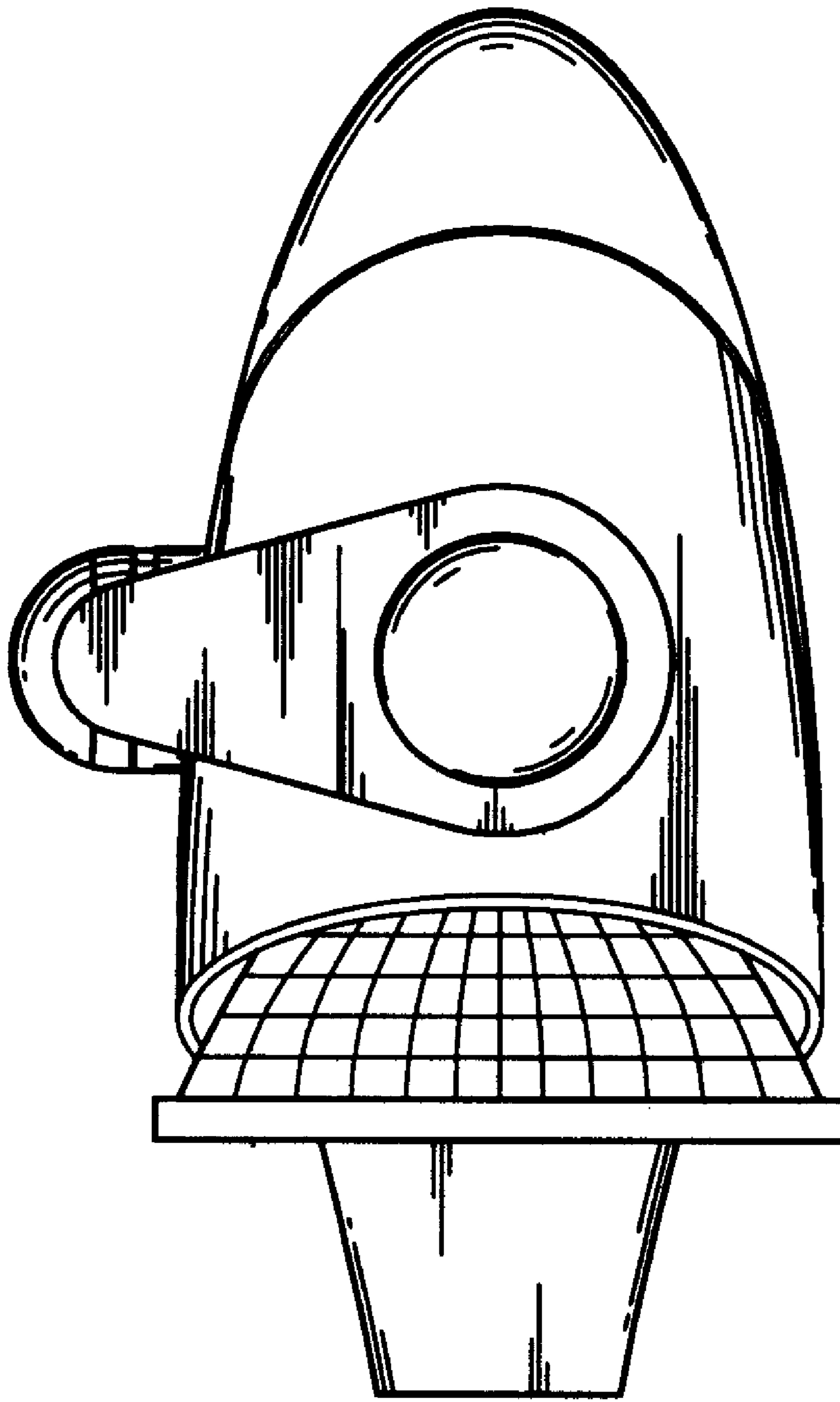


FIG. 6

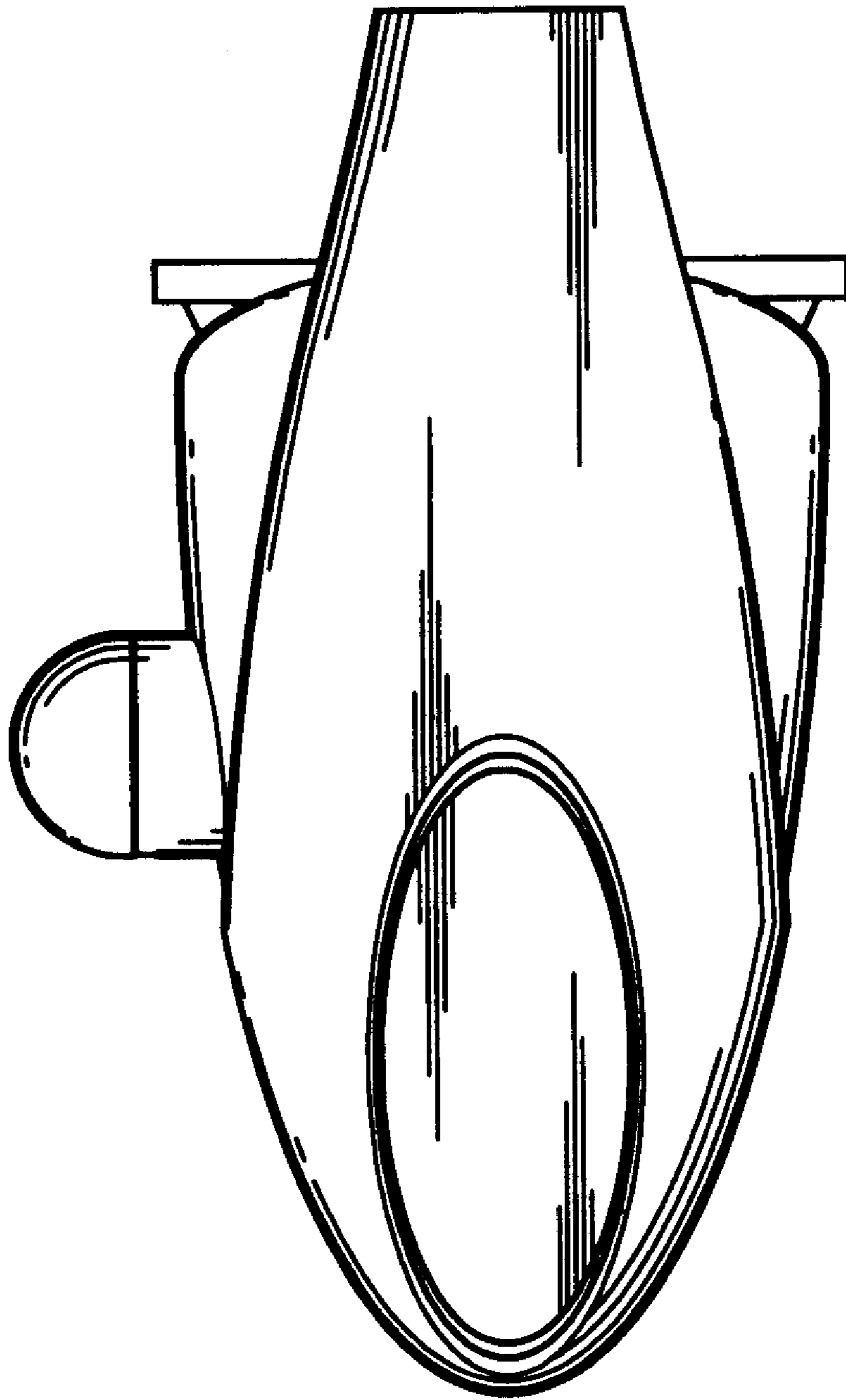


FIG. 7