



US00D443707S

(12) **United States Design Patent**
Poon

(10) **Patent No.:** **US D443,707 S**

(45) **Date of Patent:** **** Jun. 12, 2001**

(54) **EXTENDABLE LAMP**

(75) **Inventor:** **Tit Wing Poon, Shatin (CN)**

(73) **Assignee:** **Flying Dragon Development Ltd.,
Hong Kong (CN)**

(**) **Term:** **14 Years**

(21) **Appl. No.:** **29/128,713**

(22) **Filed:** **Aug. 29, 2000**

(30) **Foreign Application Priority Data**

Mar. 3, 2000 (HK) 0010260

(51) **LOC (7) Cl.** **26-02**

(52) **U.S. Cl.** **D26/41**

(58) **Field of Search** D26/37-50; 362/157,
362/158, 171, 173, 183-208

(56) **References Cited**

U.S. PATENT DOCUMENTS

D. 296,009 * 5/1988 Witusik et al. D26/41

D. 397,817 * 9/1998 Yuen D26/41

D. 431,663 * 10/2000 Kung D26/49

* cited by examiner

Primary Examiner—Marcus A. Jackson

(74) *Attorney, Agent, or Firm*—Alix, Yale & Ristas, LLP

(57) **CLAIM**

The ornamental design for an extendable lamp, as shown and described.

DESCRIPTION

FIG. 1 is a front perspective view of the extendable lamp showing my new design;

FIG. 2 is a front perspective view in an extended position of the extendable lamp of FIG. 1;

FIG. 3 is a front view of the extendable lamp of FIG. 1;

FIG. 4 is a rear view of the extendable lamp of FIG. 1;

FIG. 5 is a left side view of the extendable lamp of FIG. 1;

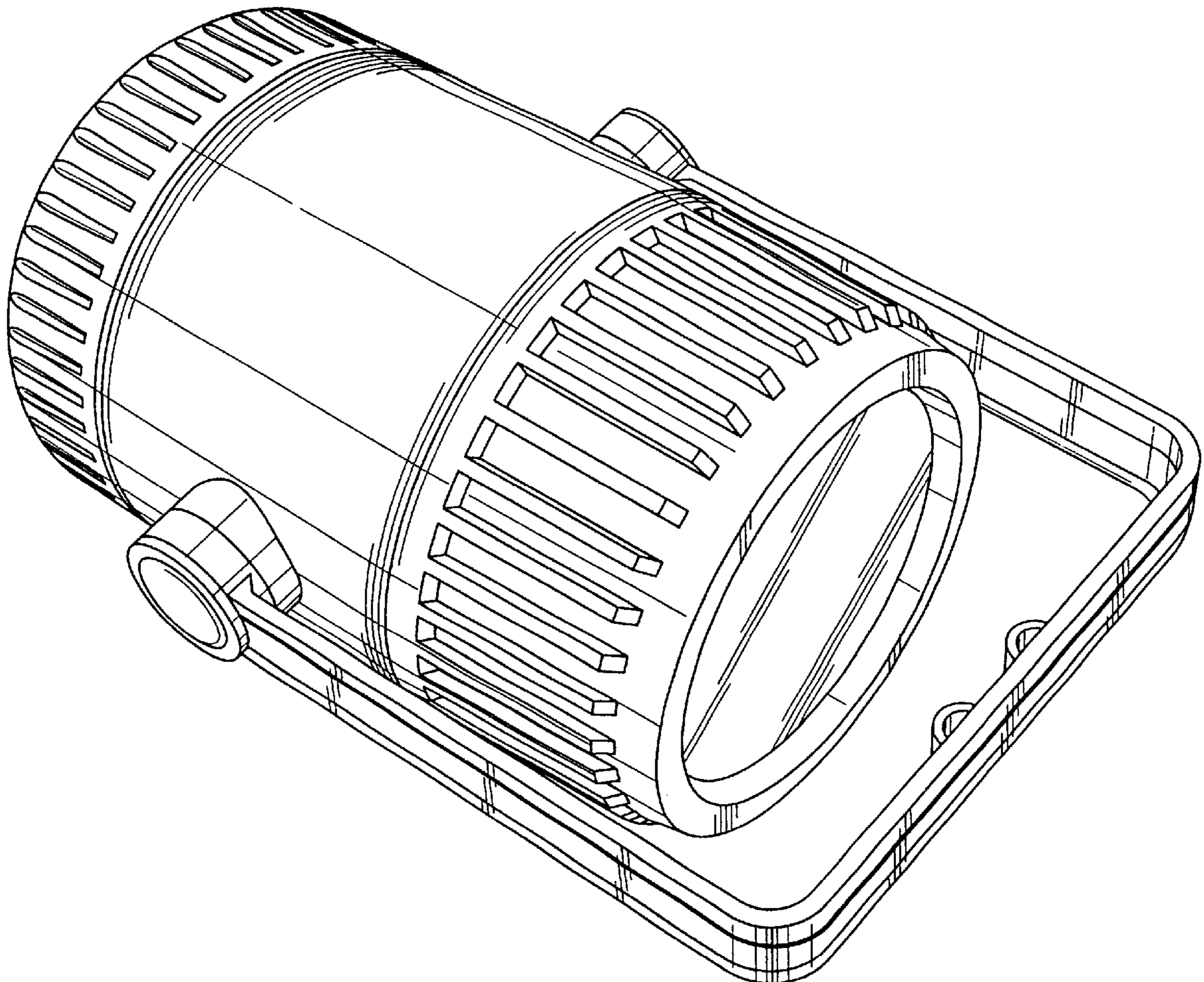
FIG. 6 is a right side view of the extendable lamp of FIG. 1;

FIG. 7 is a top plan view of the extendable lamp of FIG. 1;

and,

FIG. 8 is a bottom plan view of the extendable lamp of FIG. 1.

1 Claim, 6 Drawing Sheets



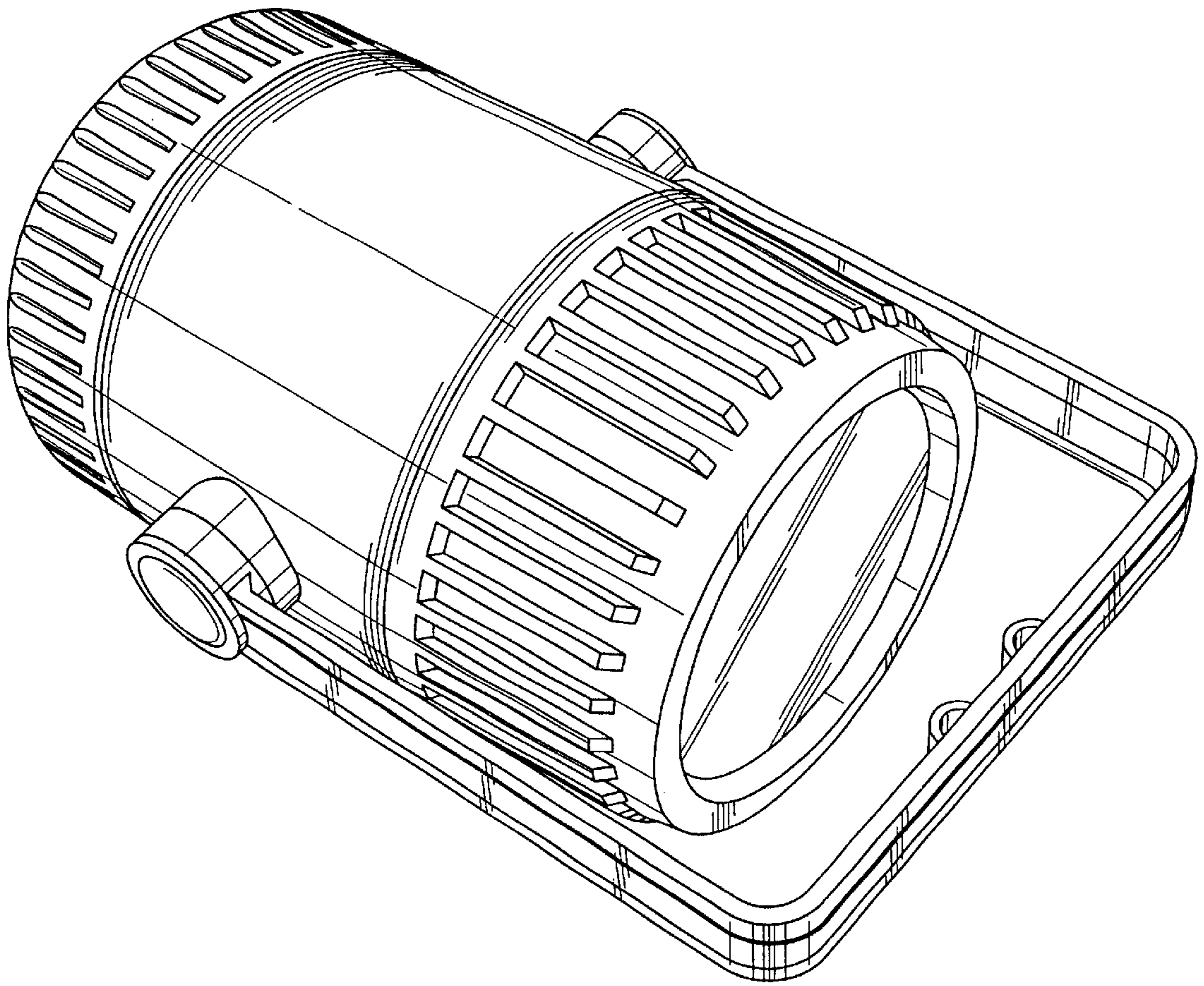


FIG. 1

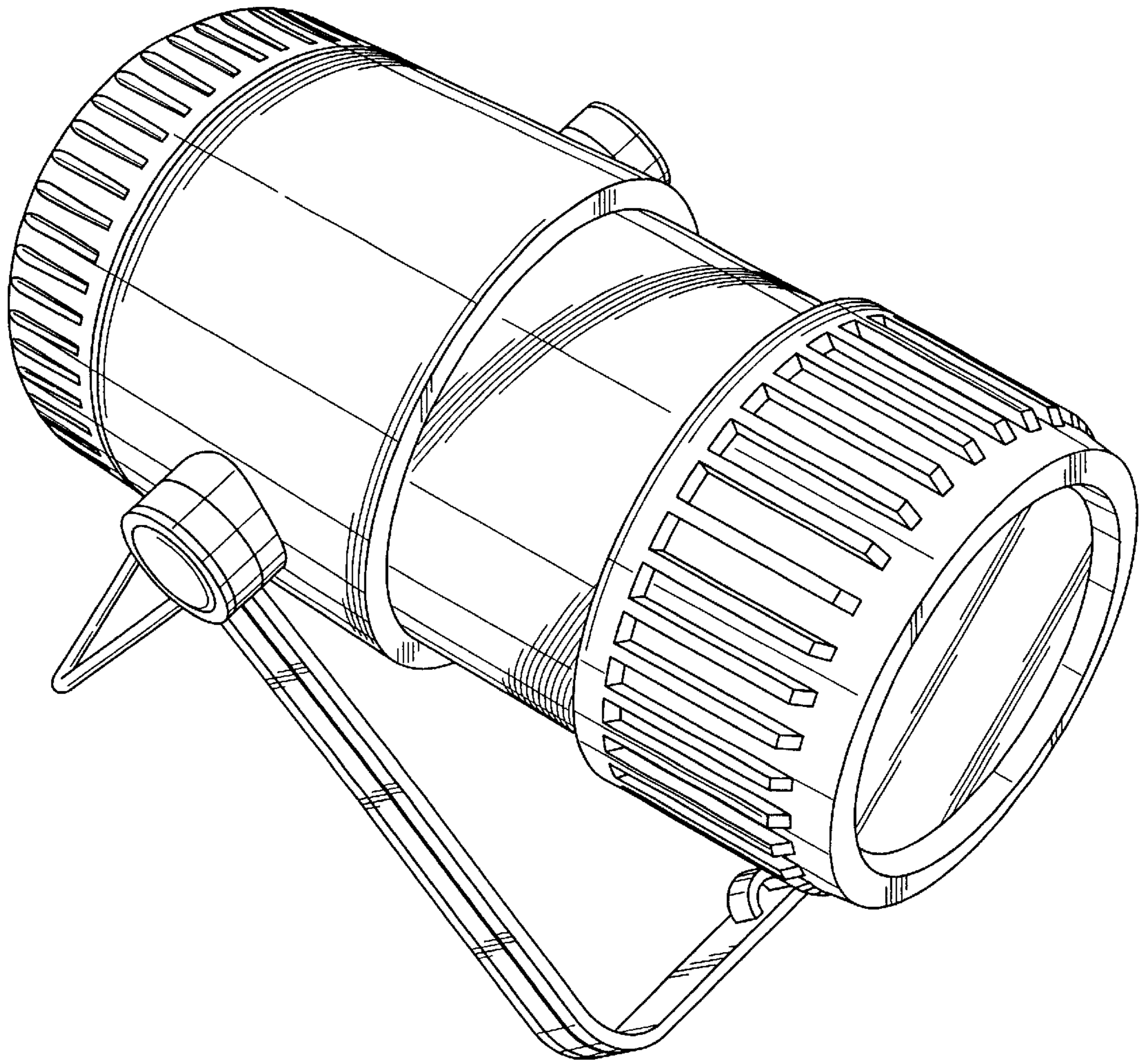


FIG. 2

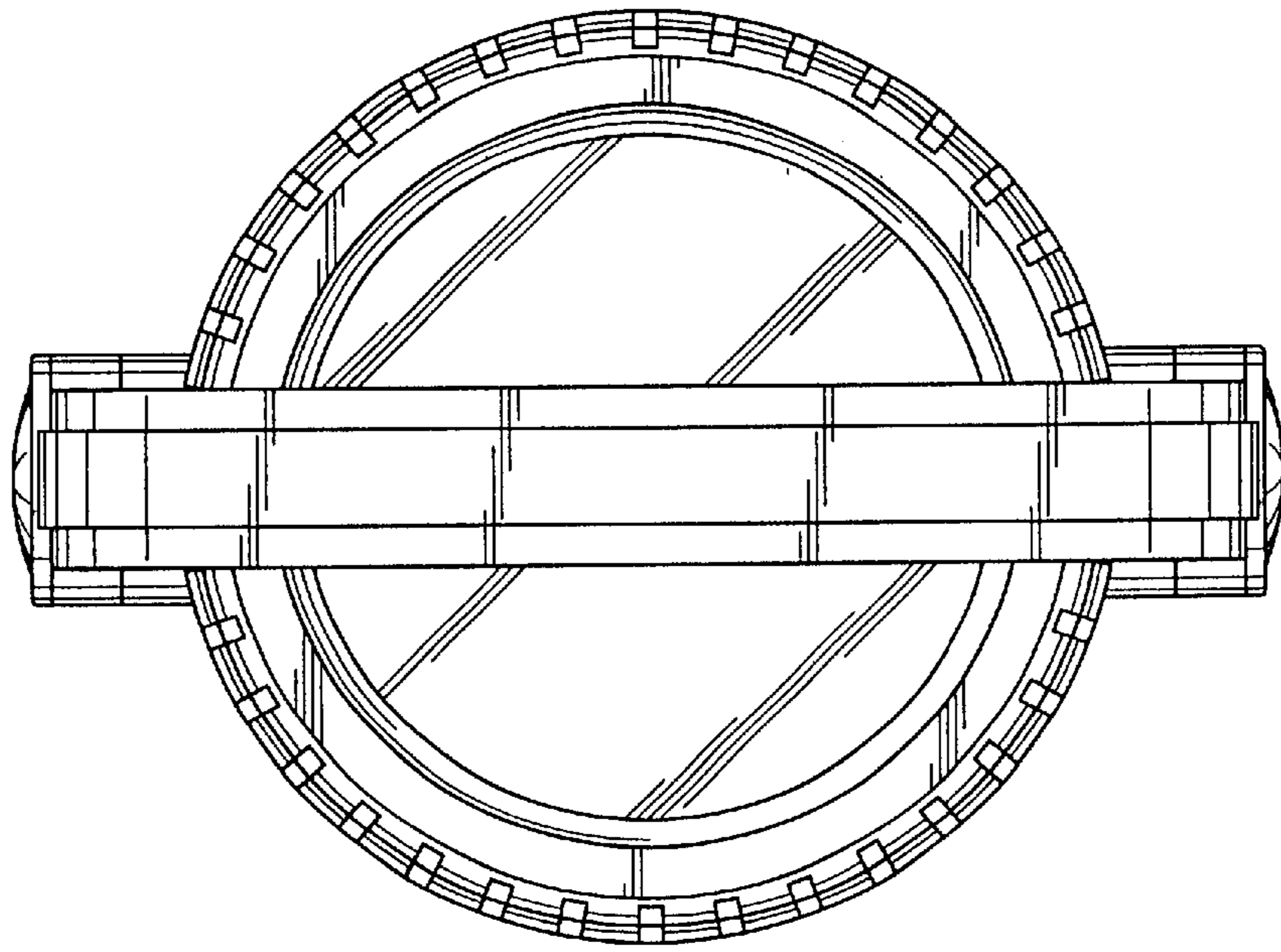


FIG. 3

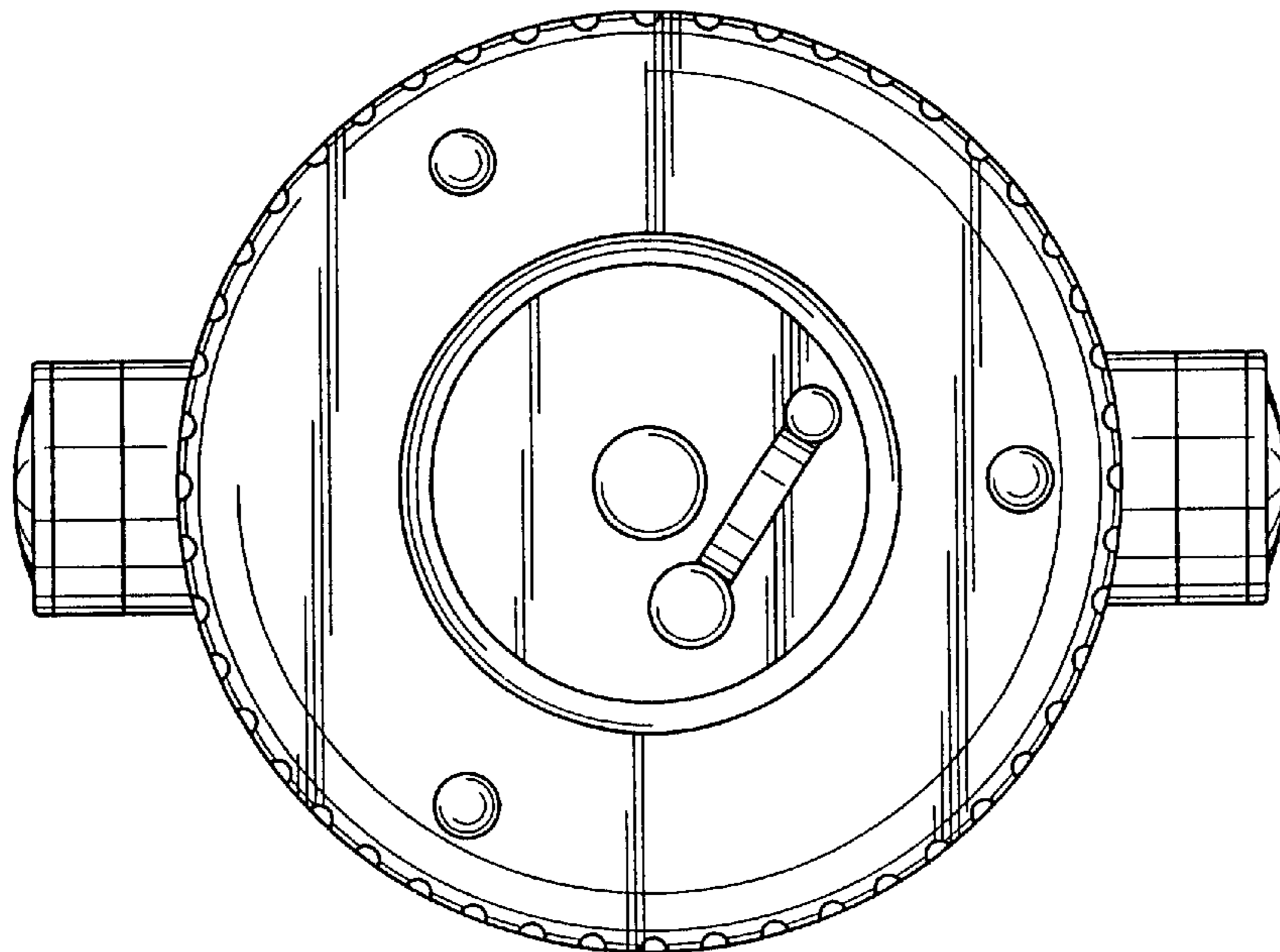


FIG. 4

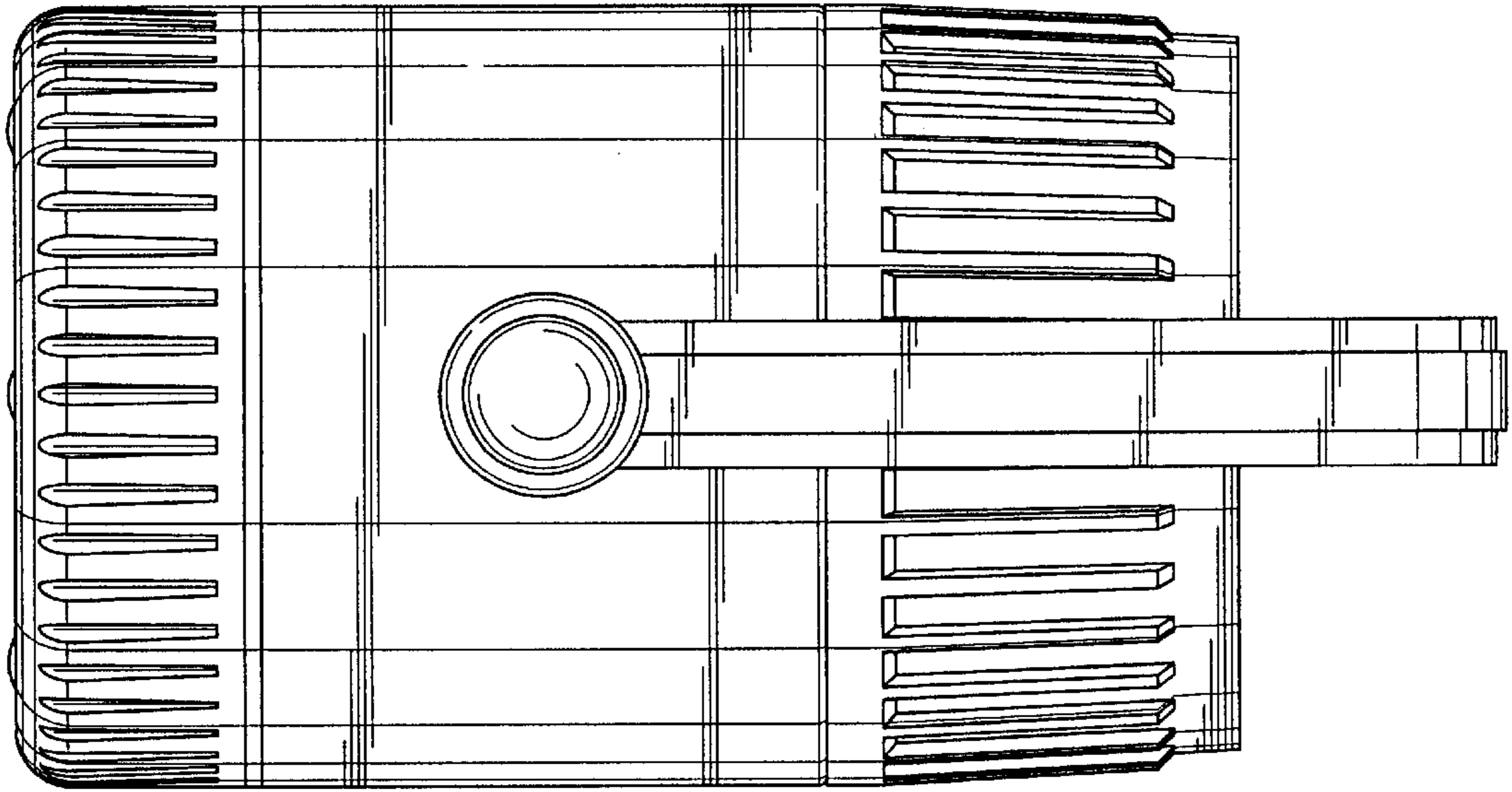


FIG. 5

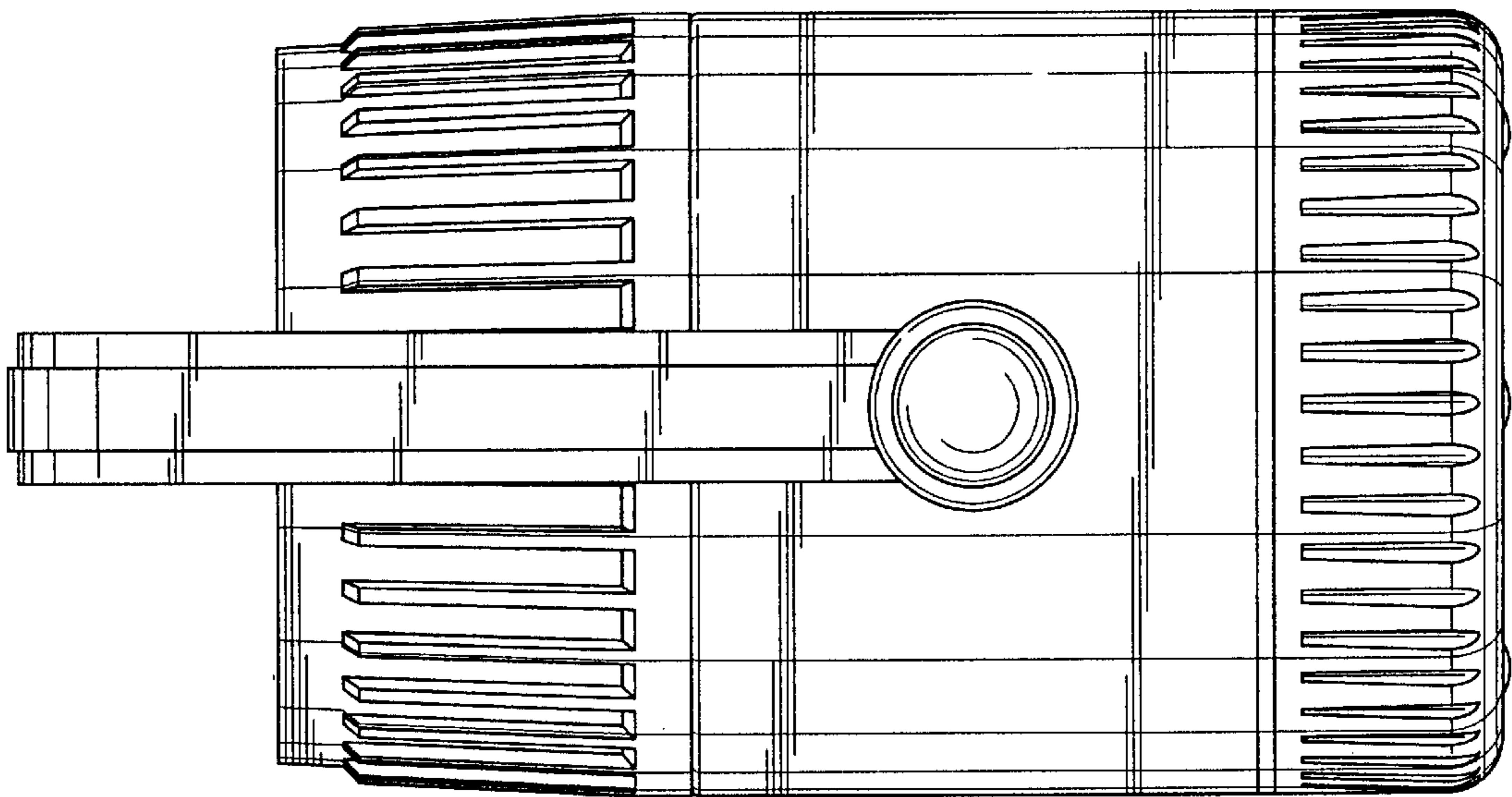


FIG. 6

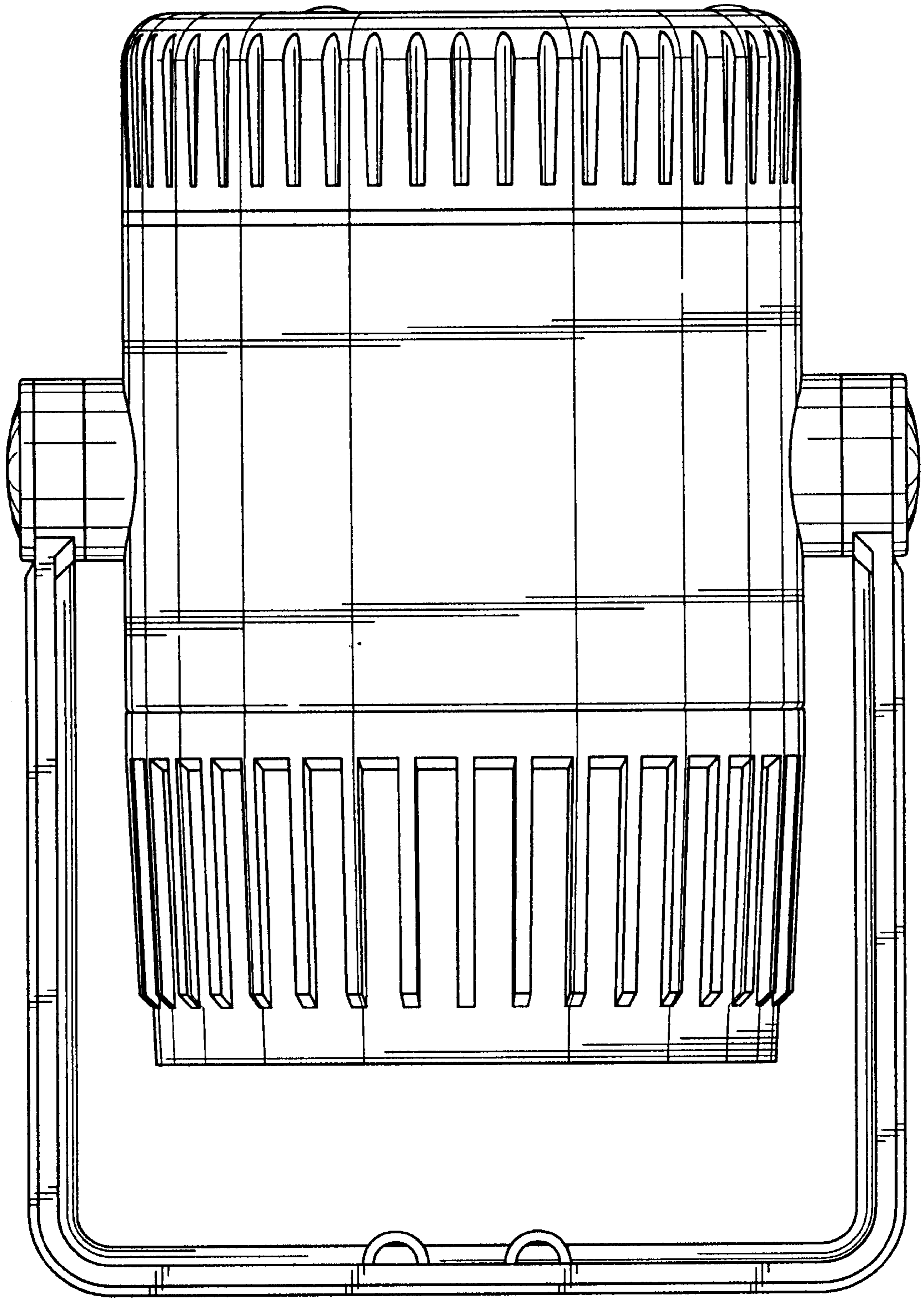


FIG. 7

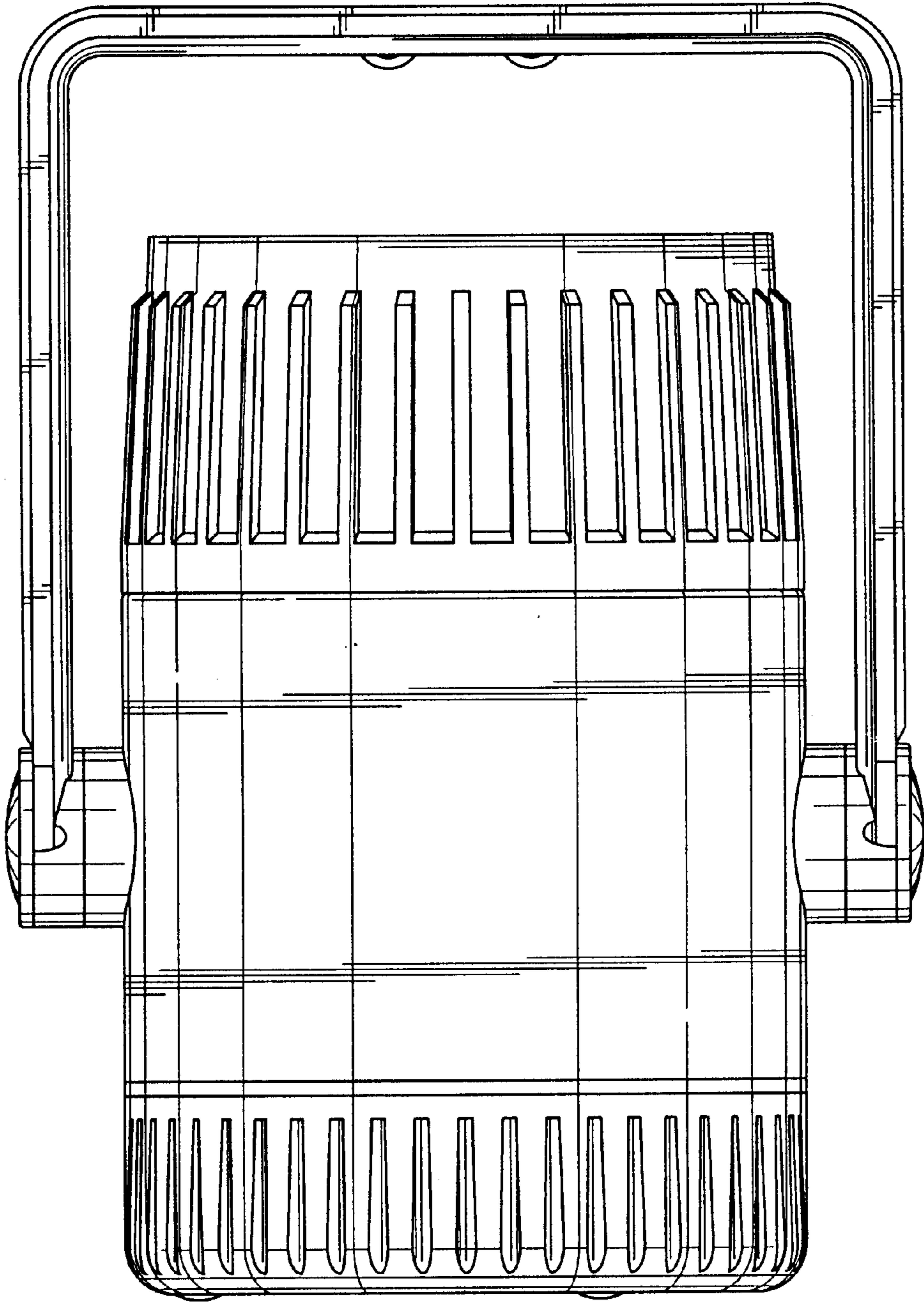


FIG. 8