



US00D443706S

(12) **United States Design Patent**
Israel et al.

(10) **Patent No.:** **US D443,706 S**

(45) **Date of Patent:** **** Jun. 12, 2001**

(54) **LANTERN**

1,119,358 * 12/1914 Kasper 362/159
1,143,604 * 6/1915 Achberger 362/180

(75) Inventors: **Gary Israel**, Andover; **Nai-Cheng Tsao**, Wichita, both of KS (US);
Antonio Belton, Hazel Crest; **Phil Holsinger**, Chicago, both of IL (US)

* cited by examiner

Primary Examiner—Marcus A. Jackson
(74) *Attorney, Agent, or Firm*—Kramer, Levin, Naftalis & Frankel, LLP.

(73) Assignee: **The Coleman Company, Inc.**, Wichita, KS (US)

(57) **CLAIM**

(**) Term: **14 Years**

The ornamental design for a lantern, as shown and described.

(21) Appl. No.: **29/120,378**

DESCRIPTION

(22) Filed: **Mar. 17, 2000**

FIG. 1 is a front perspective view showing the new design; FIG. 2 is a front elevation view thereof; FIG. 3 is a rear elevation view thereof; FIG. 4 is a side elevation view thereof; FIG. 5 is a side elevation view thereof, showing the opposite side of FIG. 4; FIG. 6 is a bottom plan view thereof; FIG. 7 is a top plan view thereof; and, FIG. 8 is a front perspective view of a further embodiment of the design, the only difference being the addition of a handle.

(51) **LOC (7) Cl.** **26-02**

(52) **U.S. Cl.** **D26/40**

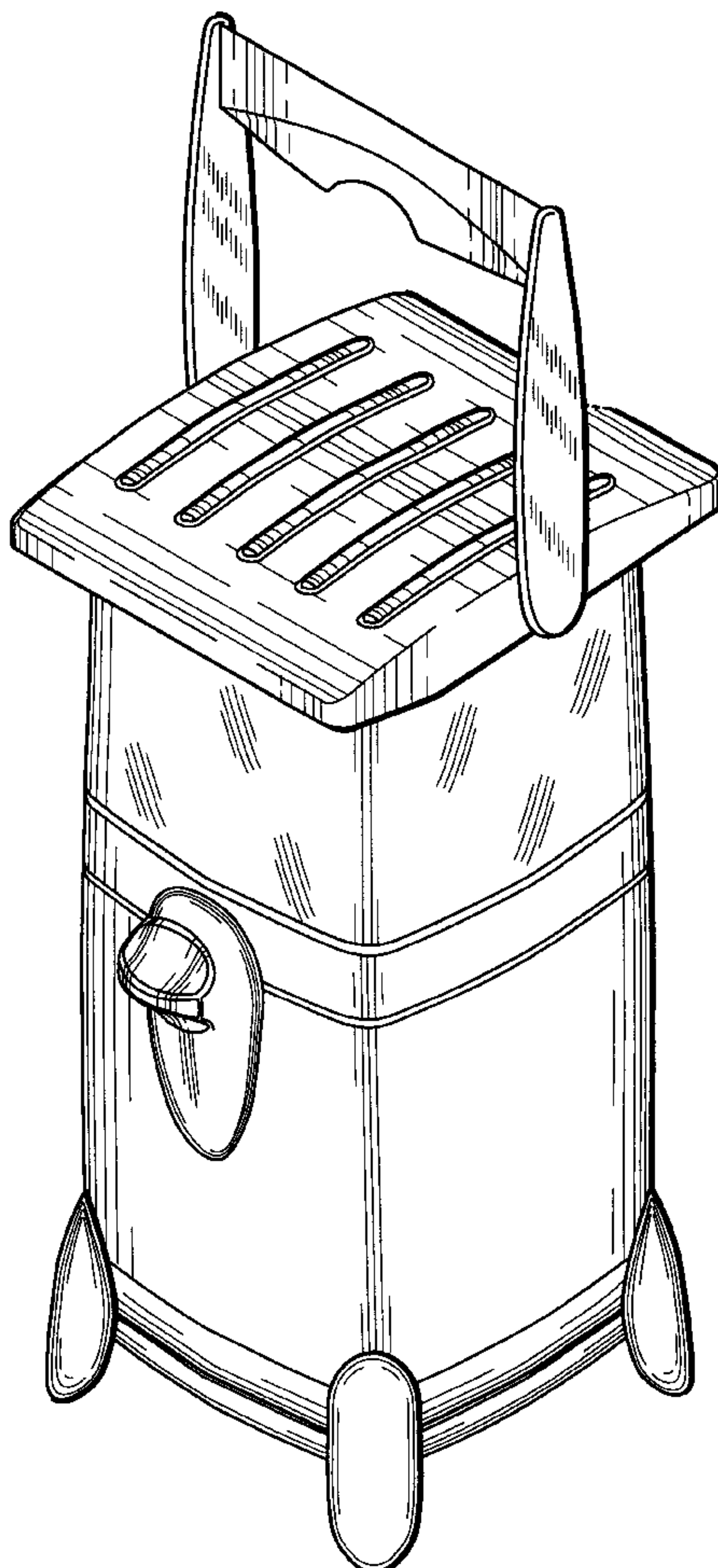
(58) **Field of Search** D26/37-50; 362/157, 362/158, 161, 163, 171, 179, 180, 183-208

(56) **References Cited**

U.S. PATENT DOCUMENTS

- D. 280,027 * 8/1985 Petterson D26/40
- D. 287,410 * 12/1986 Johansson D26/40
- D. 311,964 11/1990 Wan D26/37

1 Claim, 5 Drawing Sheets



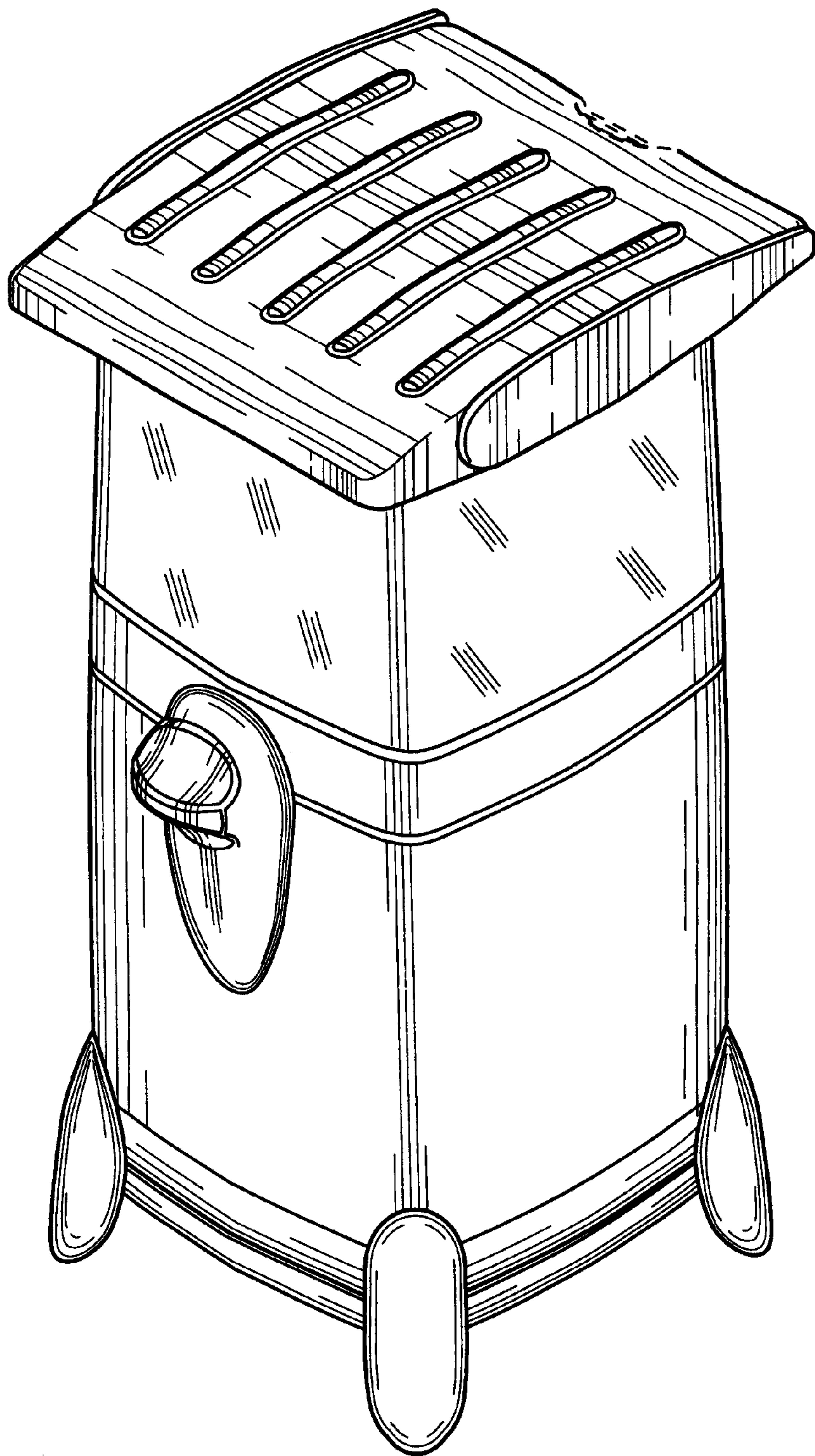


FIG. 1

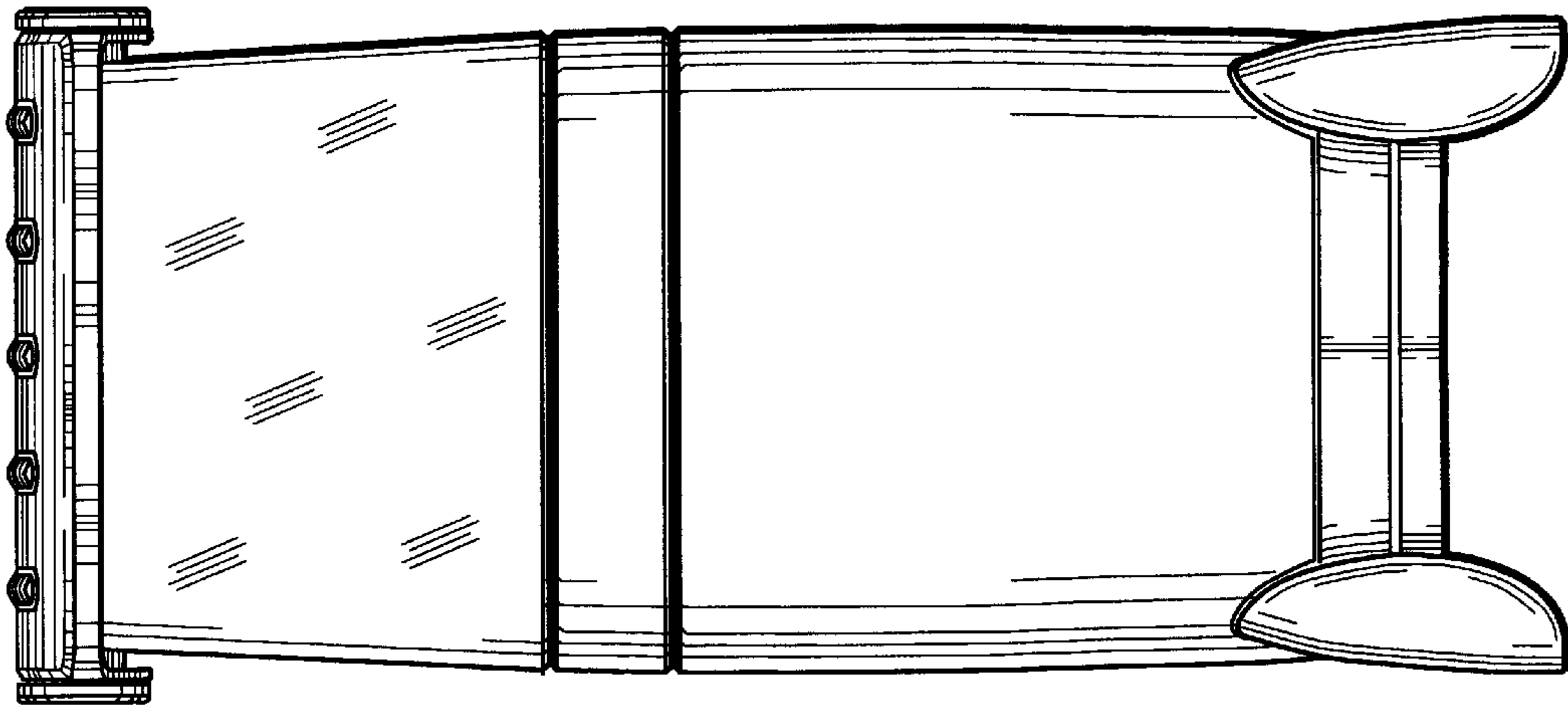


FIG. 3

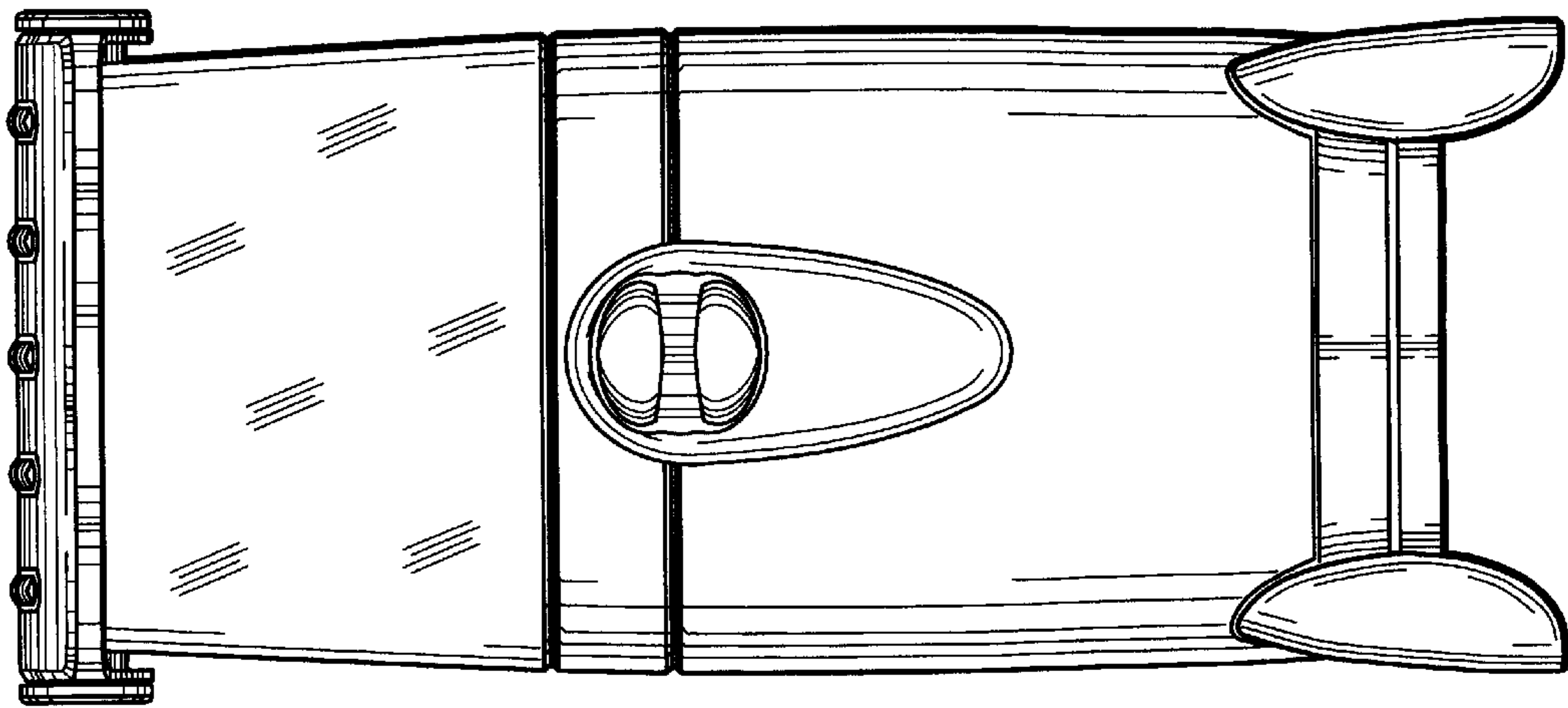


FIG. 2

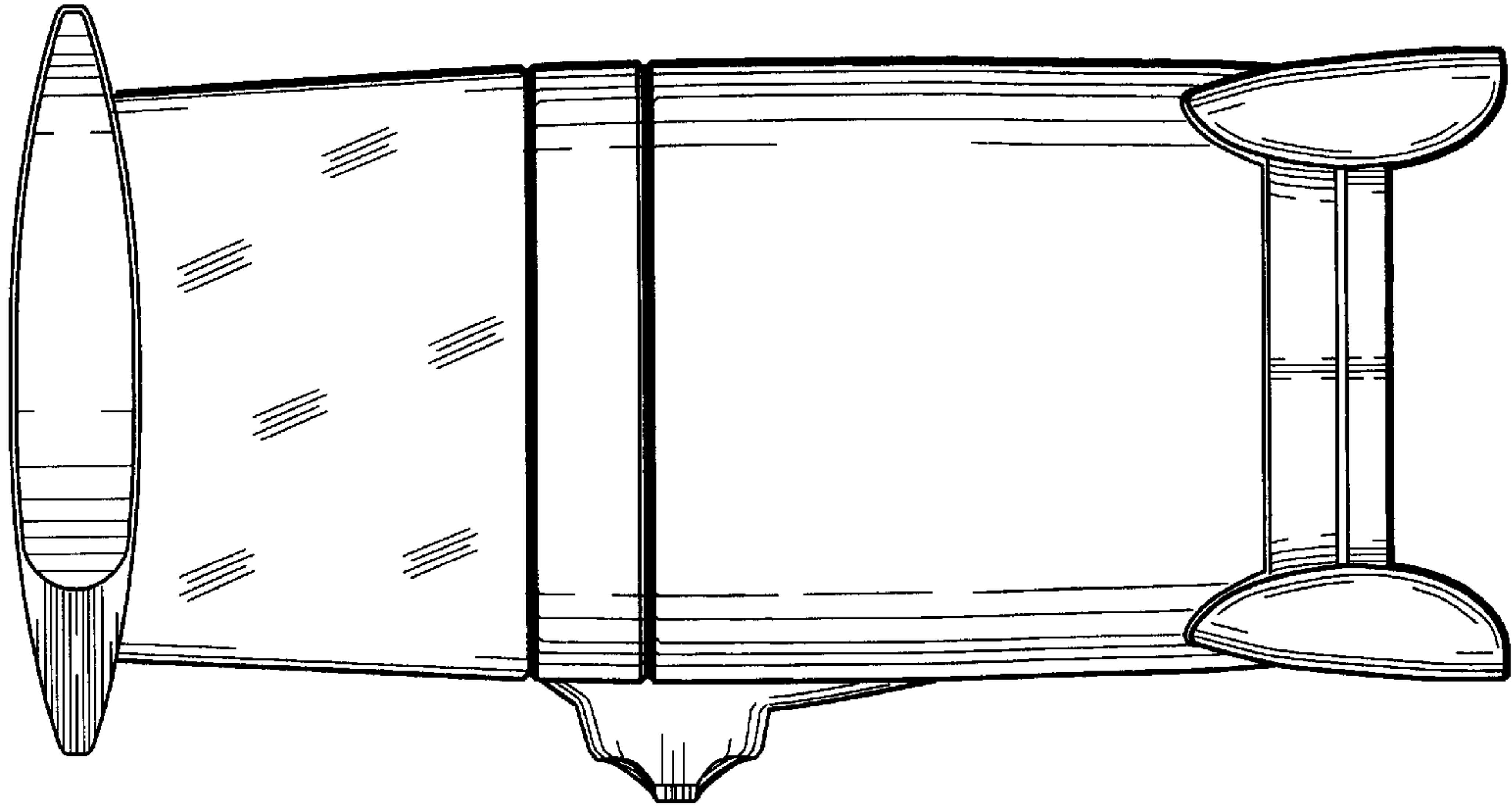


FIG. 5

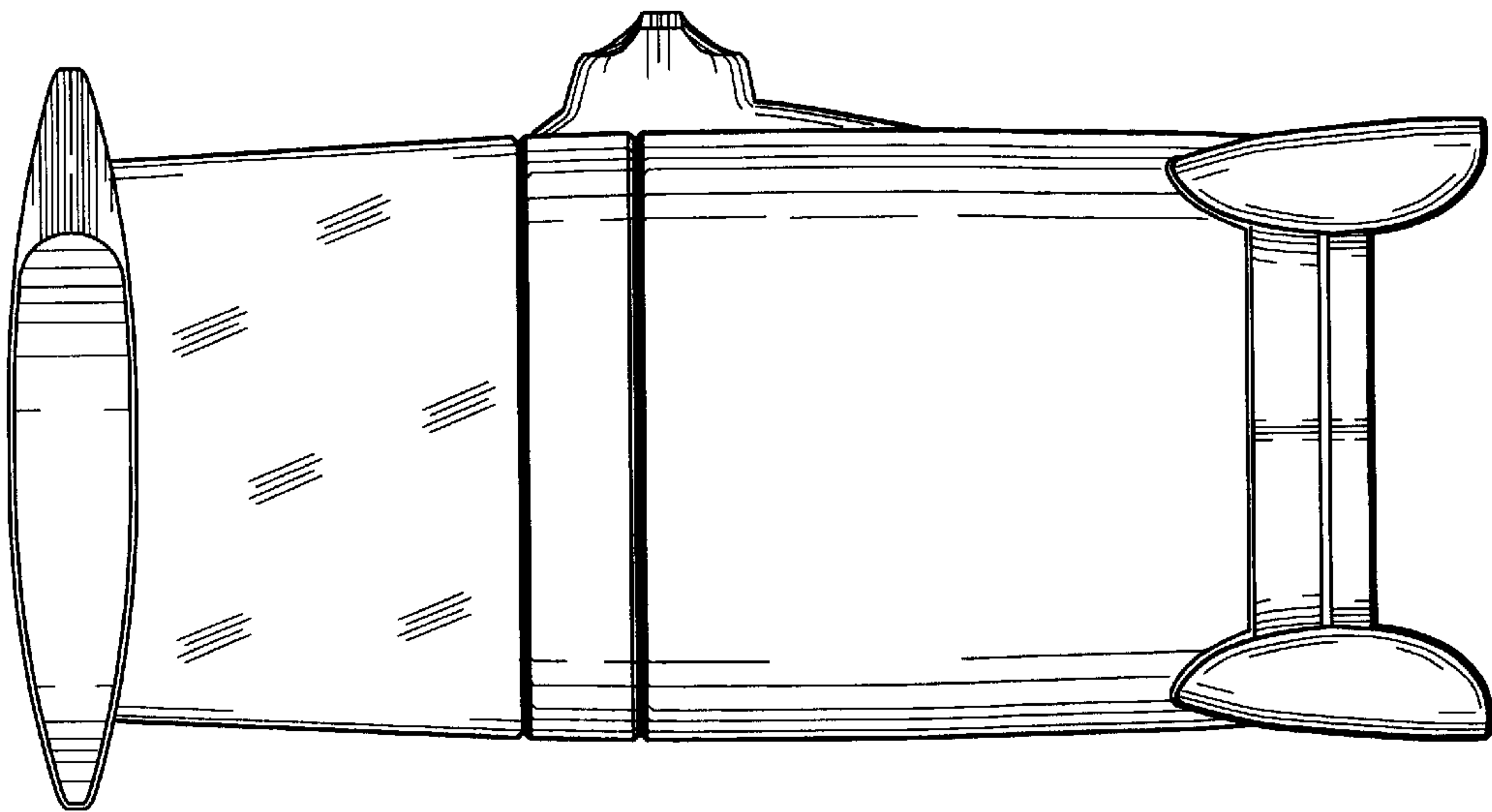


FIG. 4

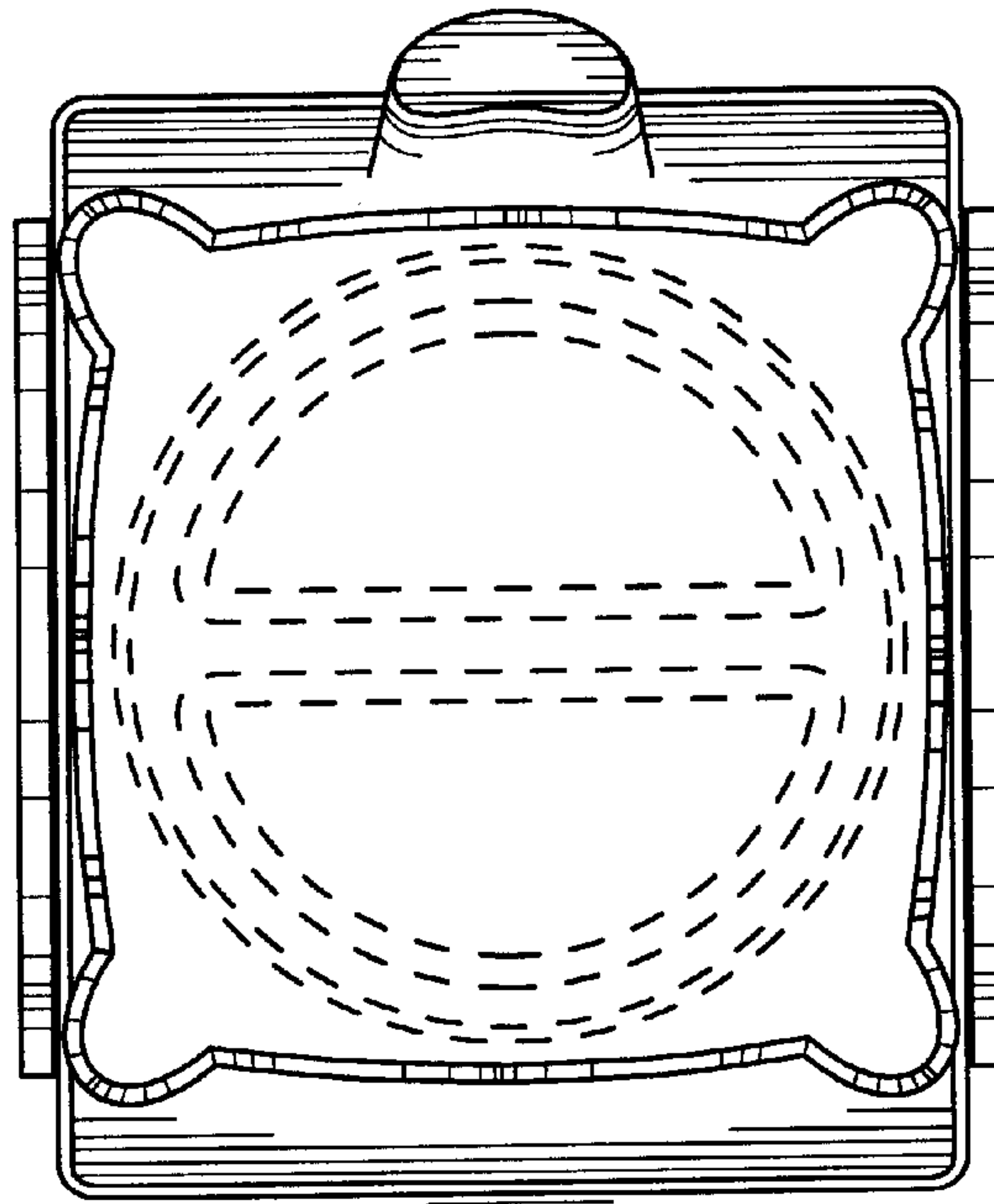


FIG. 6

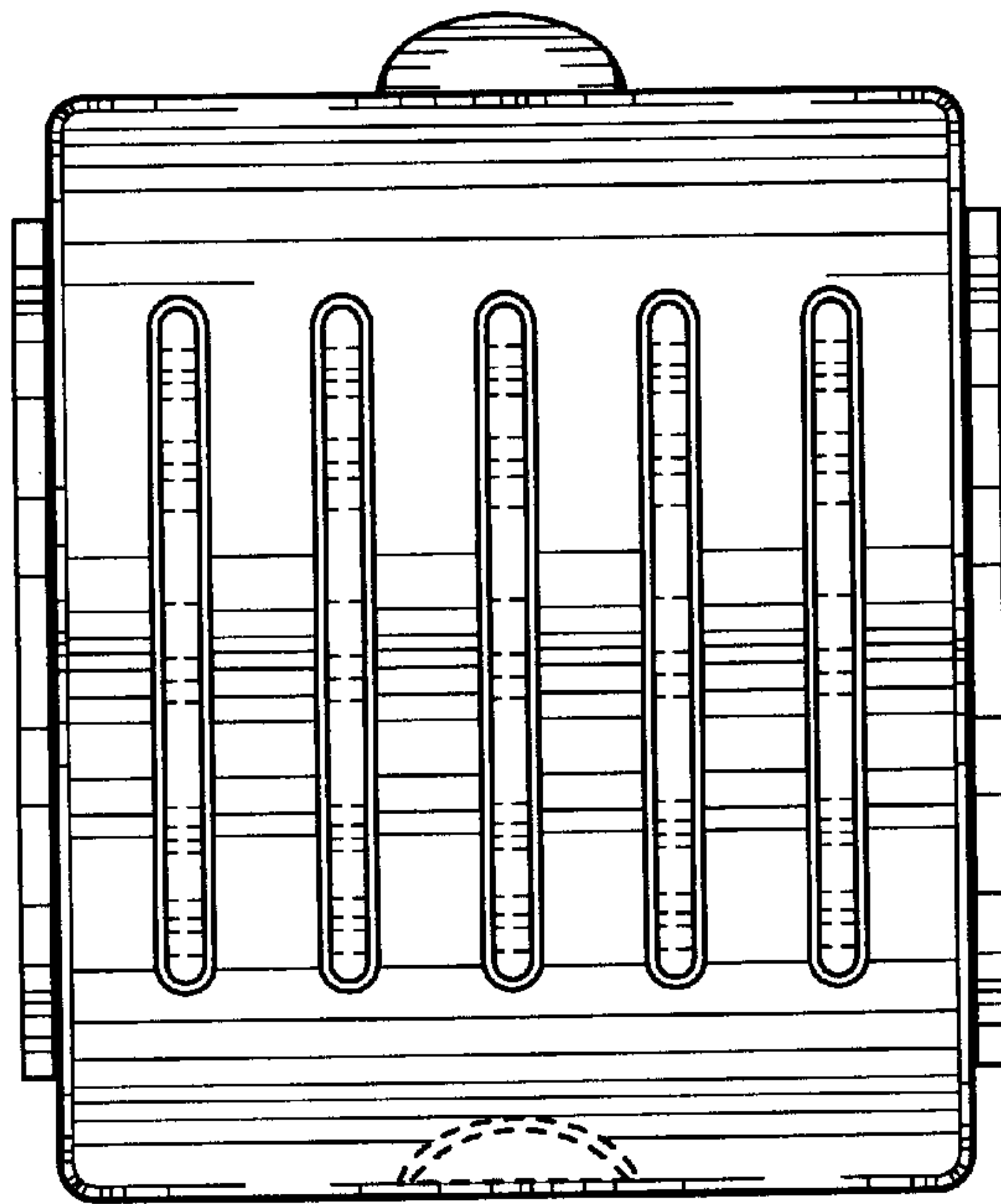


FIG. 7

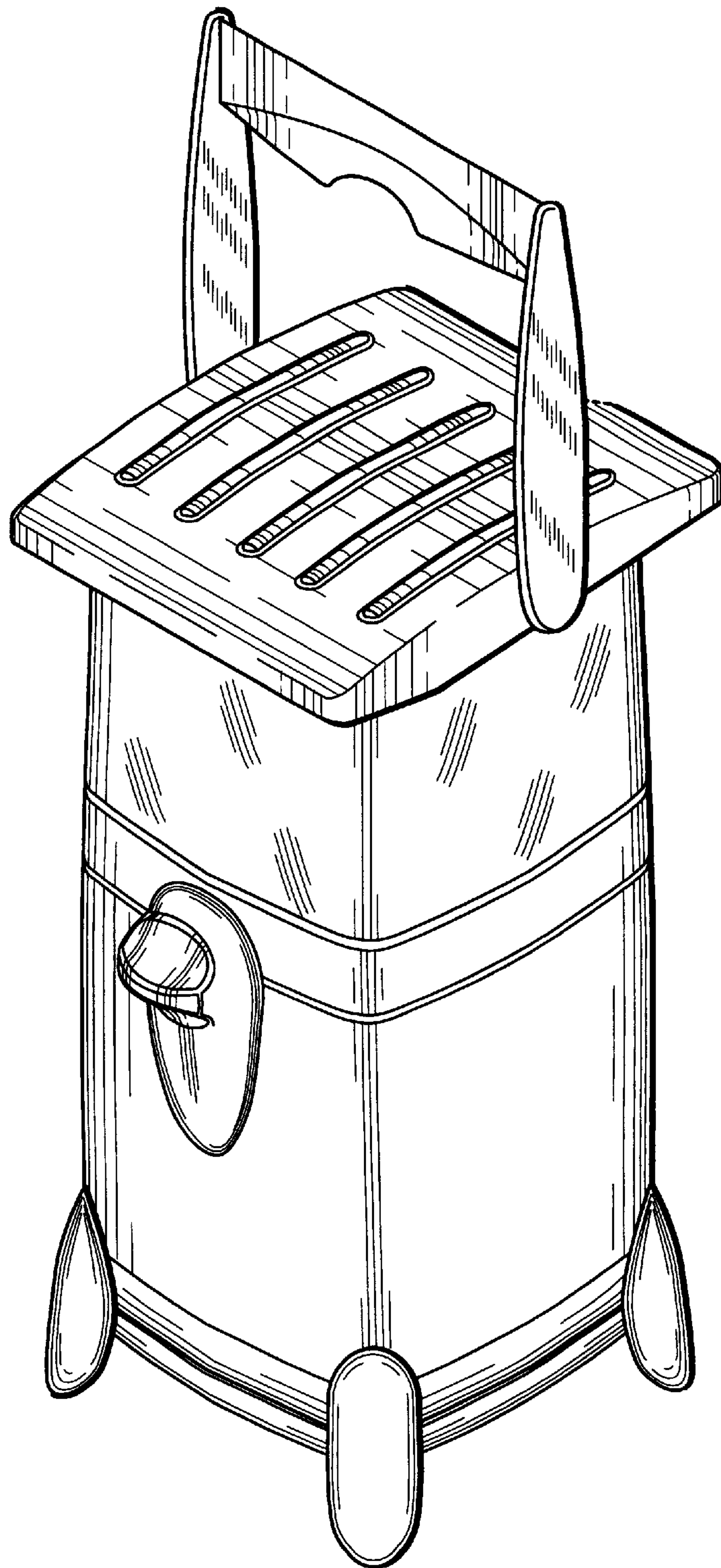


FIG. 8