



US00D443700S

(12) **United States Design Patent**
Rooney

(10) **Patent No.:** **US D443,700 S**

(45) **Date of Patent:** **** Jun. 12, 2001**

(54) **AUXILIARY LADDER STEP**

(76) **Inventor:** **Dale Rooney**, 316 W. 22nd Ave. #40,
Anchorage, AK (US) 99503

(**) **Term:** **14 Years**

(21) **Appl. No.:** **29/126,813**

(22) **Filed:** **Jul. 24, 2000**

(51) **LOC (7) Cl.** **25-04**

(52) **U.S. Cl.** **D25/68**

(58) **Field of Search** D25/69, 62, 68;
182/120-123; 248/238, 210

(56) **References Cited**

U.S. PATENT DOCUMENTS

- D. 248,777 * 8/1978 Spencer et al. D25/68
- 5,836,420 * 11/1998 Marky, Jr. 182/121

* cited by examiner

Primary Examiner—Doris Clark

(74) *Attorney, Agent, or Firm*—Michael J. Tavella

(57) **CLAIM**

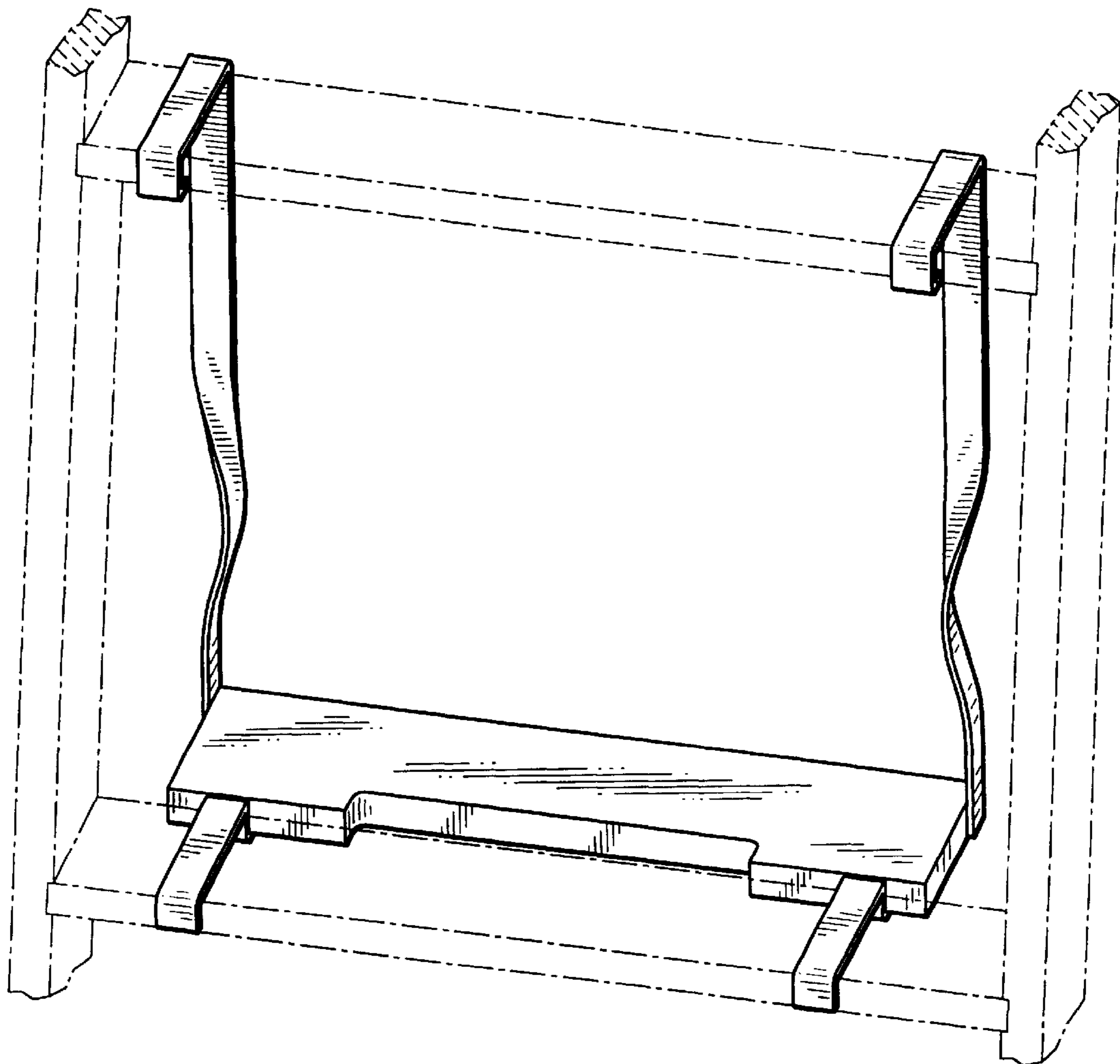
The ornamental design for an auxiliary ladder step, as shown and described.

DESCRIPTION

FIG. 1 is a perspective view of my new auxiliary ladder step.
 FIG. 2 is a top plan view thereof.
 FIG. 3 is a front elevation view thereof.
 FIG. 4 is a back elevation view thereof.
 FIG. 5 is a left side elevation view thereof.
 FIG. 6 is a right side elevation view thereof.
 FIG. 7 is a bottom plan view thereof; and,
 FIG. 8 is a perspective view of my design in place on a ladder.

The dashed lines showing the ladder are for illustrative purposes only and form no part of the claimed design.

1 Claim, 4 Drawing Sheets



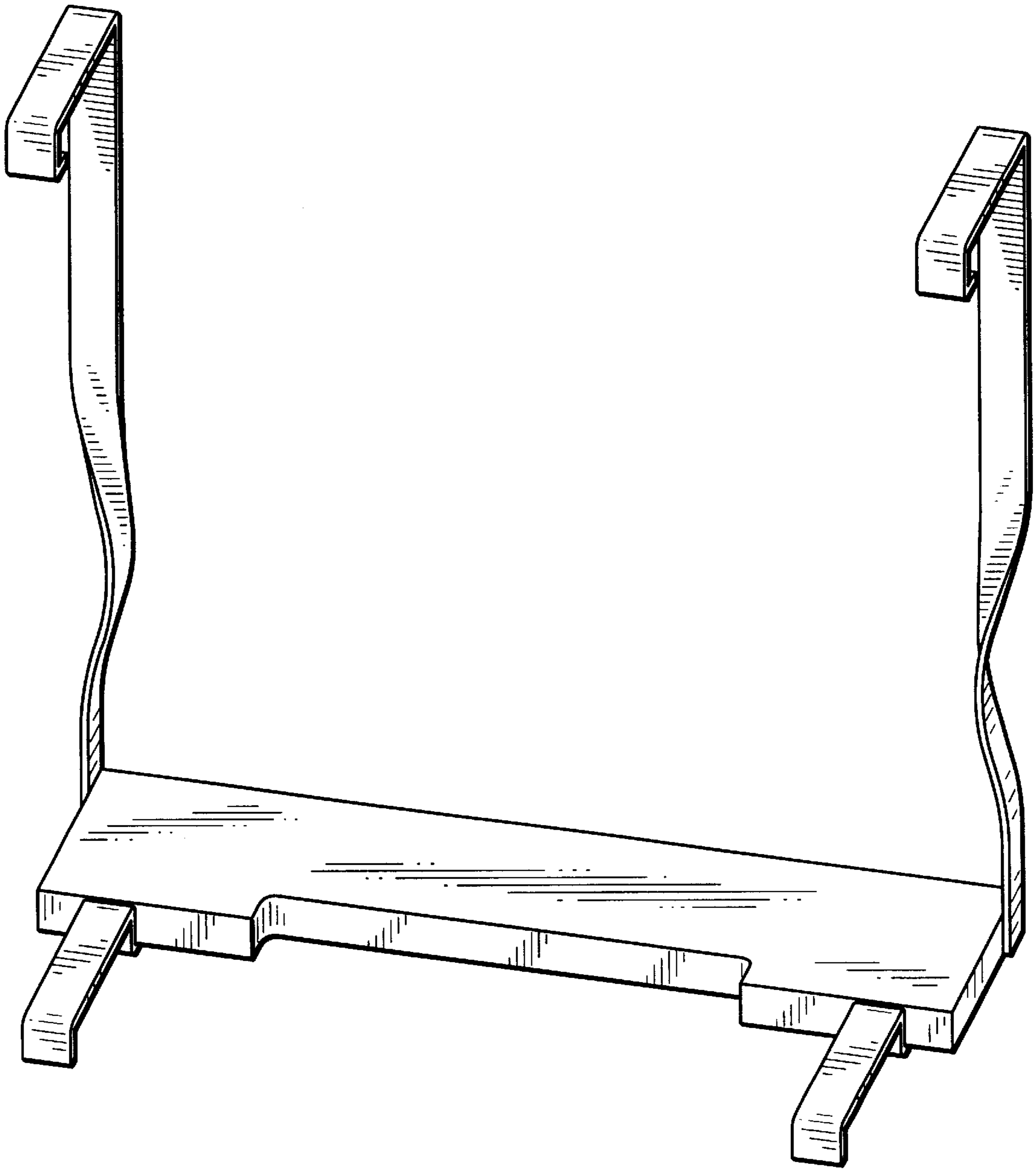


Fig. 1

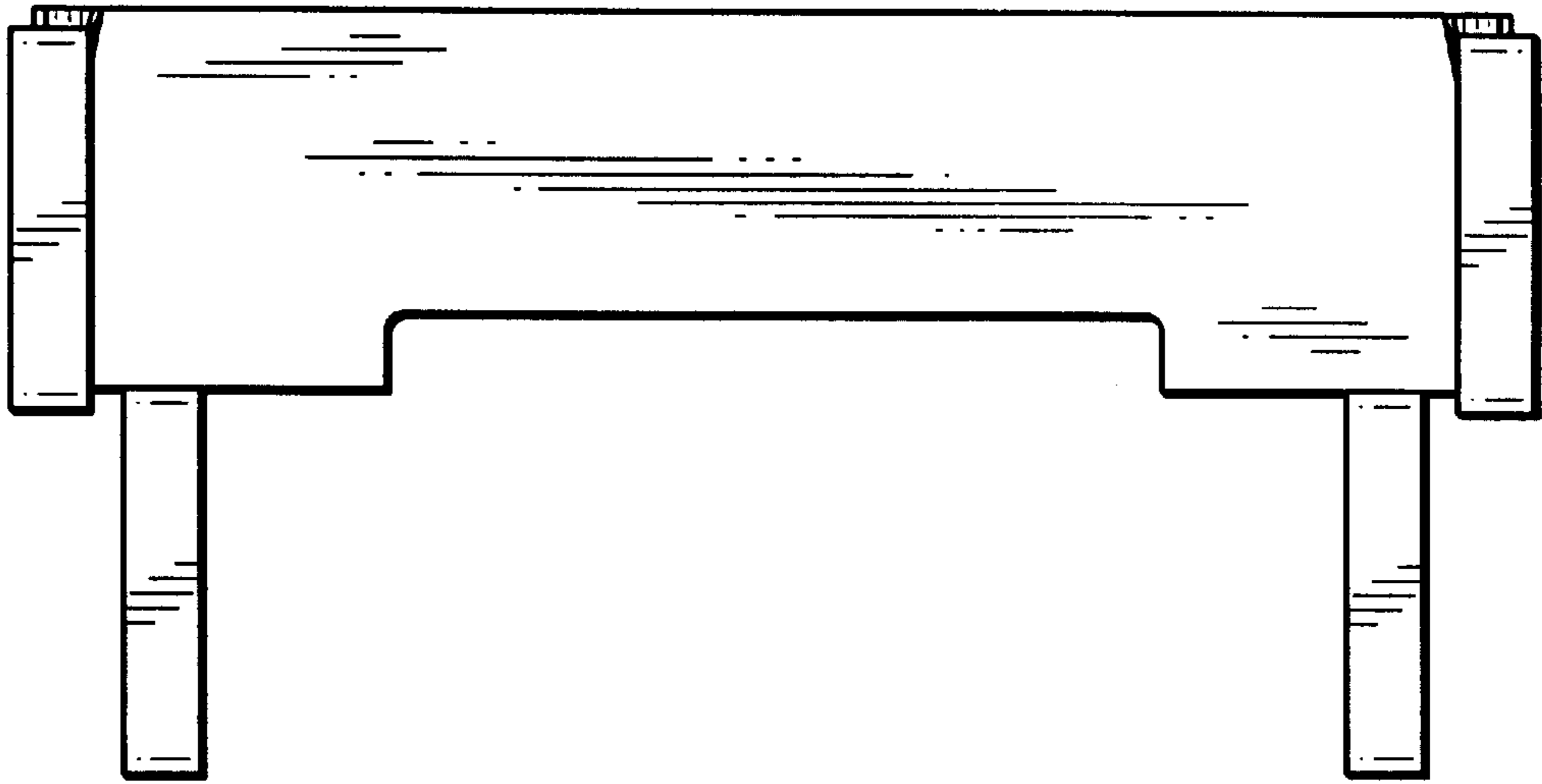


Fig. 2

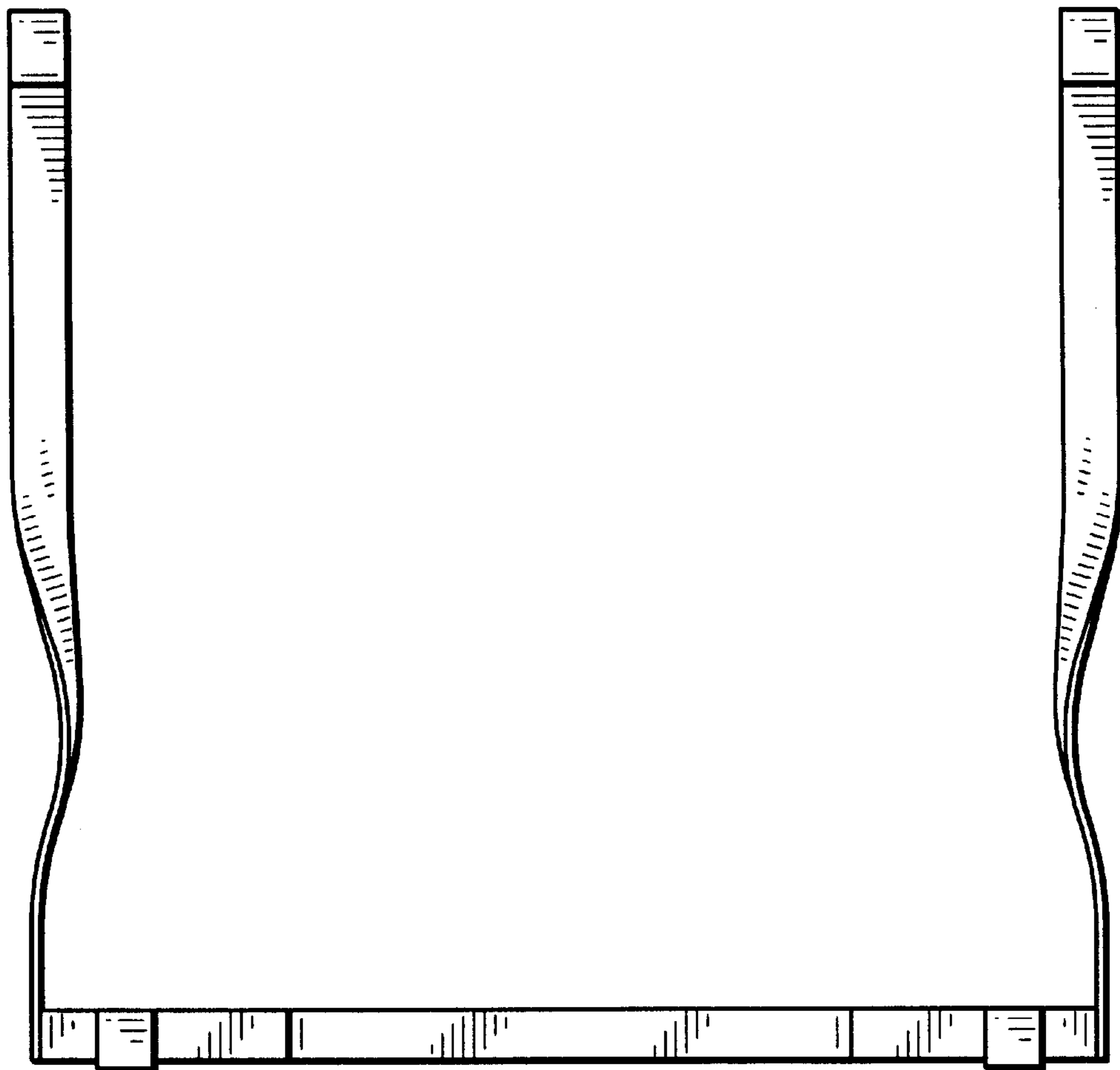


Fig. 3

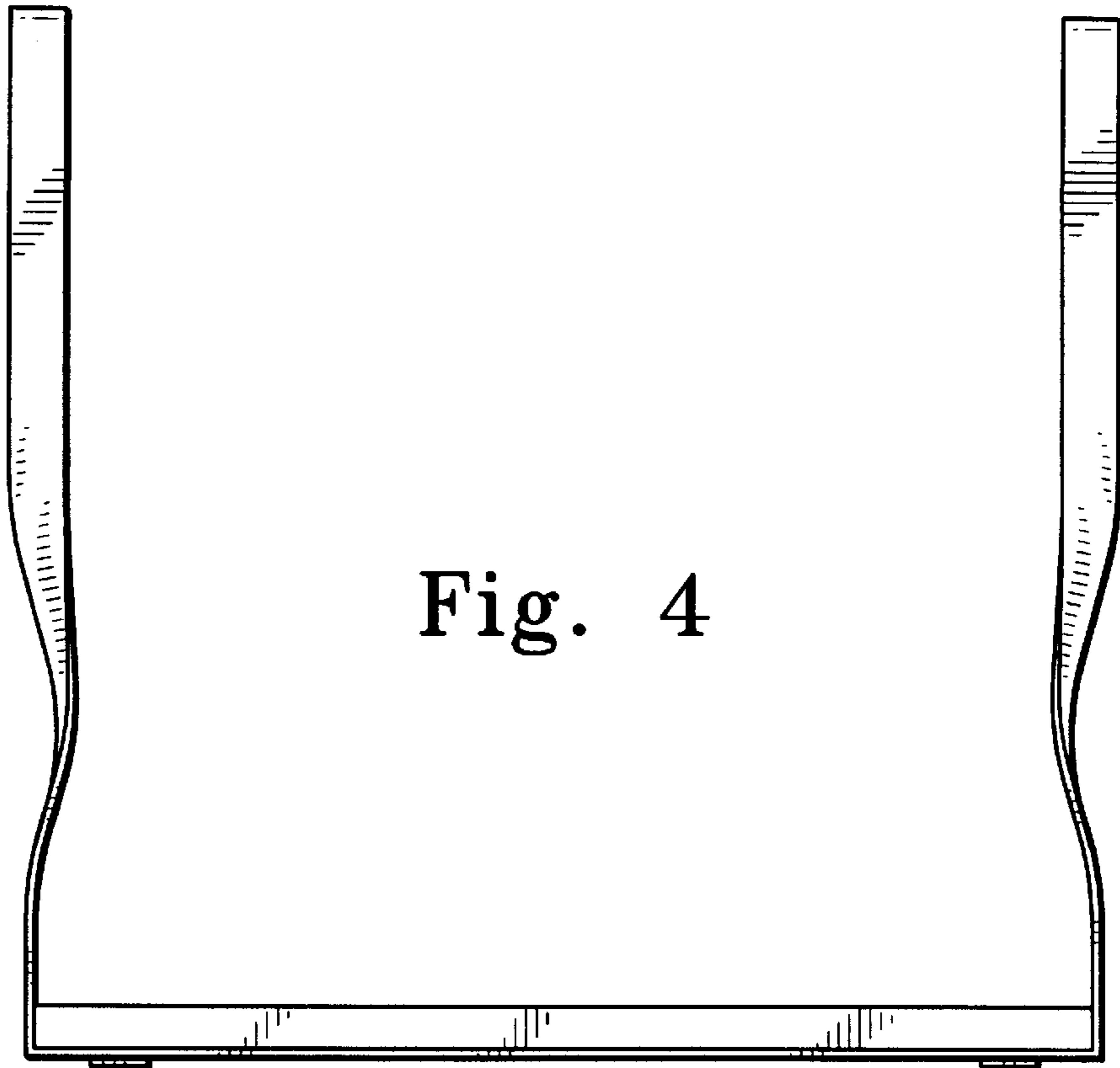


Fig. 4

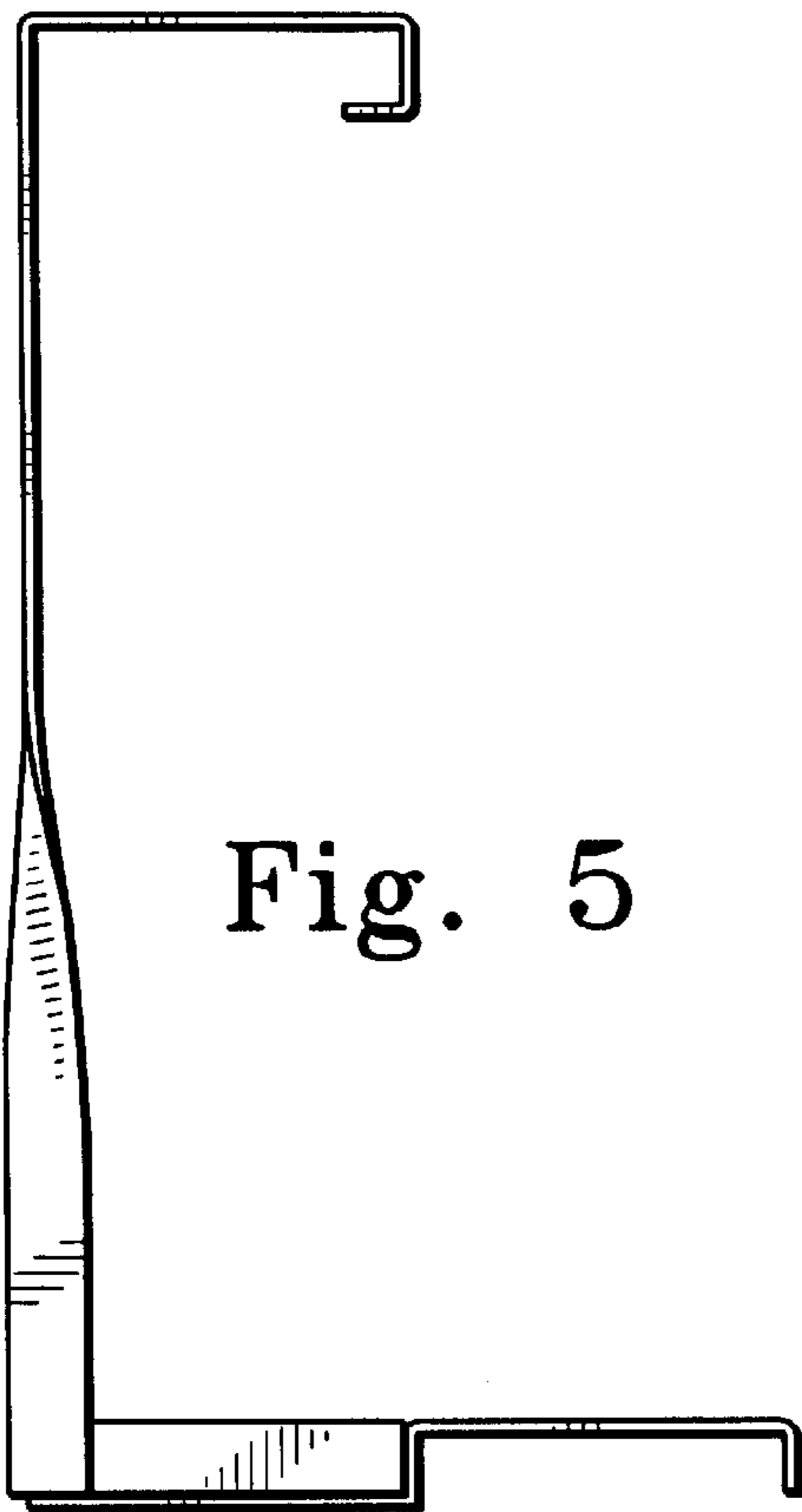


Fig. 5

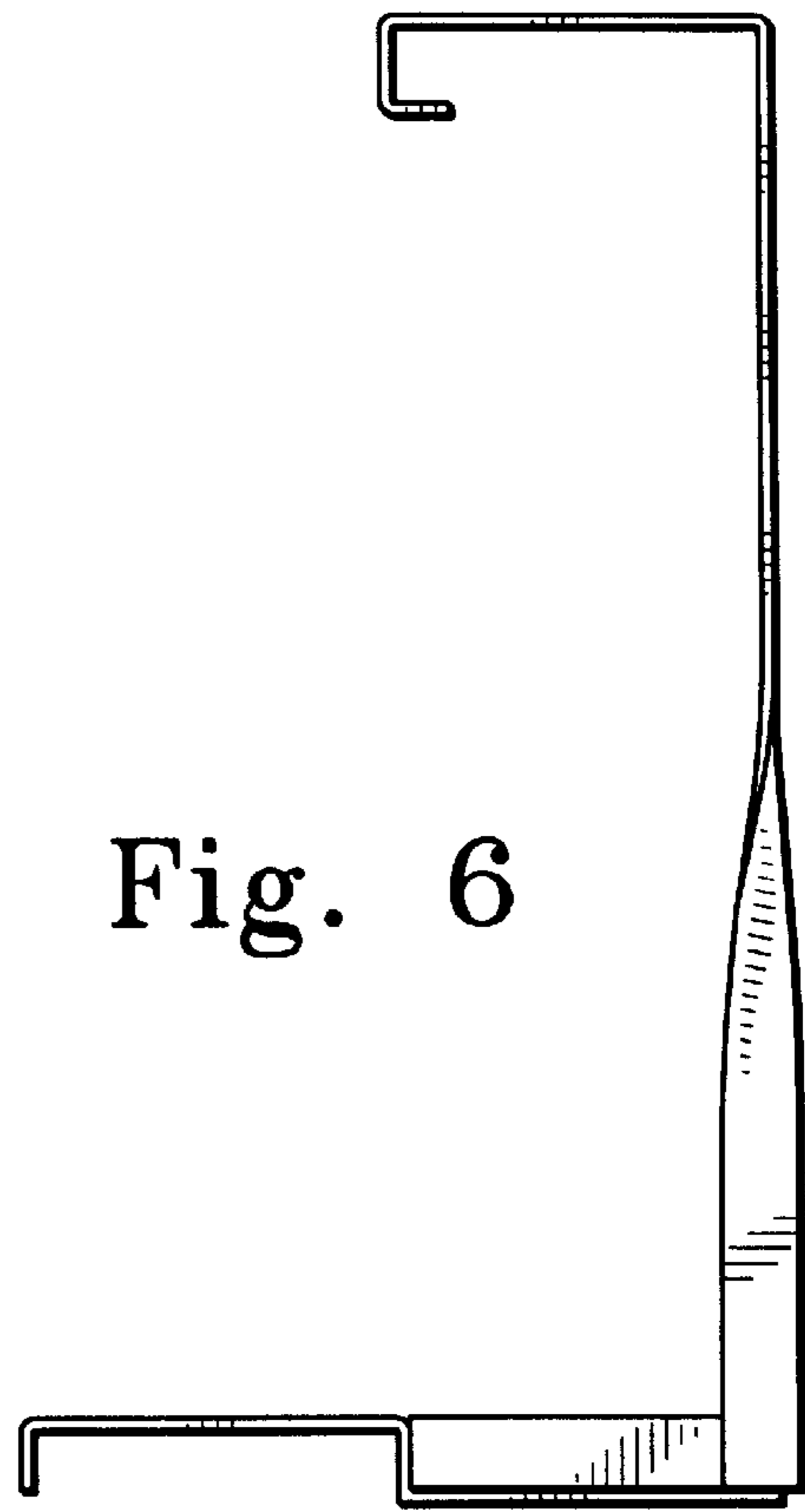


Fig. 6

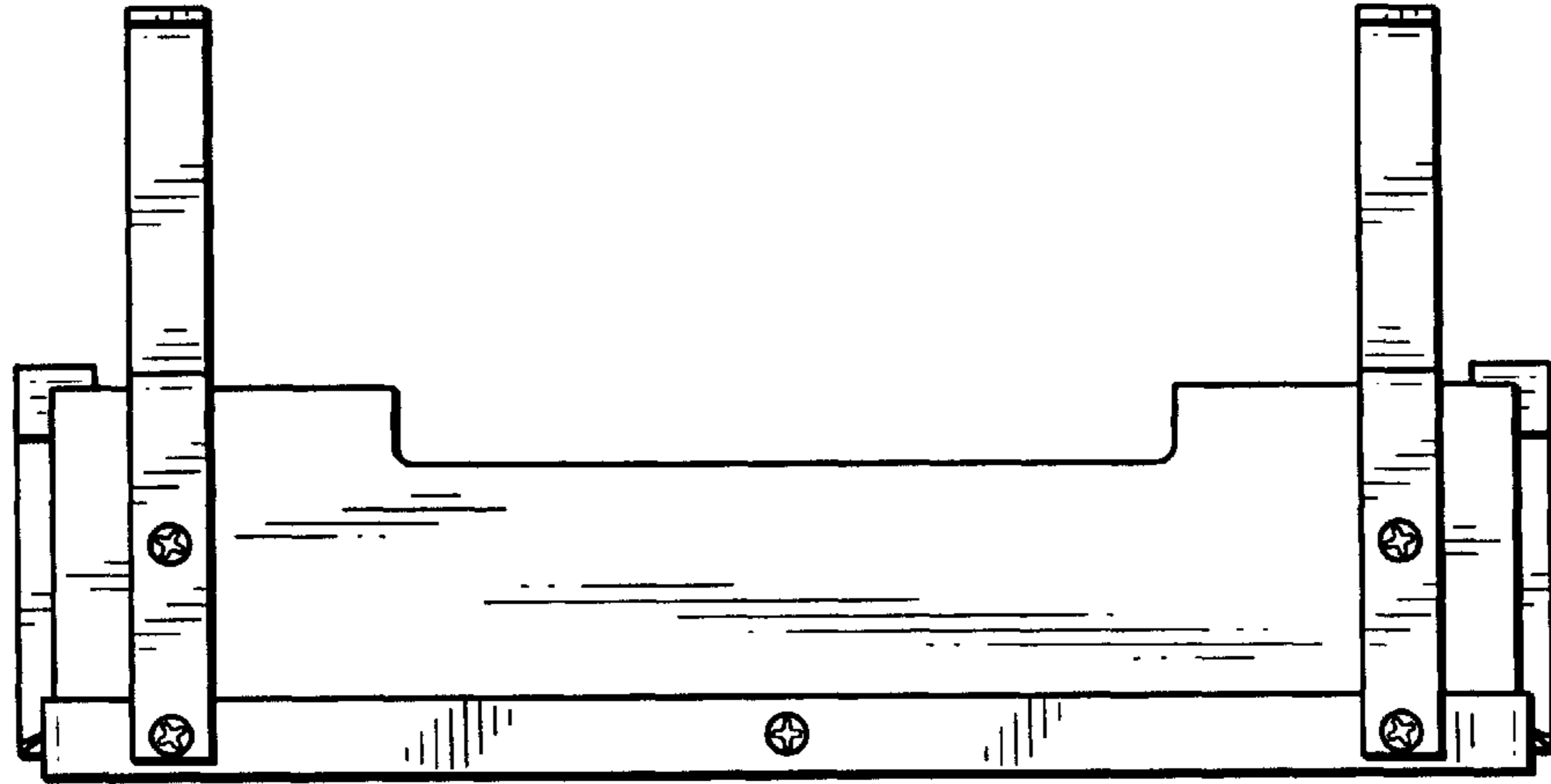


Fig. 7

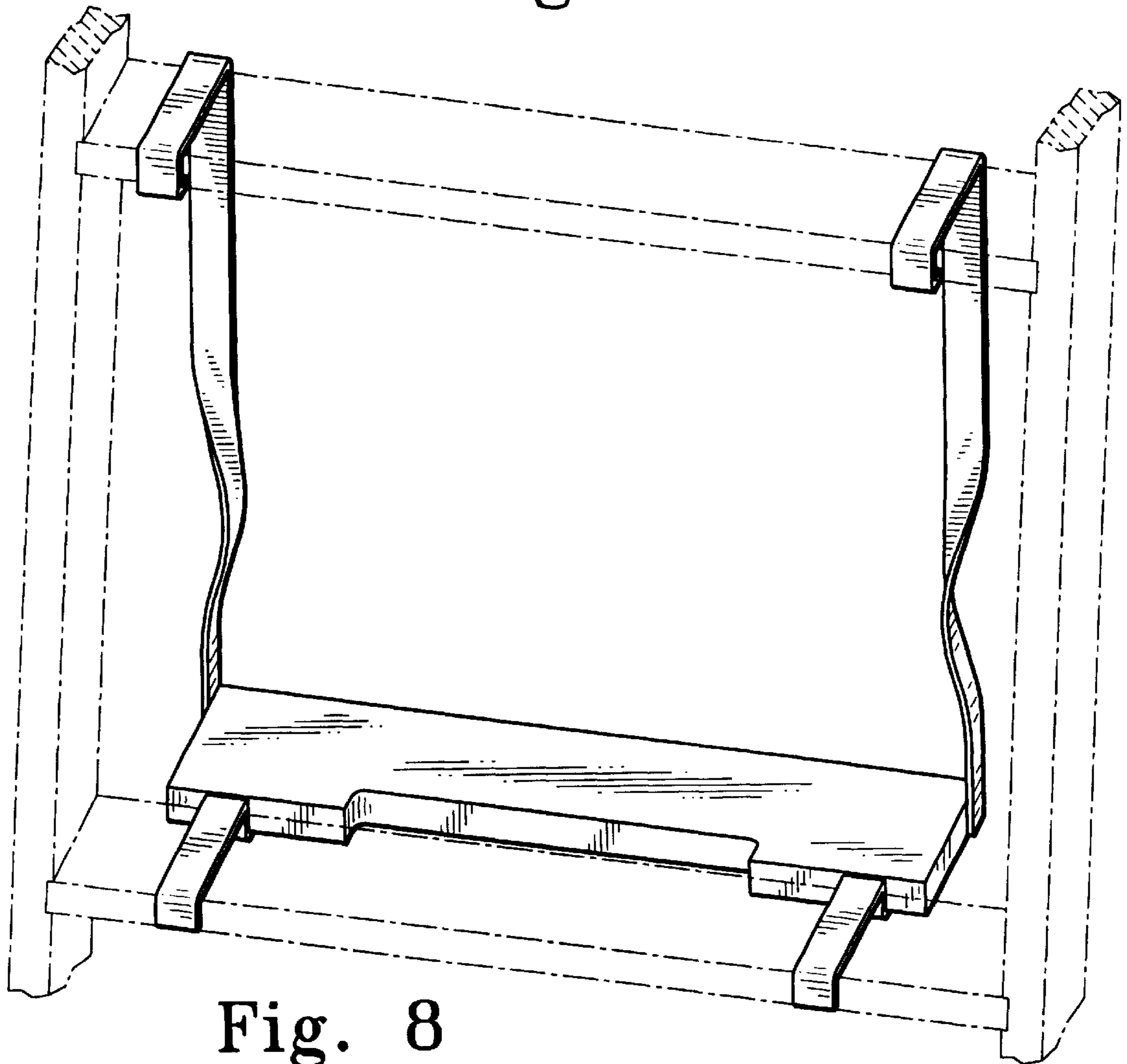


Fig. 8