



US00D443686S

(12) **United States Design Patent**  
**Gonzalez**

(10) **Patent No.:** **US D443,686 S**

(45) **Date of Patent:** **\*\* Jun. 12, 2001**

(54) **BATH AIR MATTRESS CUSHION**

5,974,608 \* 11/1999 Haller et al. .... 5/709

(76) Inventor: **Denise M. Gonzalez**, 5622 Via Campo St., Los Angeles, CA (US) 90022

\* cited by examiner

(\*\*) Term: **14 Years**

*Primary Examiner*—Louis S. Zarfes

*Assistant Examiner*—Robert A. Delehanty

(74) *Attorney, Agent, or Firm*—Fulwider Patton Lee & Utecht, LLP

(21) Appl. No.: **29/129,894**

(22) Filed: **Sep. 22, 2000**

(57) **CLAIM**

(51) **LOC (7) Cl.** ..... **23-02**

The ornamental design for a bath air mattress cushion, as shown.

(52) **U.S. Cl.** ..... **D23/304; D6/595**

(58) **Field of Search** ..... D23/278, 280.3, D23/303–307; 4/546, 578.1, 581; D6/595–597, 599, 604–606; D12/128, 133; 5/419, 655.3, 656, 657

**DESCRIPTION**

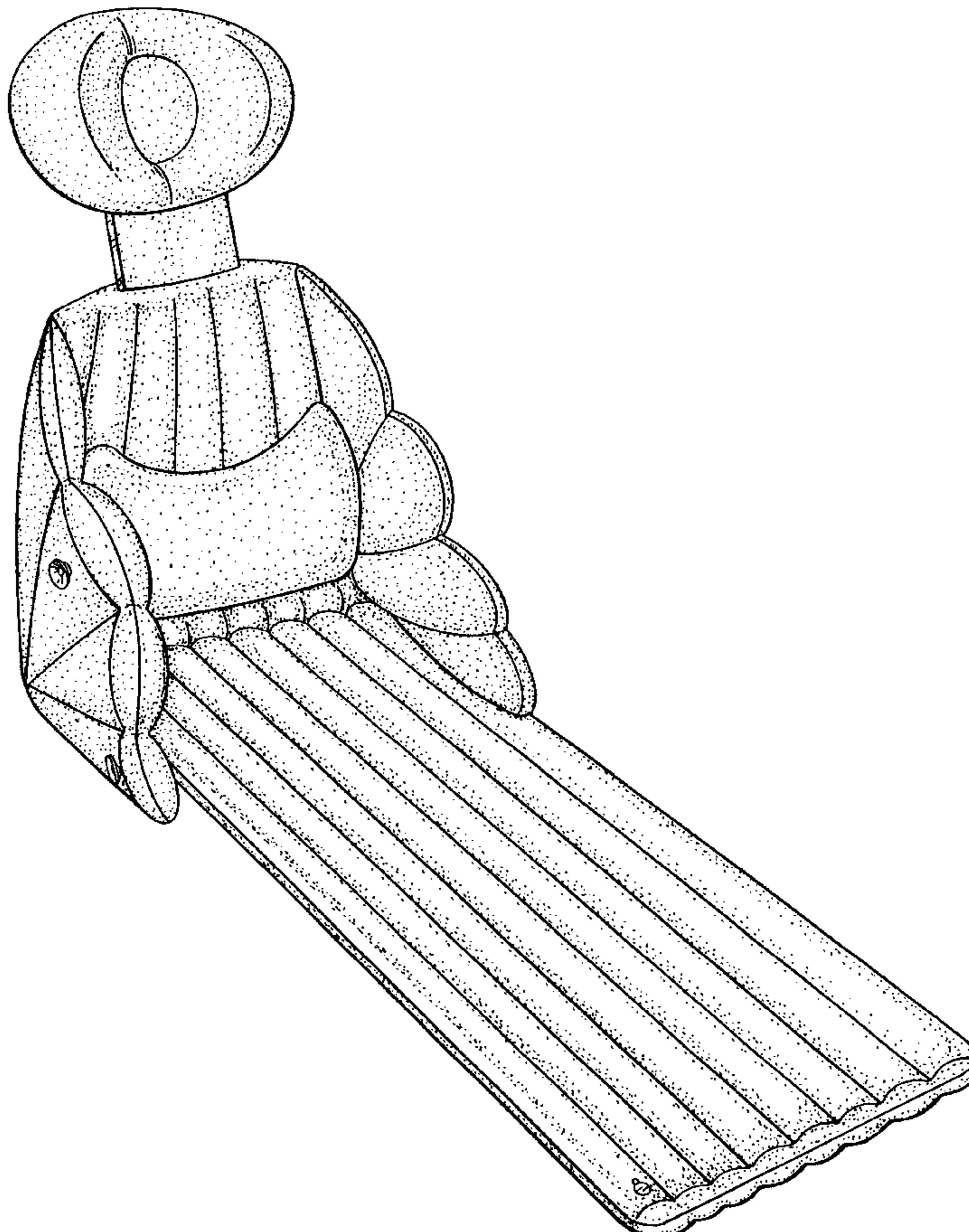
FIG. 1 is a front perspective view of a bath air mattress cushion showing my new design in a folded configuration; FIG. 2 is a top plan view thereof in a flat configuration; FIG. 3 is a bottom plan view thereof; FIG. 4 is a left side elevational view thereof, of which the right side elevational view is substantially a mirror image; FIG. 5 is a rear view thereof; FIG. 6 is a front view thereof; FIG. 7 is a front perspective view of a first variant of the bath air mattress cushion of FIG. 1; and, FIG. 8 is a front perspective view of a second variant of the bath air mattress cushion of FIG. 1.

(56) **References Cited**

**U.S. PATENT DOCUMENTS**

D. 131,142	*	1/1942	Bostrom	.....	D6/596
D. 259,274	*	5/1981	Humes	.....	D23/278 X
D. 277,917	*	3/1985	Slakman	.....	D6/604
D. 300,694	*	4/1989	Krok	.....	D6/604 X
D. 314,879	*	2/1991	Painter	.....	D6/597
D. 315,838	*	4/1991	Penrod	.....	D6/604 X
D. 419,495	*	1/2000	Muhanna	.....	D12/133
2,582,439	*	11/1952	Kavanagh	.....	4/575.1 X
3,740,095	*	6/1973	Nail	.....	297/452.41

**1 Claim, 6 Drawing Sheets**



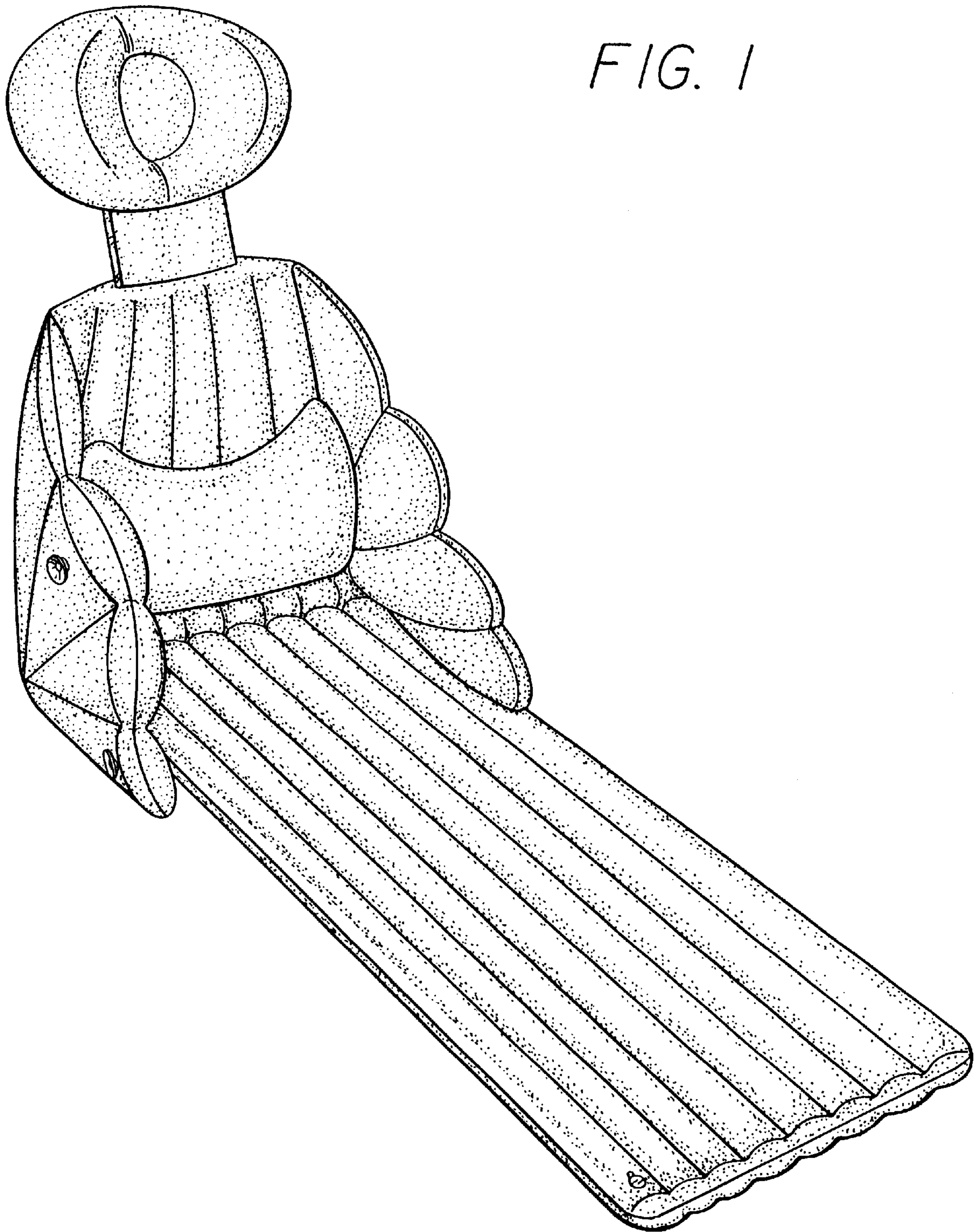


FIG. 2

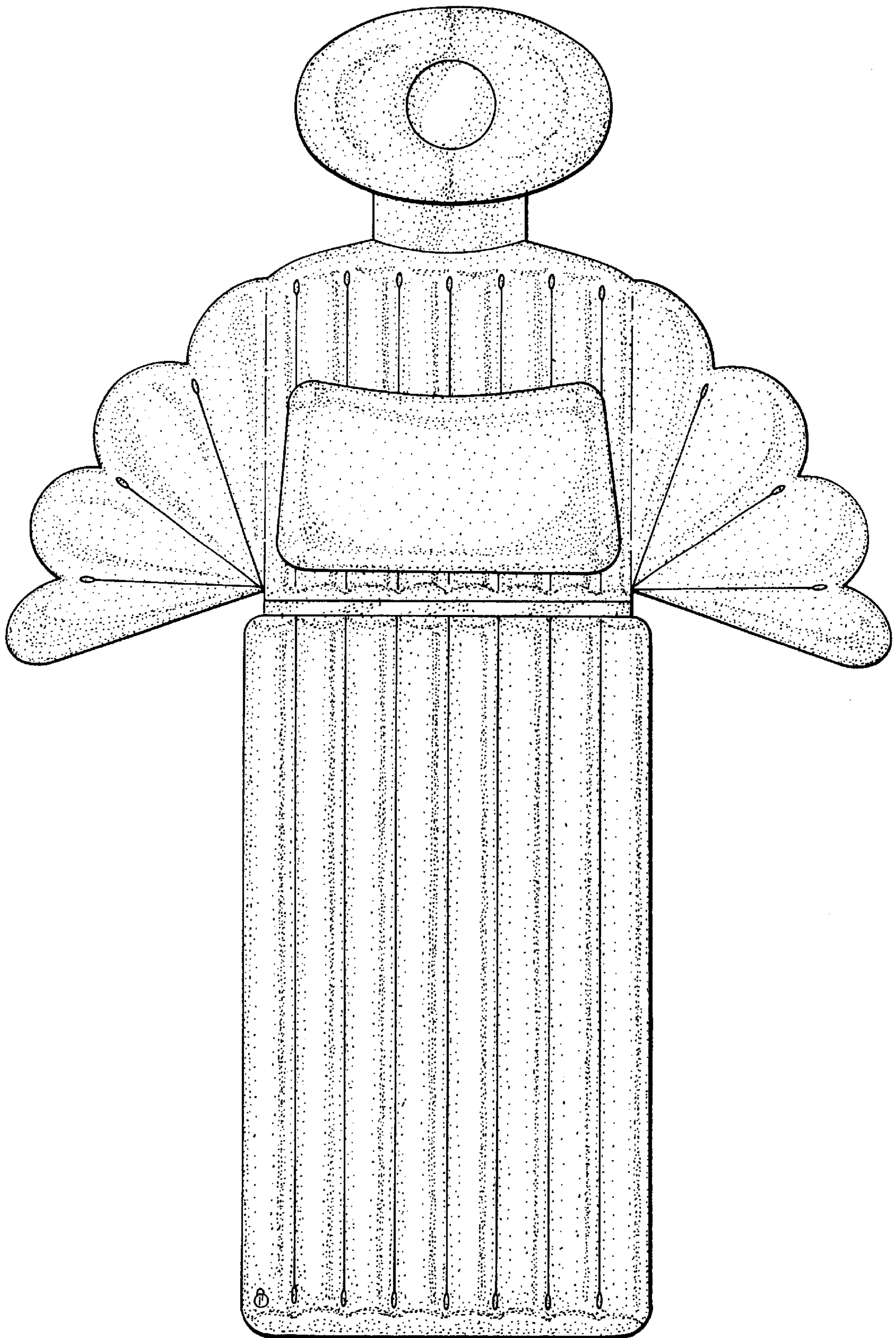


FIG. 3

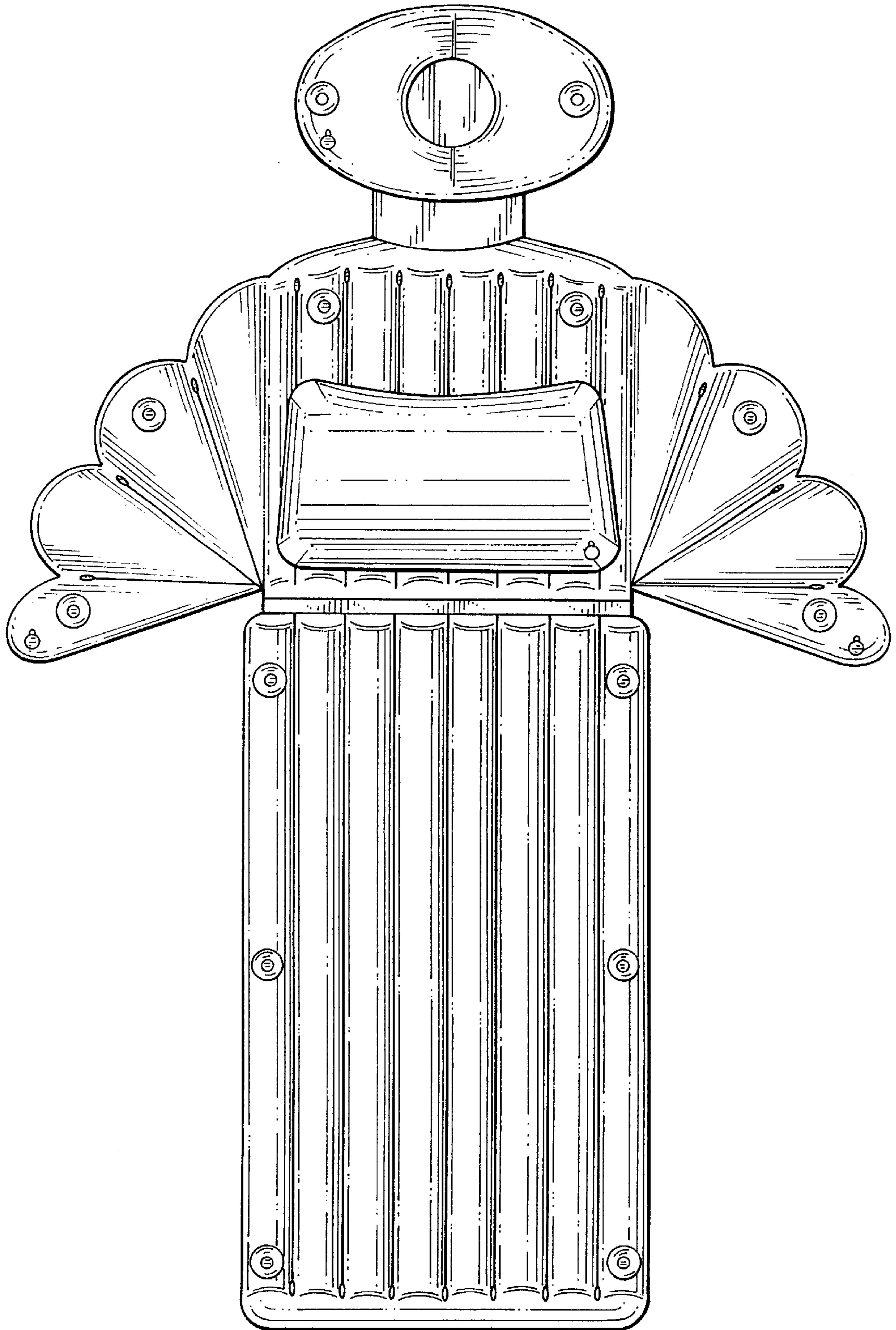


FIG. 4

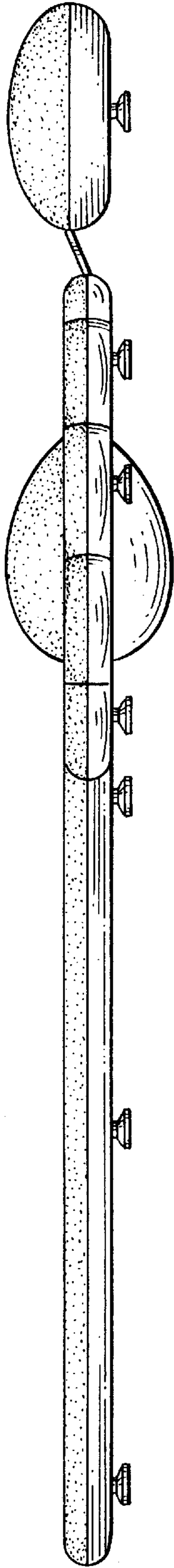


FIG. 5

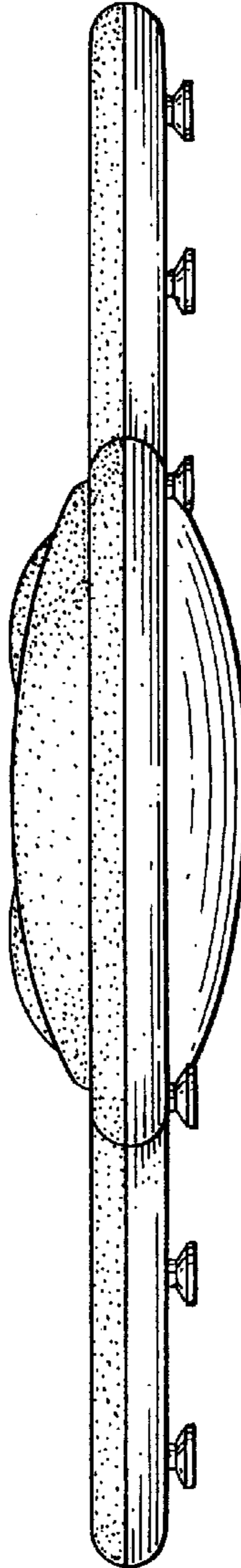


FIG. 6

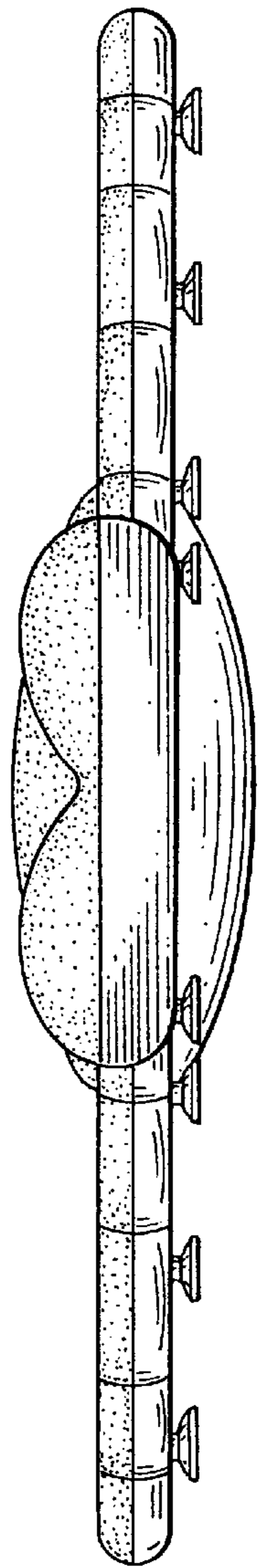


FIG. 7

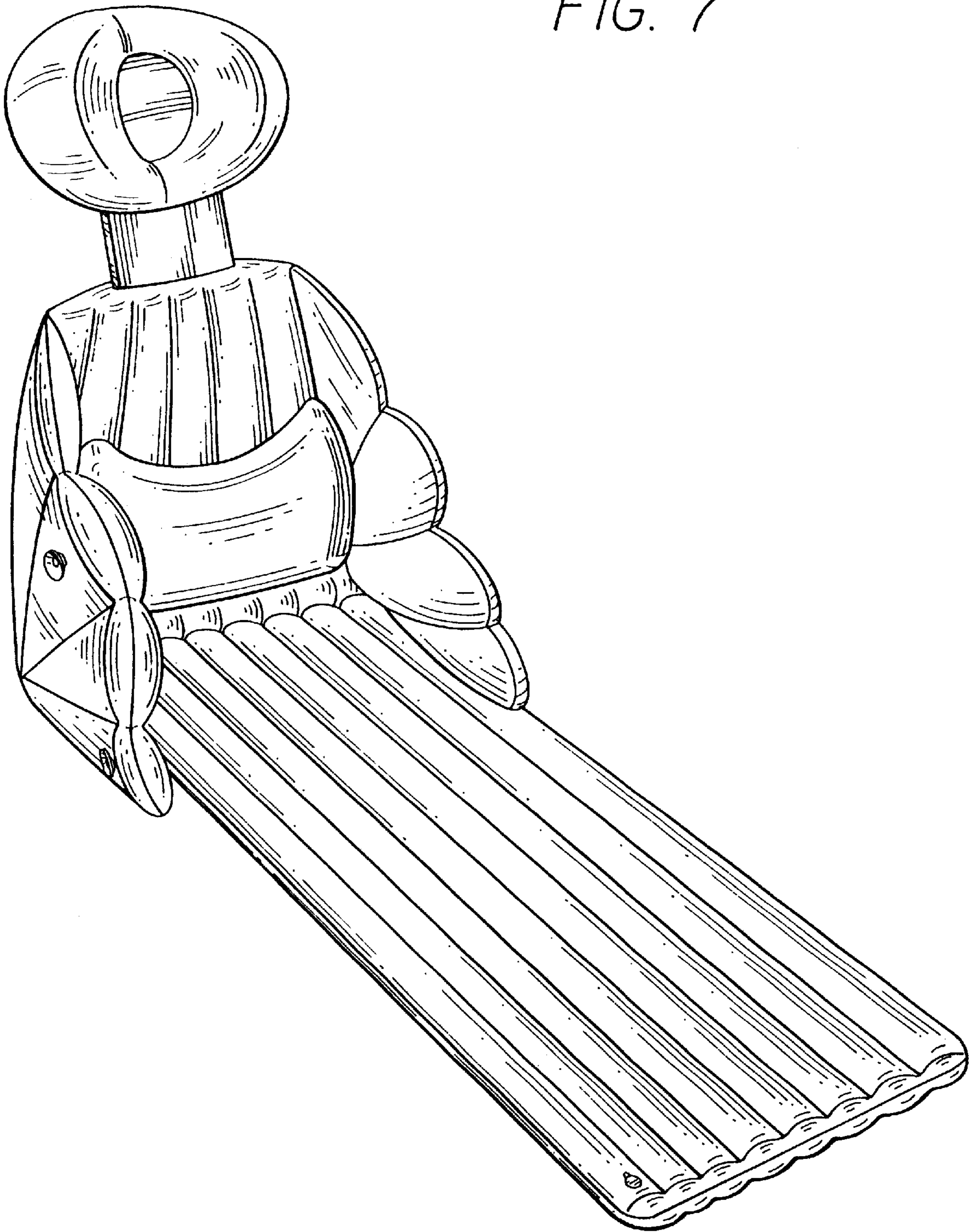


FIG. 8

