



US00D443683S

(12) **United States Design Patent**  
**Freeman**

(10) **Patent No.:** **US D443,683 S**

(45) **Date of Patent:** **\*\* Jun. 12, 2001**

(54) **MULTI-FACETED SINK**

(76) **Inventor:** **William D. Freeman**, 13815 Kleberg Rd., Dallas, TX (US) 75253

(\*\*) **Term:** **14 Years**

(21) **Appl. No.:** **29/126,959**

(22) **Filed:** **Jul. 26, 2000**

(51) **LOC (7) Cl.** ..... **23-02**

(52) **U.S. Cl.** ..... **D23/293.1**

(58) **Field of Search** ..... D23/270-274,  
D23/285-292, 293.1, 303, 308; 4/619, 630-632,  
637-640, 643, 660; D9/428, 549, 551,  
564

(56) **References Cited**

**U.S. PATENT DOCUMENTS**

- D. 222,586 \* 11/1971 Hives ..... D23/293.1
- D. 232,093 \* 7/1974 Schroek ..... D23/284
- D. 237,617 \* 11/1975 McIntosh ..... D23/284

- D. 346,853 \* 5/1994 Gruber ..... D23/293.1
- D. 389,901 \* 1/1998 Kohler, Jr. et al. .... D23/284
- D. 412,204 \* 7/1999 Slothower et al. .... D23/284

\* cited by examiner

*Primary Examiner*—Louis S. Zarfaz

*Assistant Examiner*—Robert A. Delehanty

(74) *Attorney, Agent, or Firm*—Stephen J. Walder, Jr.; Duke W. Yee

(57) **CLAIM**

The ornamental design for a multi-faceted sink, as shown and described.

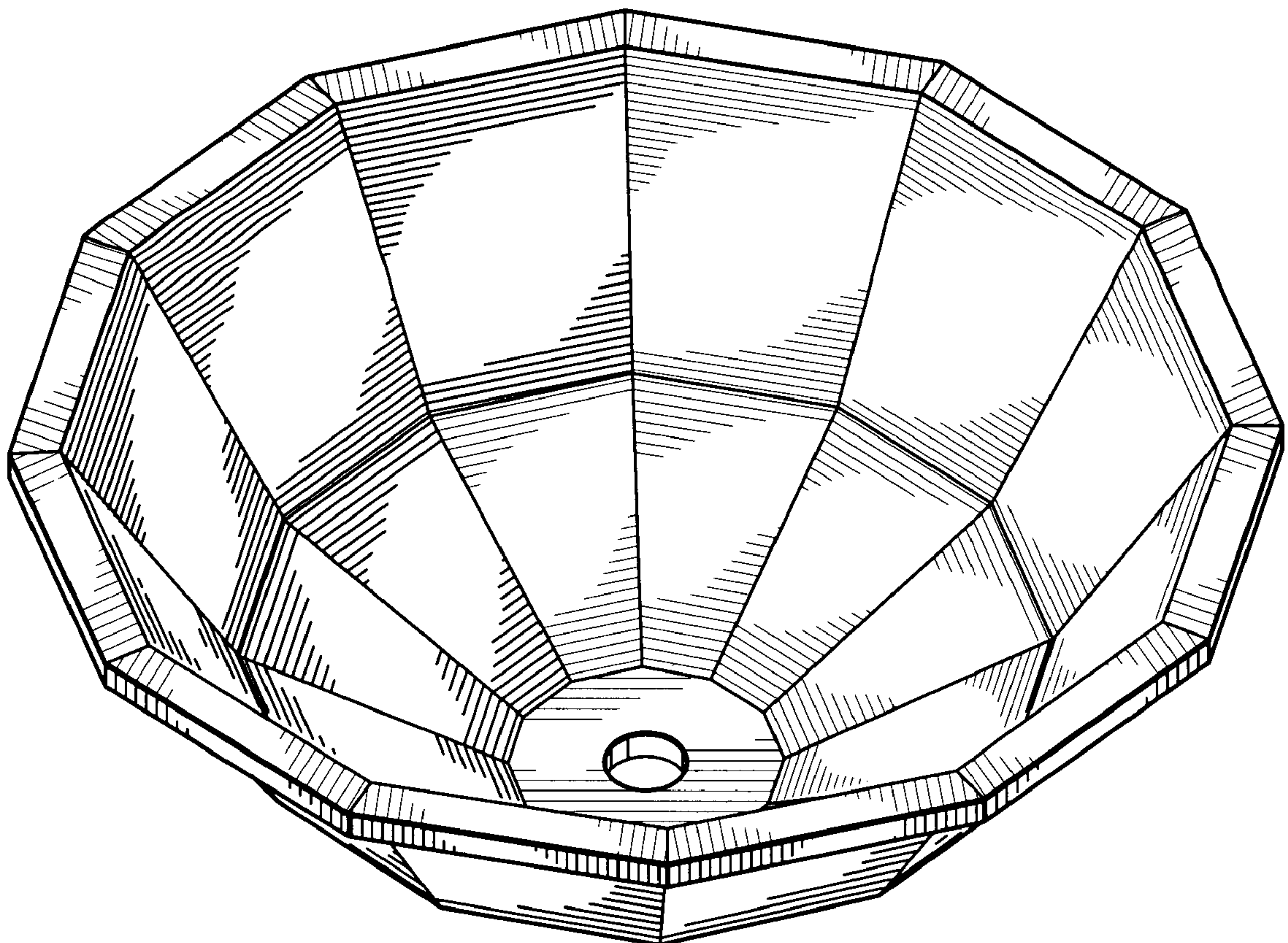
**DESCRIPTION**

FIG. 1 is a perspective view of the multi-faceted sink of the present invention;

FIG. 2 is a top view of the multi-faceted sink of the present invention; and,

FIG. 3 is a cross-sectional view of the multi-faceted sink of the present invention.

**1 Claim, 1 Drawing Sheet**



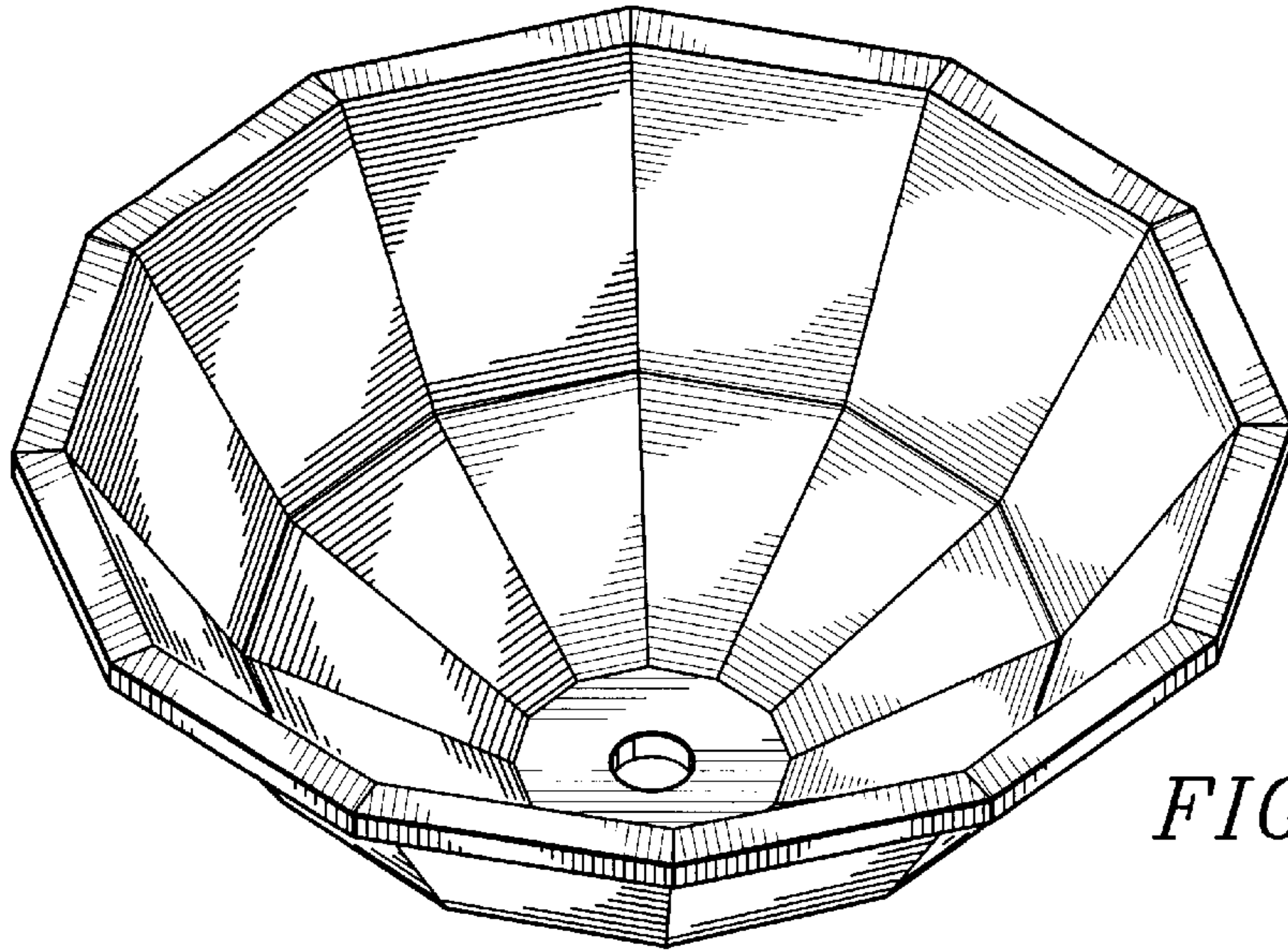


FIG. 1

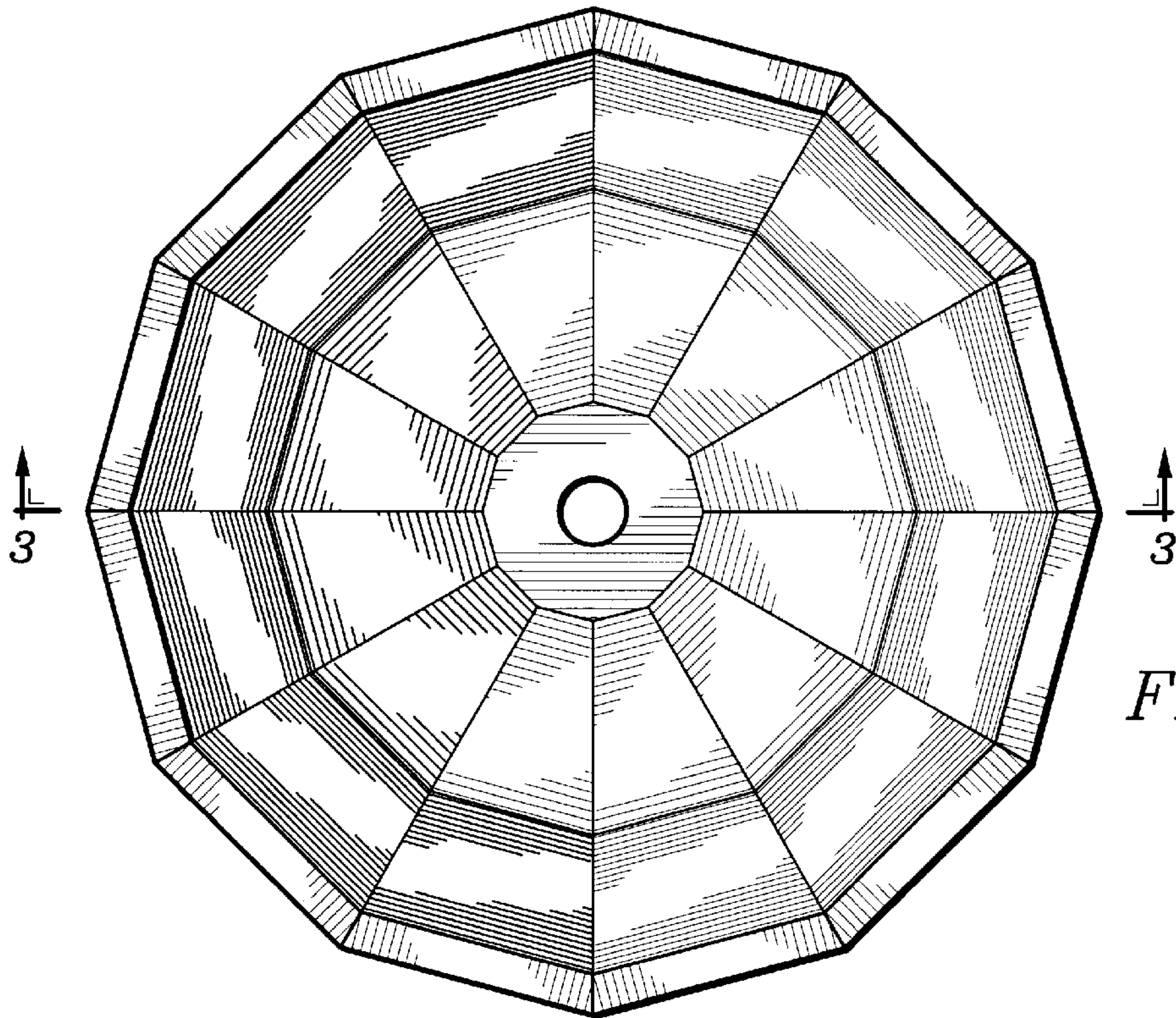


FIG. 2

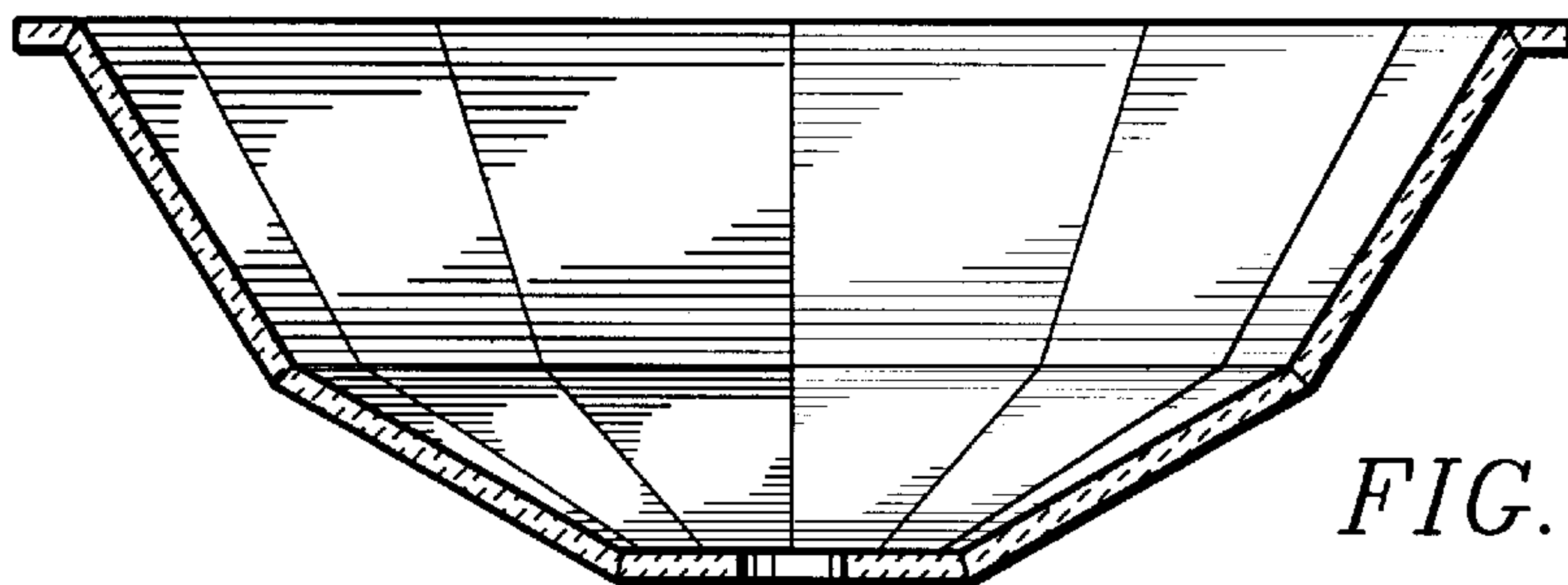


FIG. 3