



US00D443681S

(12) **United States Design Patent**  
**Primucci et al.**

(10) **Patent No.:** **US D443,681 S**

(45) **Date of Patent:** **\*\* Jun. 12, 2001**

(54) **COMBINED THREE-PIECE TUB AND SURROUND**

(75) Inventors: **Joseph Primucci**, Toronto (CA); **John Charles Cook**, Ventura, CA (US)

(73) Assignee: **Mirolin Industries Corporation (CA)**

(\*\*) Term: **14 Years**

(21) Appl. No.: **29/123,328**

(22) Filed: **May 16, 2000**

(51) **LOC (7) Cl.** ..... **23-02**

(52) **U.S. Cl.** ..... **D23/277; D23/283**

(58) **Field of Search** ..... **D23/275-279,**  
**D23/280.1, 280.2, 280.3, 280.4, 283, 303-307;**  
**4/538, 556, 557, 558, 584, 596, 599, 600,**  
**601, 607, 608, 612**

(56) **References Cited**

**U.S. PATENT DOCUMENTS**

- D. 181,166 \* 10/1957 Schiffman ..... D23/306
- D. 219,976 \* 2/1971 Seymour ..... D23/275
- D. 225,739 \* 1/1973 Seymour ..... D23/275

D. 233,932 \* 12/1974 Seymour ..... D23/275

D. 333,512 \* 2/1993 Kohler, Jr. et al. .... D23/275

D. 379,216 \* 5/1997 Salach et al. .... D23/277

D. 379,649 \* 6/1997 Eeckhoudt ..... D23/283

\* cited by examiner

*Primary Examiner*—Louis S. Zarfes

*Assistant Examiner*—Robert A. Delehanty

(74) *Attorney, Agent, or Firm*—Carlson, Gaskey & Olds, P.C.

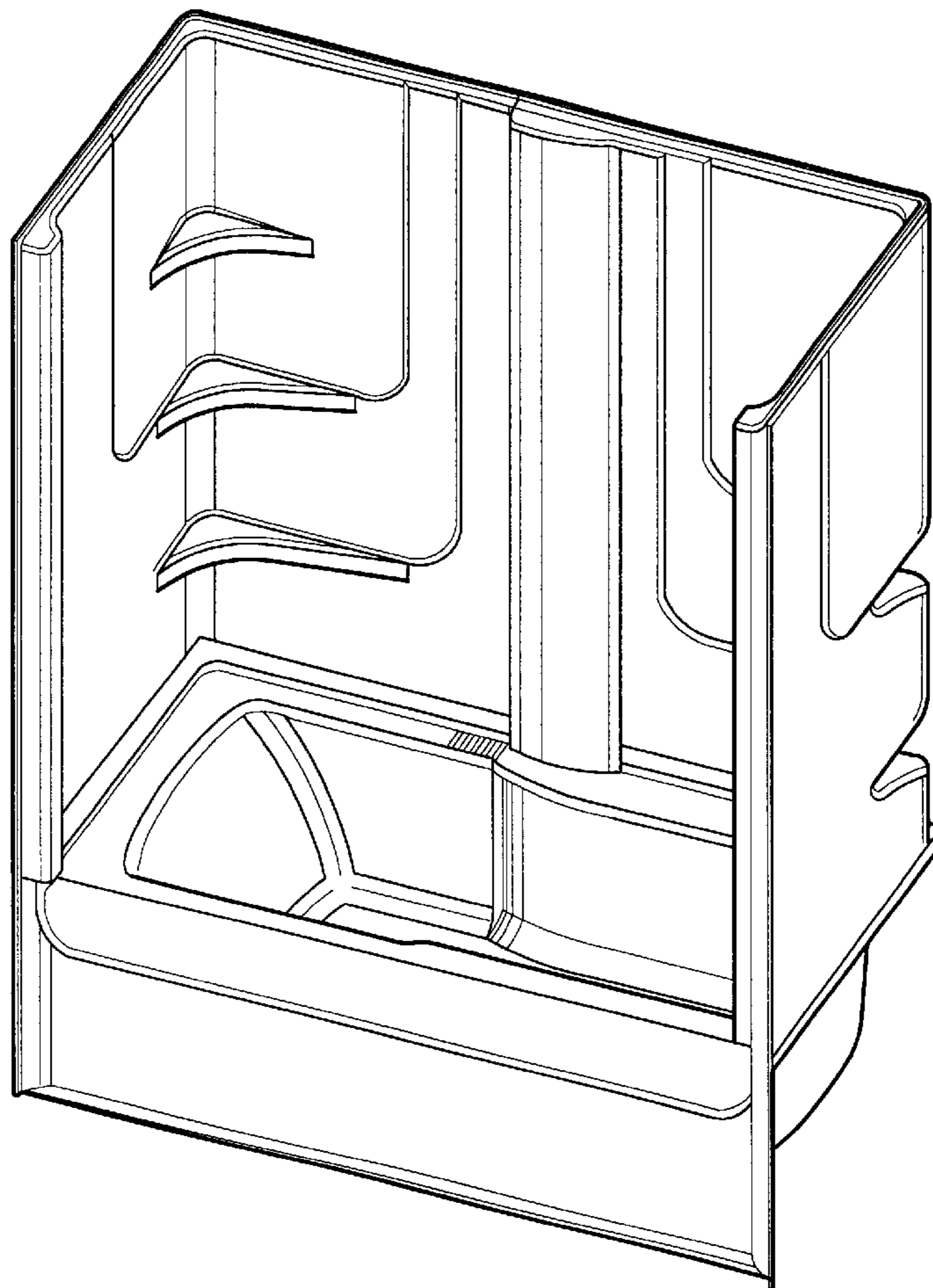
(57) **CLAIM**

I claim the ornamental design for a combined three-piece tub and surround, as shown and described.

**DESCRIPTION**

FIG. 1 is a front, top perspective view of a combined three-piece tub and surround showing my new design; FIG. 2 is a top plan view thereof; FIG. 3 is a front elevation view thereof; FIG. 4 is a right side view thereof; FIG. 5 is a rear elevation view thereof; and, FIG. 6 is a left side view thereof.

**1 Claim, 3 Drawing Sheets**



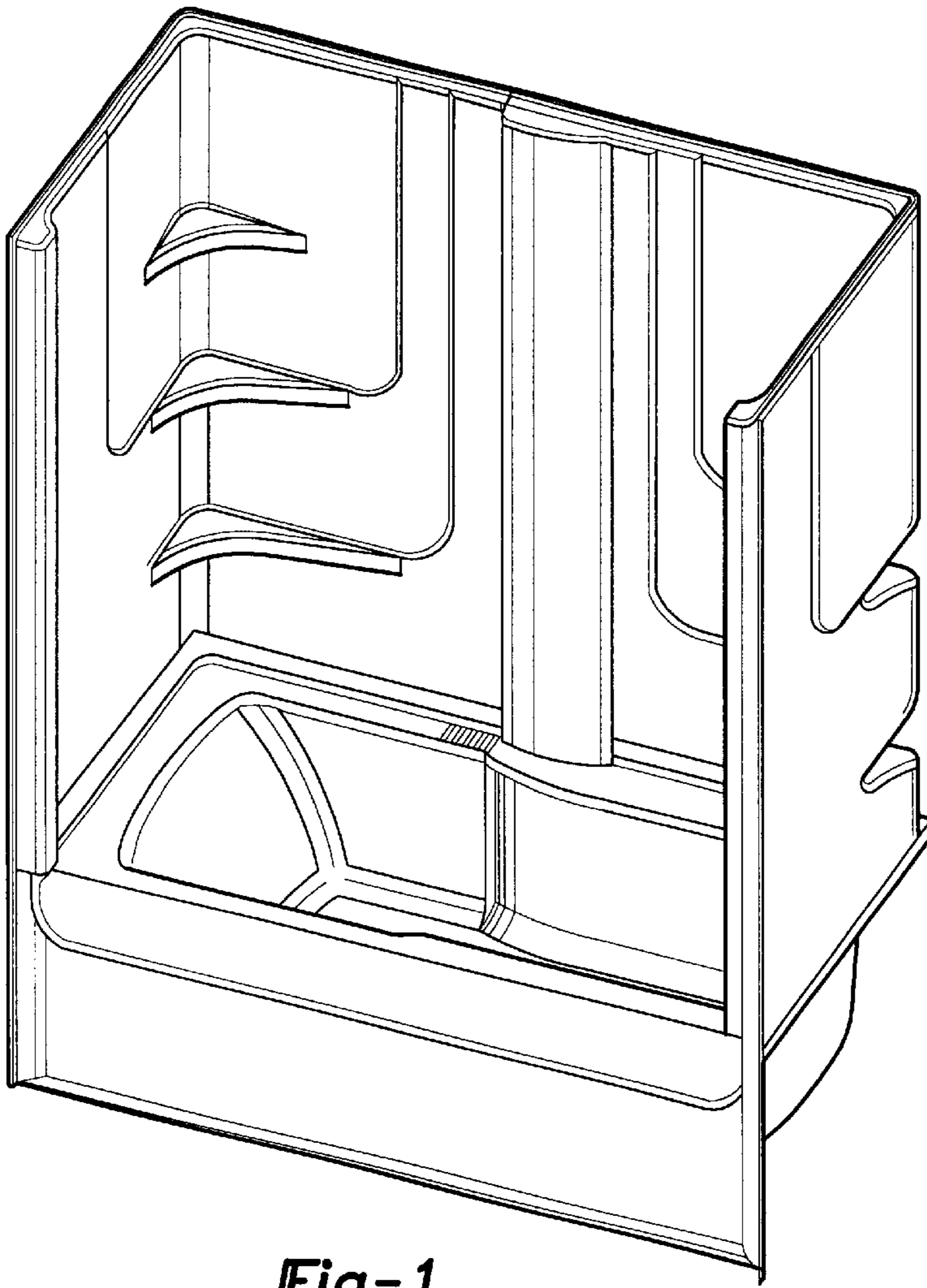


Fig-1

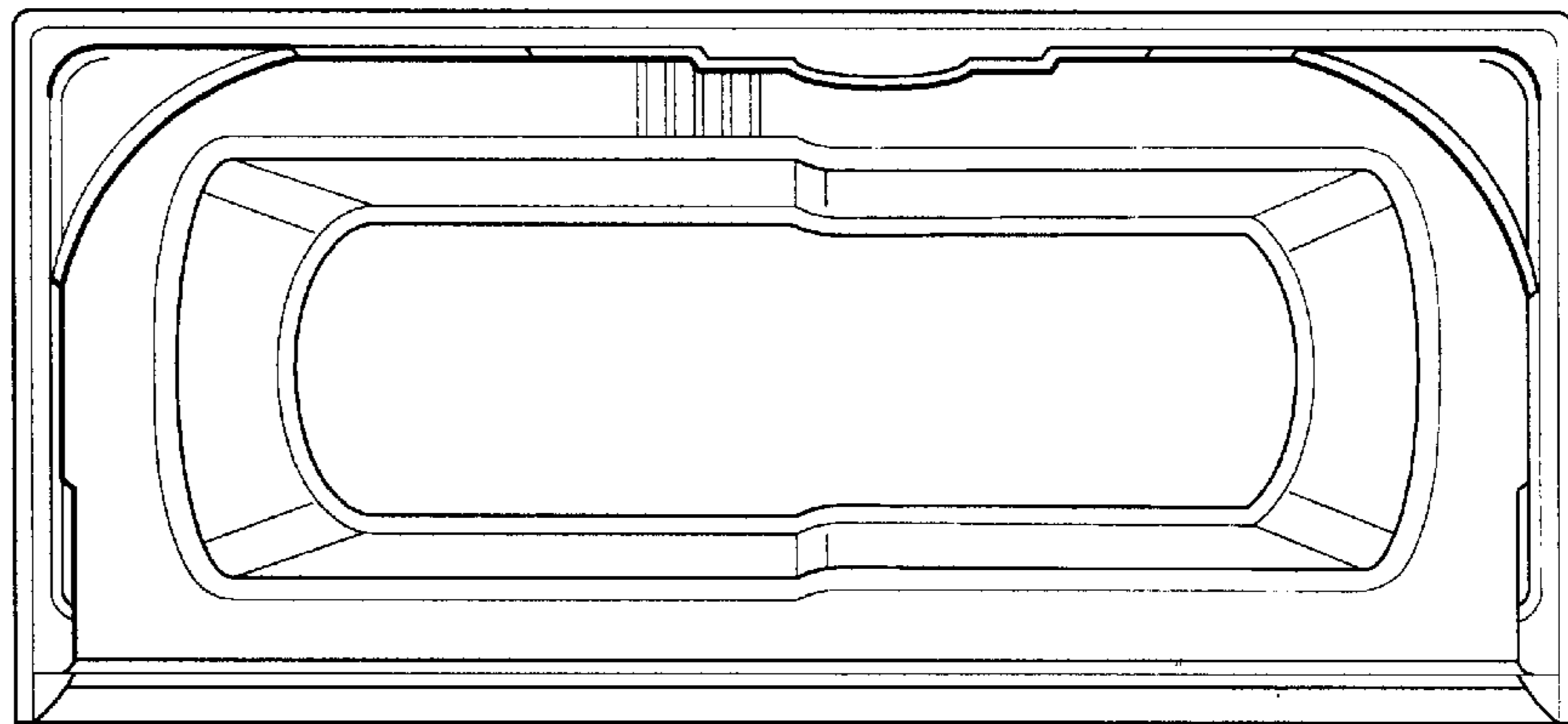


Fig-2

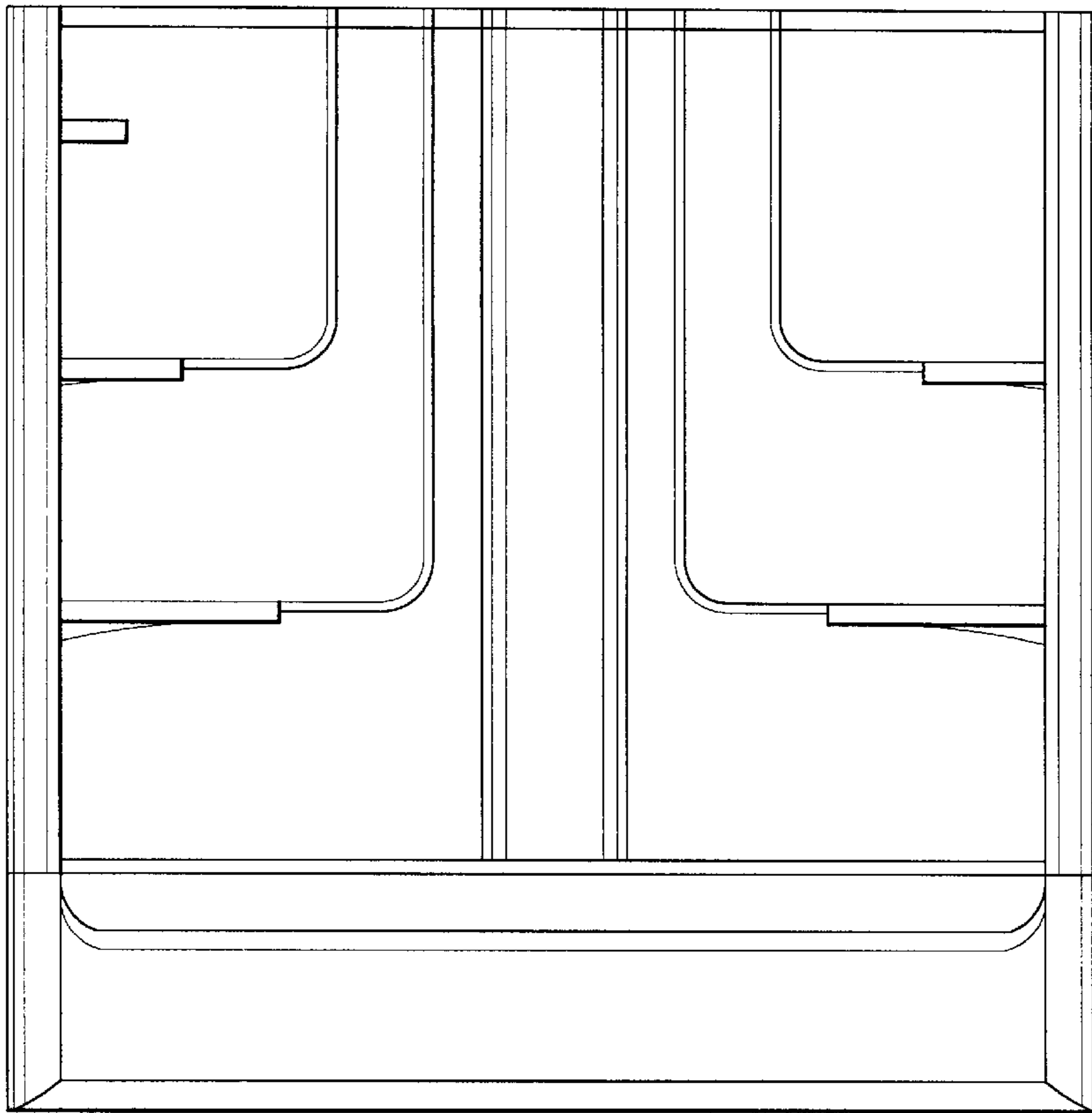


Fig-3

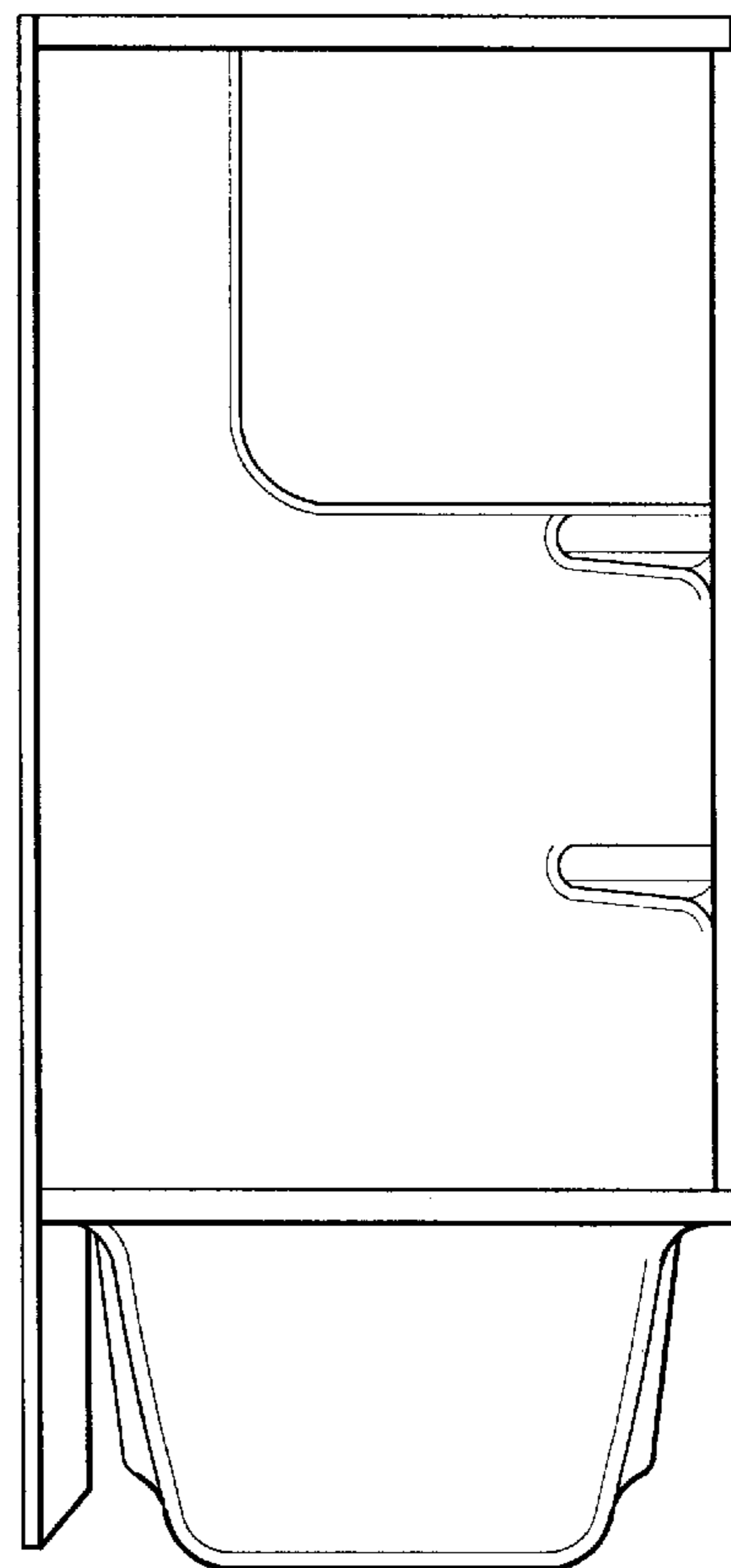


Fig-4

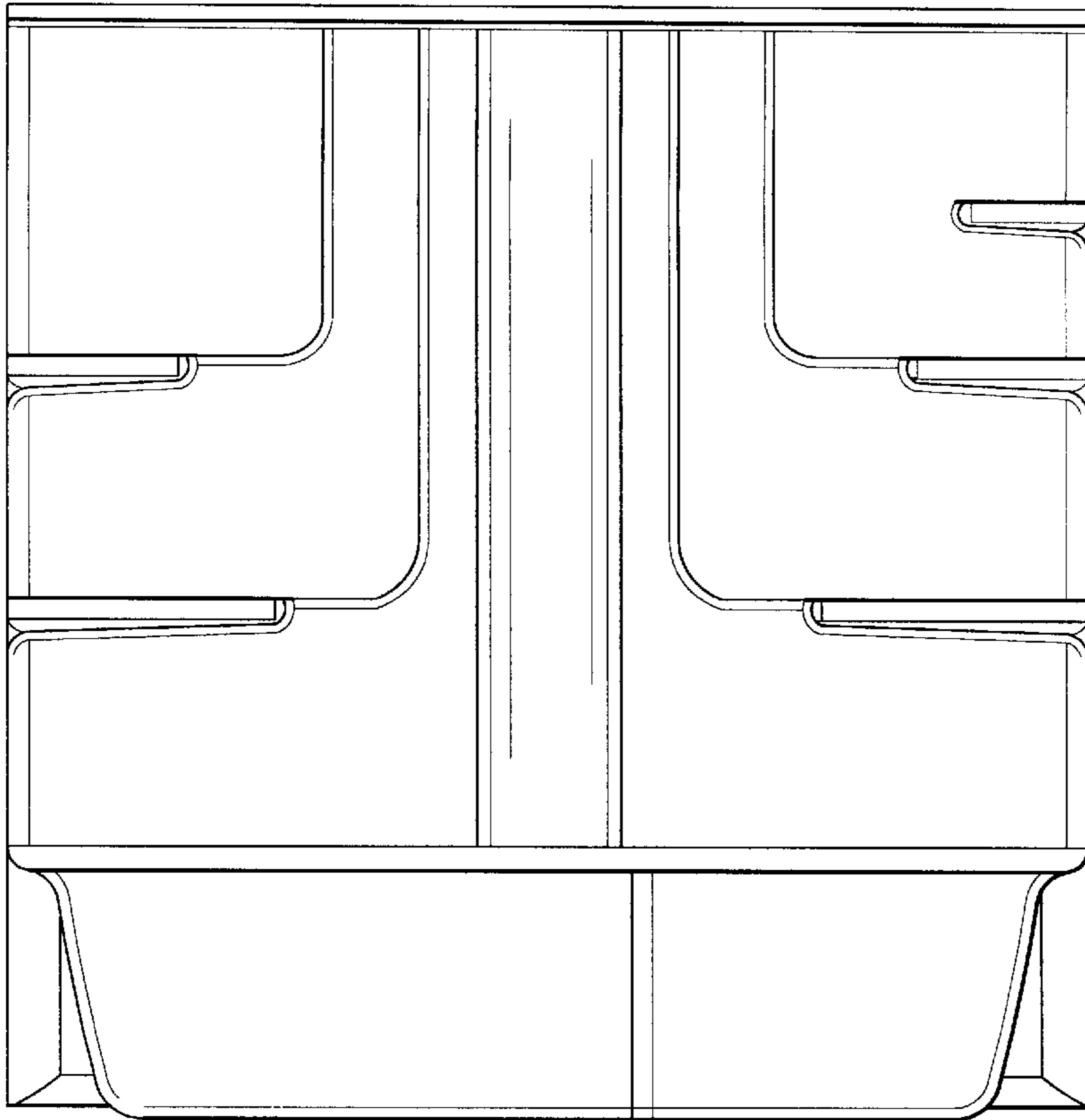


Fig-5

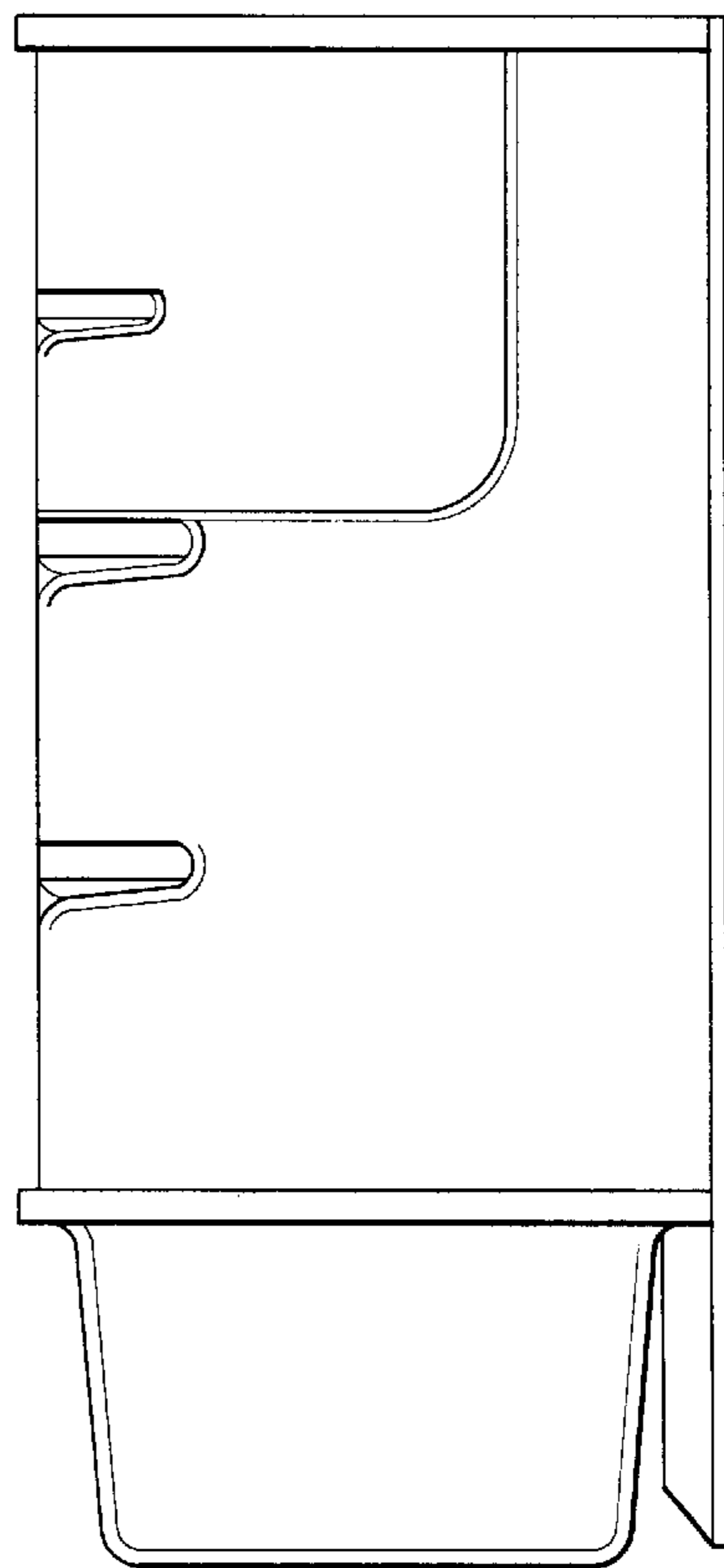


Fig-6